



US00D901262S

(12) **United States Design Patent**
Takabu

(10) **Patent No.:** **US D901,262 S**

(45) **Date of Patent:** **** Nov. 10, 2020**

(54) **PEELER BLADE**

10,085,583 B2 * 10/2018 Takabu B26D 3/28
2017/0311745 A1 * 11/2017 Takabu B26D 3/28
2017/0325615 A1 * 11/2017 Takabu B26D 3/282

(71) Applicant: **KABUSHIKI KAISYA LEBEN HANBAI**, Kanagawa (JP)

* cited by examiner

(72) Inventor: **Atsushi Takabu**, Kanagawa (JP)

Primary Examiner — Terry A Wallace

(73) Assignee: **KABUSHIKI KAISYA LEBEN HANBI**, Kanagawa (JP)

(74) *Attorney, Agent, or Firm* — Hamre, Schumann, Mueller & Larson, P.C.

(**) Term: **15 Years**

(21) Appl. No.: **29/662,869**

(57) **CLAIM**

(22) Filed: **Sep. 10, 2018**

The ornamental design for a peeler blade, as shown and described.

(30) **Foreign Application Priority Data**

May 14, 2018 (JP) 2018-010431

(51) **LOC (12) Cl.** **07-04**

(52) **U.S. Cl.**

USPC **D7/695**

(58) **Field of Classification Search**

USPC D7/693-695, 381, 649-652; D8/64-66, D8/70.1, 98-104

CPC .. A47J 17/02; A47J 17/04; A47J 17/00; A47J 17/10; A47J 43/28; B26D 3/283; B26D 2003/286; B26D 2210/02; B26D 1/03; B26B 3/00; B26B 3/04; B26B 3/24

See application file for complete search history.

(56) **References Cited**

U.S. PATENT DOCUMENTS

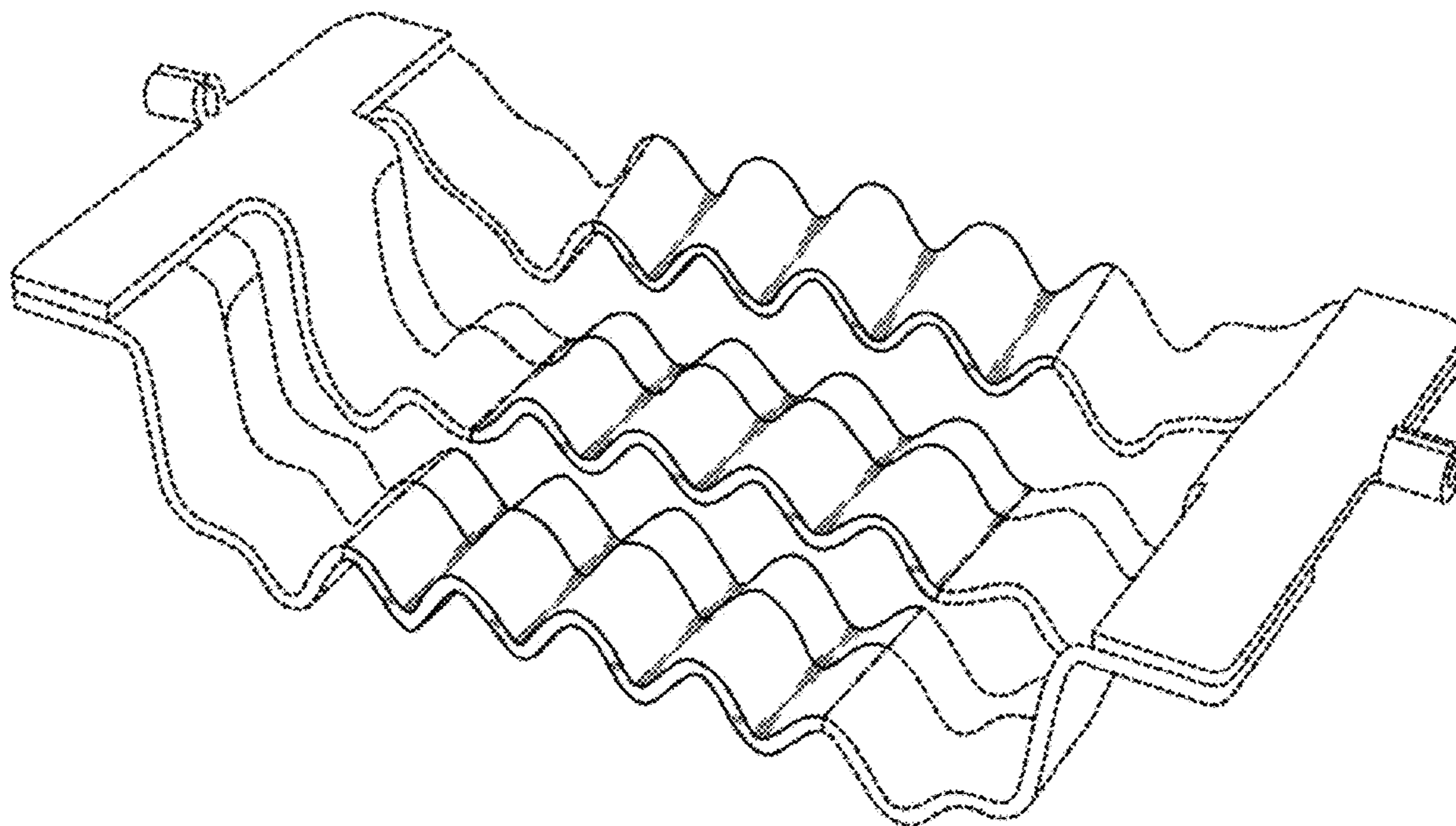
2,079,496 A * 5/1937 Domack A47J 17/02
30/113.3
D781,669 S * 3/2017 Takabu D7/695

DESCRIPTION

FIG. 1 is a perspective view of the peeler blade;
FIG. 2 is a front view of the peeler blade;
FIG. 3 is a rear view of the peeler blade;
FIG. 4 is a top view of the peeler blade;
FIG. 5 is a bottom view of the peeler blade;
FIG. 6 is a left side view of the peeler blade;
FIG. 7 is a right side view of the peeler blade; and,
FIG. 8 is a cross sectional view of the peeler blade taken along line 8-8 of FIG. 2.

The broken lines in the drawings are for illustrative purposes only and form no part of the claimed design.

1 Claim, 8 Drawing Sheets



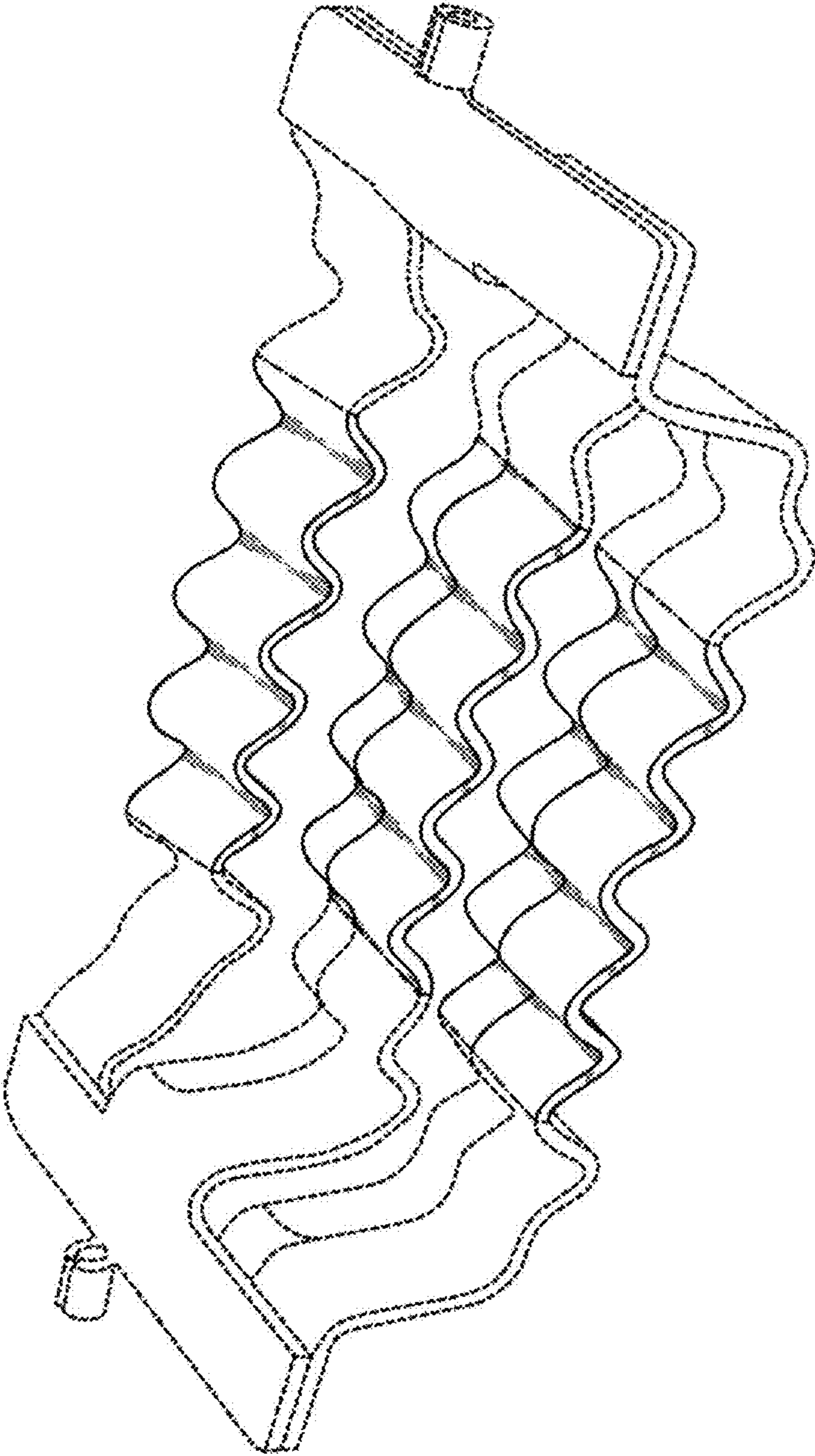


Fig. 1

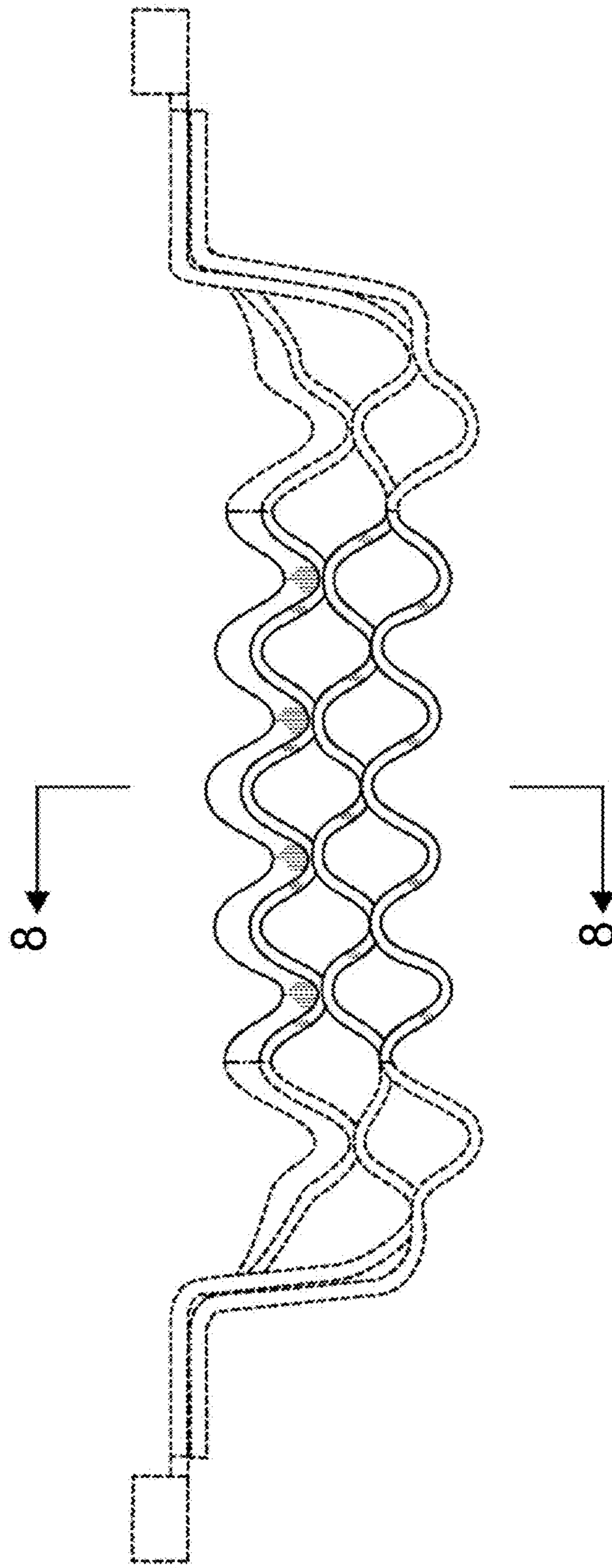


Fig. 2

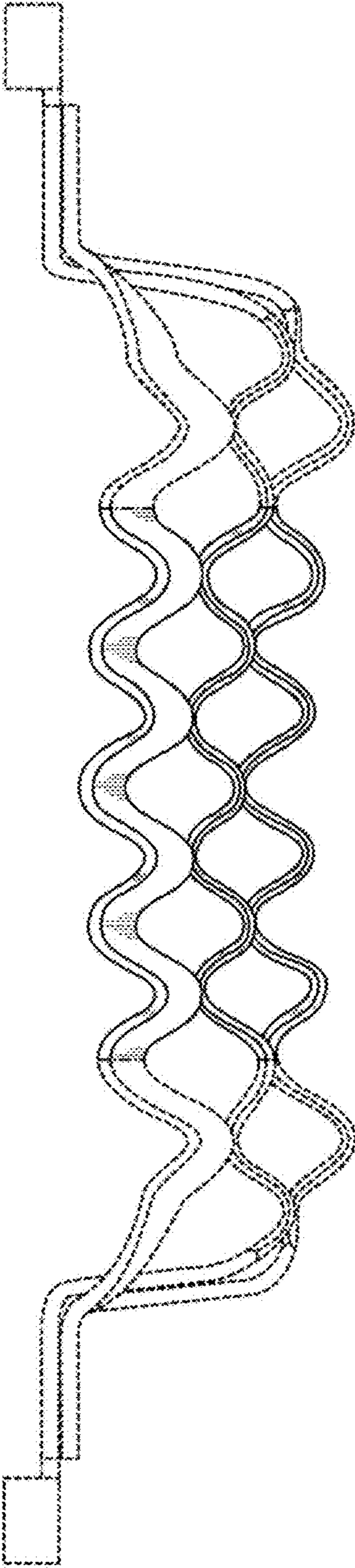


Fig. 3

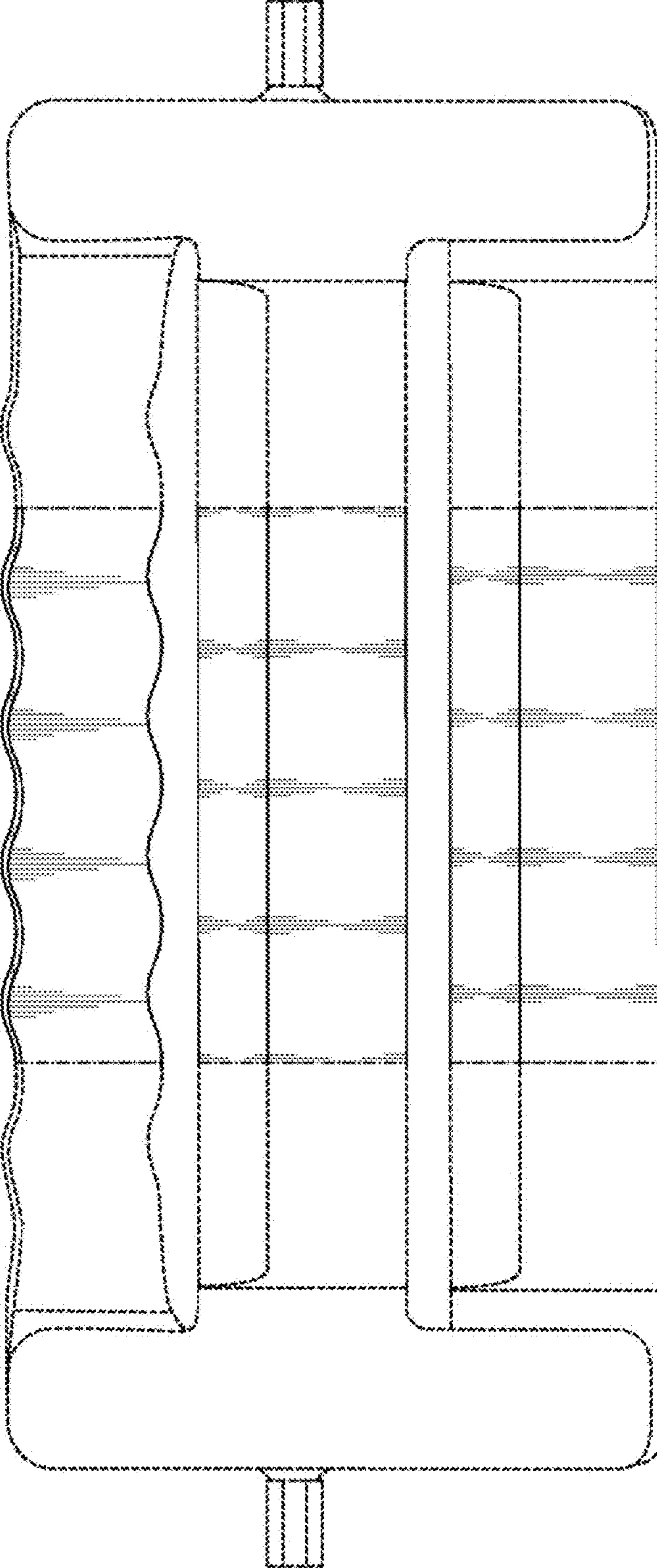


Fig. 4

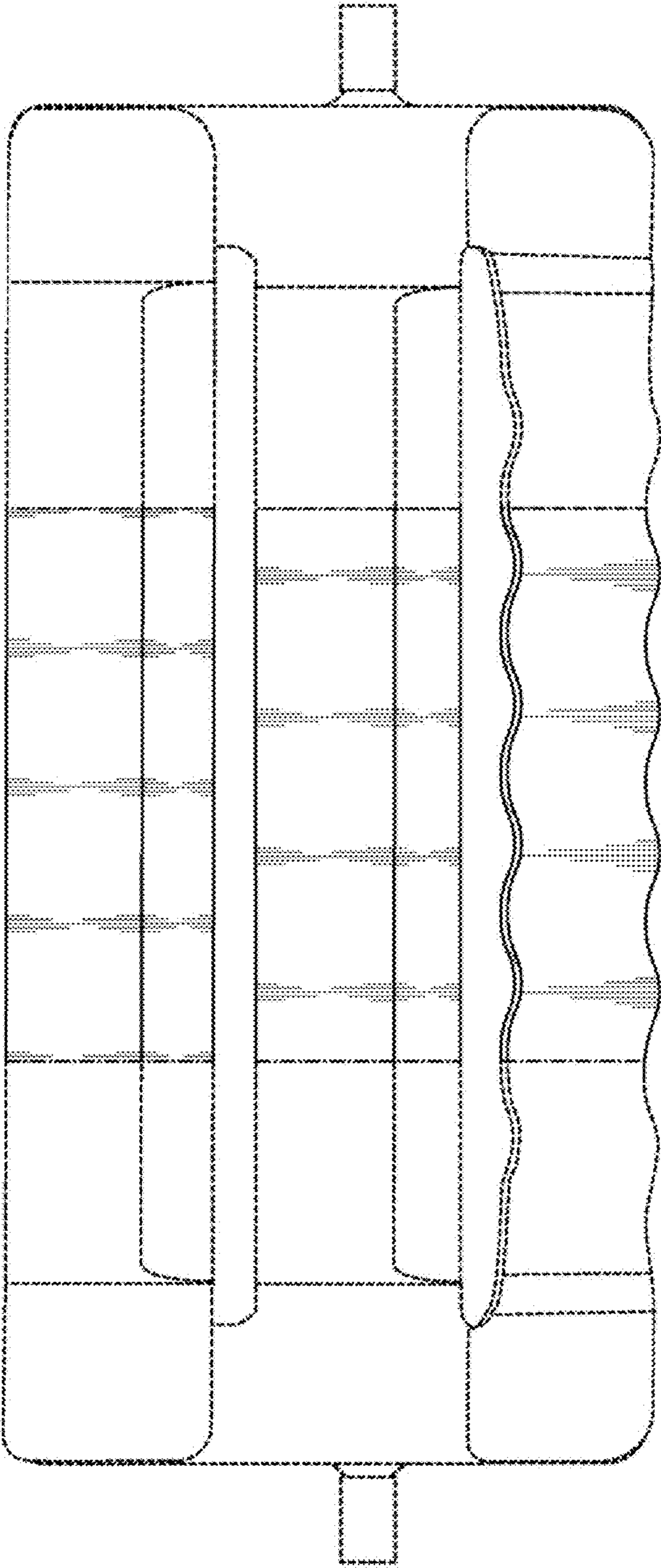


Fig. 5

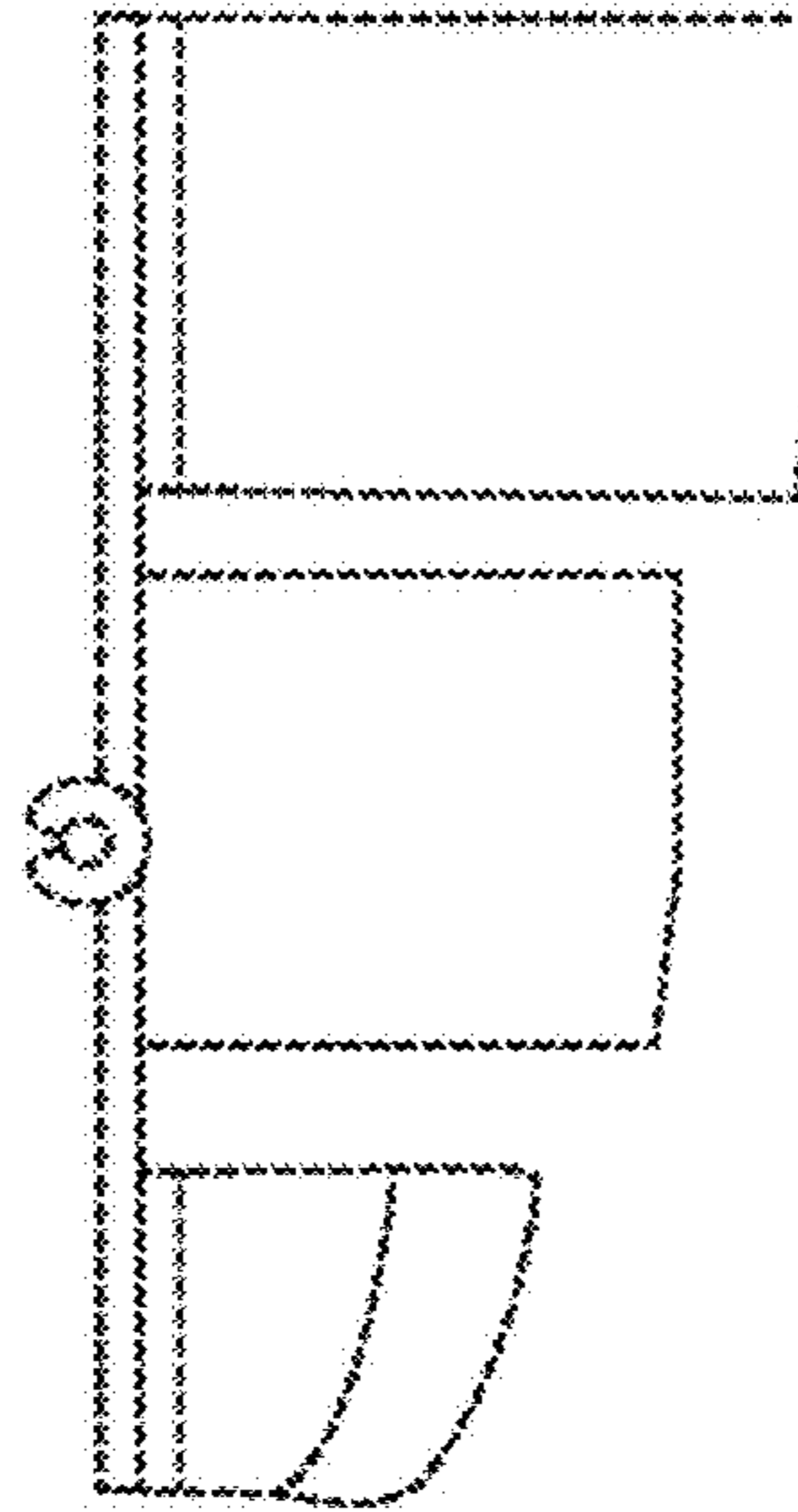


Fig. 6

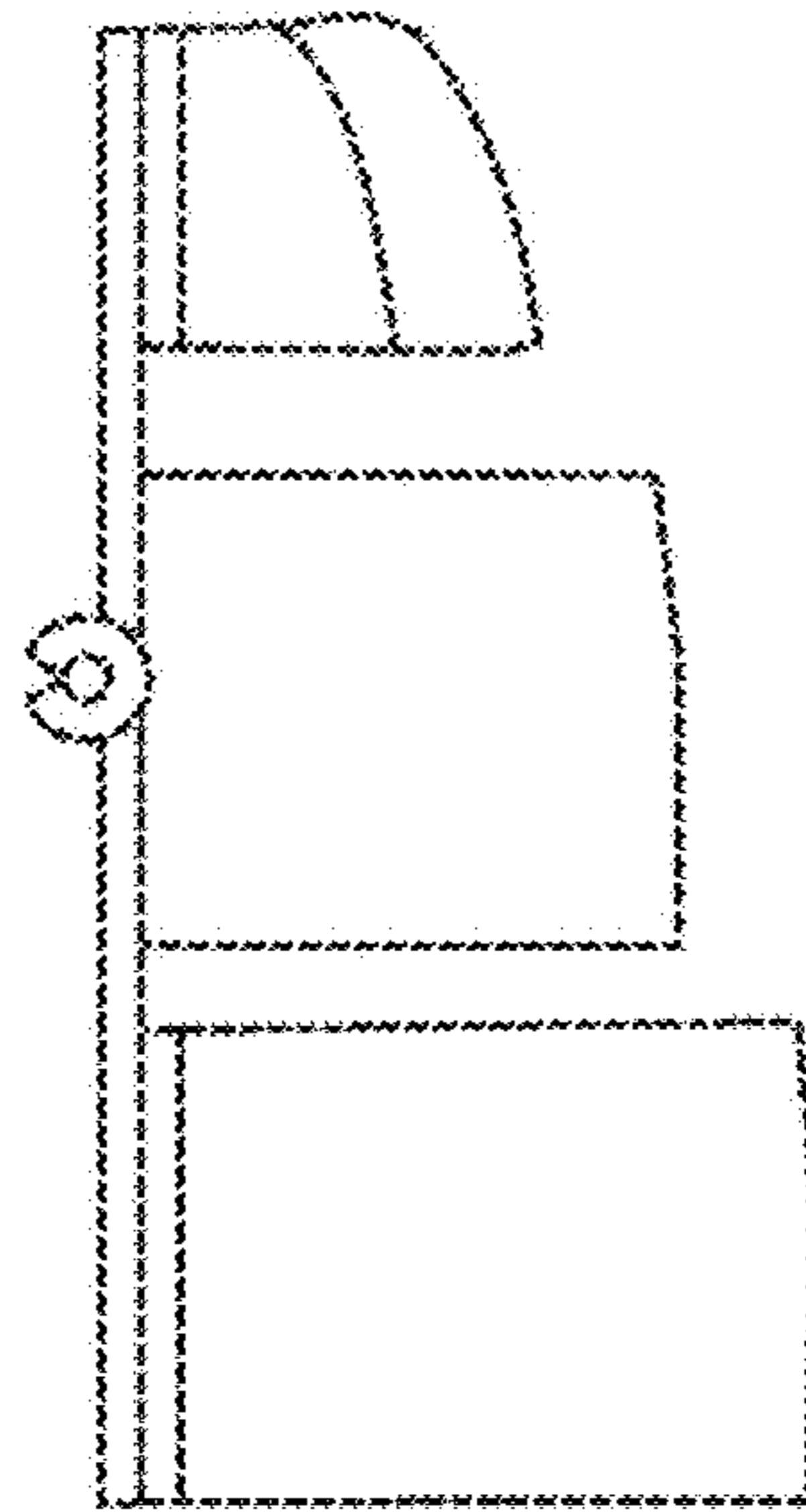


Fig. 7

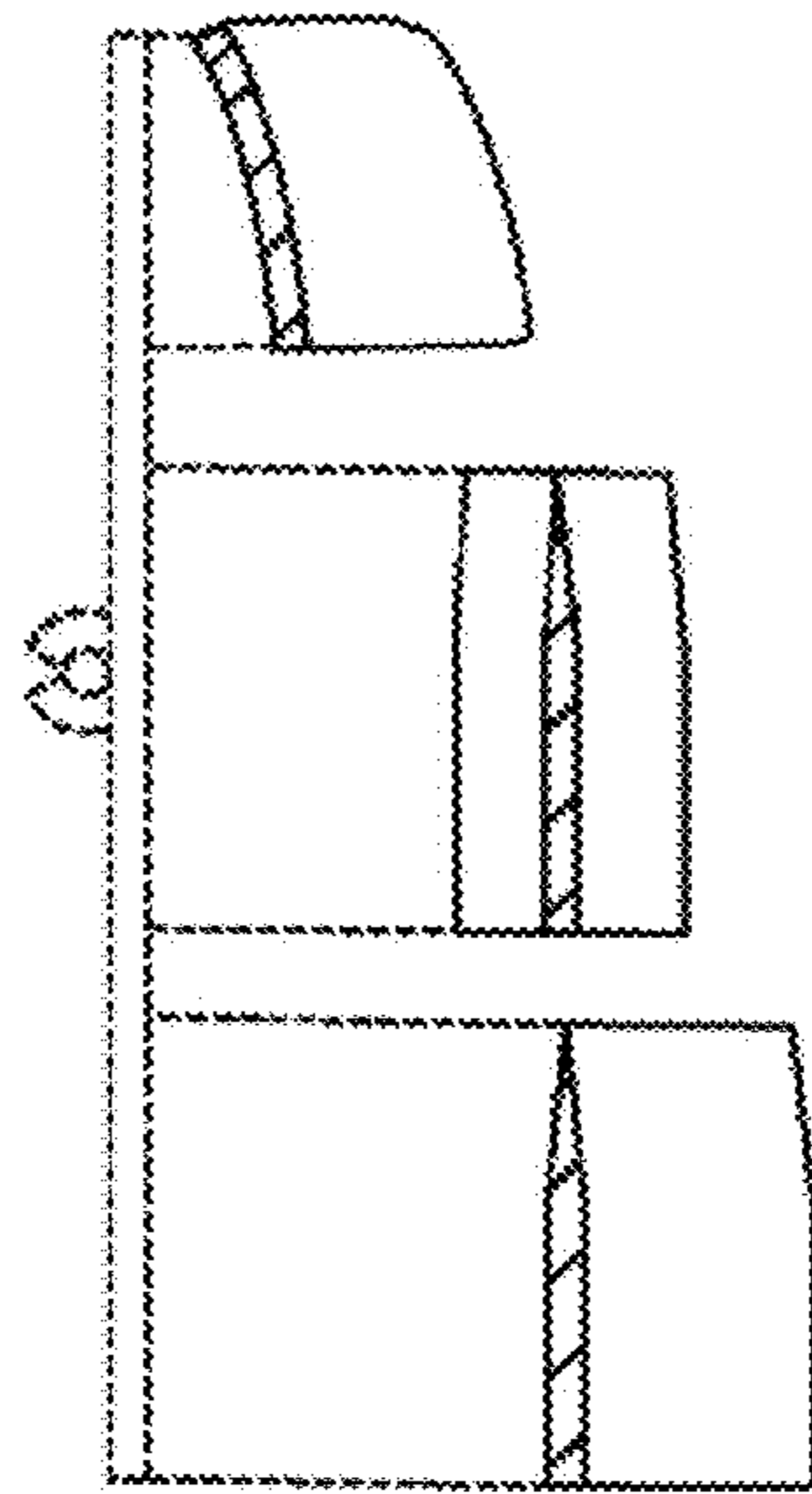


Fig. 8