



US00D901260S

(12) **United States Design Patent** (10) **Patent No.:** **US D901,260 S**
Xie (45) **Date of Patent:** **** Nov. 10, 2020**

(54) **SLOTTED SPOON**

(71) Applicant: **Shenzhenshi Baozhixia Keji youxiangongsi**, Shenzhen Guangdong (CN)

(72) Inventor: **Zhixia Xie**, Guangdong Province (CN)

(**) Term: **15 Years**

(21) Appl. No.: **29/741,517**

(22) Filed: **Jul. 14, 2020**

(51) **LOC (12) Cl.** **07-04**

(52) **U.S. Cl.**

USPC **D7/692; D7/667**

(58) **Field of Classification Search**

USPC D7/680-696, 368, 669, 393, 395, 647

CPC A47J 43/285; A47J 43/14; A47J 43/24;

A47J 43/22; A47J 43/28; A47J 43/286;

A47J 43/00; A47J 47/20; A47J 19/005;

A47J 19/00; A47J 36/22; A47J 26/20;

A47G 19/02; A47G 19/12; A45F 3/20

See application file for complete search history.

(56) **References Cited**

U.S. PATENT DOCUMENTS

33,654 A * 11/1861 Lorton A47J 19/04
241/169.2

1,353,520 A * 9/1920 Defenbaugh A47J 19/04
241/169.2

D268,244 S * 3/1983 Morin D7/691
D272,118 S * 1/1984 Steiner D7/667
D293,066 S * 12/1987 Ferm D7/692
D367,406 S * 2/1996 Ancona D7/691
D437,747 S * 2/2001 Kwok D7/682
D482,579 S * 11/2003 Kortleven D7/667
D487,675 S * 3/2004 Overthun D7/667
D507,725 S * 7/2005 White
D527,959 S * 9/2006 Fung D7/690

* cited by examiner

Primary Examiner — Terry A Wallace

(57) **CLAIM**

The ornamental design for a slotted spoon, as shown and described.

DESCRIPTION

FIG. 1 is a front and top perspective view of a slotted spoon, showing my new design;

FIG. 2 is a rear and bottom perspective view thereof;

FIG. 3 is a front elevational view thereof;

FIG. 4 is a rear elevational view thereof;

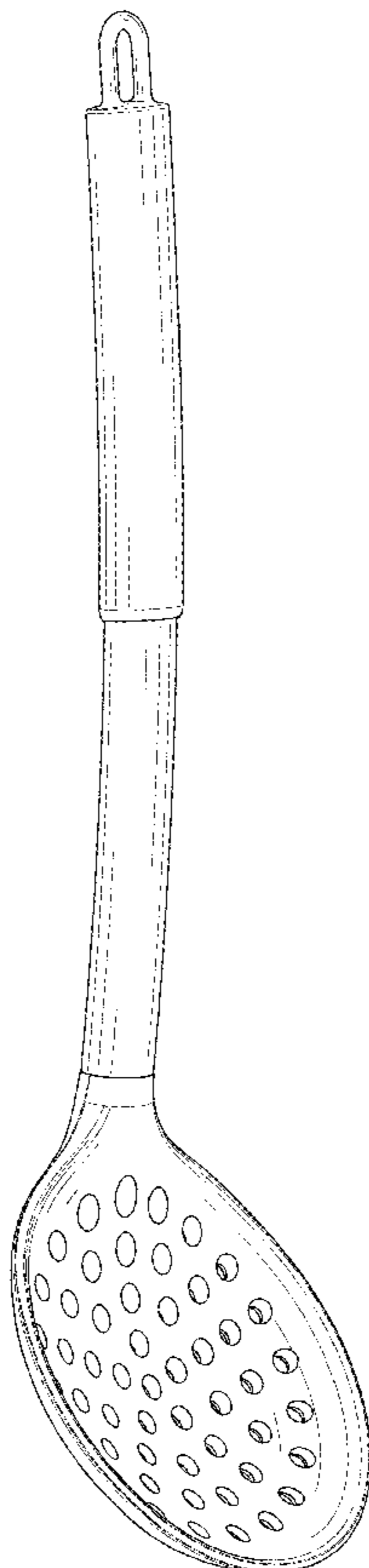
FIG. 5 is a left side elevational view thereof;

FIG. 6 is a right side elevational view thereof;

FIG. 7 is a top plan view thereof; and,

FIG. 8 is a bottom plan view thereof.

1 Claim, 8 Drawing Sheets



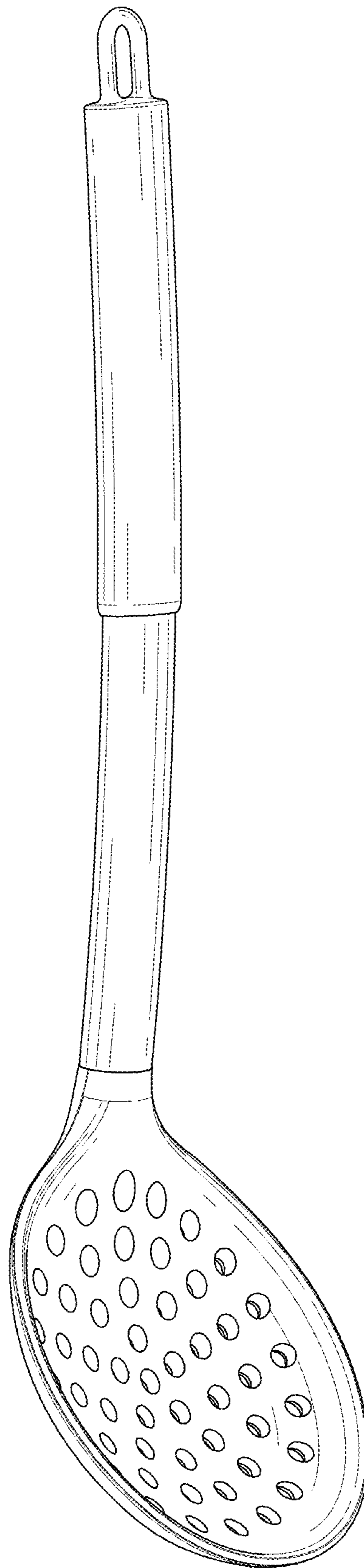


FIG. 1

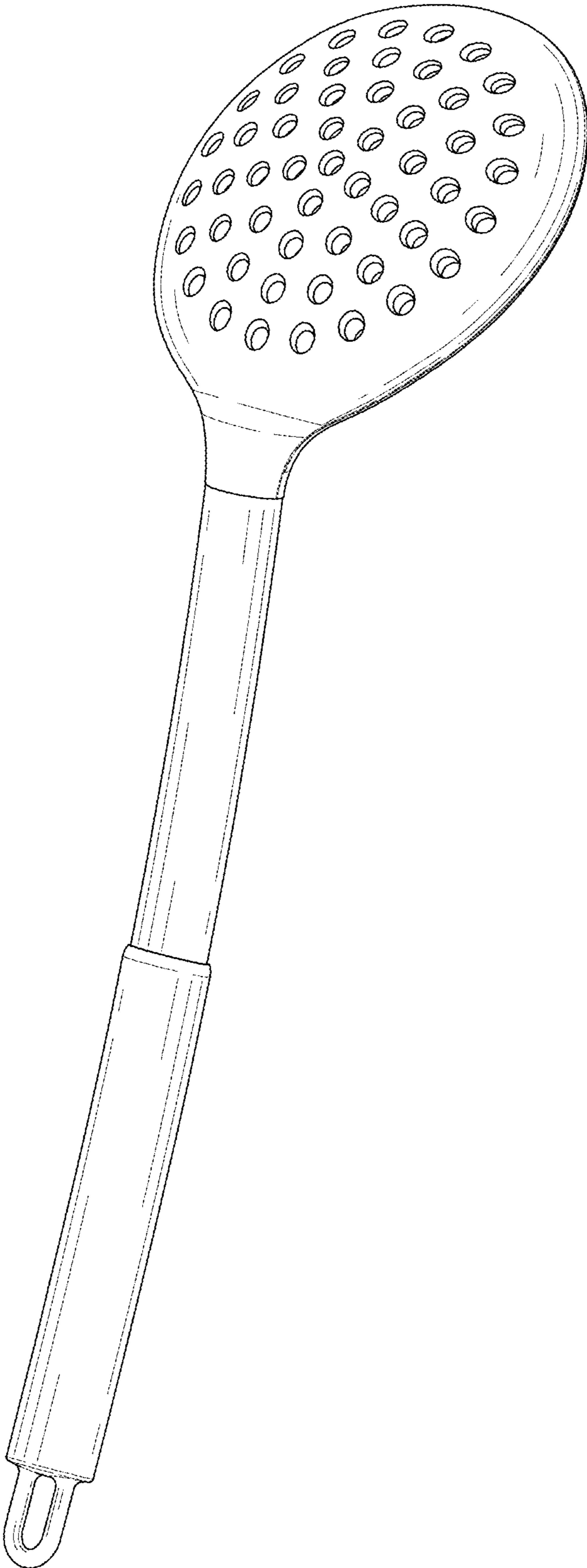


FIG. 2

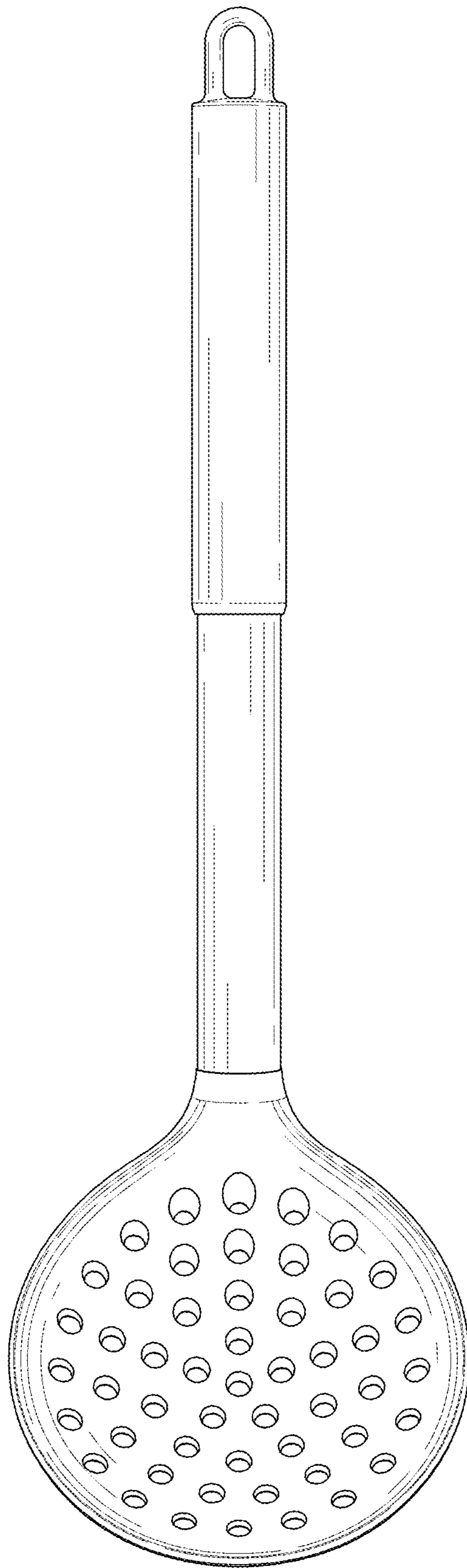


FIG. 3

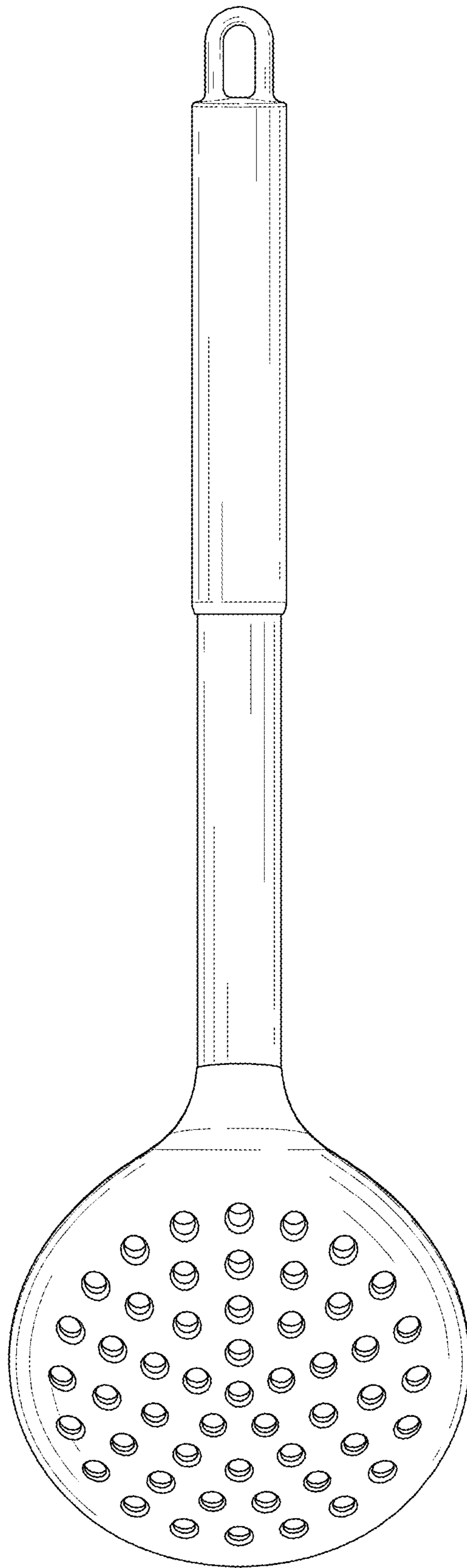


FIG. 4

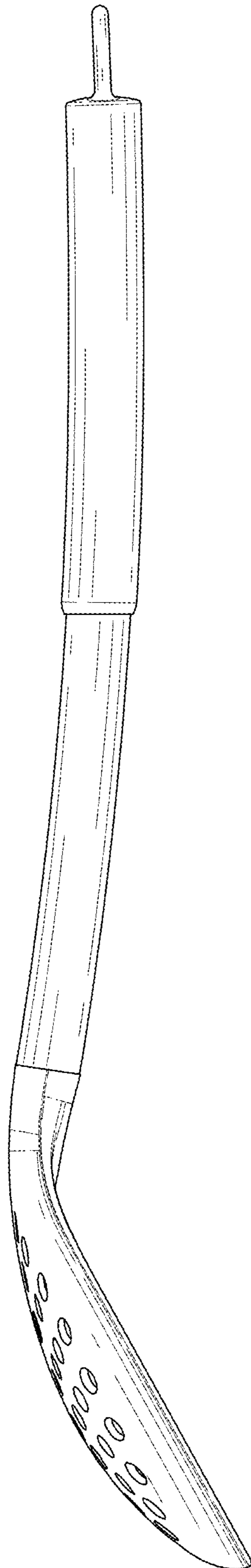


FIG. 5

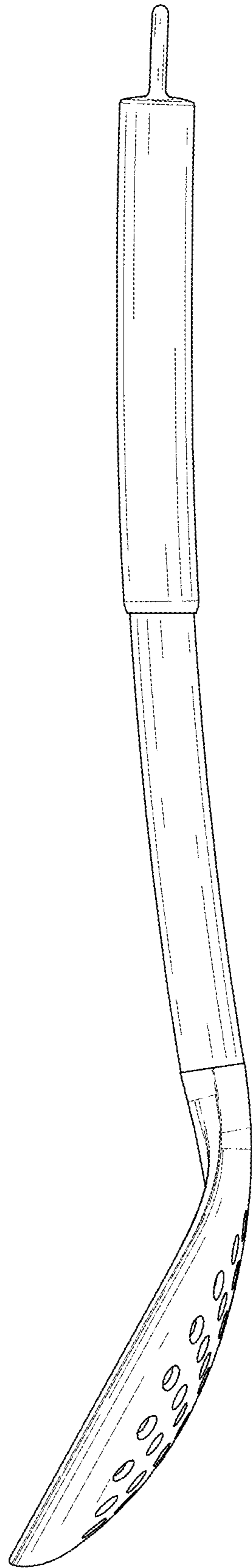


FIG. 6

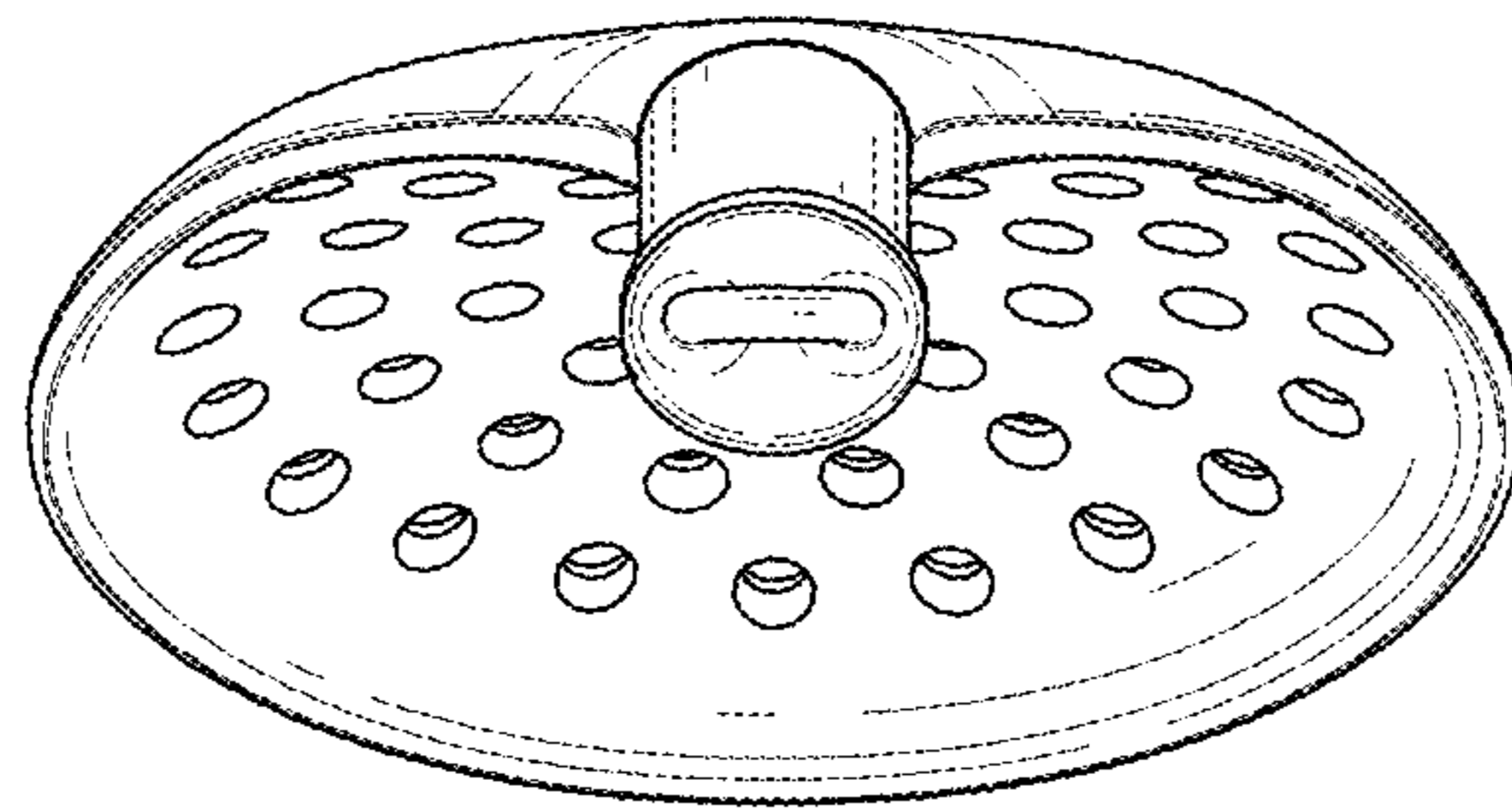


FIG. 7

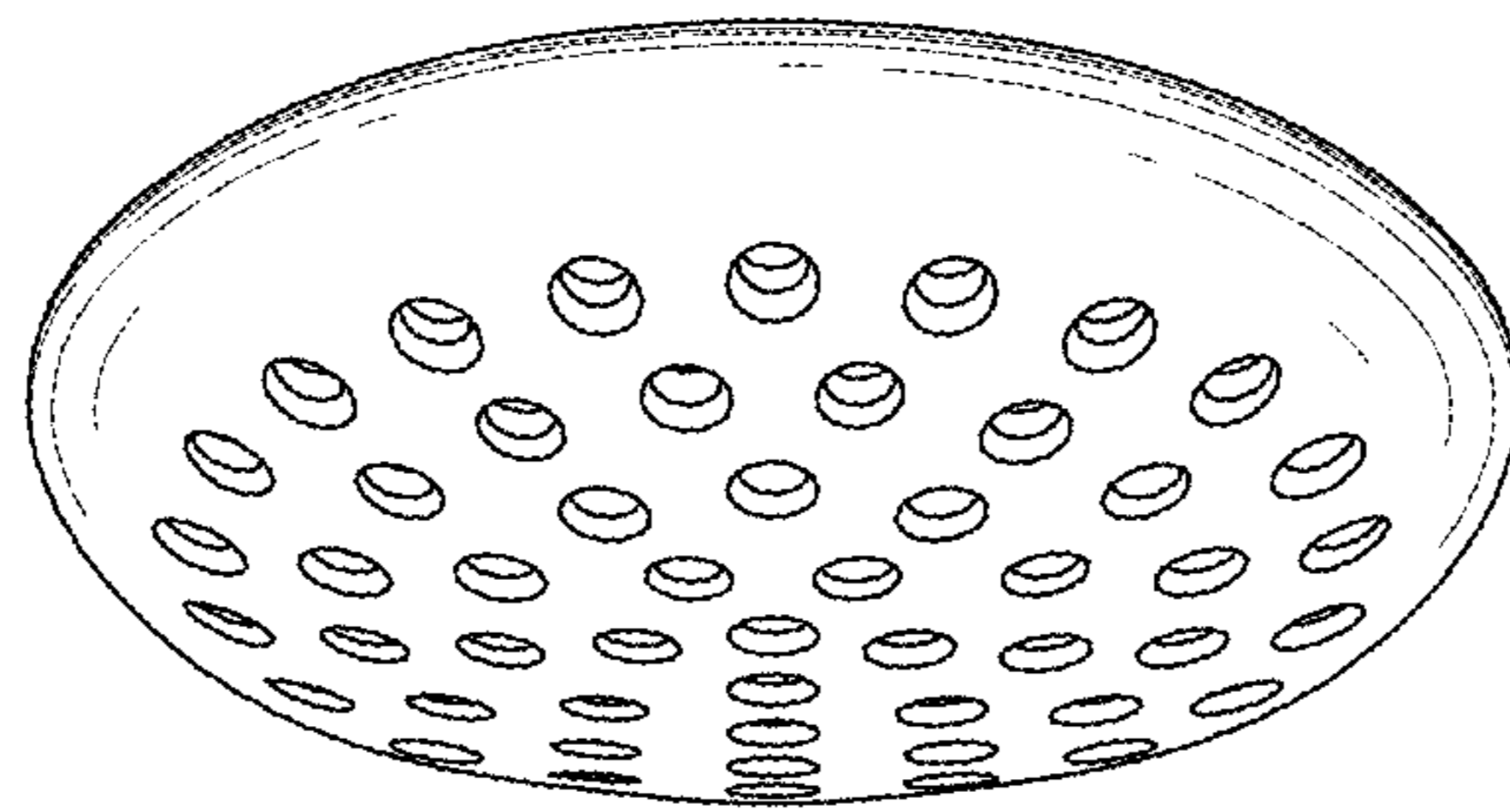


FIG. 8