



US00D901259S

(12) **United States Design Patent**  
**Palmby**

(10) **Patent No.:** **US D901,259 S**

(45) **Date of Patent:** **\*\* Nov. 10, 2020**

(54) **COOKING UTENSIL**

(71) Applicant: **Chris D. Palmby**, Bellingham, WA  
(US)

(72) Inventor: **Chris D. Palmby**, Bellingham, WA  
(US)

(\*\*) Term: **15 Years**

(21) Appl. No.: **29/693,650**

(22) Filed: **Jun. 4, 2019**

(51) **LOC (12) Cl.** ..... **07-04**

(52) **U.S. Cl.**  
USPC ..... **D7/692**

(58) **Field of Classification Search**  
USPC ..... D7/680-696, 368, 669; D32/40, 43, 46  
CPC ..... A47J 43/288; A47J 43/28; A47J 43/283;  
A47J 43/281; A47J 45/10; A47G 21/045;  
A47G 19/265; B26B 3/03; B26B 11/00;  
A21B 3/003

See application file for complete search history.

(56) **References Cited**

**U.S. PATENT DOCUMENTS**

D32,918 S \* 7/1900 Ericson ..... D7/688  
1,096,204 A \* 5/1914 Taggart ..... A47G 21/001  
294/131

2,436,507 A \* 2/1948 Ellwood ..... 2/17  
3,858,320 A \* 1/1975 Neal ..... A47J 43/283  
30/323  
D306,115 S \* 2/1990 Zimmerman ..... D7/669  
D392,851 S \* 3/1998 Zeller ..... D7/692  
D437,193 S \* 2/2001 Kontou ..... D7/692  
8,328,253 B2 \* 12/2012 Wales ..... A47J 37/1271  
294/7  
10,258,193 B1 \* 4/2019 Reed ..... F23Q 2/50  
2007/0187963 A1 \* 8/2007 Repp ..... A47J 43/283  
294/3

\* cited by examiner

*Primary Examiner* — Terry A Wallace

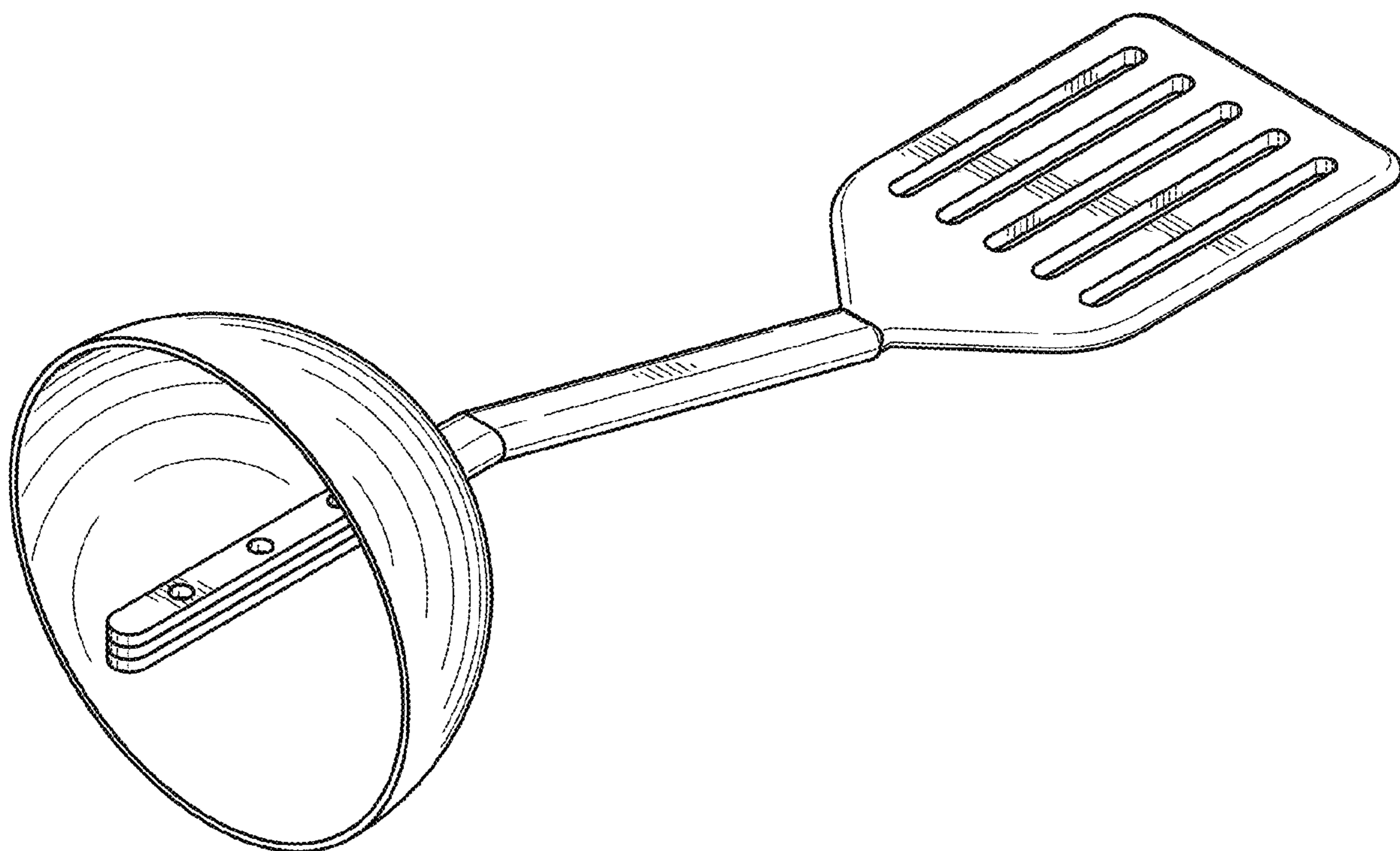
(57) **CLAIM**

The ornamental design for a cooking utensil, as shown and described.

**DESCRIPTION**

FIG. 1 is a front view of a cooking utensil showing my new design;  
FIG. 2 is a rear view of the cooking utensil;  
FIG. 3 is a right side view of the cooking utensil;  
FIG. 4 is a left side view of the cooking utensil;  
FIG. 5 is a top view of the cooking utensil;  
FIG. 6 is a bottom view of the cooking utensil; and,  
FIG. 7 is a bottom front side perspective view of the cooking utensil.

**1 Claim, 4 Drawing Sheets**



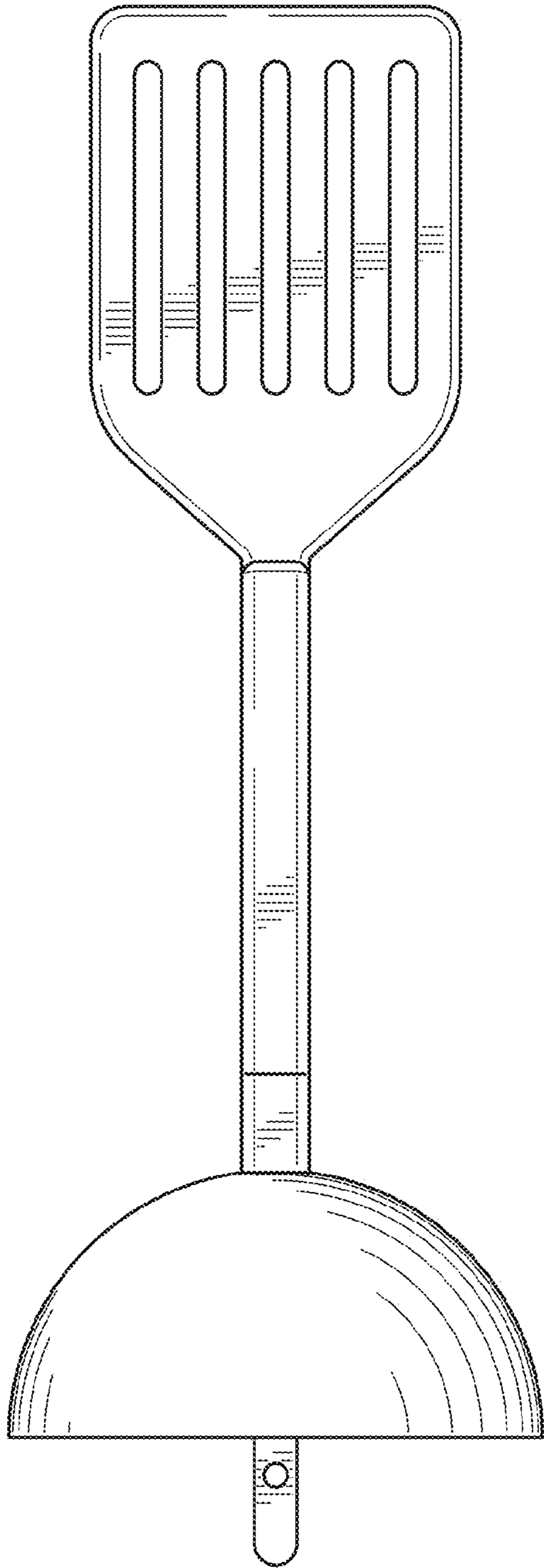


FIG. 1

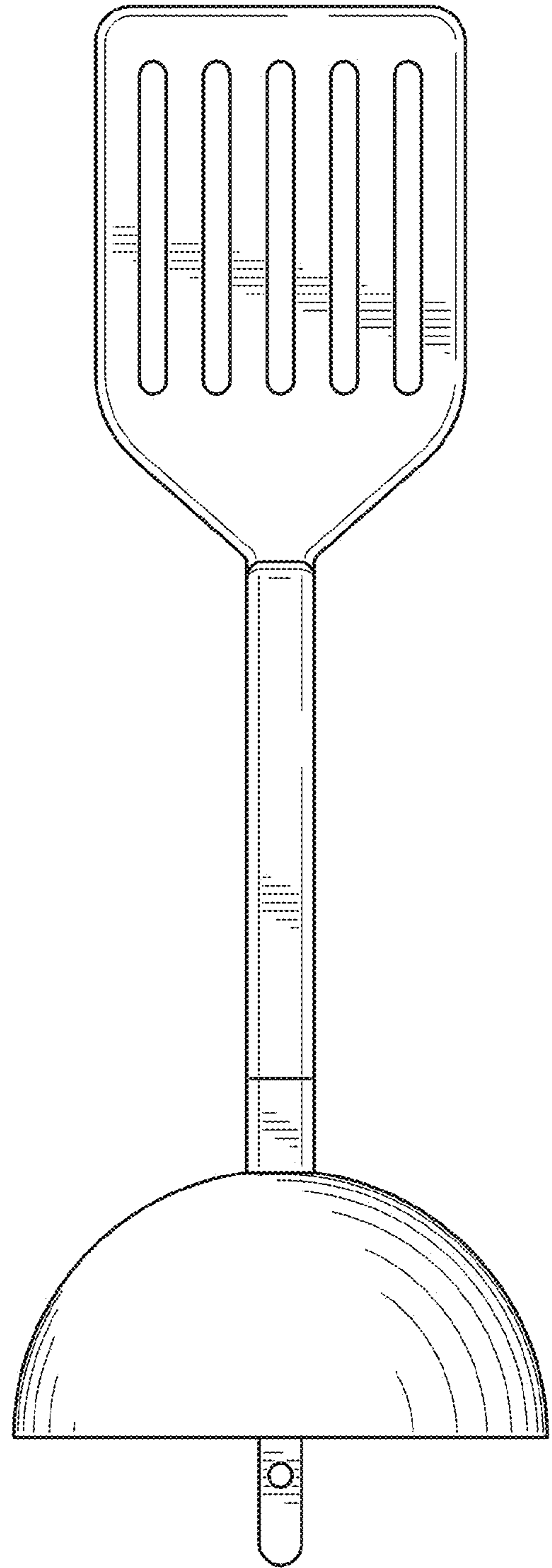


FIG. 2

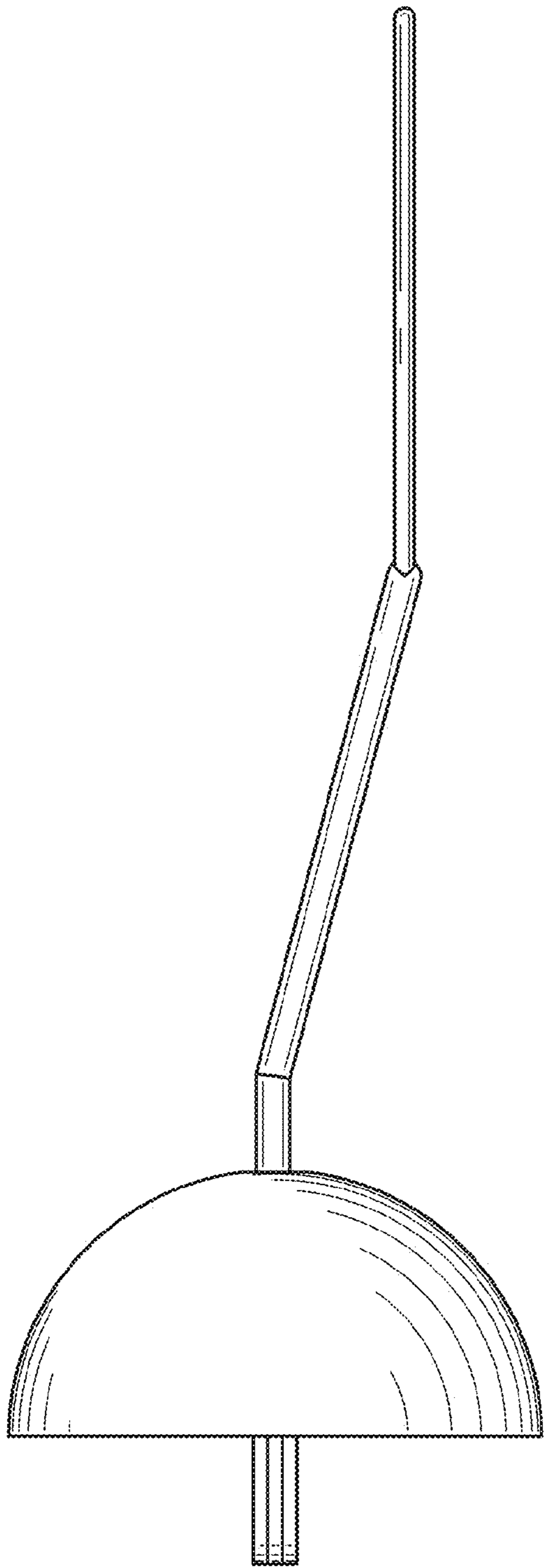


FIG. 3

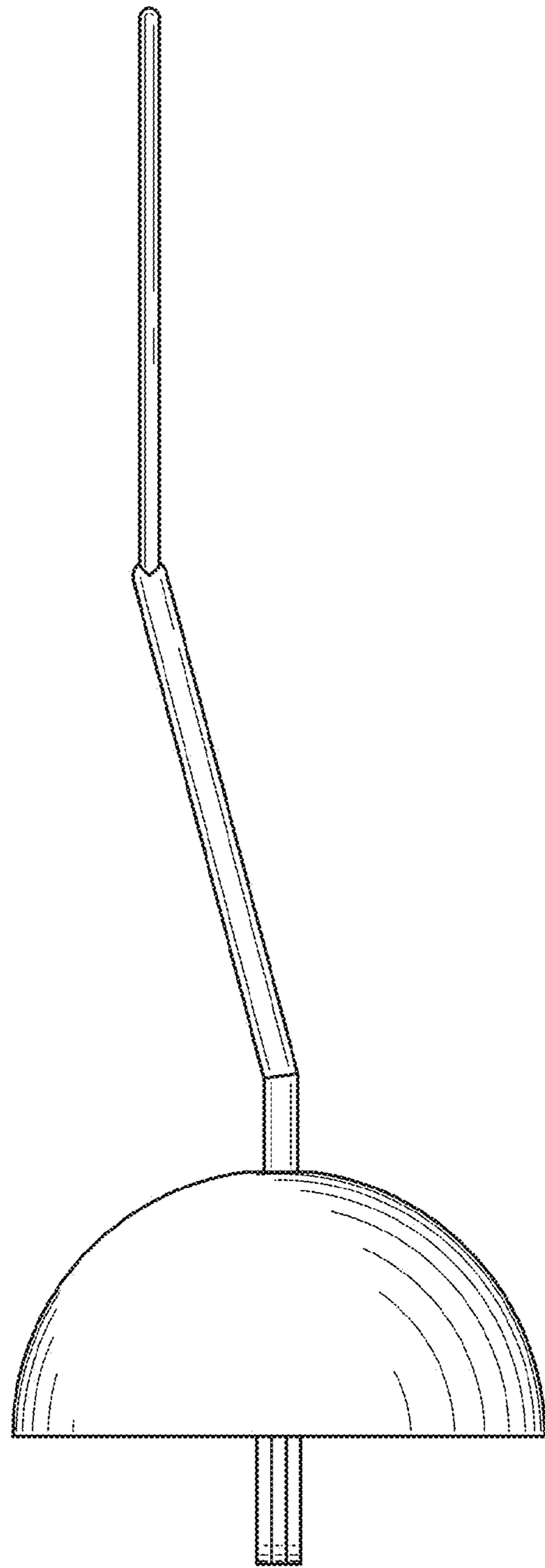


FIG. 4

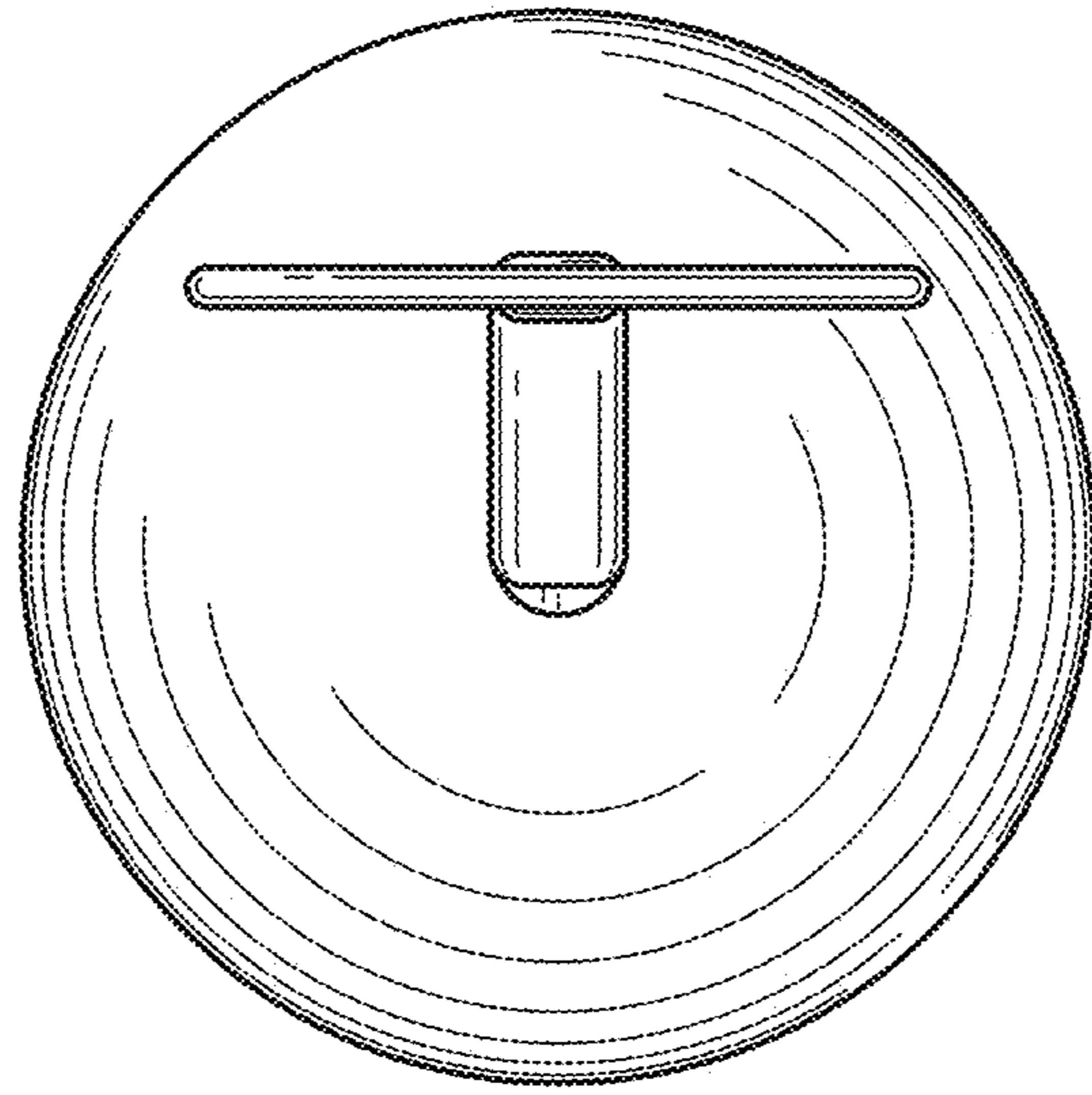


FIG. 5

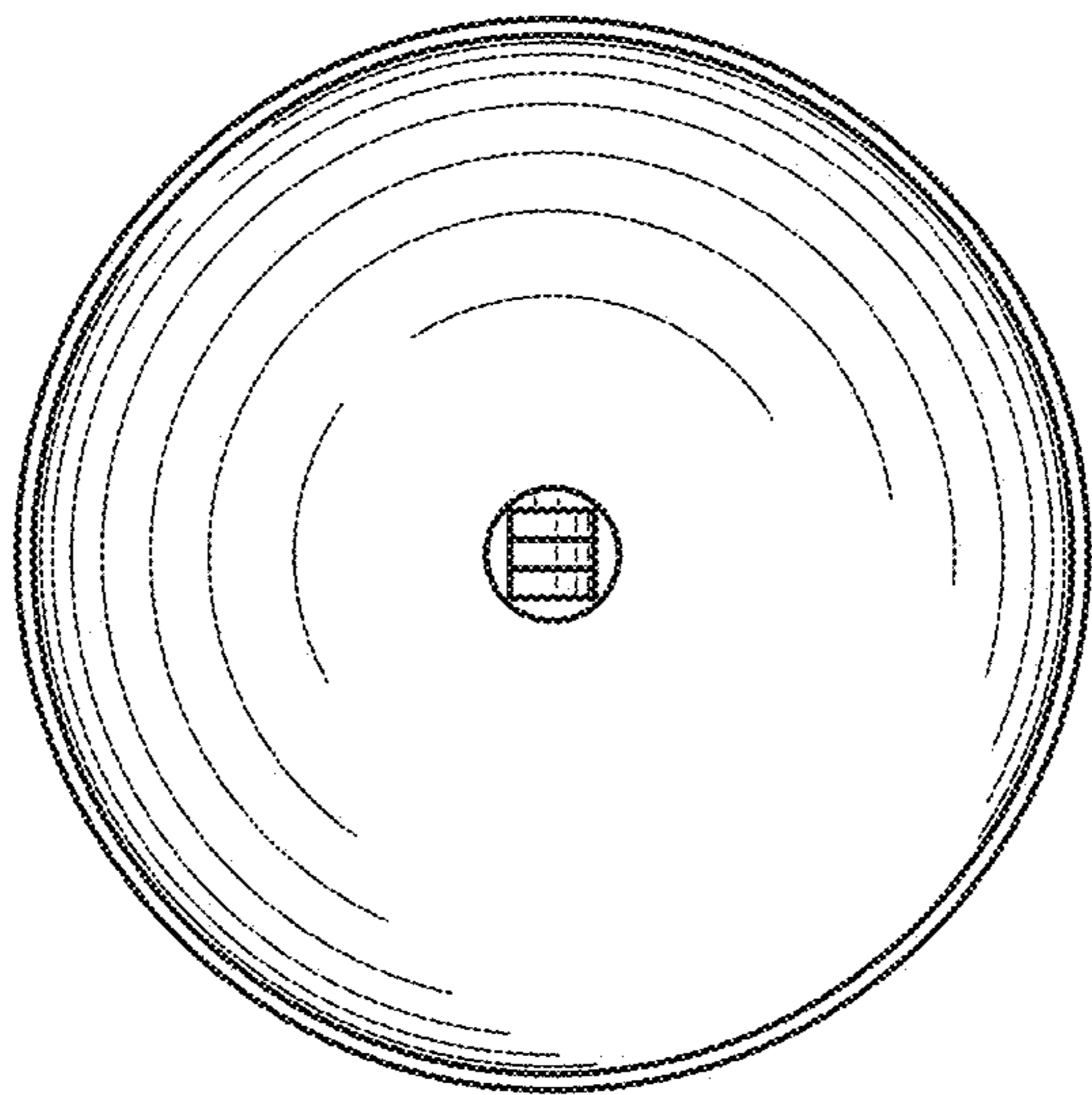


FIG. 6

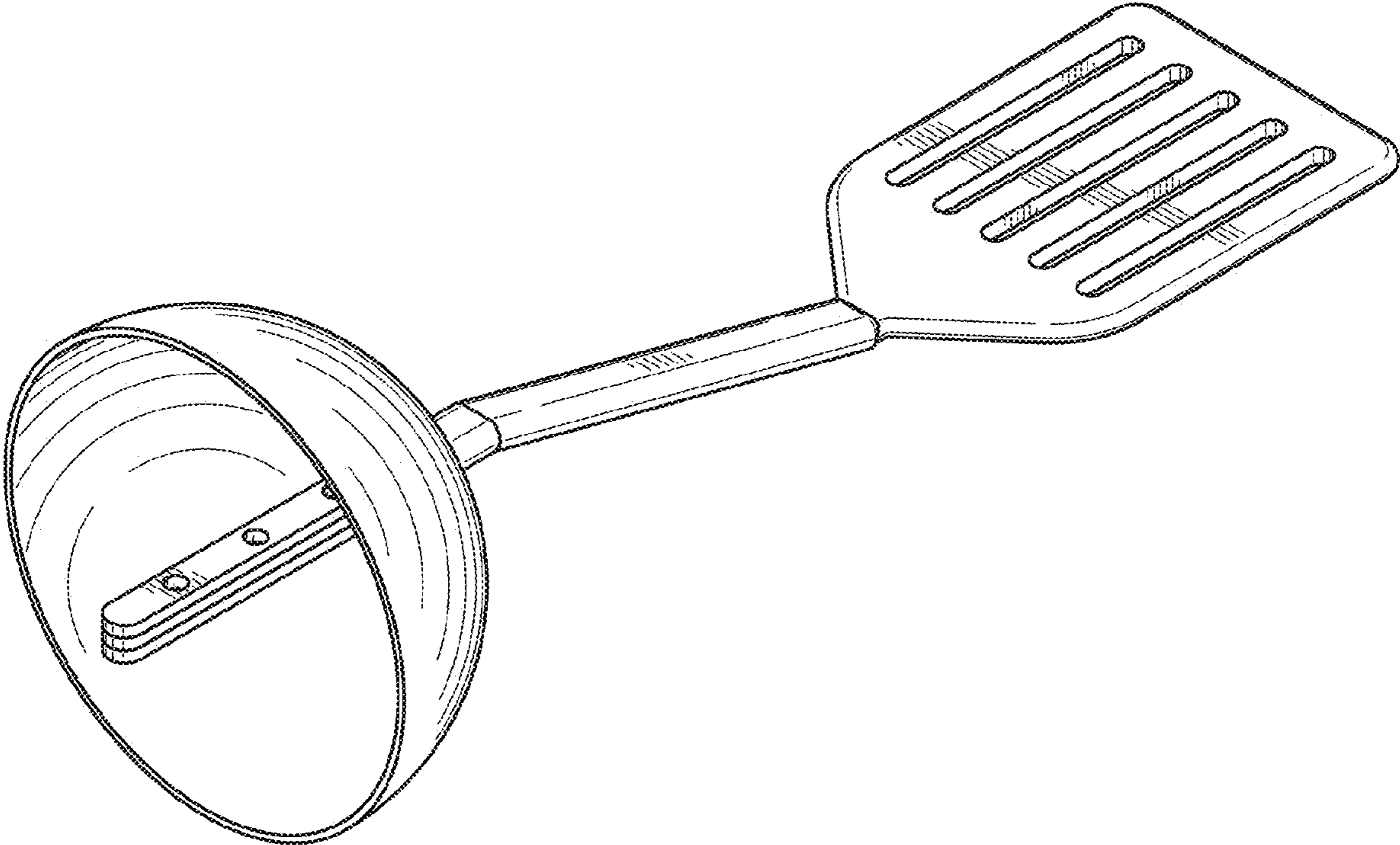


FIG. 7