



US00D901257S

(12) **United States Design Patent**
Joseph

(10) **Patent No.:** **US D901,257 S**

(45) **Date of Patent:** **** Nov. 10, 2020**

(54) **UTENSIL HOLDER**

(71) Applicant: **JOSEPH JOSEPH, LTD.**, London
(GB)

(72) Inventor: **Antony Joseph**, London (GB)

(73) Assignee: **JOSEPH JOSEPH, LTD.**, London
(GB)

(**) Term: **15 Years**

(21) Appl. No.: **29/659,230**

(22) Filed: **Aug. 7, 2018**

(30) **Foreign Application Priority Data**

Feb. 8, 2018 (EM) 004701365-0002

(51) **LOC (12) Cl.** **07-07**

(52) **U.S. Cl.**
USPC **D7/637**

(58) **Field of Classification Search**

USPC D7/637-641; 30/298.4; 211/60.1, 70.6,
211/70.7; 248/37.3, 37.6; D3/273, 274;
D19/77, 81-86

CPC A47B 88/20; A47F 7/00; A47G 21/00;
A47G 21/14; B26B 3/00

See application file for complete search history.

(56) **References Cited**

U.S. PATENT DOCUMENTS

D390,266 S * 2/1998 Cheris D19/77
D395,801 S * 7/1998 Miller D7/641

D419,401 S * 1/2000 Adamson D7/701
D523,298 S * 6/2006 Yang D7/637
D575,995 S * 9/2008 Owens D7/637
D582,120 S * 12/2008 Snell D32/55
D669,322 S * 10/2012 Evans D7/640
D702,761 S * 4/2014 Foley D19/77
D769,035 S * 10/2016 Williams D6/683.1

* cited by examiner

Primary Examiner — Janice Patyk

(74) *Attorney, Agent, or Firm* — Millen, White, Zelano &
Branigan, PC; Ryan Pool

(57) **CLAIM**

The ornamental design for a utensil holder, as shown and described.

DESCRIPTION

FIG. 1 is a top perspective view of a utensil holder, showing my new design.

FIG. 2 is a side view thereof.

FIG. 3 is another side view thereof.

FIG. 4 is a back view thereof.

FIG. 5 is a front view thereof.

FIG. 6 is top view thereof.

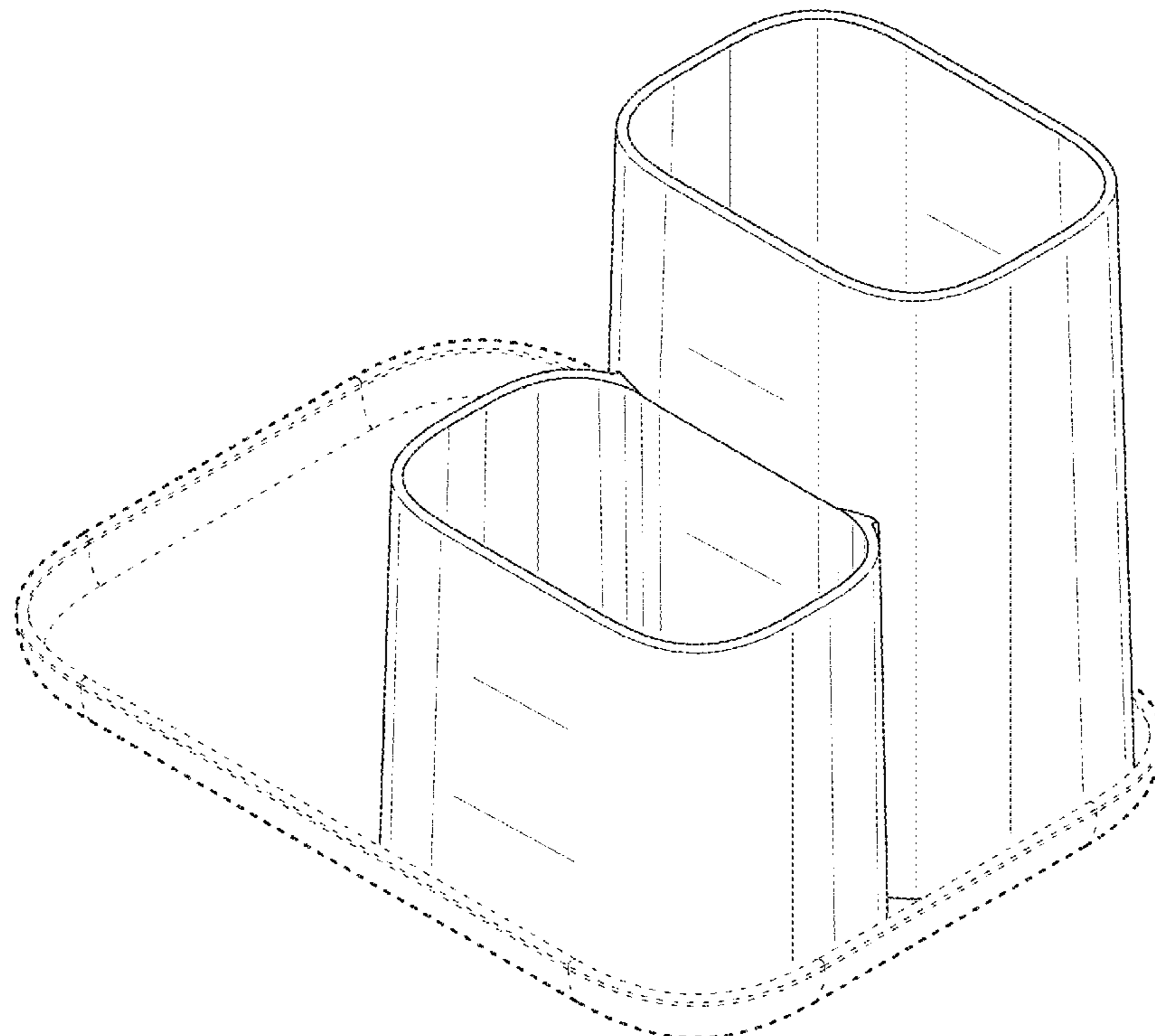
FIG. 7 is a bottom view thereof.

FIG. 8 is an exploded top perspective view thereof; and,

FIG. 9 is an exploded bottom perspective view thereof.

The broken lines in the drawings illustrate portions of the utensil holder which form no part of the claimed design.

1 Claim, 9 Drawing Sheets



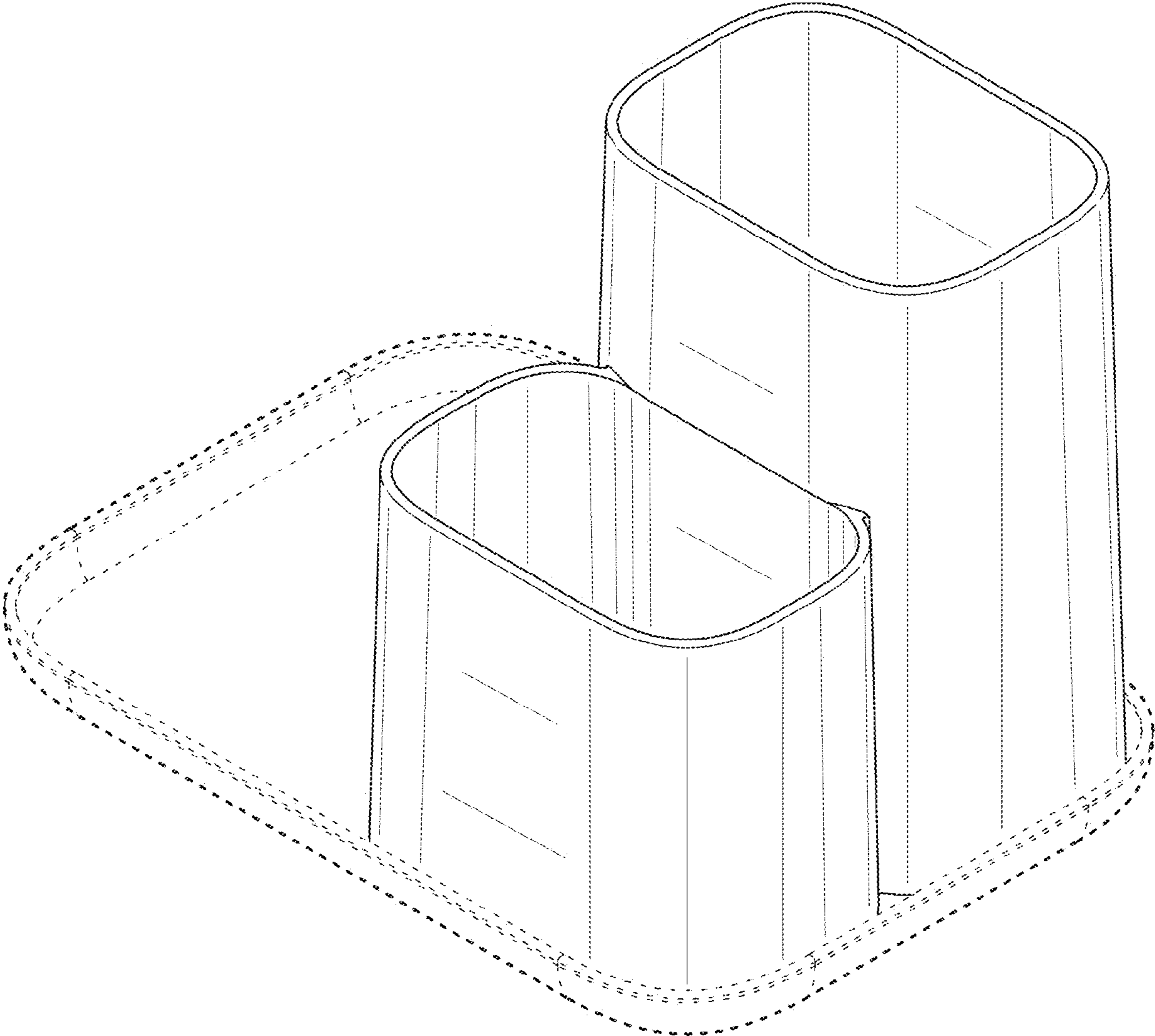


FIG. 1

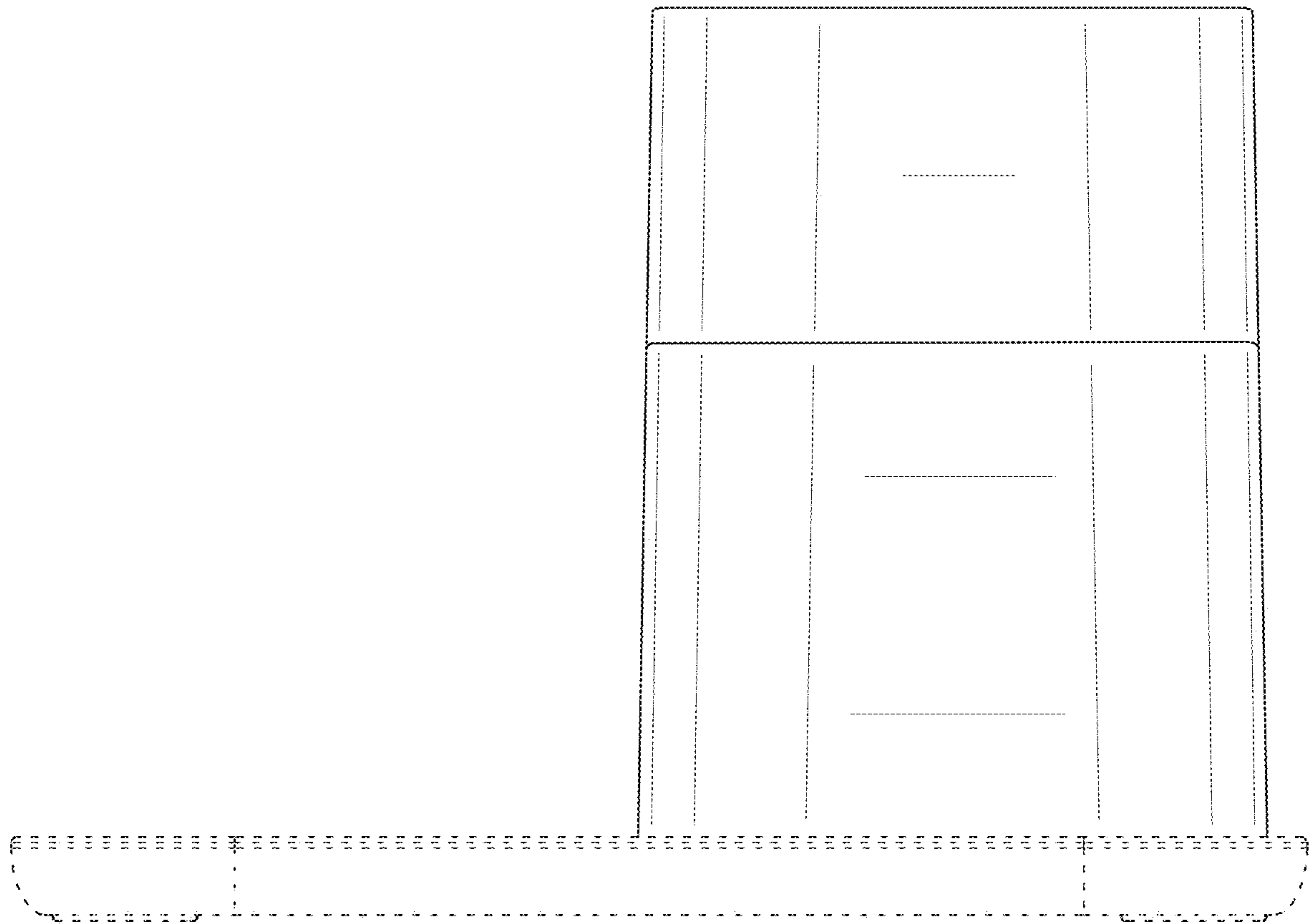


FIG. 2

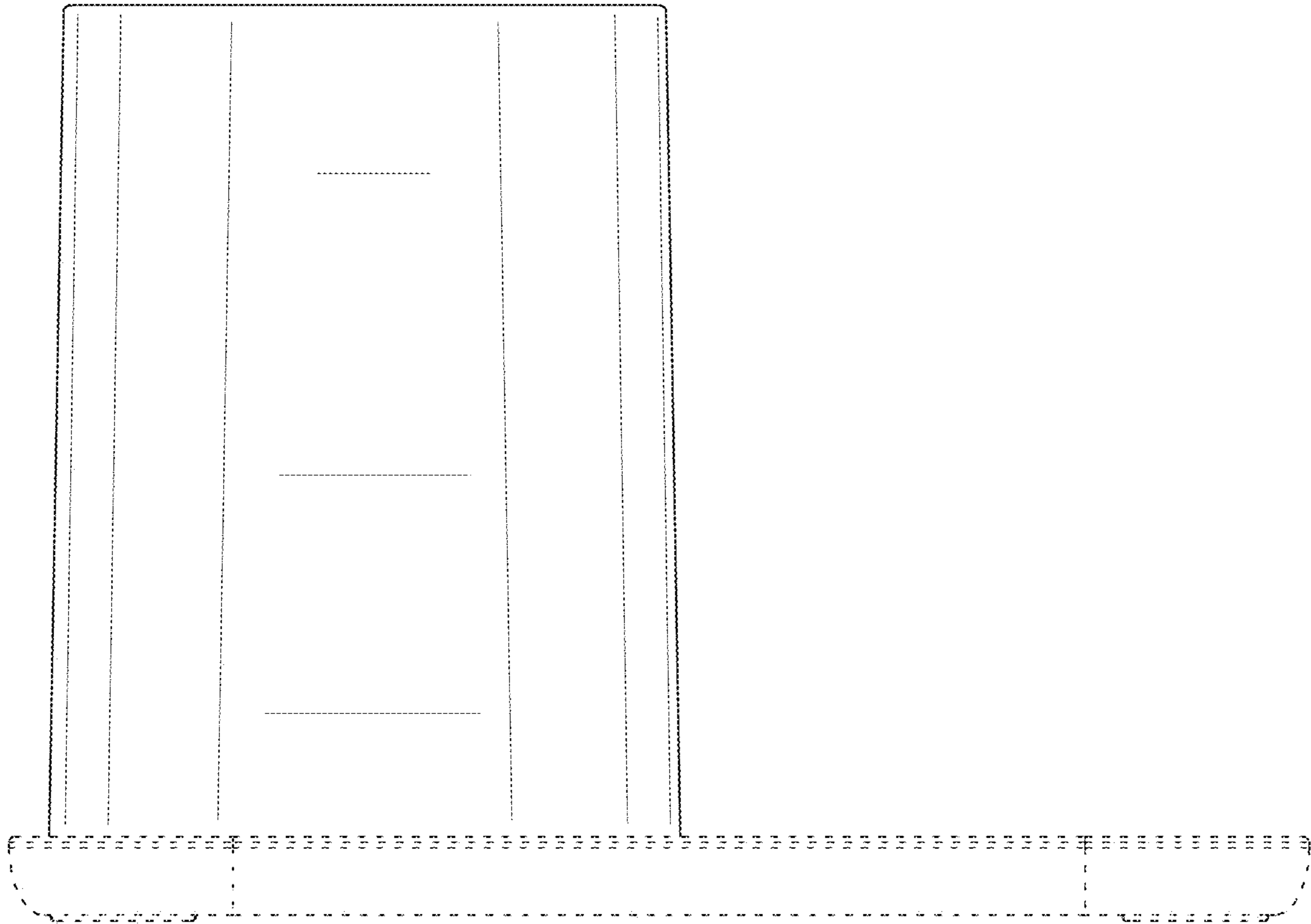


FIG. 3

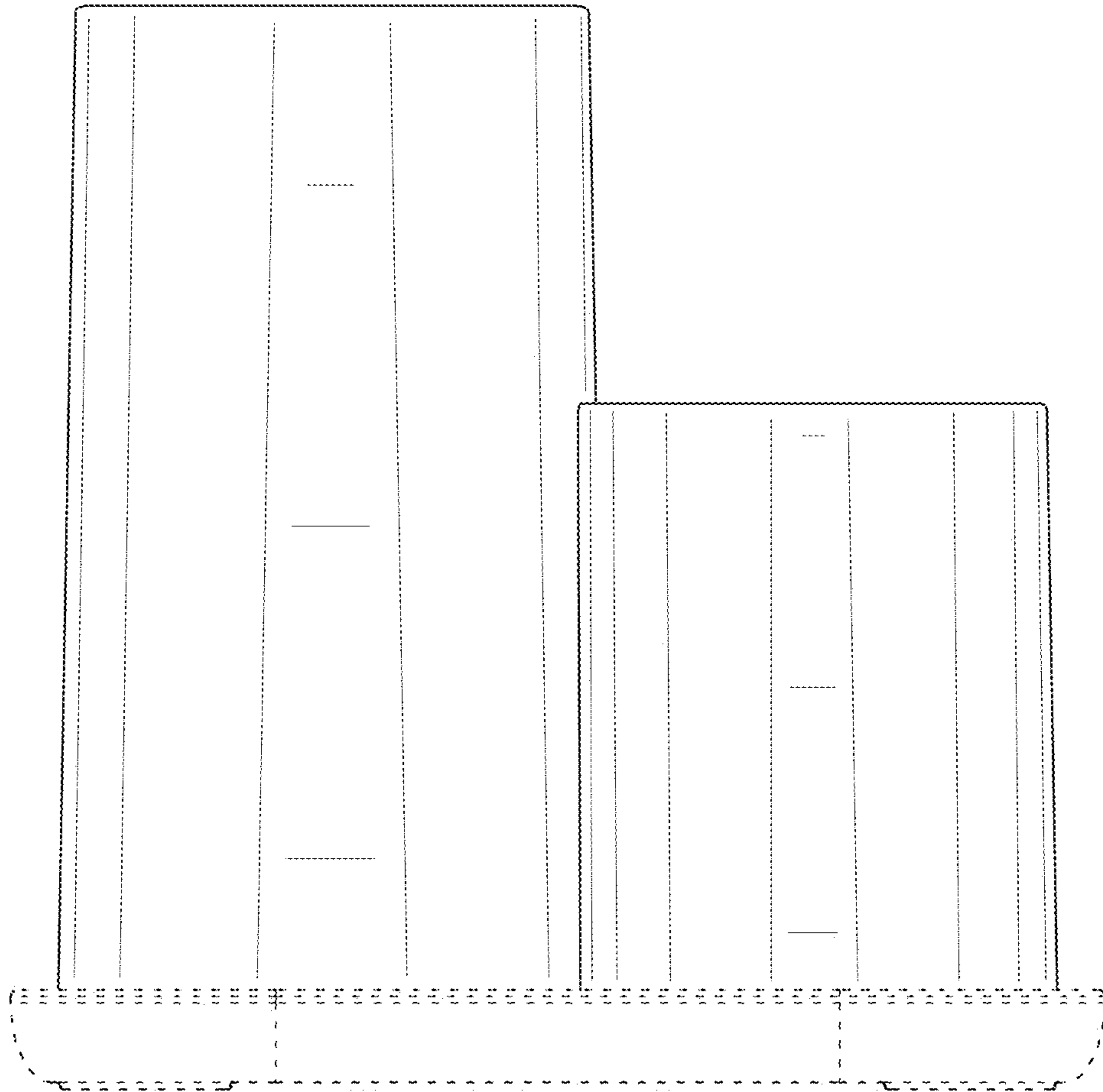


FIG. 4

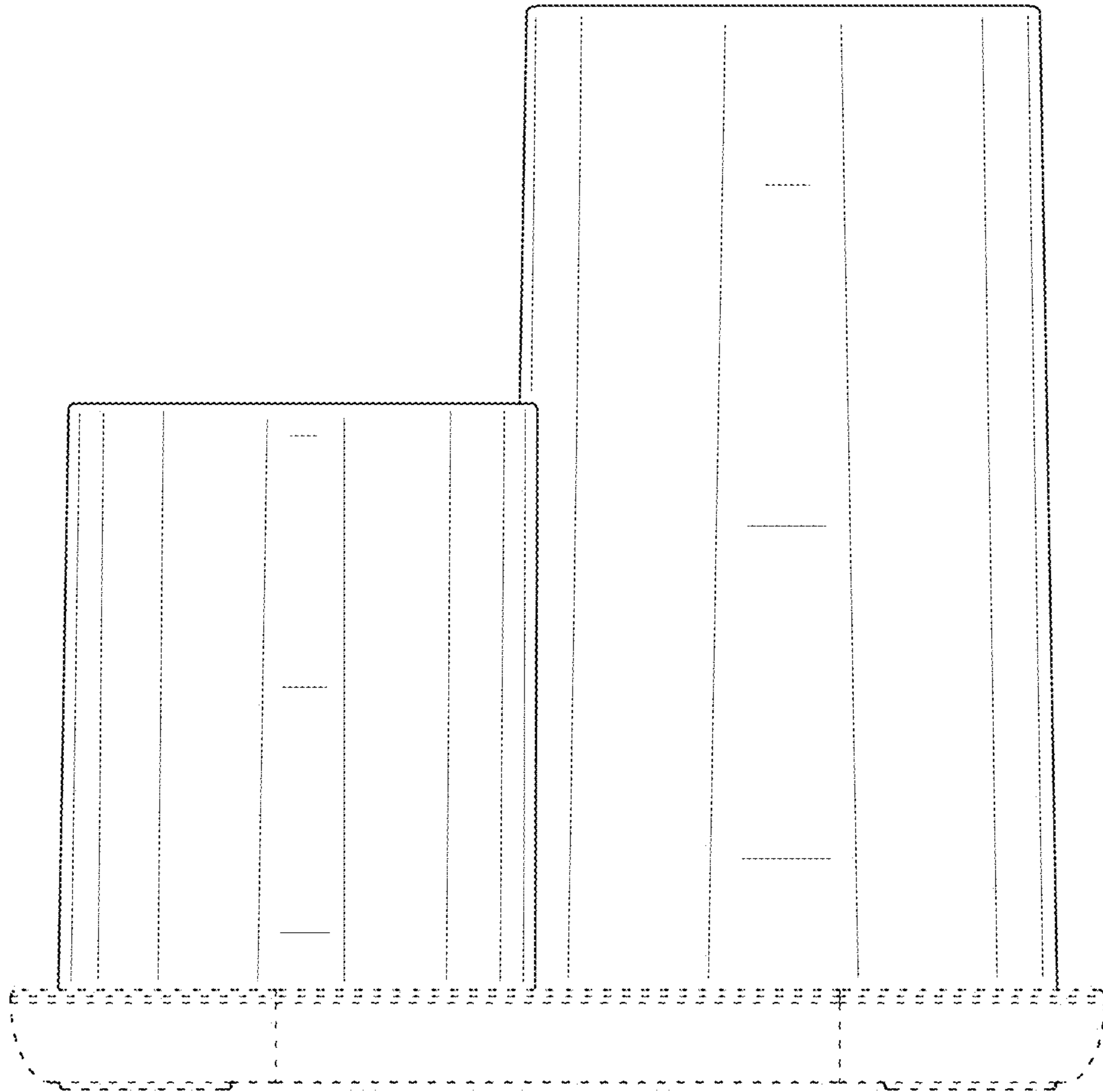


FIG. 5

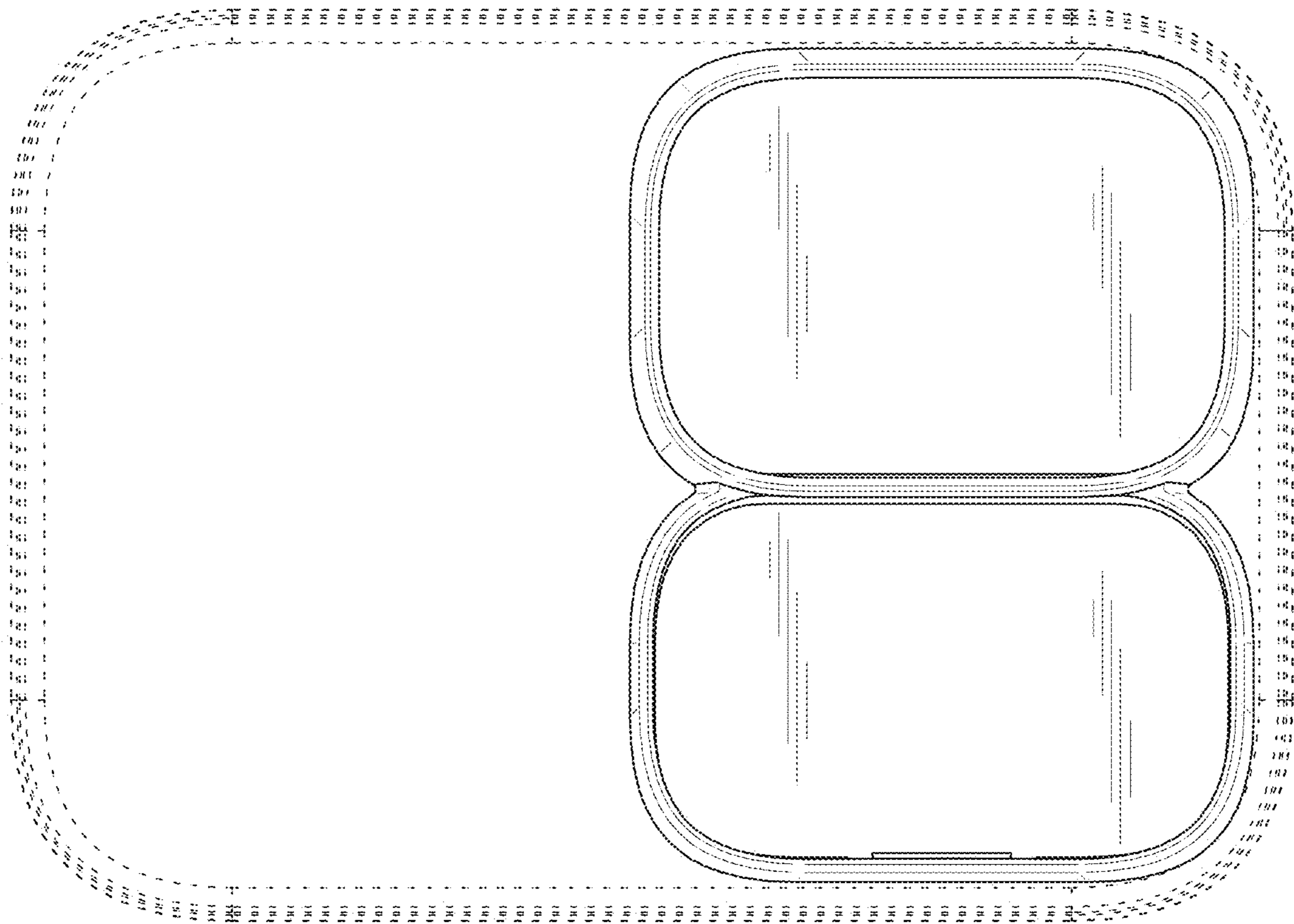


FIG. 6

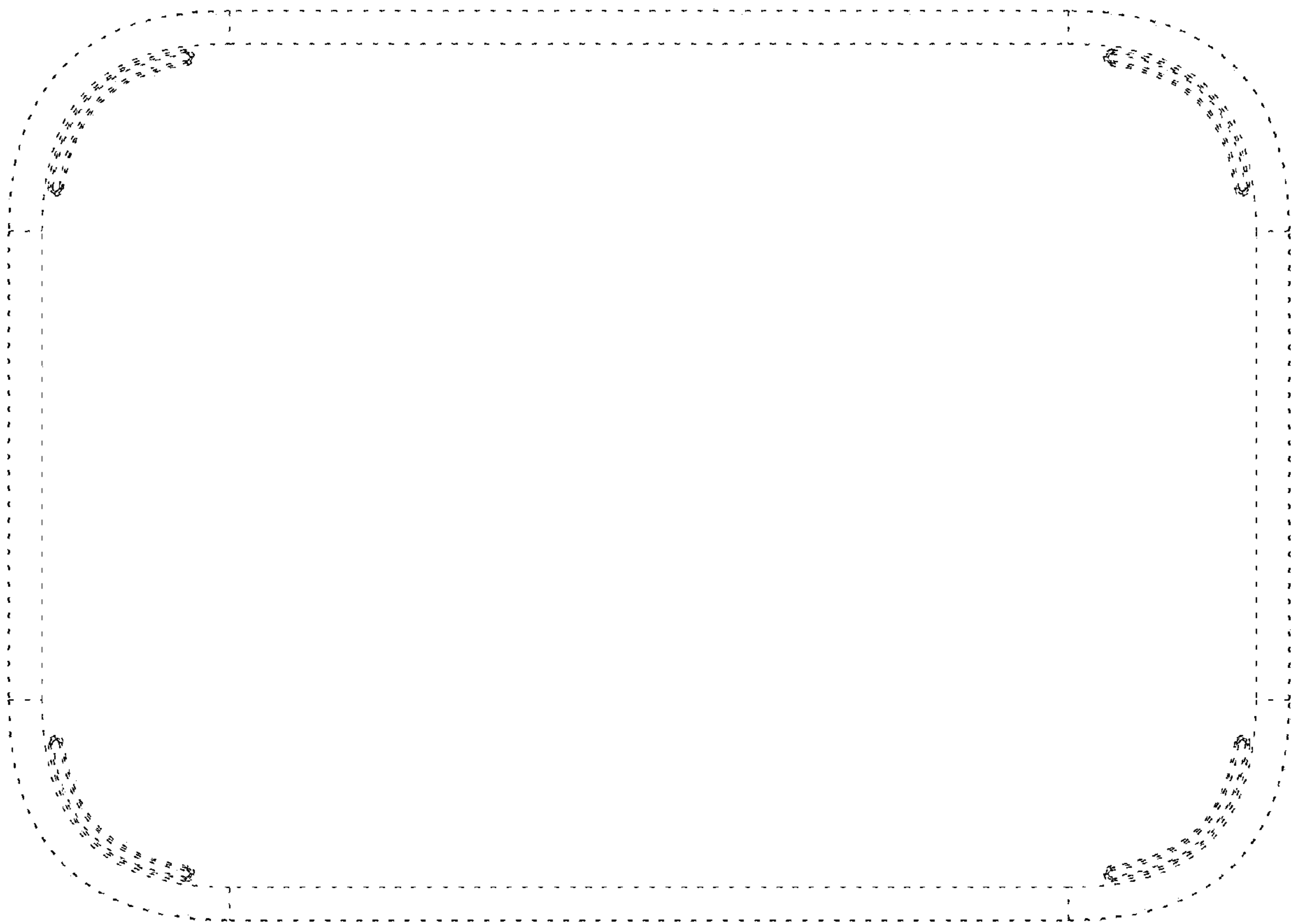


FIG. 7

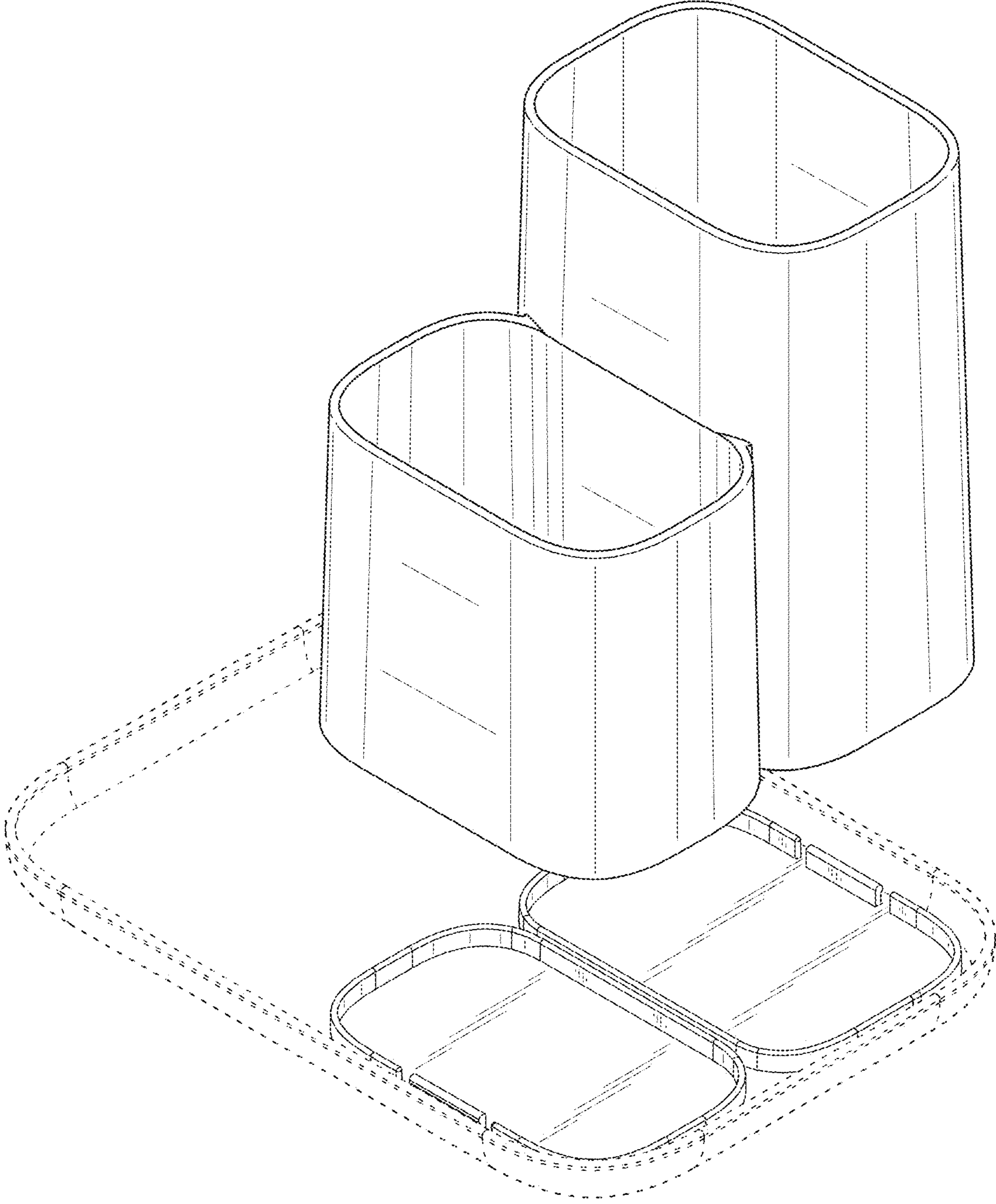


FIG. 8

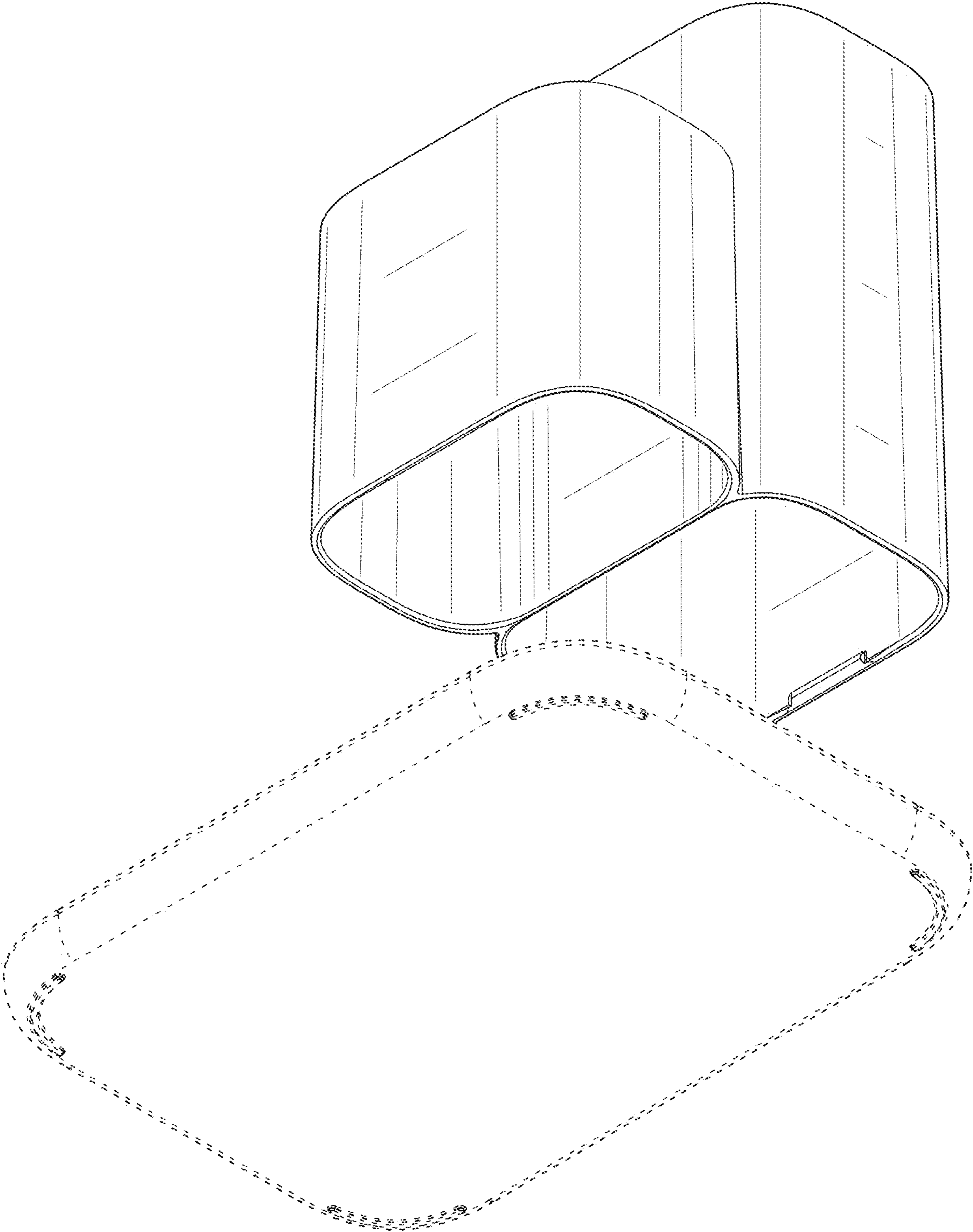


FIG. 9