



US00D901255S

(12) **United States Design Patent** (10) **Patent No.:** **US D901,255 S**
Samartgis (45) **Date of Patent:** **** *Nov. 10, 2020**

(54) **CONTAINER BASE**

(71) Applicant: **THE DECOR CORPORATION PTY LTD**, Scoresby (AU)

(72) Inventor: **Jim Samartgis**, Bulleen (AU)

(73) Assignee: **THE DECOR CORPORATION PTY LTD.**, Scoresby (AU)

(*) Notice: This patent is subject to a terminal disclaimer.

(**) Term: **15 Years**

(21) Appl. No.: **29/628,764**

(22) Filed: **Dec. 7, 2017**

(51) **LOC (12) Cl.** **09-07**

(52) **U.S. Cl.**
USPC **D7/630**

(58) **Field of Classification Search**
USPC D7/505, 513, 553.1–553.3, 554.3–555, D7/590, 592, 596–597, 600–600.1,
(Continued)

(56) **References Cited**

U.S. PATENT DOCUMENTS

D355,814 S * 2/1995 VanValkenburg D7/538
D377,739 S * 2/1997 Carlson D7/602
(Continued)

FOREIGN PATENT DOCUMENTS

EP 004539385-0004 * 12/2017
EP 004539385-0005 * 12/2017
(Continued)

OTHER PUBLICATIONS

Match-ups Clips Square 430 ml Container, Décor, décor.com.au, author not listed, published on Apr. 3, 2019 © The Décor Corpo-

ration Pty Ltd, online, site visited Oct. 21, 2019. Available at URL: <https://www.decor.com.au/product/match-ups-clips-square-430ml/> (Year: 2019).*

(Continued)

Primary Examiner — Marissa J Cash
Assistant Examiner — Altaira J Swangin

(74) *Attorney, Agent, or Firm* — Kilpatrick Townsend & Stockton LLP

(57) **CLAIM**

The ornamental design for a container base, as shown and described.

DESCRIPTION

FIG. 1 is top, front perspective view of a first embodiment of a container base showing my new design;
FIG. 2 is a bottom, rear perspective view thereof;
FIG. 3 is a top plan view thereof;
FIG. 4 is a bottom plan view thereof;
FIG. 5 is a front elevational view thereof;
FIG. 6 is a rear elevational view thereof;
FIG. 7 is a left side elevational view thereof; and
FIG. 8 is a right side elevational view thereof.
FIG. 9 is top, front perspective view of a second embodiment of a container base showing my new design;
FIG. 10 is a bottom, rear perspective view thereof;
FIG. 11 is a top plan view thereof;
FIG. 12 is a bottom plan view thereof;
FIG. 13 is a front elevational view thereof;
FIG. 14 is a rear elevational view thereof;
FIG. 15 is a left side elevational view thereof; and
FIG. 16 is a right side elevational view thereof.
FIG. 17 is top, front perspective view of a third embodiment of a container base showing my new design;
FIG. 18 is a bottom, rear perspective view thereof;
FIG. 19 is a top plan view thereof;
FIG. 20 is a bottom plan view thereof;
FIG. 21 is a front elevational view thereof;
FIG. 22 is a rear elevational view thereof;
FIG. 23 is a left side elevational view thereof; and
FIG. 24 is a right side elevational view thereof.

(Continued)

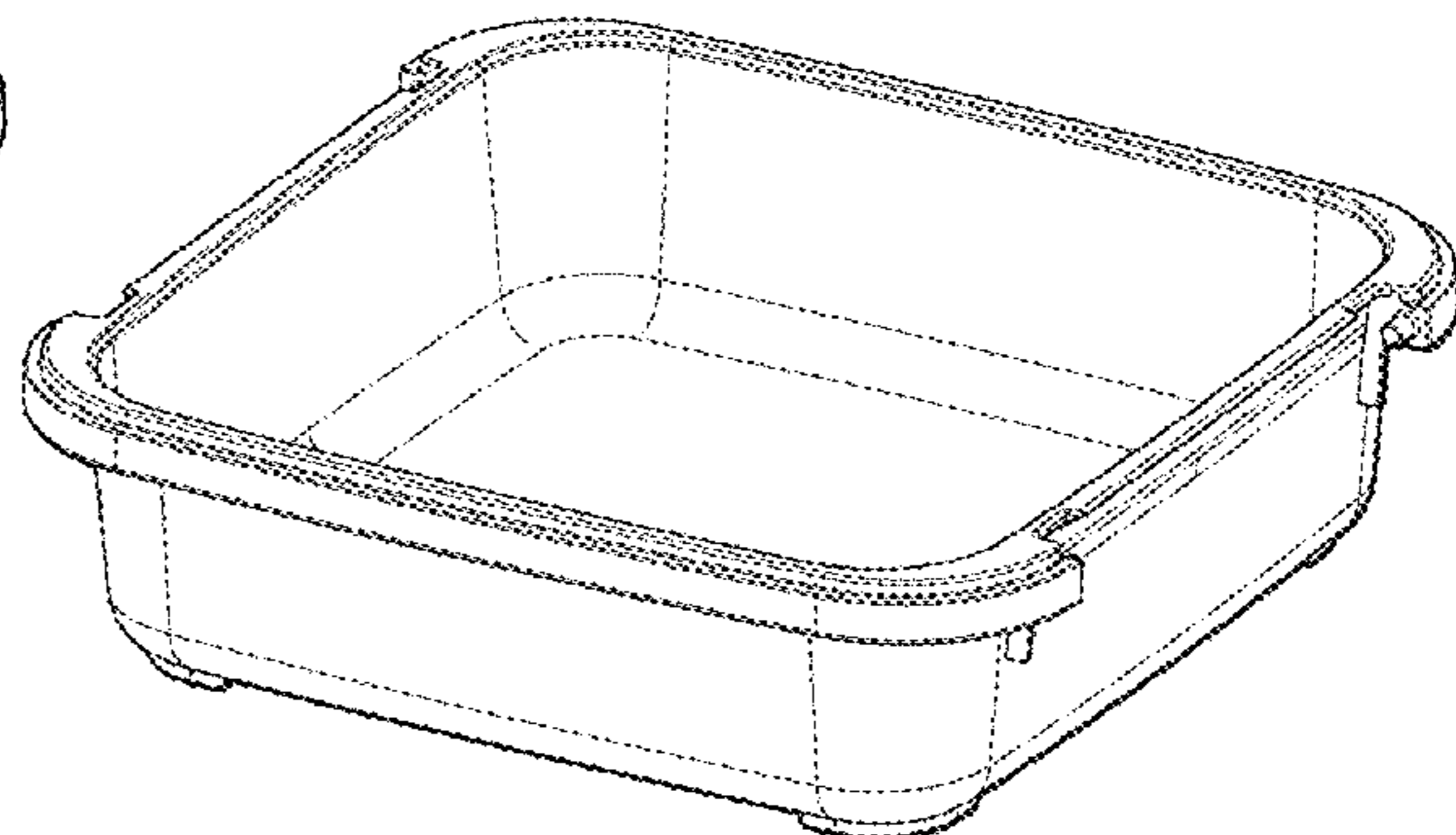
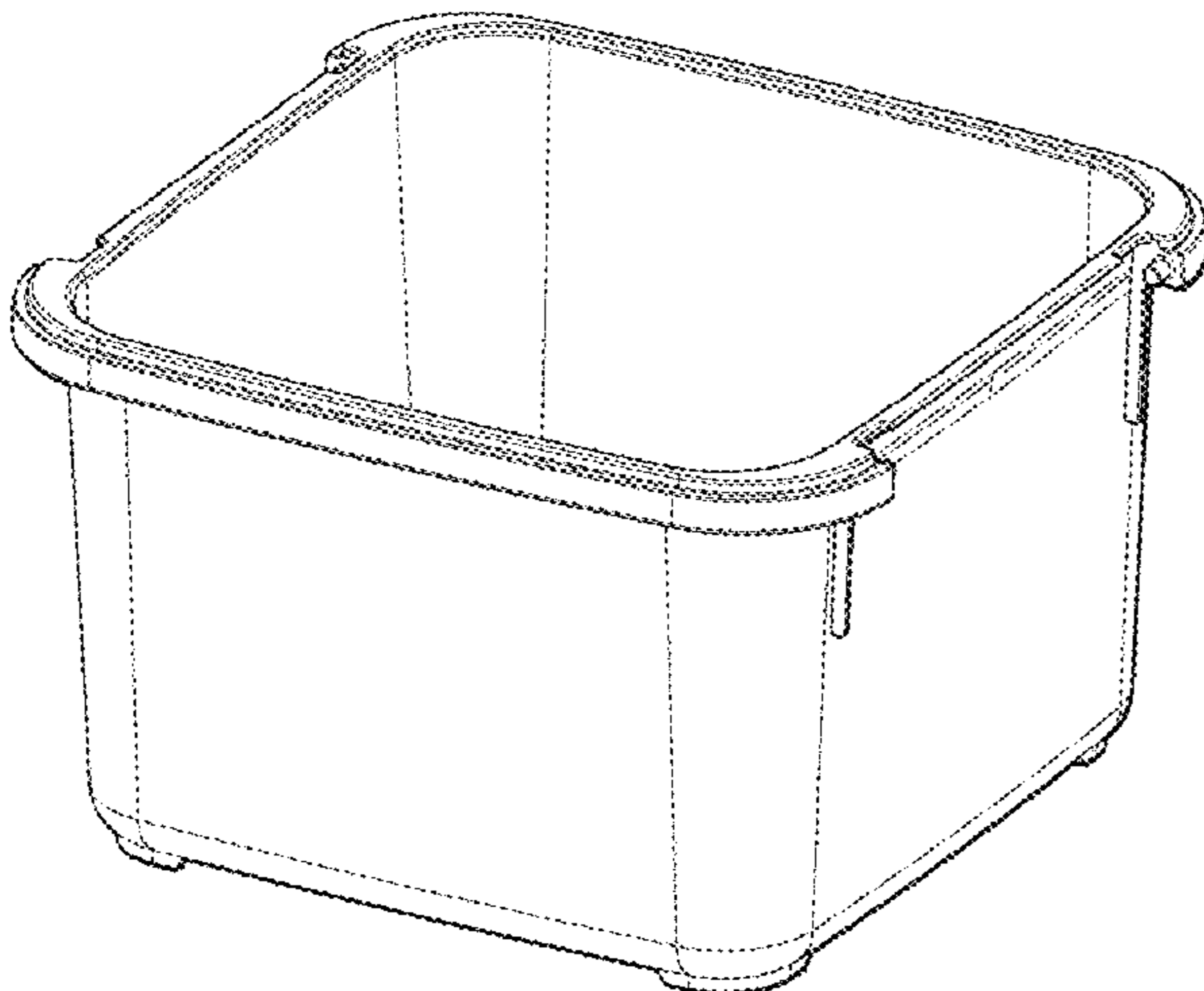


FIG. 25 is top, front perspective view of a fourth embodiment of a container base showing my new design;
 FIG. 26 is a bottom, rear perspective view thereof;
 FIG. 27 is a top plan view thereof;
 FIG. 28 is a bottom plan view thereof;
 FIG. 29 is a front elevational view thereof;
 FIG. 30 is a rear elevational view thereof;
 FIG. 31 is a left side elevational view thereof; and,
 FIG. 32 is a right side elevational view thereof.
 Broken lines shown in the drawings form no part of the claimed design.

1 Claim, 28 Drawing Sheets

(58) Field of Classification Search

USPC D7/600.3–600.4, 602, 611, 614–615,
 D7/619.1, 630, 701, 704, 629; D6/675,
 D6/675.1–675.2, 675.5, 680–680.2, 680.3,
 D6/681, 690–691; 211/30, 73–74;
 D9/747, 751–753, 756–760, 762;
 206/129, 712, 736; D19/92, 101–105,
 D19/107; D32/53, 53.1, 55
 CPC F16M 11/00; A47K 1/09; A47F 7/0064;
 A47J 47/02; A47J 47/06; A47J 47/10;
 B65D 1/36; B65D 81/3446; B65D 1/00;
 B65D 45/12; B65D 45/16; B65D 45/18;
 B65D 45/20; B65D 45/22; B65D 45/30;
 B65D 45/322; A47G 23/04; A47G
 23/0683; A47G 23/06

See application file for complete search history.

(56) References Cited

U.S. PATENT DOCUMENTS

D403,924 S * 1/1999 Carlson D7/602
 7,325,698 B2 * 2/2008 Halbmaier H01L 21/67373
 206/710
 D568,693 S * 5/2008 Furlong D7/629
 D601,386 S * 10/2009 Carlson D7/602
 D601,387 S * 10/2009 Carlson D7/602
 D601,857 S * 10/2009 Carlson D7/602
 D618,516 S * 6/2010 DiPietro D7/629
 D630,900 S * 1/2011 Samartgis D7/602
 D630,901 S * 1/2011 Samartgis D7/602
 D631,300 S * 1/2011 Samartgis D7/602
 D643,251 S * 8/2011 Stamper D7/602
 D643,710 S * 8/2011 Samartgis D9/424
 D649,839 S * 12/2011 Stamper D7/602
 D655,576 S * 3/2012 Samartgis D7/602
 D672,612 S * 12/2012 Stamper D7/602
 D696,075 S * 12/2013 Mashike D7/605
 8,714,394 B2 * 5/2014 Wulf B65D 43/0212
 220/326
 8,839,491 B2 * 9/2014 Kim B65D 45/20
 16/110.1
 8,863,975 B2 * 10/2014 McCanless B65D 41/02
 220/324
 D717,122 S * 11/2014 Carlson D7/602
 9,108,766 B2 * 8/2015 Gosen B65D 21/0223
 D741,170 S * 10/2015 Thurin D7/629
 D759,421 S * 6/2016 Wiggins D7/602

D759,478 S * 6/2016 Fife D9/425
 D784,125 S * 4/2017 Fife D9/425
 D797,552 S * 9/2017 Thurin D7/602
 D803,631 S * 11/2017 Min D7/605
 D810,285 S * 2/2018 Adams D24/123
 D825,285 S * 8/2018 Bergne D7/629
 D829,545 S * 10/2018 Thurin D9/425
 D836,408 S * 12/2018 Pereira Da Silva D7/629
 D838,108 S * 1/2019 Samartgis D3/318
 D838,484 S * 1/2019 Samartgis D3/318
 10,442,609 B2 * 10/2019 Bagley B65D 43/166
 2007/0235452 A1 * 10/2007 Killinger B42F 17/08
 220/326
 2009/0289066 A1 * 11/2009 DiPietro B65D 43/0212
 220/324
 2010/0200588 A1 * 8/2010 Bergman B65D 81/2038
 220/203.01
 2010/0276422 A1 * 11/2010 Vovan B65D 43/021
 220/260
 2012/0267369 A1 * 10/2012 Duvigneau B29C 45/0081
 220/203.01
 2013/0020325 A1 * 1/2013 Stone B65D 43/0268
 220/270
 2013/0032597 A1 * 2/2013 Anderson B65F 1/1623
 220/324
 2013/0186897 A1 * 7/2013 Luburic B65D 25/32
 220/265
 2013/0233855 A1 * 9/2013 DeSiena B65D 45/16
 220/324
 2014/0110422 A1 * 4/2014 Tuan 220/799
 2015/0014320 A1 * 1/2015 Koo B65D 45/20
 220/324
 2015/0232242 A1 * 8/2015 Carlson B65D 53/02
 220/367.1
 2015/0266647 A1 * 9/2015 Lui B65D 81/2015
 220/203.19
 2016/0000271 A1 * 1/2016 Park B65D 81/2038
 220/203.29
 2016/0332785 A1 * 11/2016 Sexton B65D 45/20
 2017/0166383 A1 * 6/2017 Moon A47J 47/10
 2018/0249856 A1 * 9/2018 Samartgis A47J 29/02
 2018/0265256 A1 * 9/2018 Fisher, Jr. A45C 11/20
 2018/0265263 A1 * 9/2018 Li B65D 45/20
 2018/0265278 A1 * 9/2018 Bagley B65D 85/50
 2019/0185224 A1 * 6/2019 DeCarlo A45C 13/008
 2019/0233177 A1 * 8/2019 Han B65D 3/00

FOREIGN PATENT DOCUMENTS

IN 306379-0001 * 2/2019
 IN 306377-0001 * 5/2019
 IN 306376-0001 * 9/2019
 KR 300777306.0000 * 12/2014
 KR 300861072.0000 * 6/2016

OTHER PUBLICATIONS

Cookie Tub Model 1334, Sistema, décor.com.au, author not listed, published on Feb. 17, 2013 © 2019 Sistema Plastics, online, site visited Oct. 21, 2019. Available at URL: (Year: 2013).*
 Itsy Bitsy Assorted Kip It 1.2L Sandwich Box, Sistema, amazon.com, published by Sistema on Jan. 24, 2017 © 1996-2019 Amazon.com, Inc., online, site visited Oct. 21, 2019. Available at URL: <https://www.amazon.ca/Sistema-Bitsy-Assorted-Sandwich-Plastic/dp/B0098KK00I> (Year: 2017).*

* cited by examiner

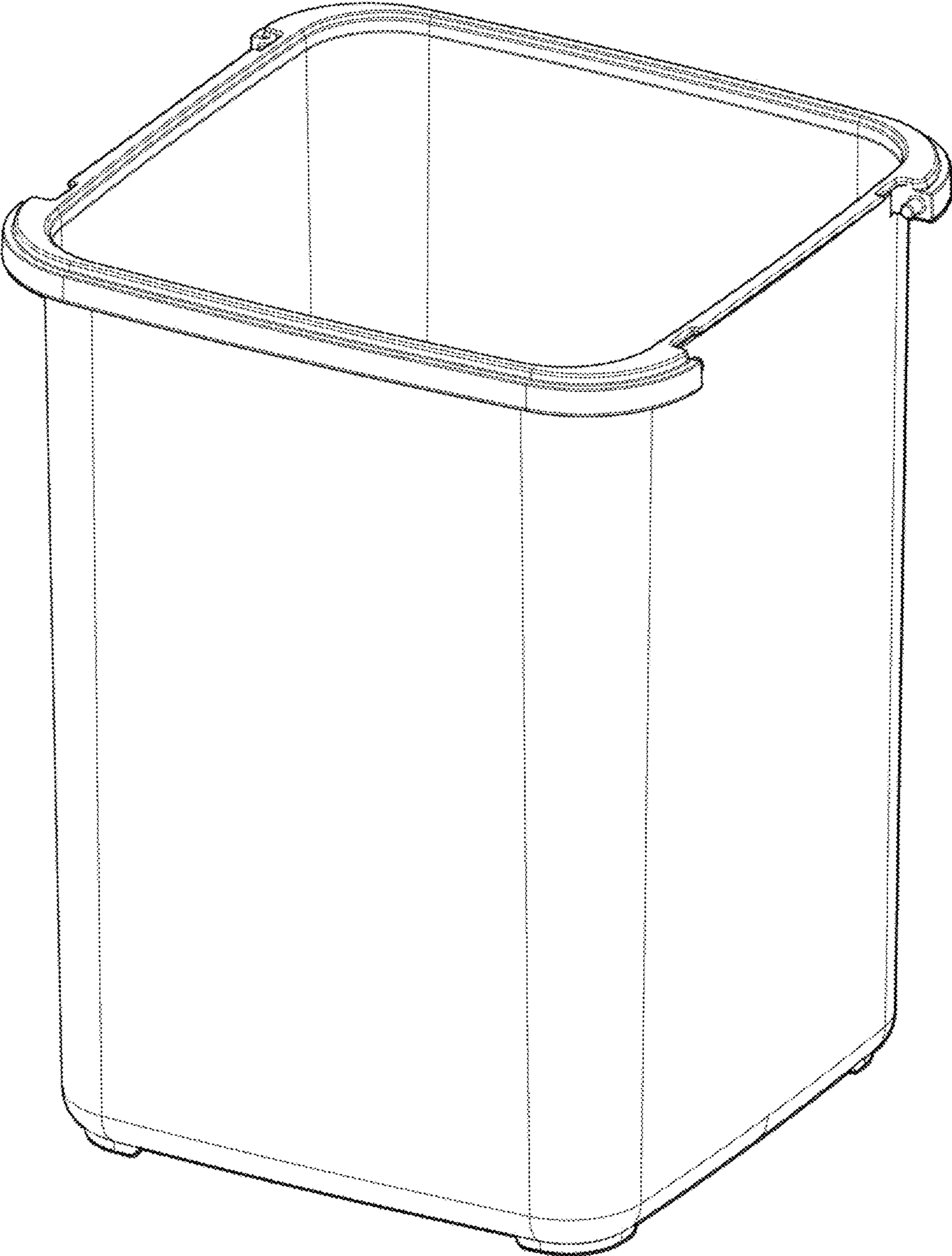


FIGURE 1

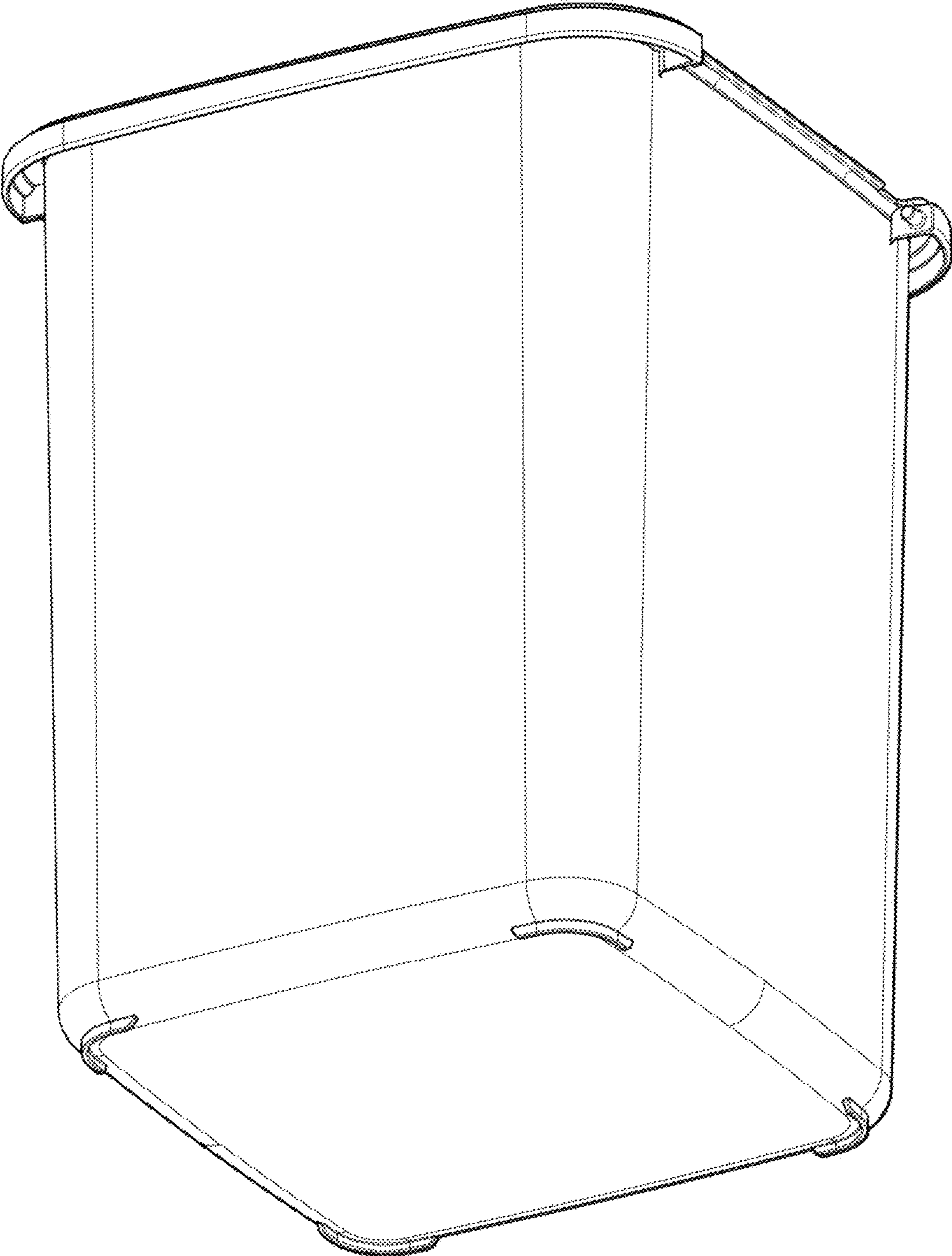


FIGURE 2

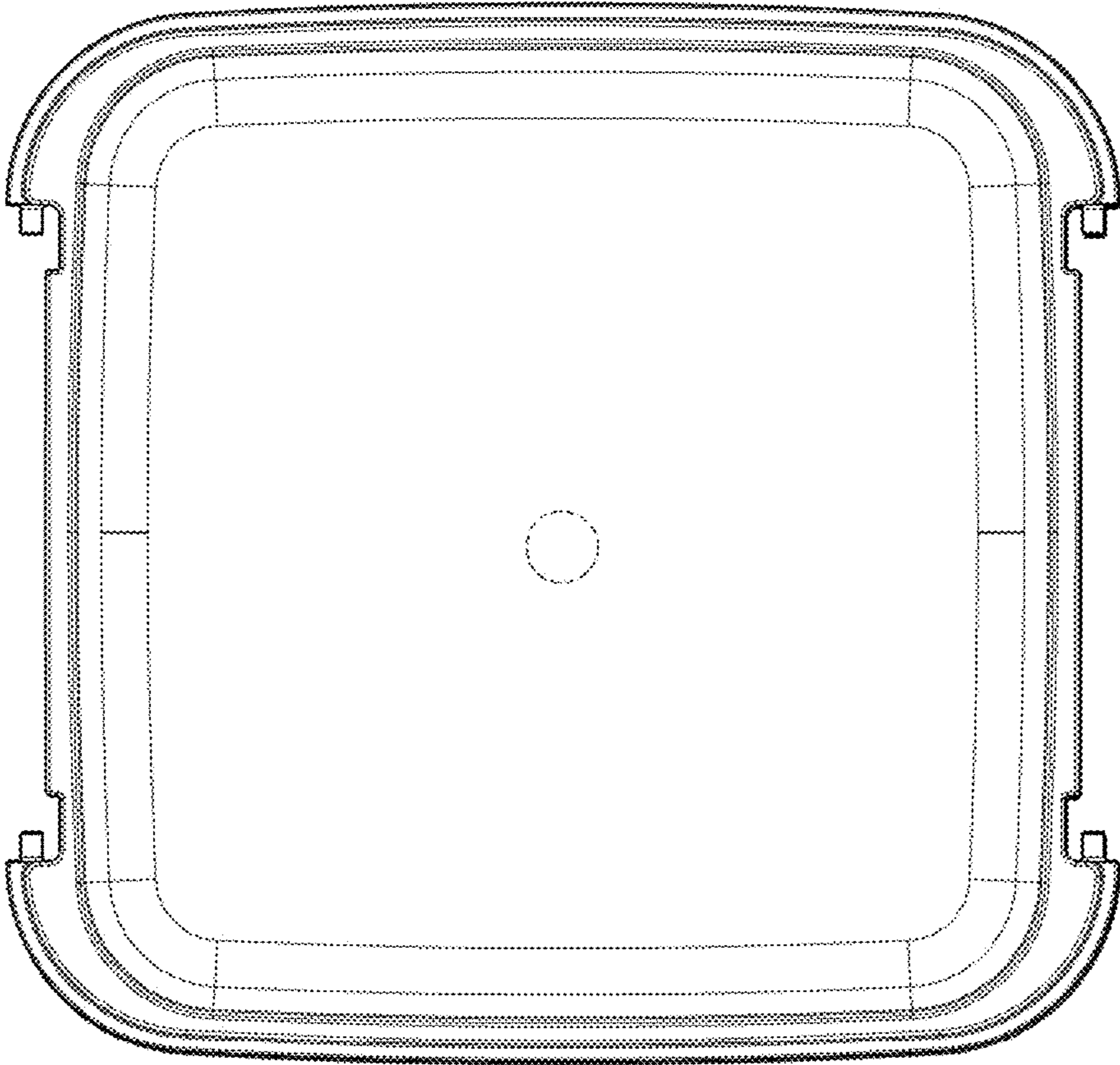


FIGURE 3

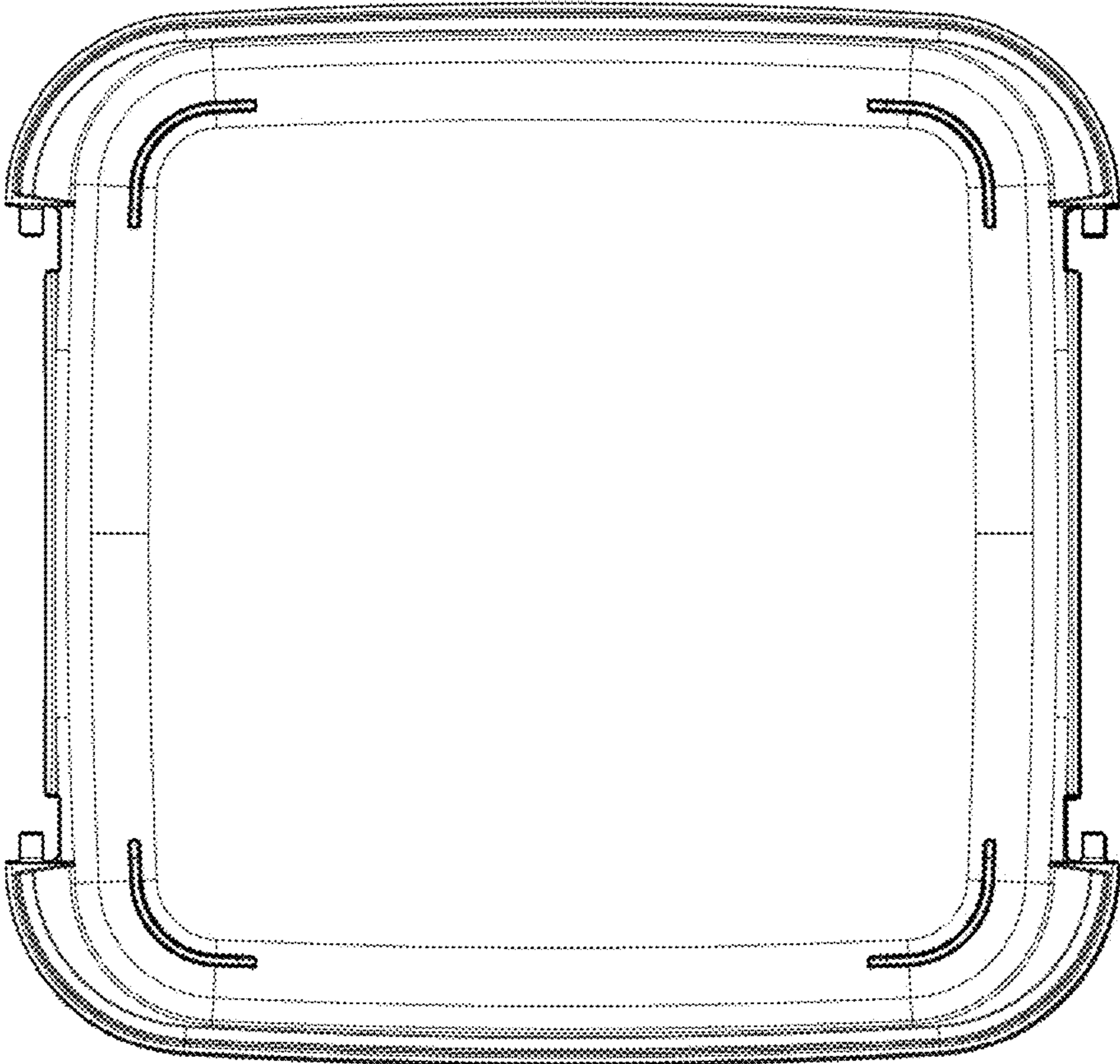


FIGURE 4

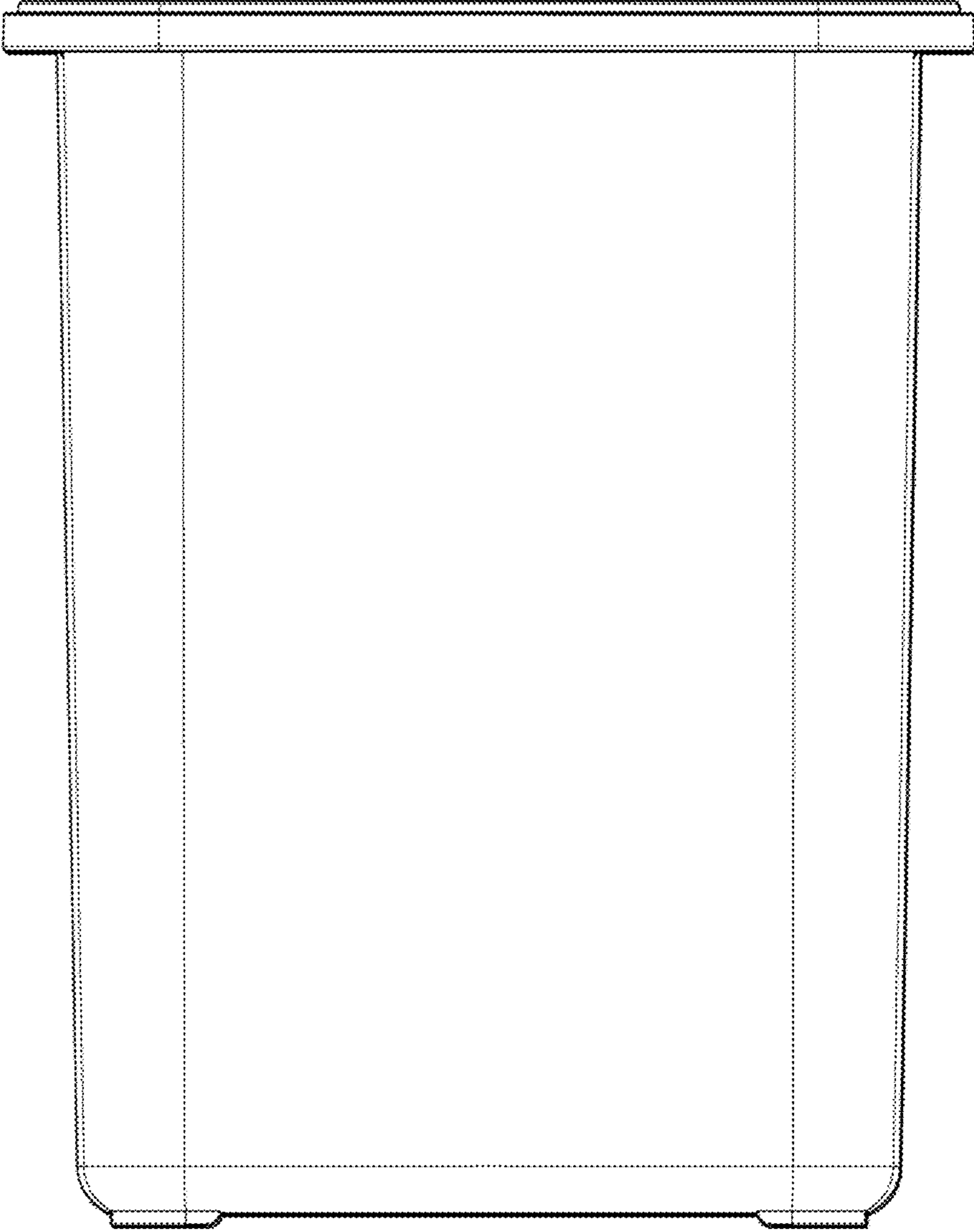


FIGURE 5

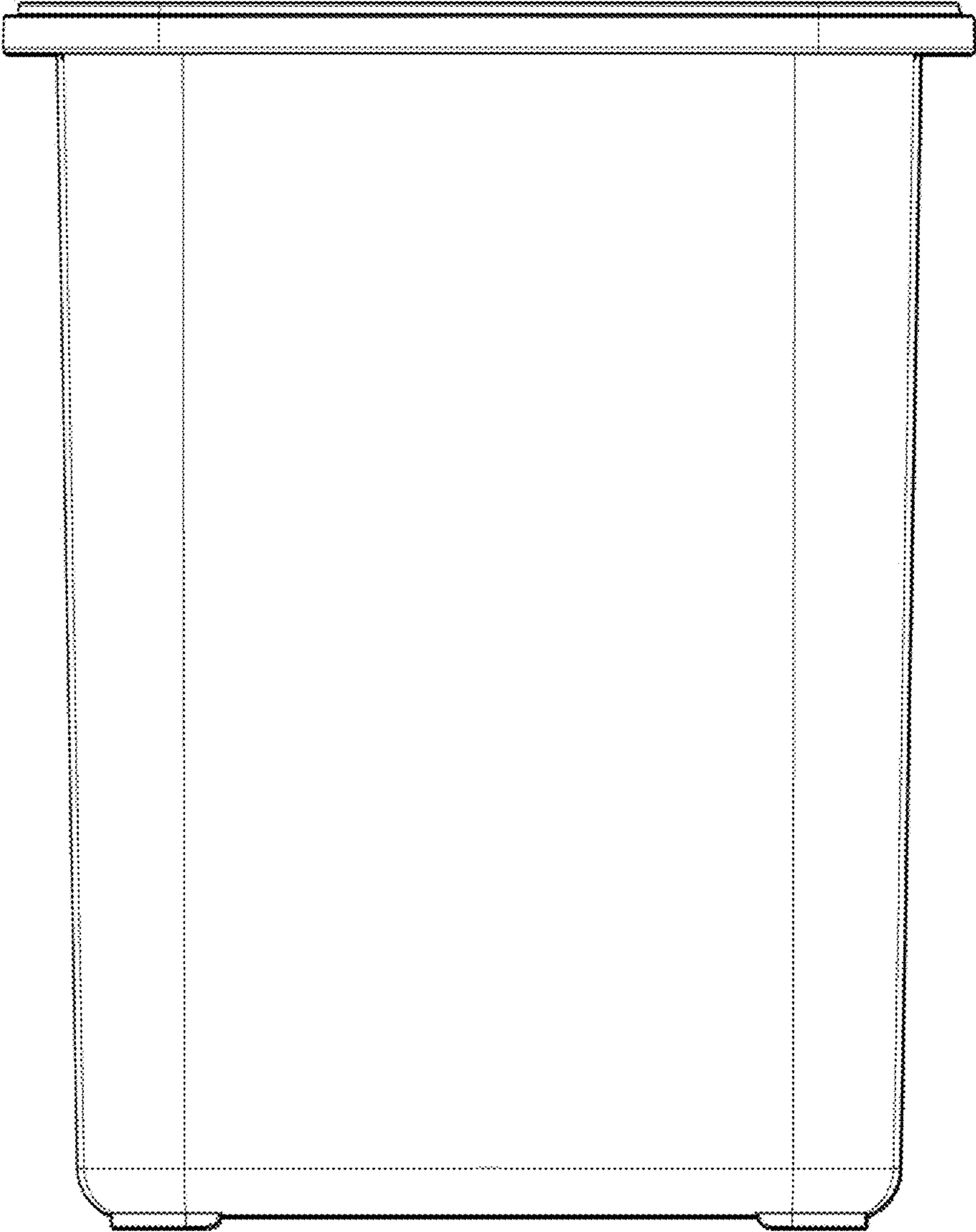


FIGURE 6

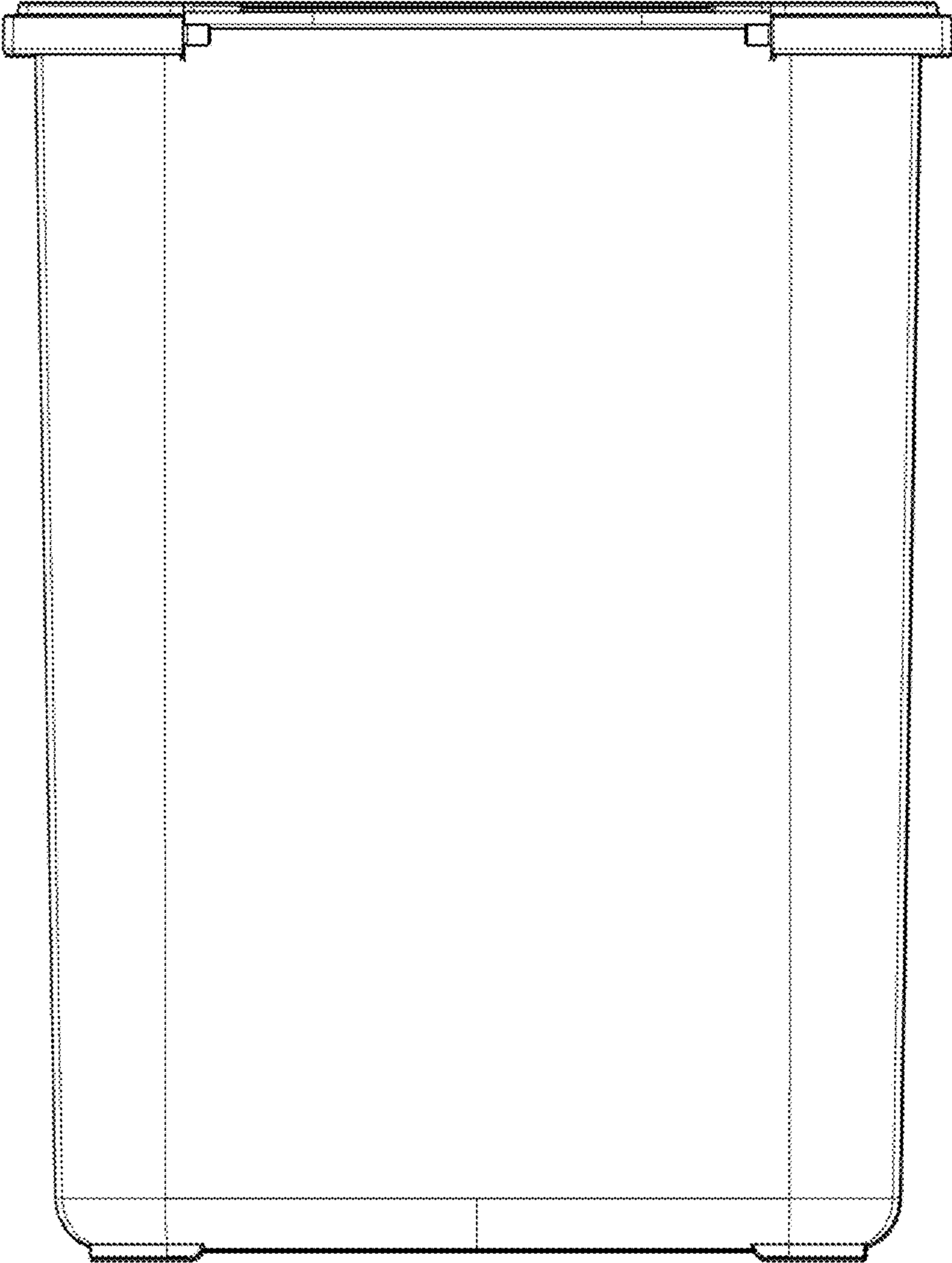


FIGURE 7

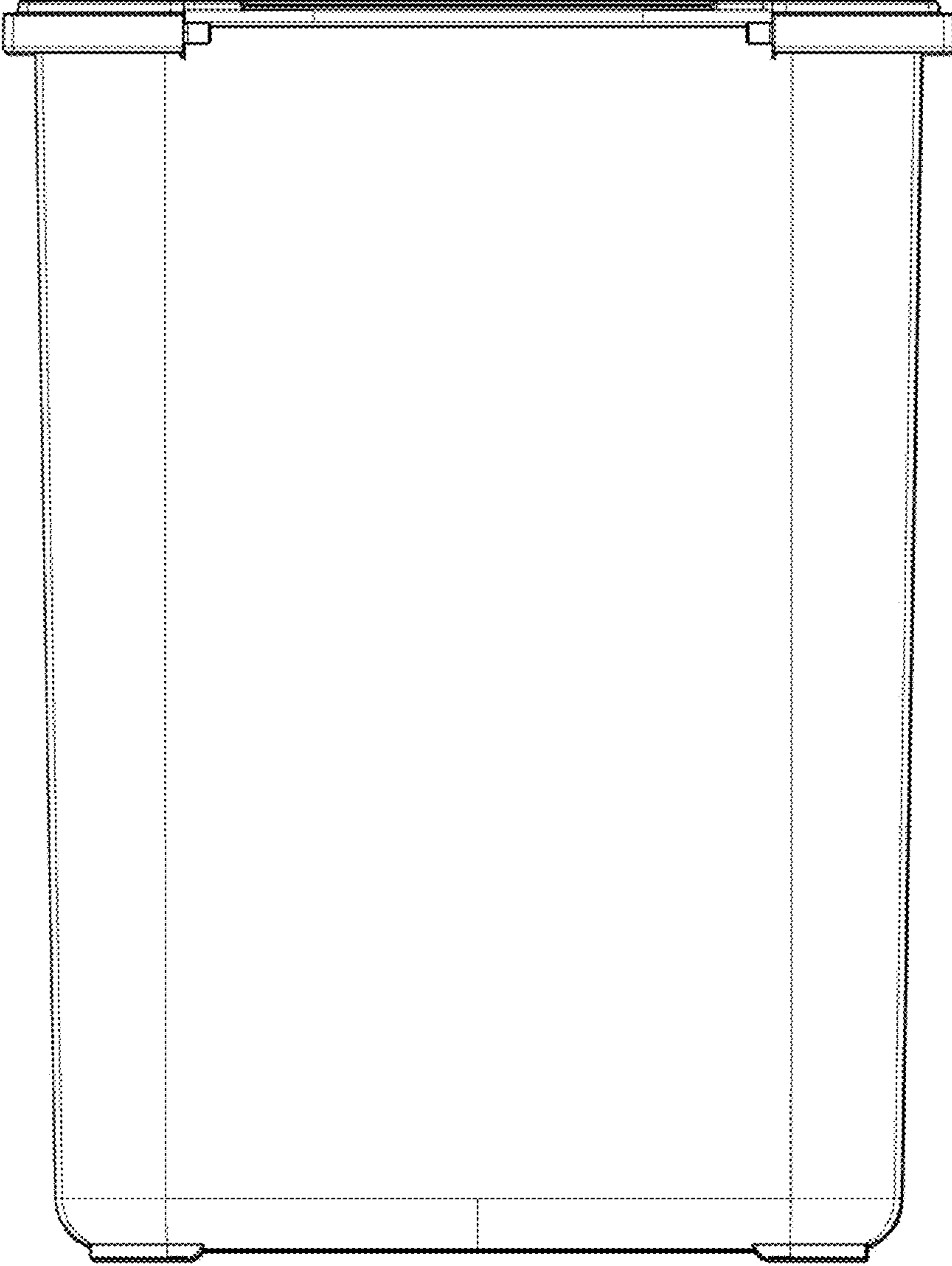


FIGURE 8

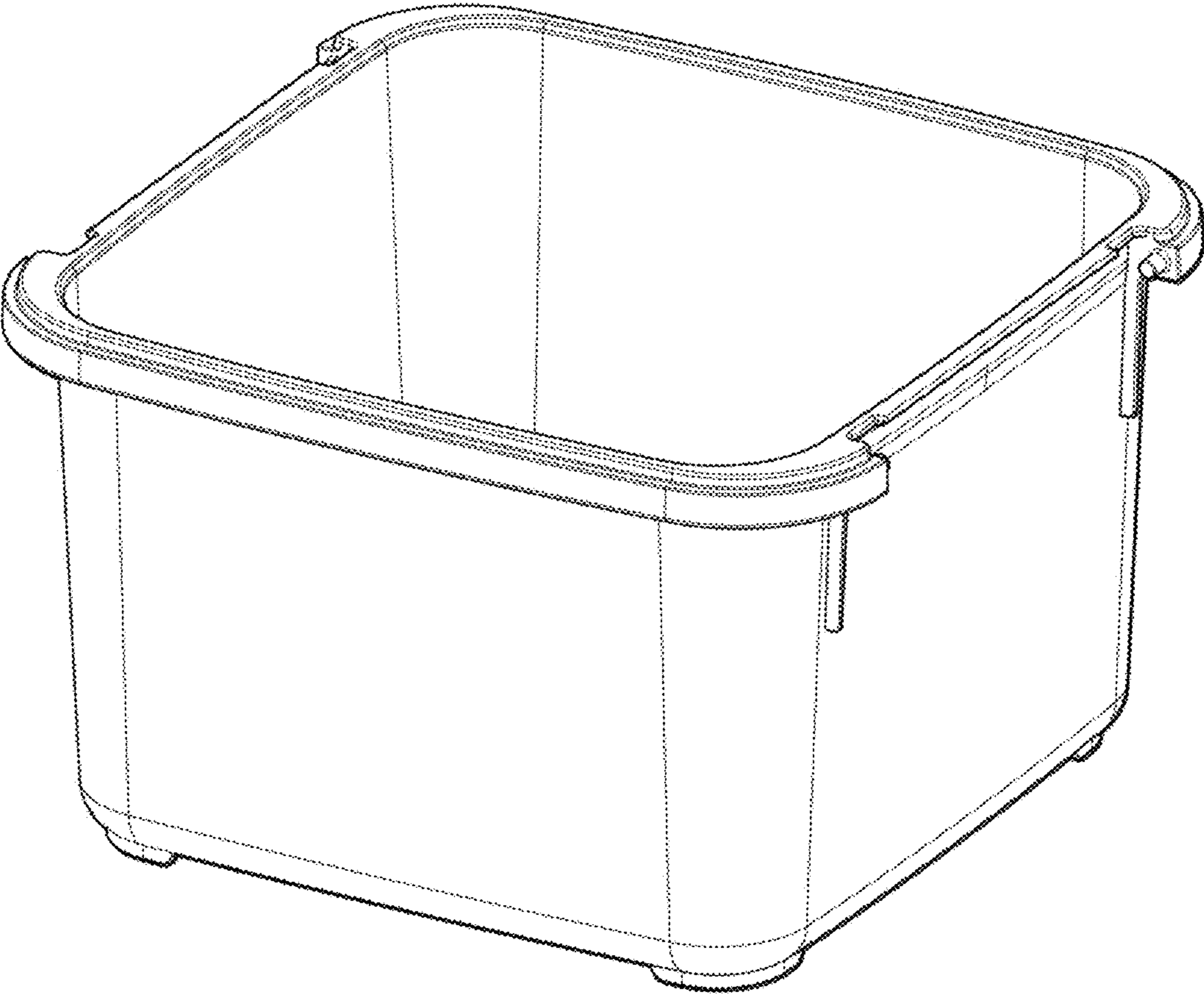


FIGURE 9

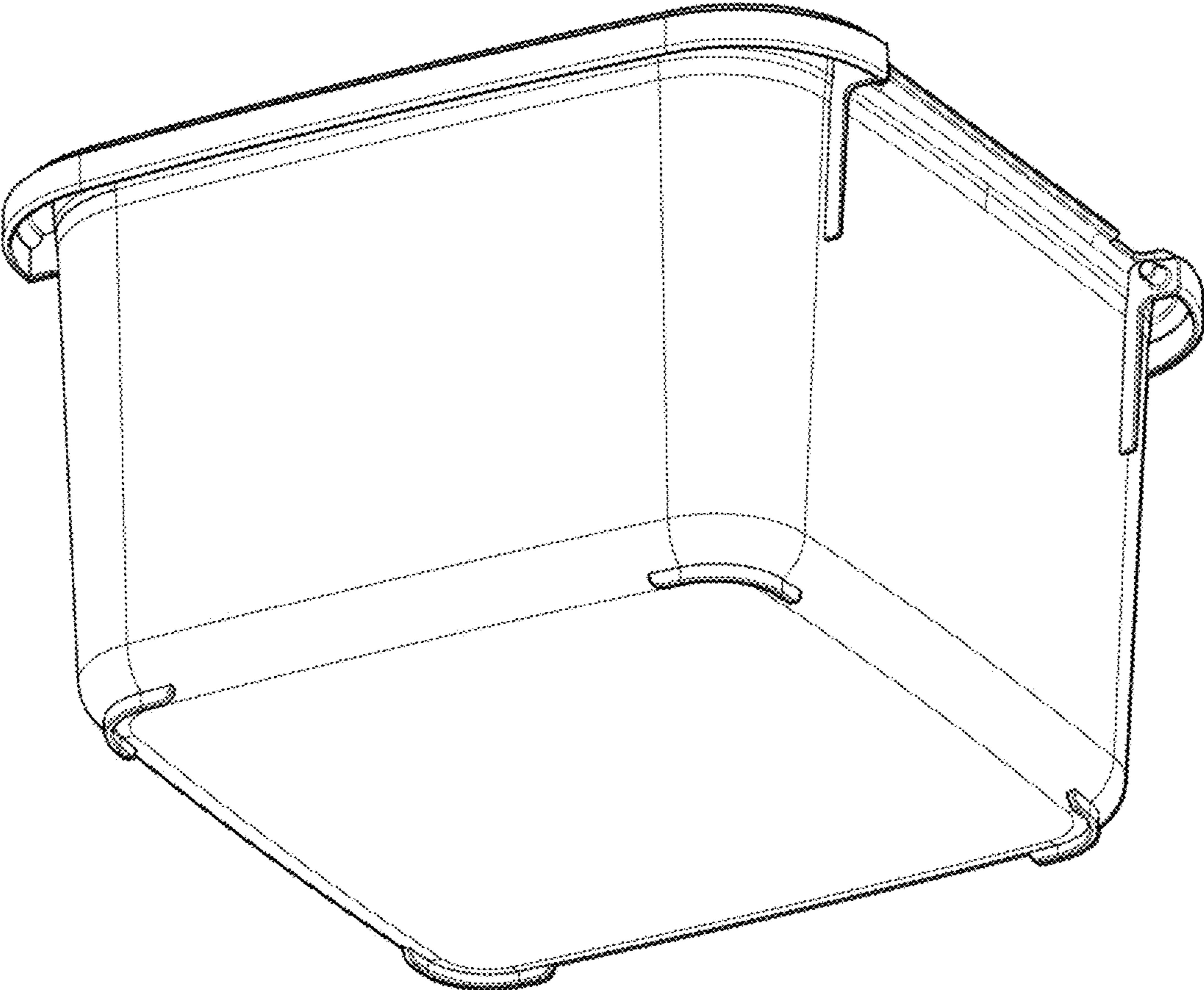


FIGURE 10



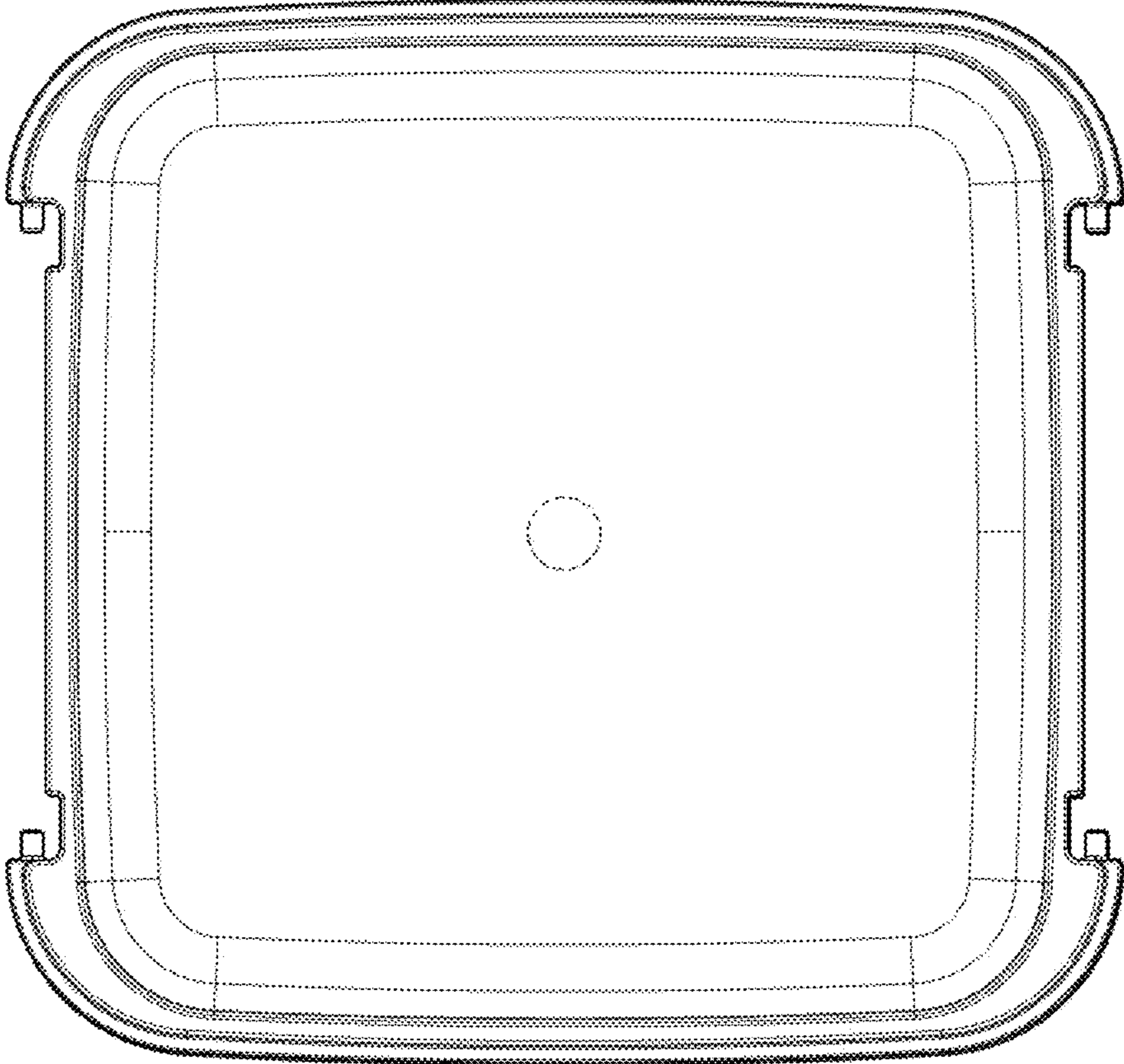


FIGURE 11

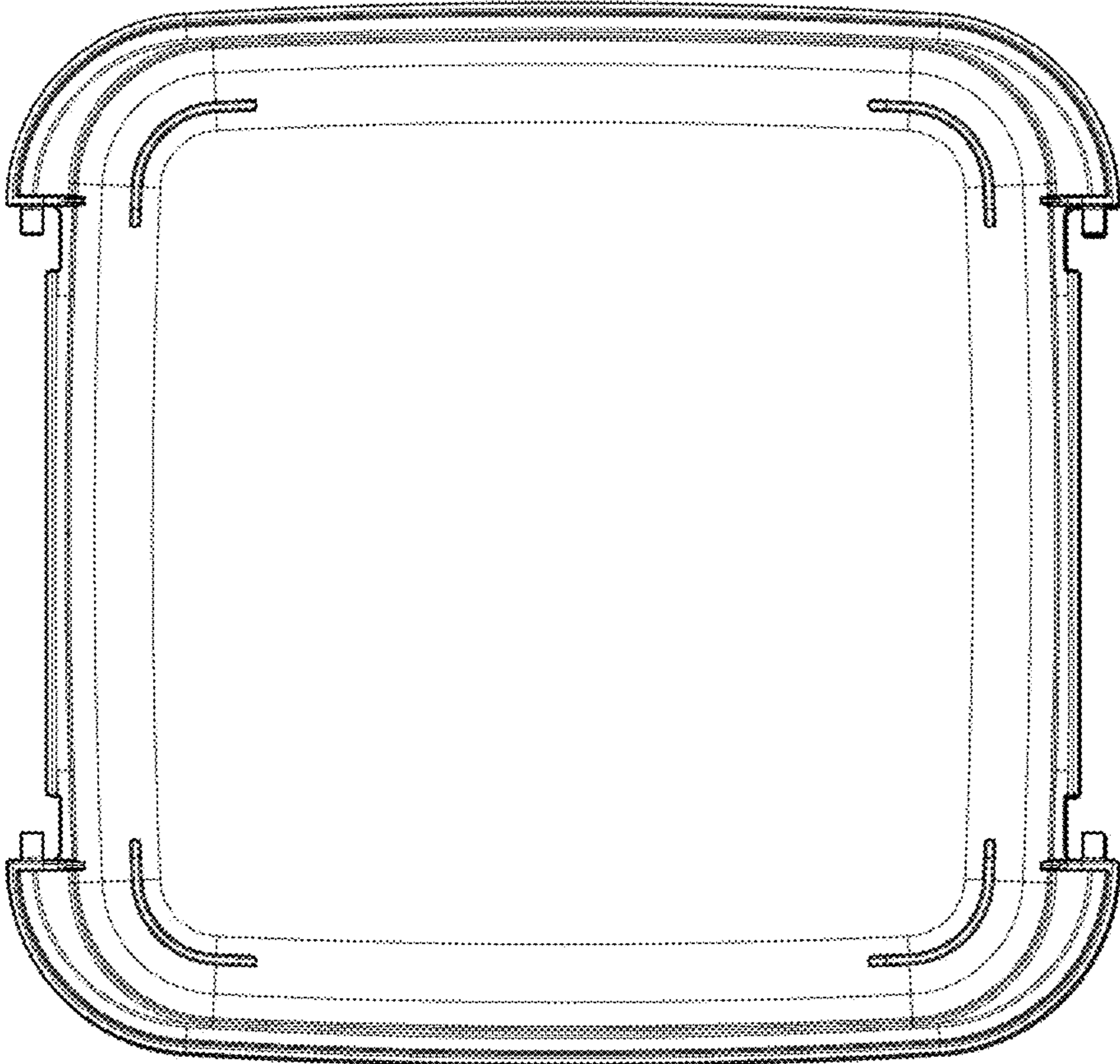


FIGURE 12

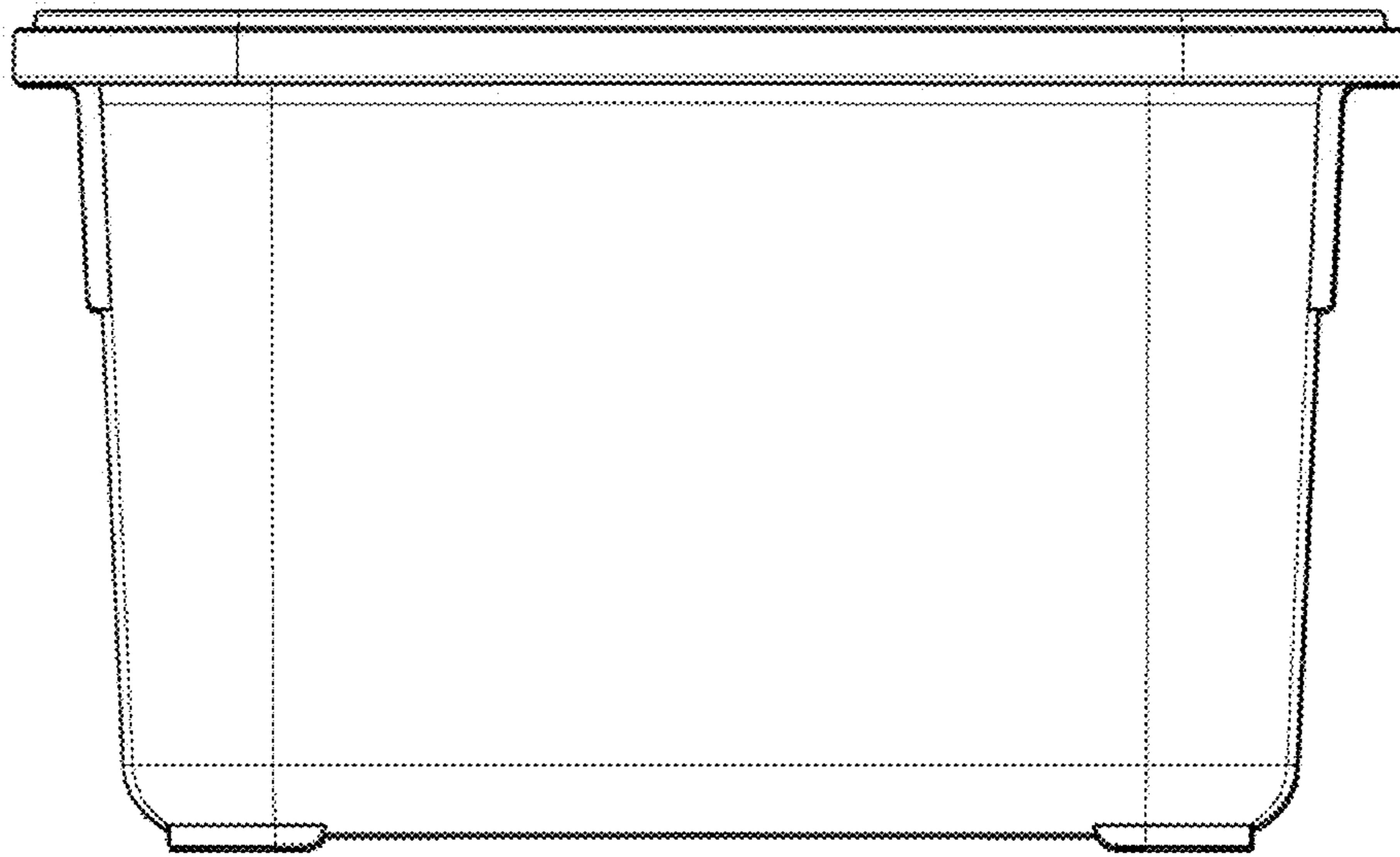


FIGURE 13

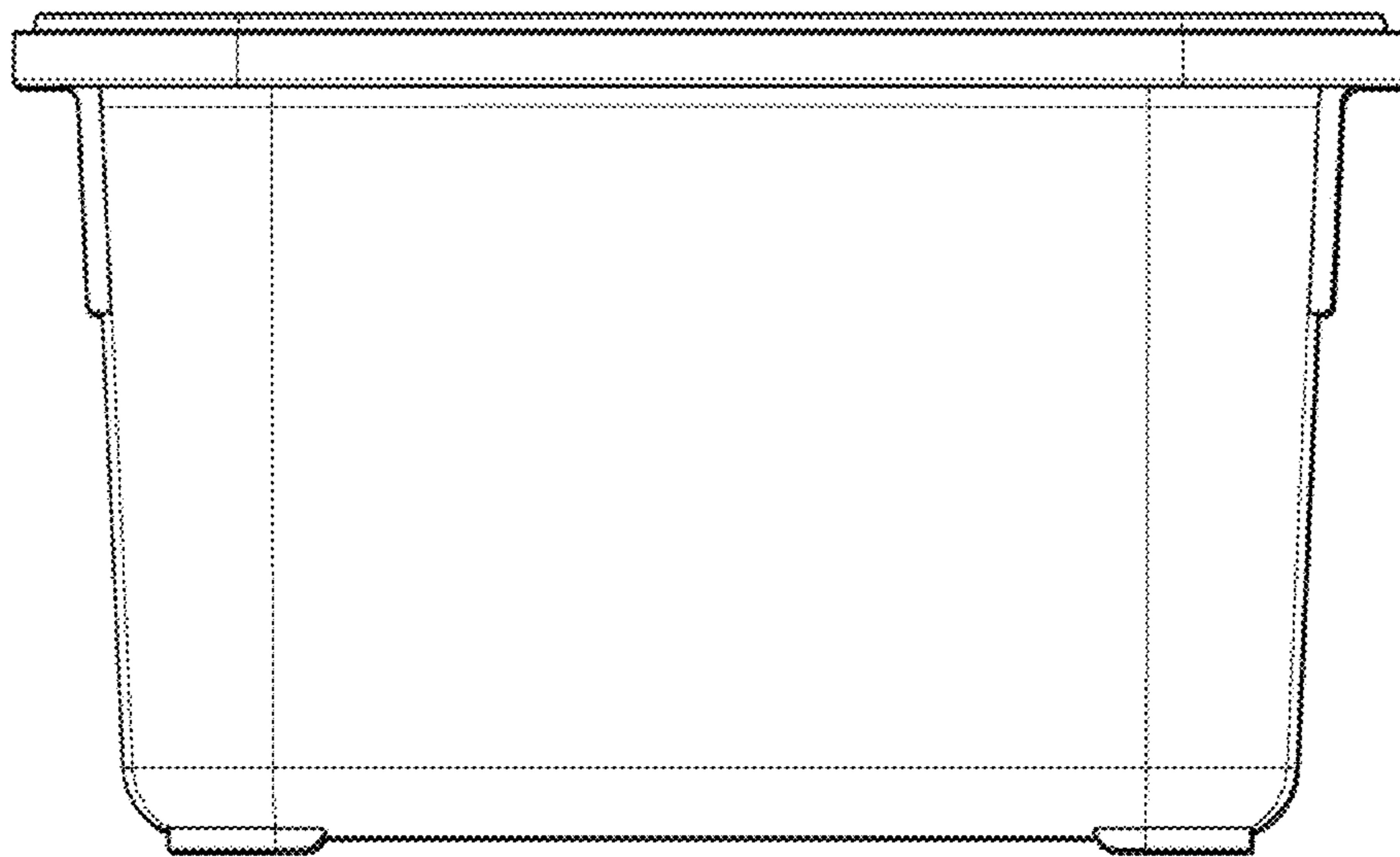


FIGURE 14

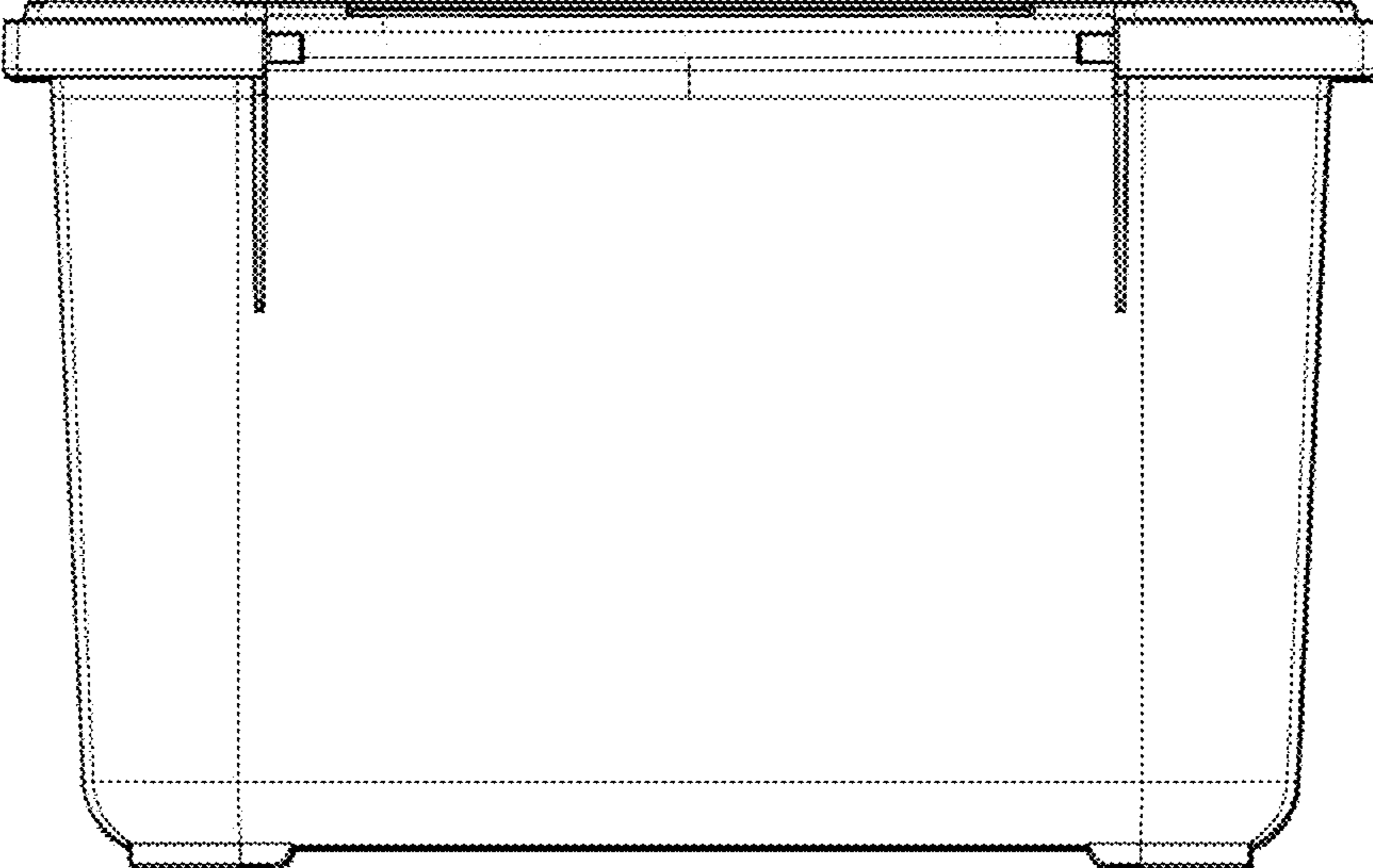


FIGURE 15

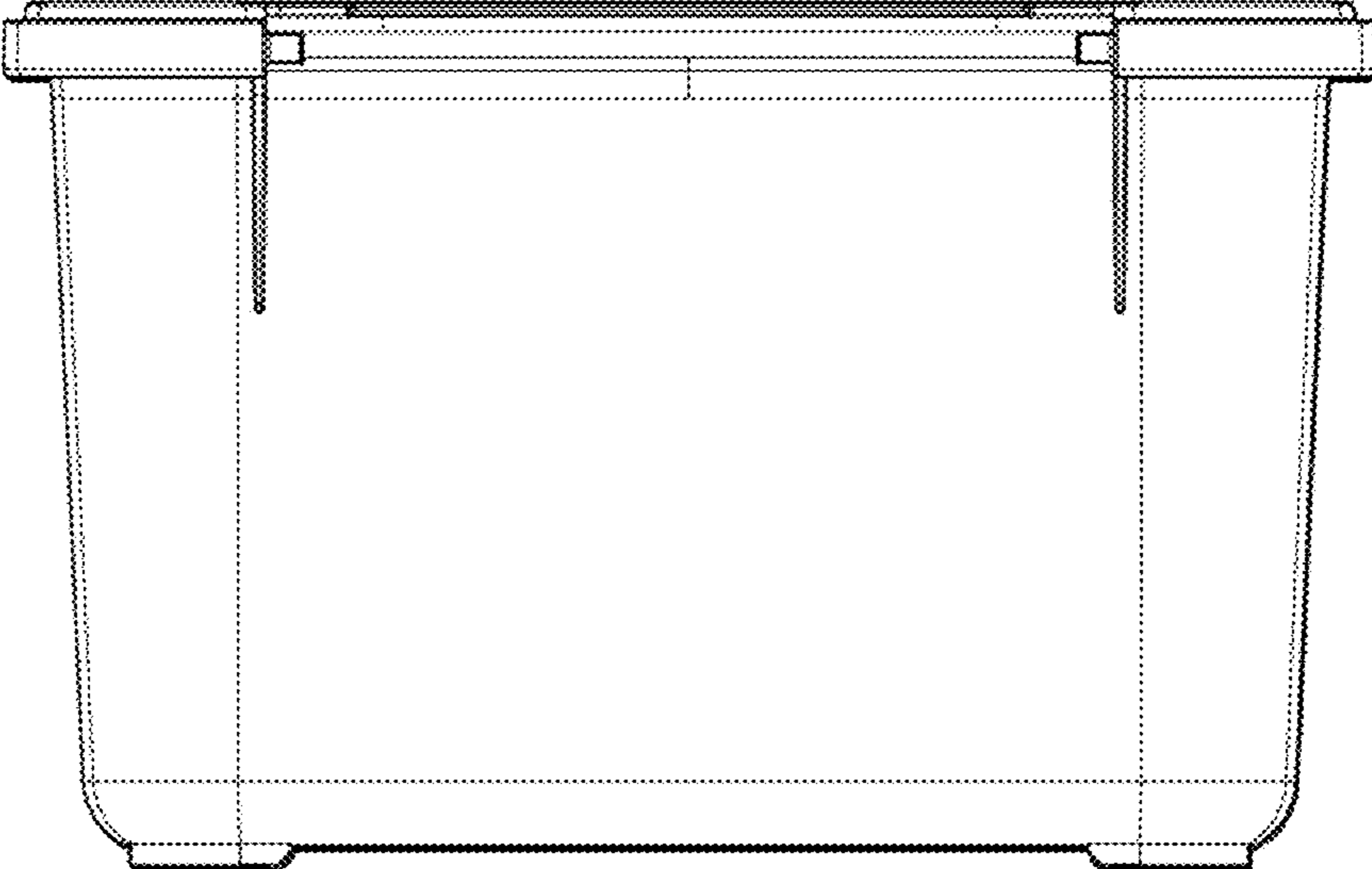


FIGURE 16

FIGURE 17

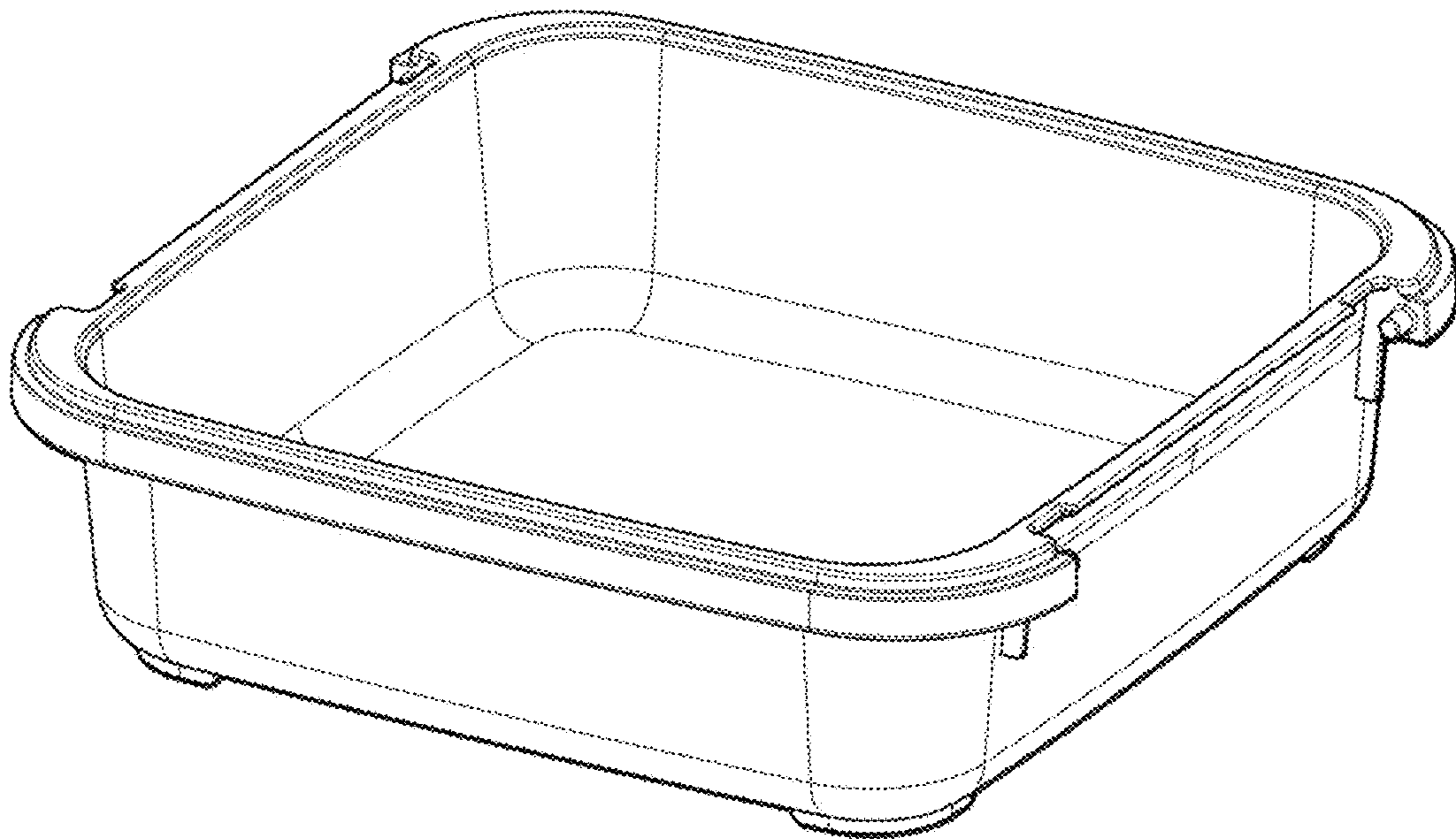


FIGURE 18

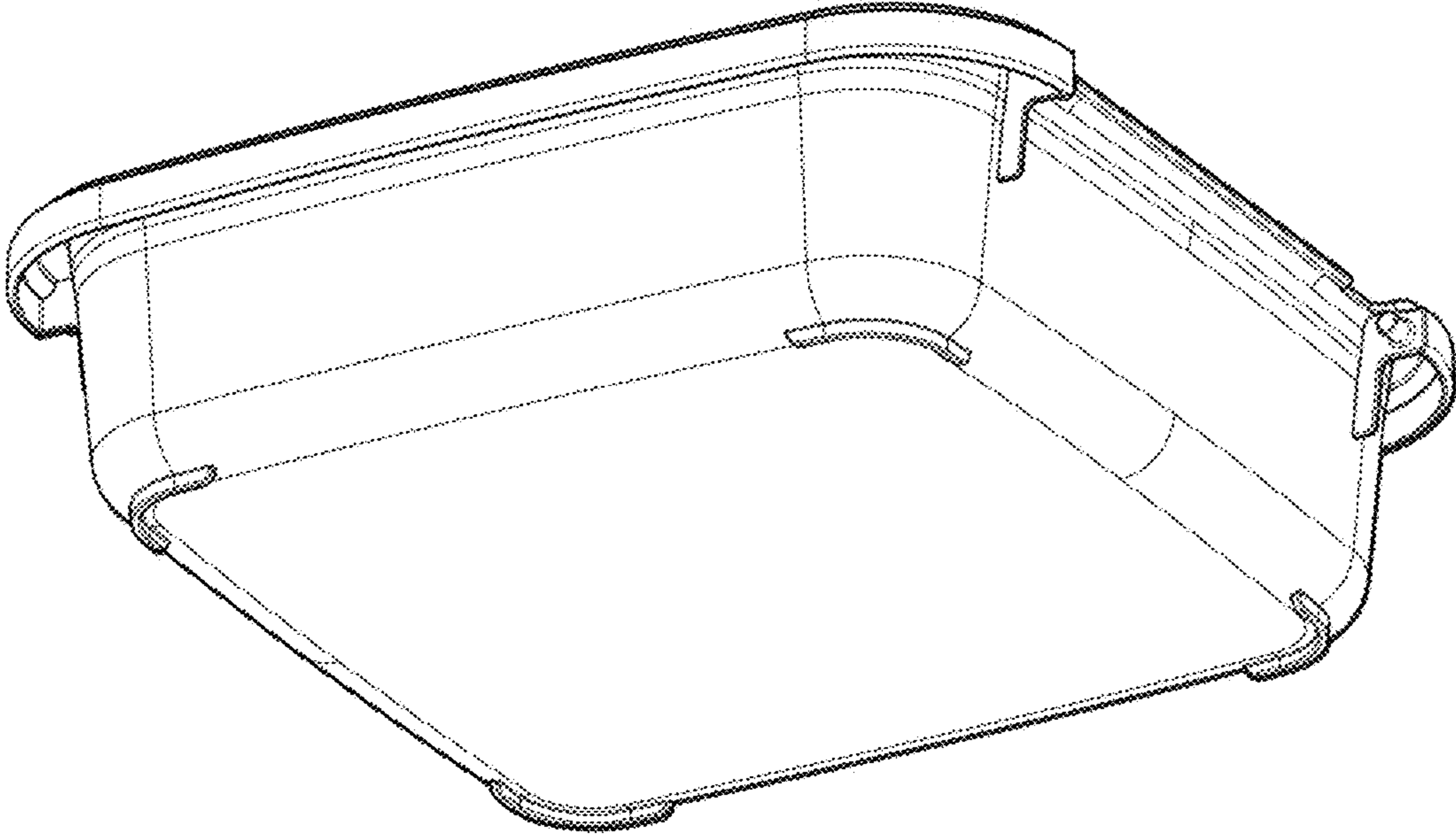


FIGURE 19

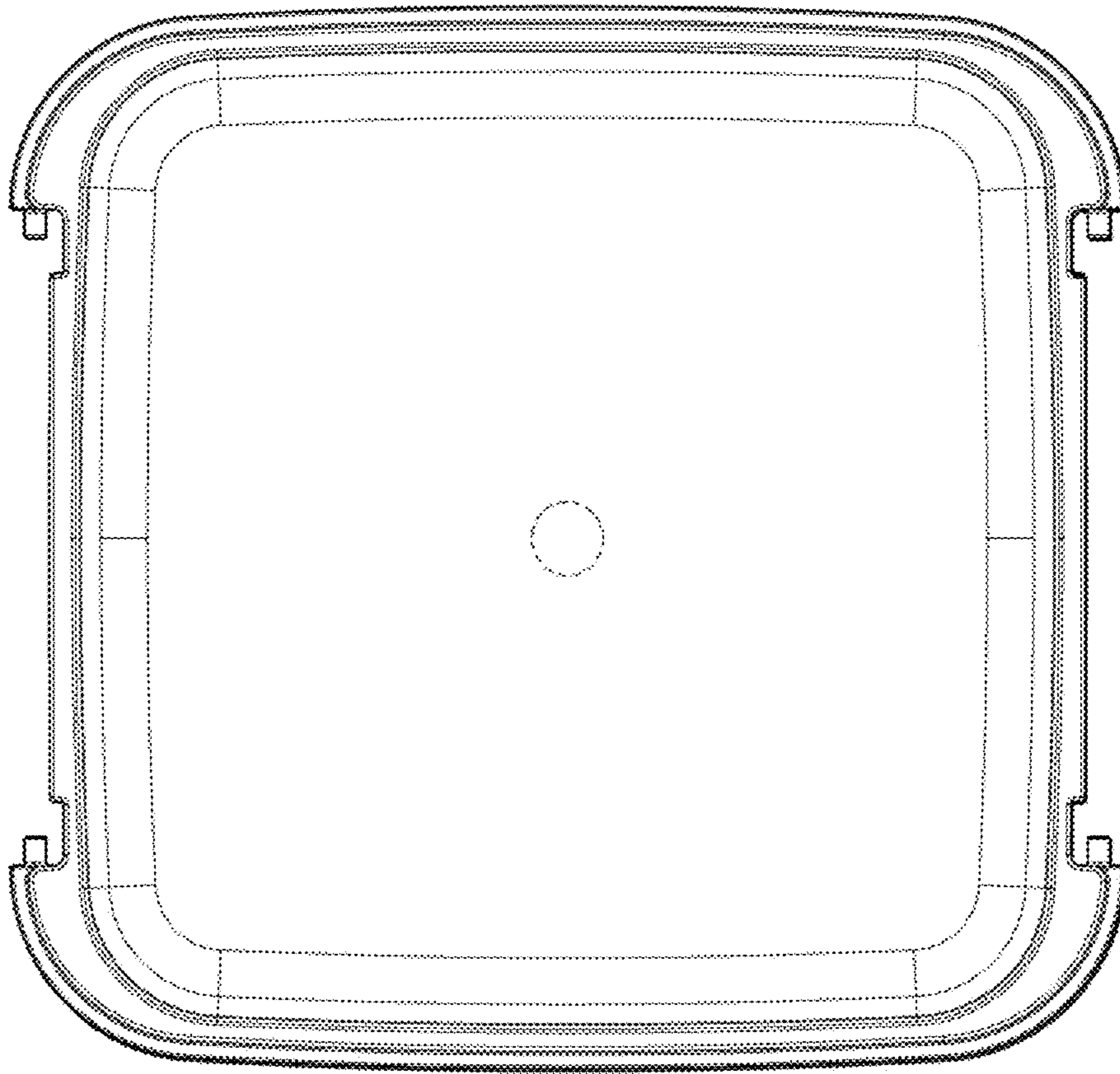


FIGURE 20

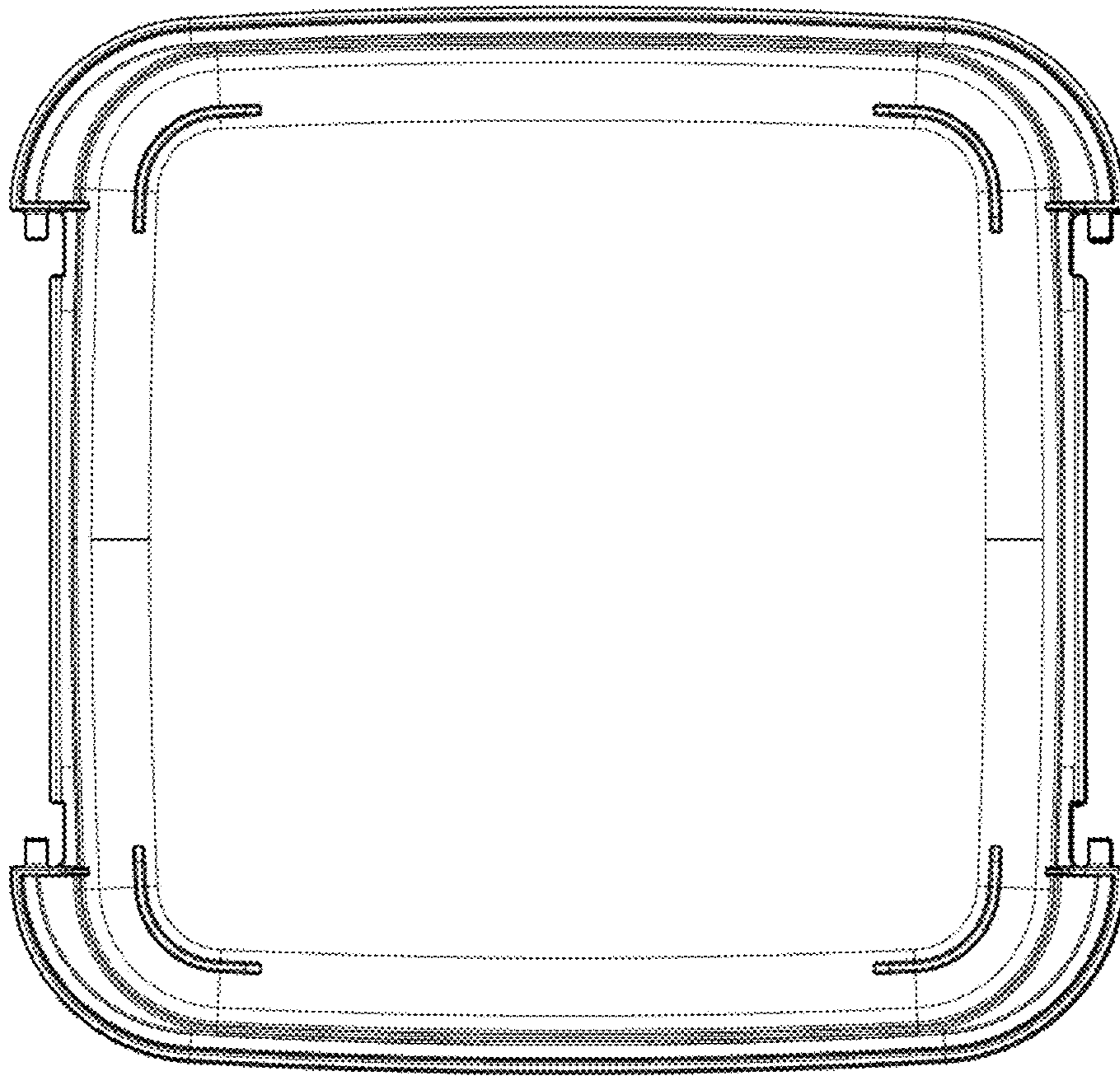


FIGURE 21

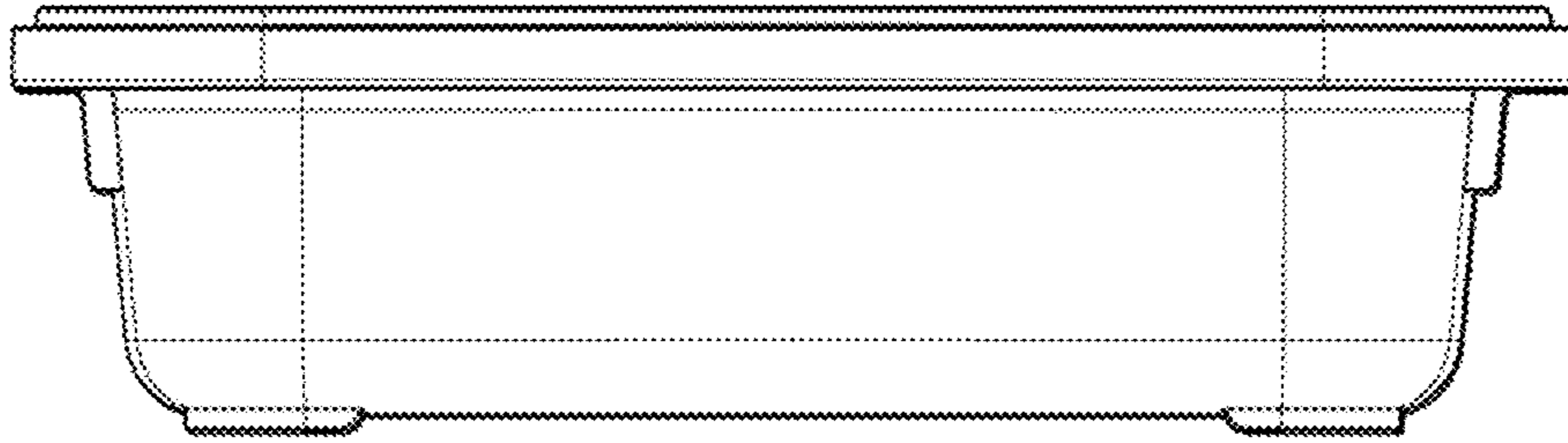


FIGURE 22

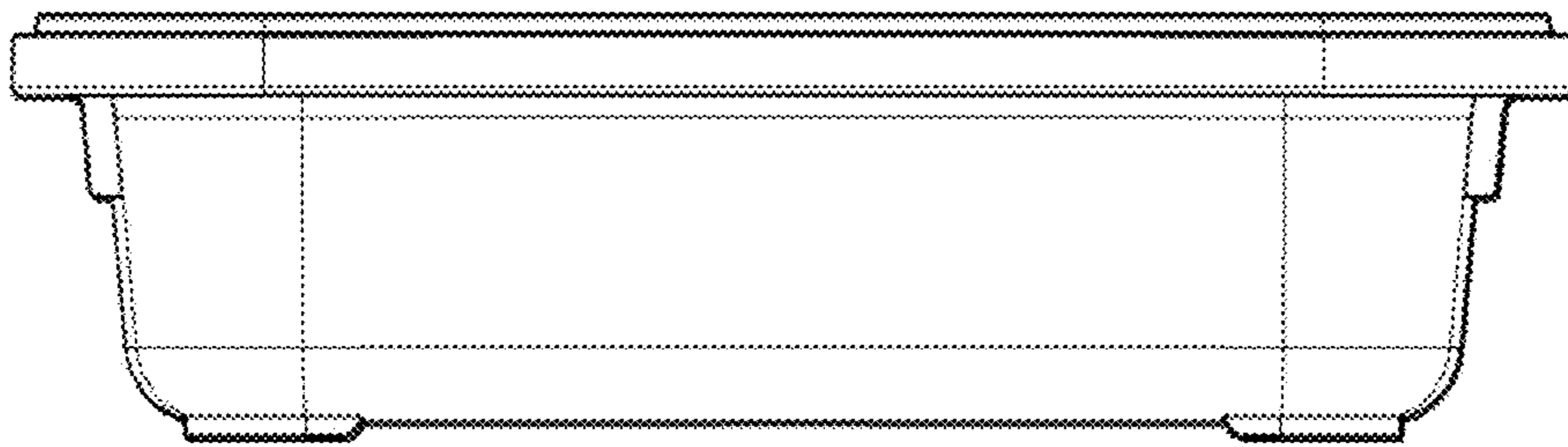


FIGURE 23

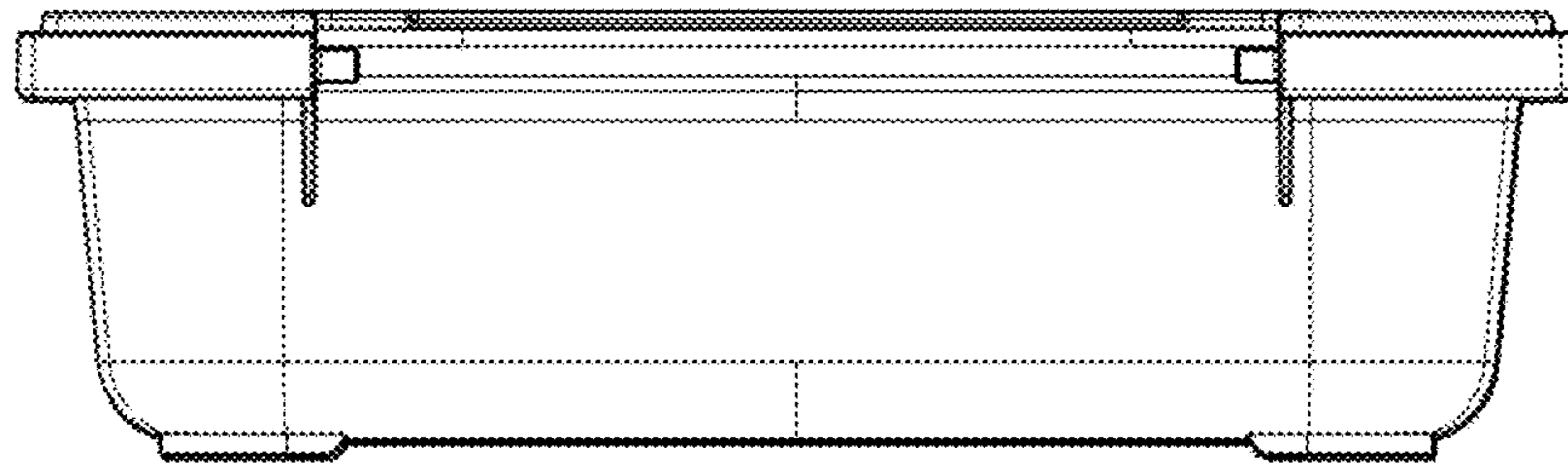
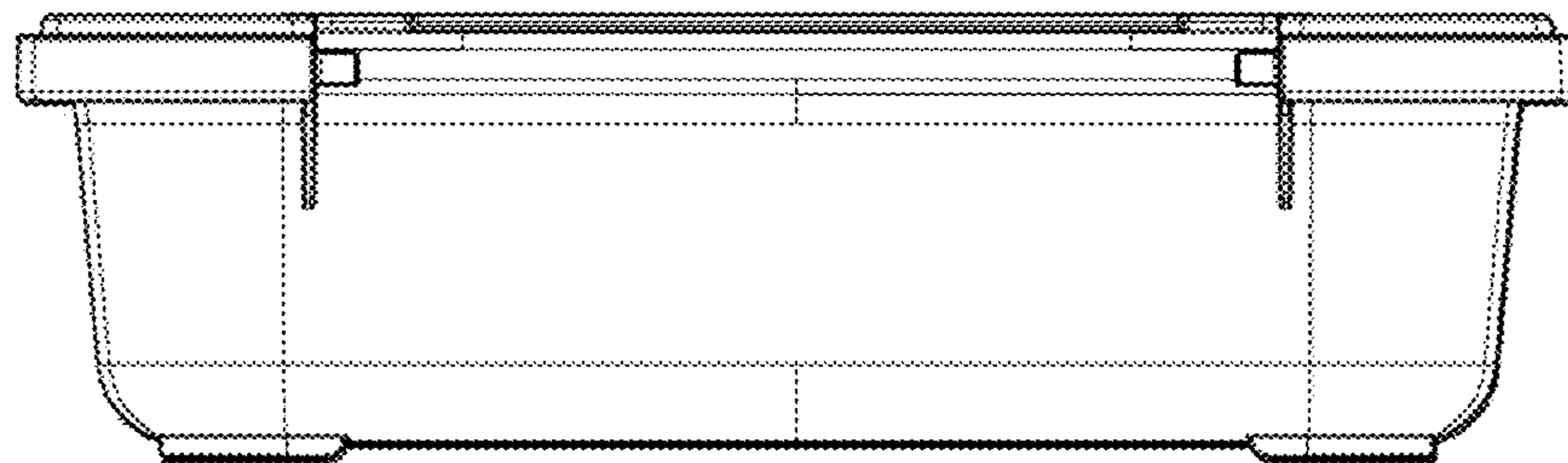


FIGURE 24



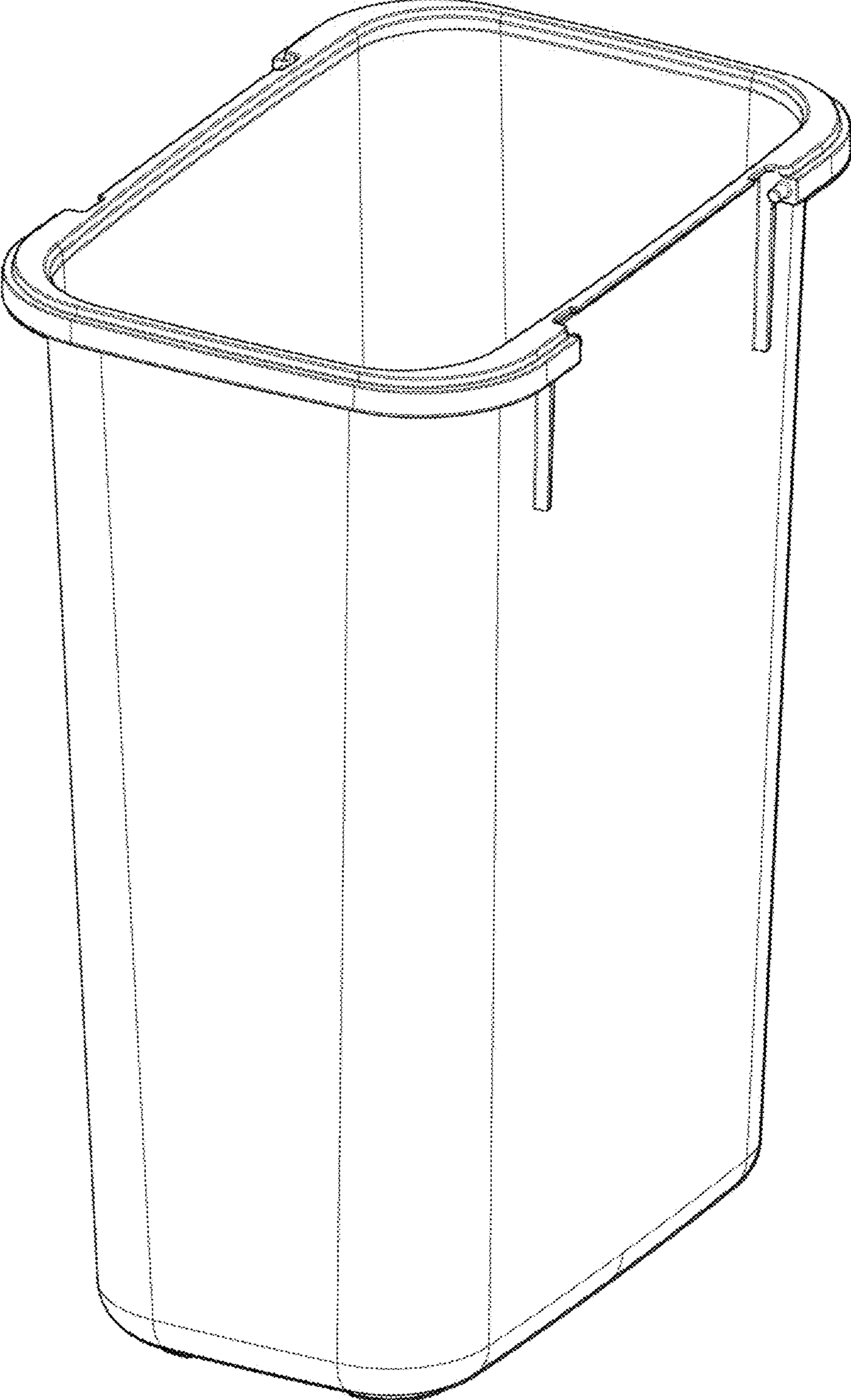


FIGURE 25

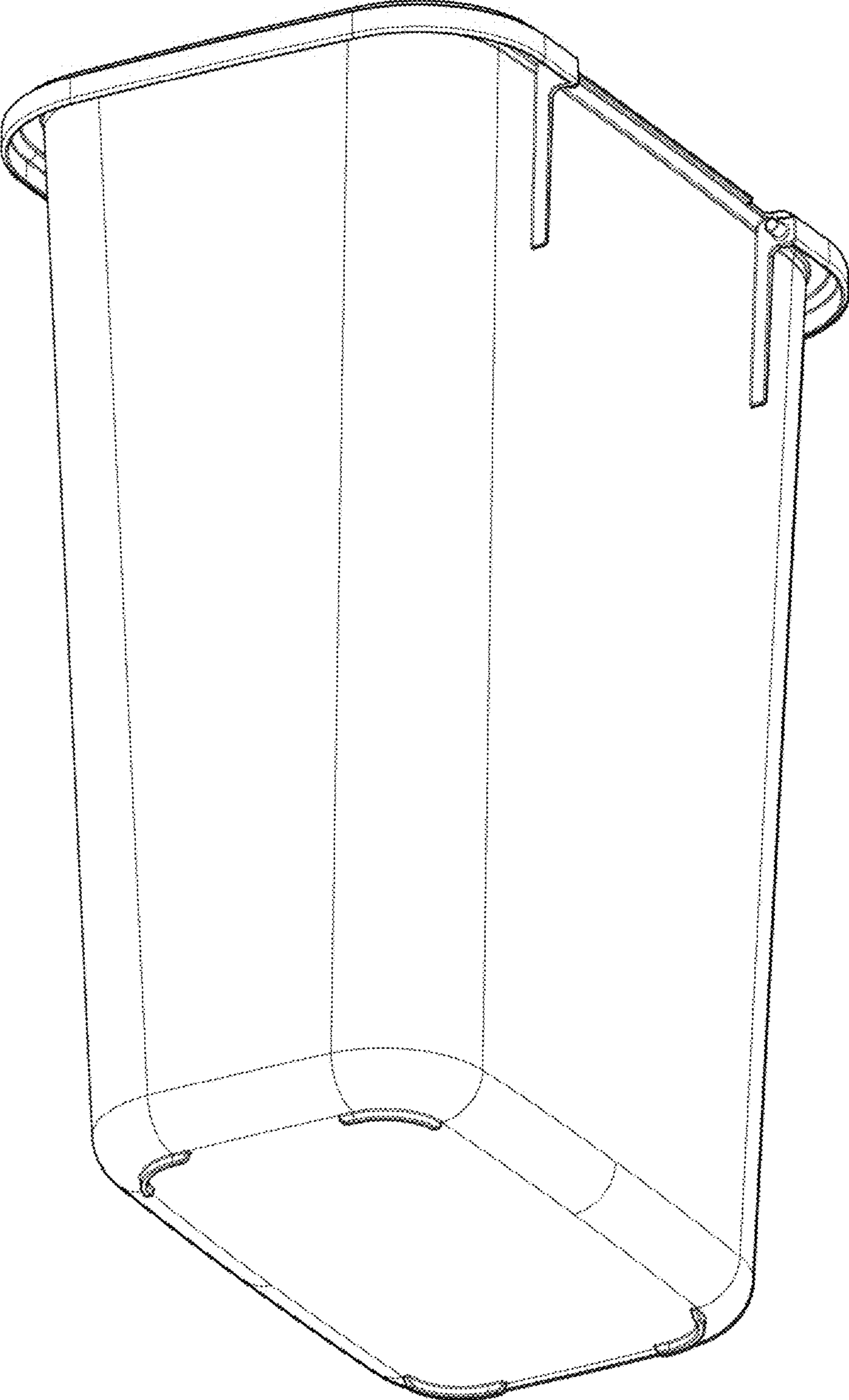


FIGURE 26

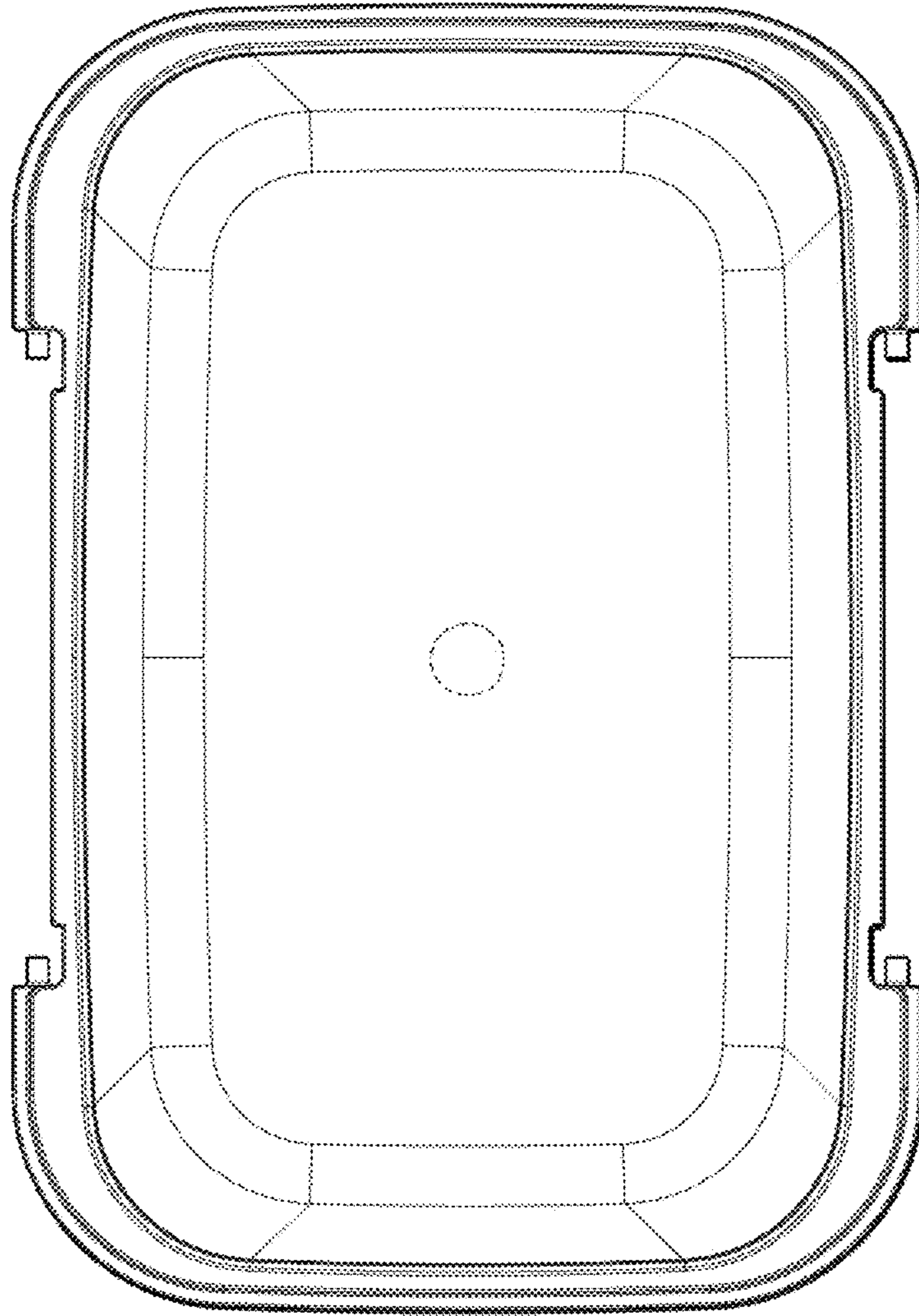


FIGURE 27

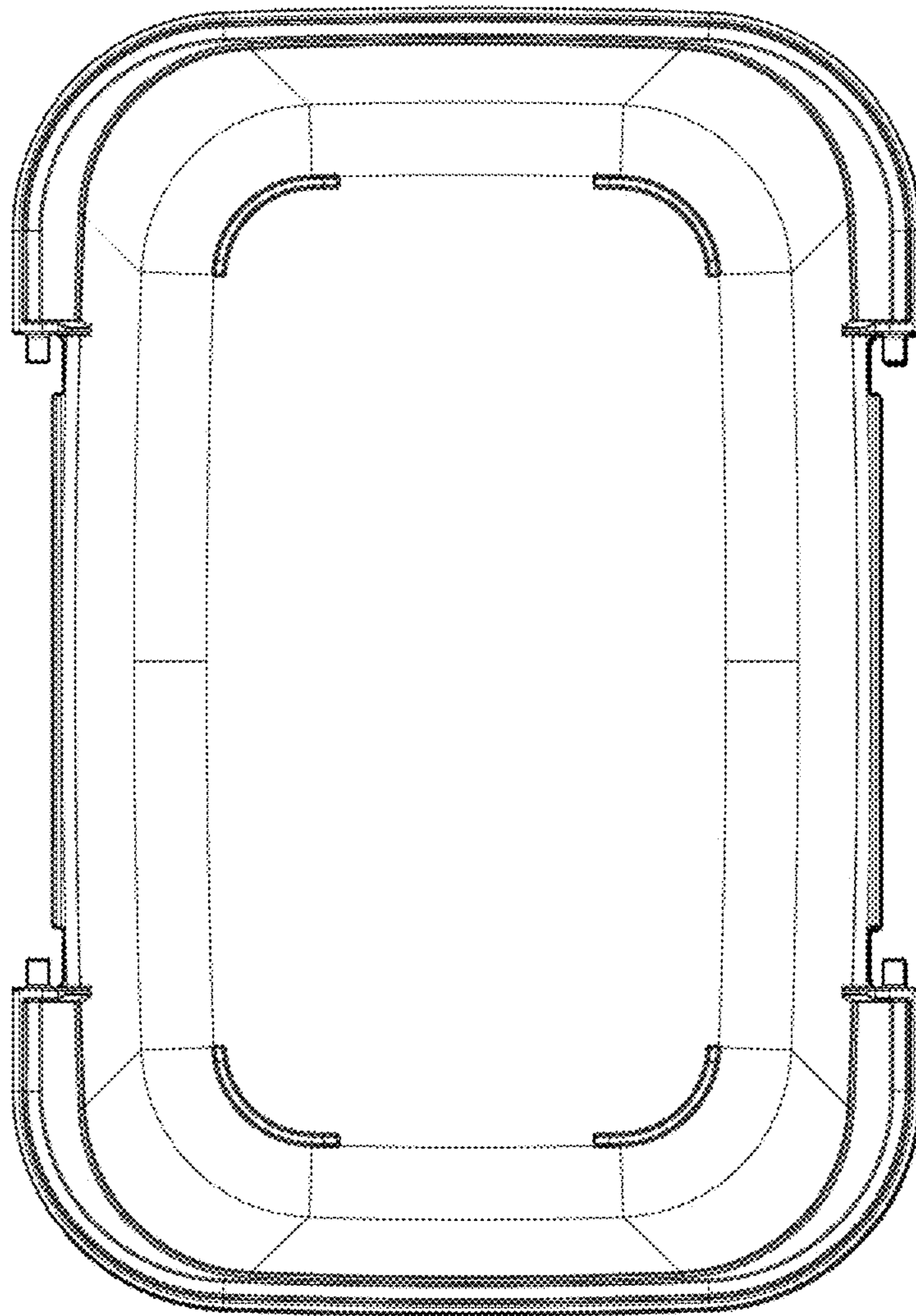


FIGURE 28

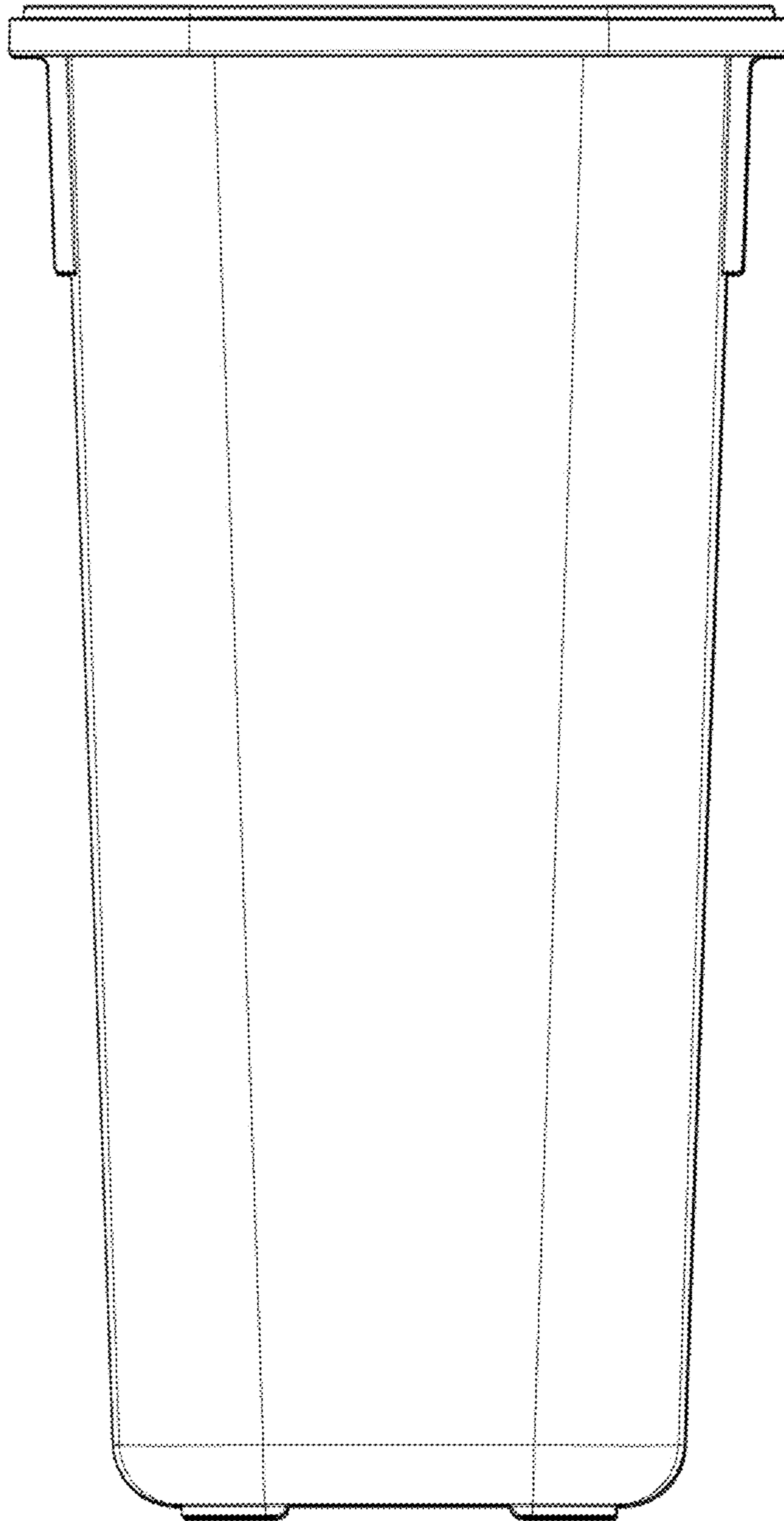


FIGURE 29

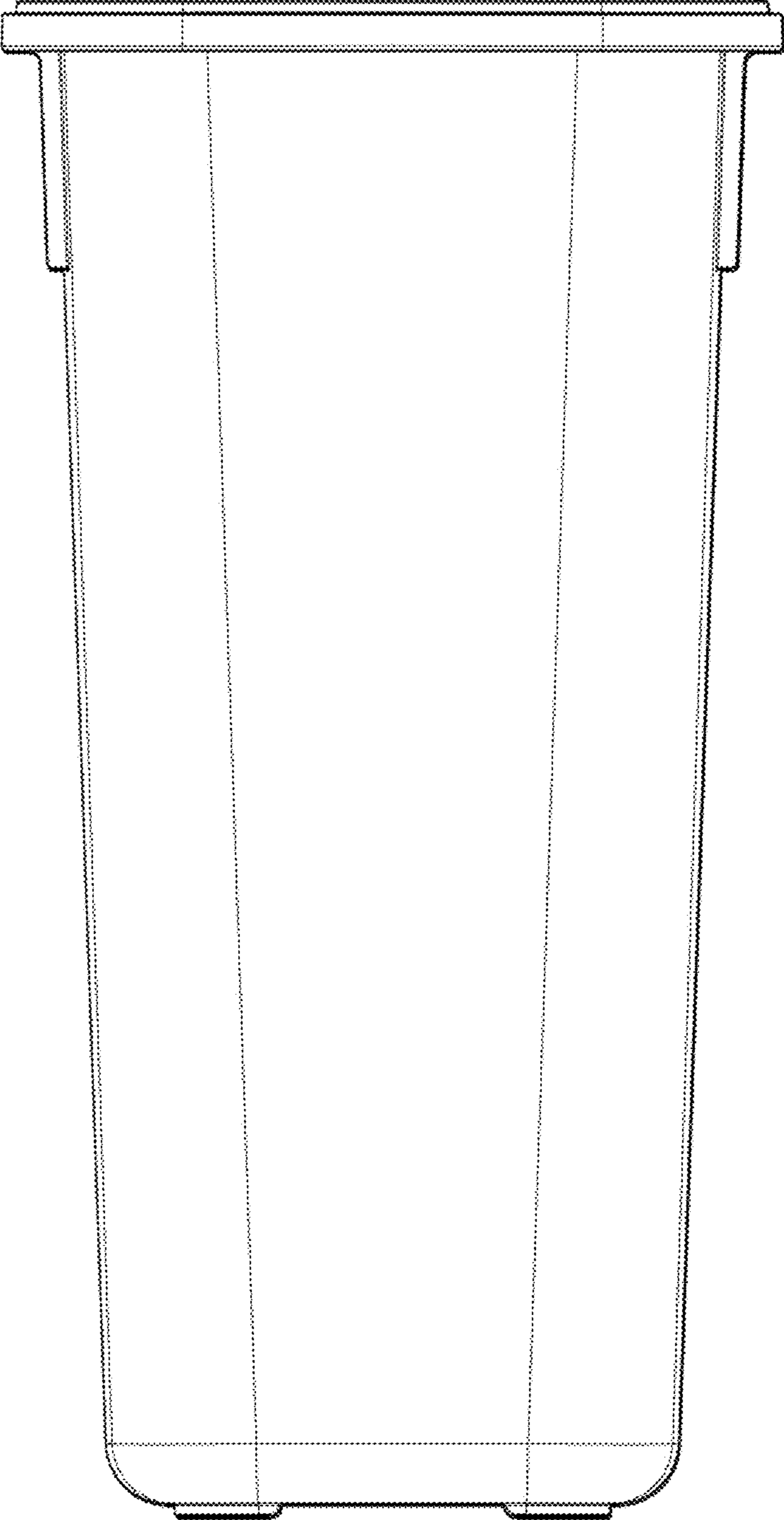


FIGURE 30

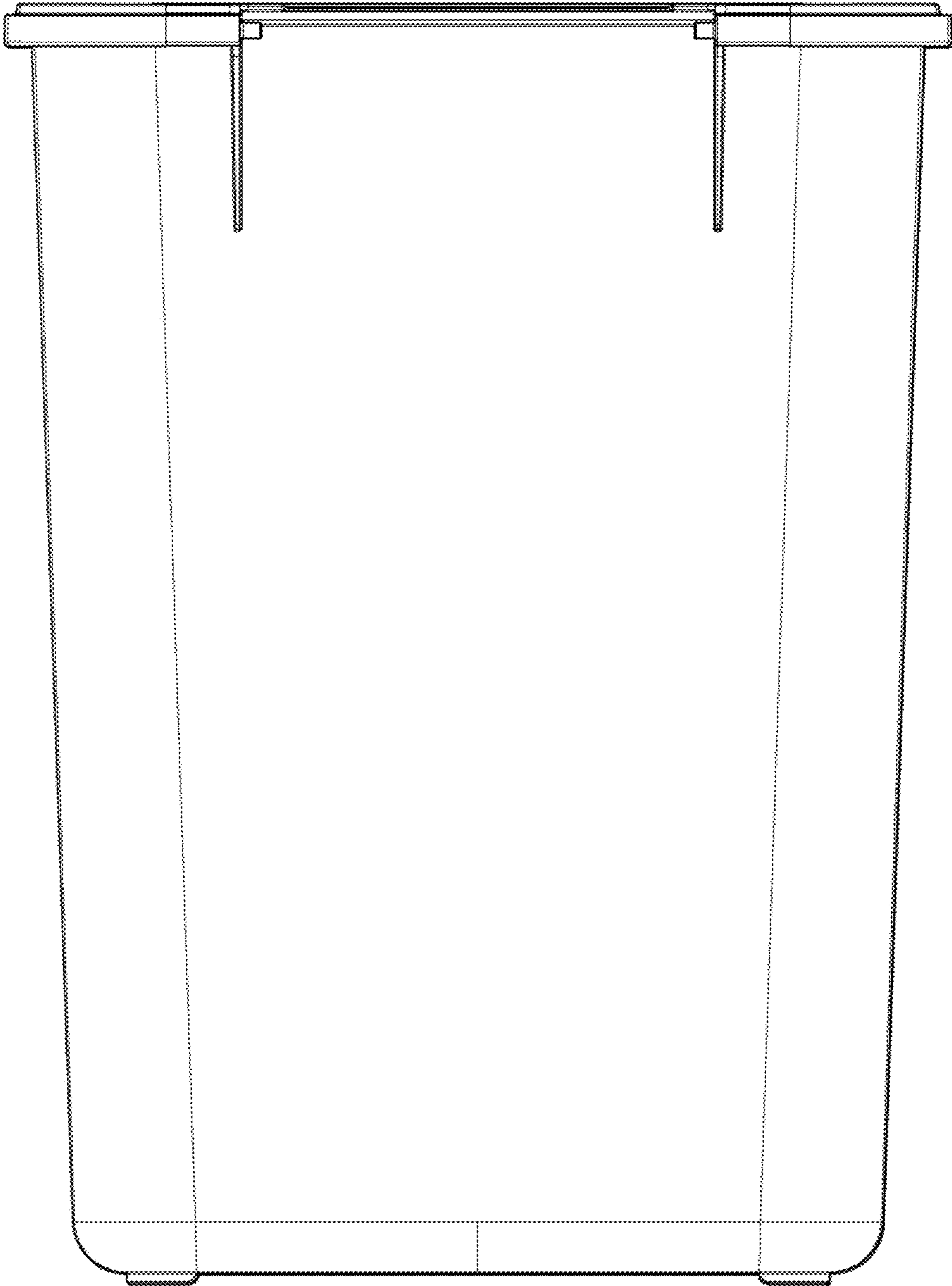


FIGURE 31

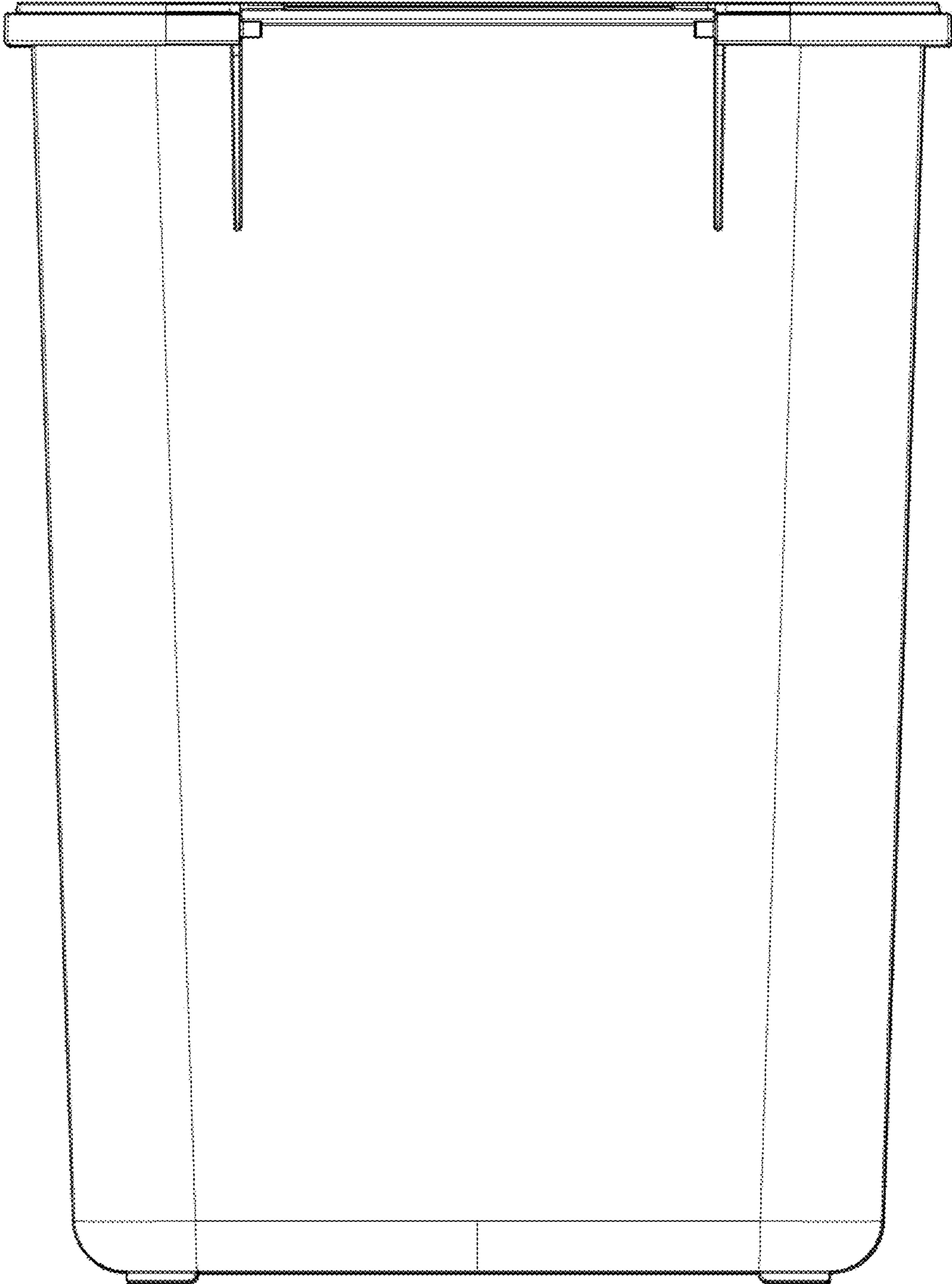


FIGURE 32