



US00D901254S

(12) **United States Design Patent** (10) **Patent No.:** **US D901,254 S**
Beavis (45) **Date of Patent:** **** Nov. 10, 2020**

(54) **CONTAINER AND LID THEREFOR**
(71) Applicant: **Foodcap International Limited,**
Auckland (NZ)
(72) Inventor: **Julian Beavis,** Auckland (NZ)
(73) Assignee: **Foodcap International Limited,**
Auckland (NZ)
(**) Term: **15 Years**

Primary Examiner — April Rivas
(74) *Attorney, Agent, or Firm* — Lowe Graham Jones
PLLC

(21) Appl. No.: **29/687,596**
(22) Filed: **Apr. 14, 2019**
(51) **LOC (12) Cl.** **07-01**
(52) **U.S. Cl.**
USPC **D7/605; D3/302**
(58) **Field of Classification Search**
USPC D3/272, 273, 276, 279, 282, 294, 298,
D3/905, 262, 302; D7/602, 605, 629
CPC . B25H 3/02; B65D 1/24; B65D 25/06; B65D
25/20; A47J 41/0044; F25D 3/08
See application file for complete search history.

(57) **CLAIM**

I claim the ornamental design for a container and lid therefor, as shown and described.

DESCRIPTION

FIG. 1 is an isometric top view of the assembled lid and container.
FIG. 2 is a left hand end view thereof.
FIG. 3 is a right hand end view thereof.
FIG. 4 is a front view thereof.
FIG. 5 is a rear view thereof.
FIG. 6 is a plan view thereof.
FIG. 7 is a bottom view thereof.
FIG. 8 is an isometric top exploded view thereof.
FIG. 9 is an isometric bottom exploded view thereof.
FIG. 10 is a left hand end view of the lid for use with the container.
FIG. 11 is a right hand end view thereof.
FIG. 12 is a front view thereof.
FIG. 13 is a rear view thereof.
FIG. 14 is a plan view thereof.
FIG. 15 is a bottom view thereof.
FIG. 16 is an isometric top view thereof.
FIG. 17 is a left hand end view of the container for use with the lid.
FIG. 18 is a right hand end view thereof.
FIG. 19 is a front view thereof.
FIG. 20 is a rear view thereof.
FIG. 21 is a plan view thereof.
FIG. 22 is a bottom view thereof; and,
FIG. 23 is a top isometric view thereof.
The container's body and the lid are shown alone for convenience of illustration only.

(56) **References Cited**

U.S. PATENT DOCUMENTS

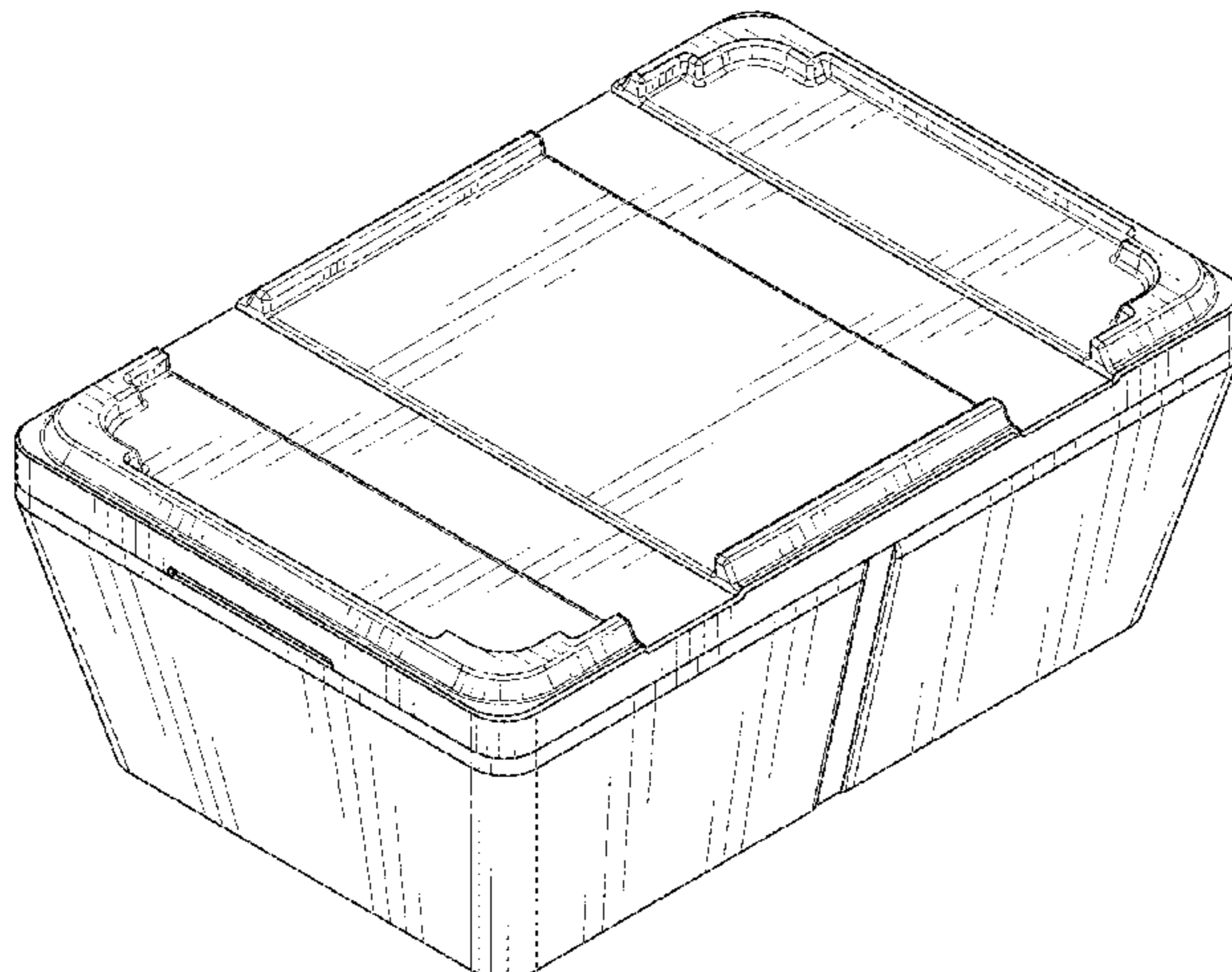
| | | | | |
|--------------|---------|----------|-------|--------|
| D248,621 S * | 7/1978 | Hay | | D3/302 |
| D587,072 S * | 2/2009 | Friedman | | D7/605 |
| D605,899 S * | 12/2009 | Meether | | D7/605 |
| D645,248 S * | 9/2011 | Osiecki | | D3/276 |
| D771,380 S * | 11/2016 | Minneman | | D3/262 |
| D773,254 S * | 12/2016 | Jarvis | | D7/605 |
| D842,656 S * | 3/2019 | Exley | | D7/605 |
| D848,146 S * | 5/2019 | Kincade | | D3/272 |
| D873,087 S * | 1/2020 | Touchton | | D7/605 |

OTHER PUBLICATIONS

Liviri, "Liviri Shuttle", First cached Apr. 29, 2020. (<https://liviri.com/liviri-shuttle-insulated-totes/>) (Year: 2020).*
FoodCap, "FoodCap Reusable", Accessed Jul. 30, 2020. (<https://foodcap.com/food-storage>) (Year: 2020).*

* cited by examiner

1 Claim, 17 Drawing Sheets



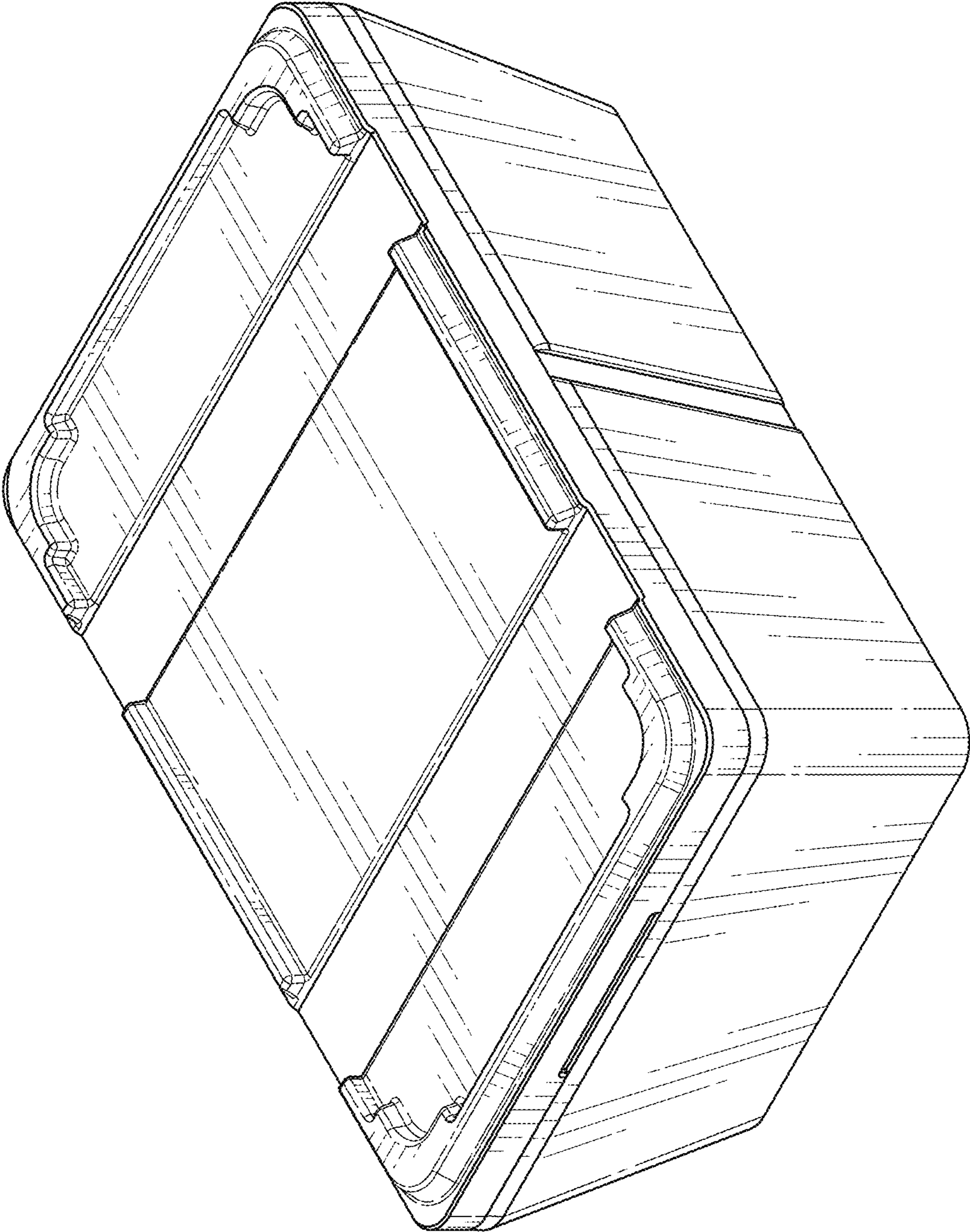


FIG. 1

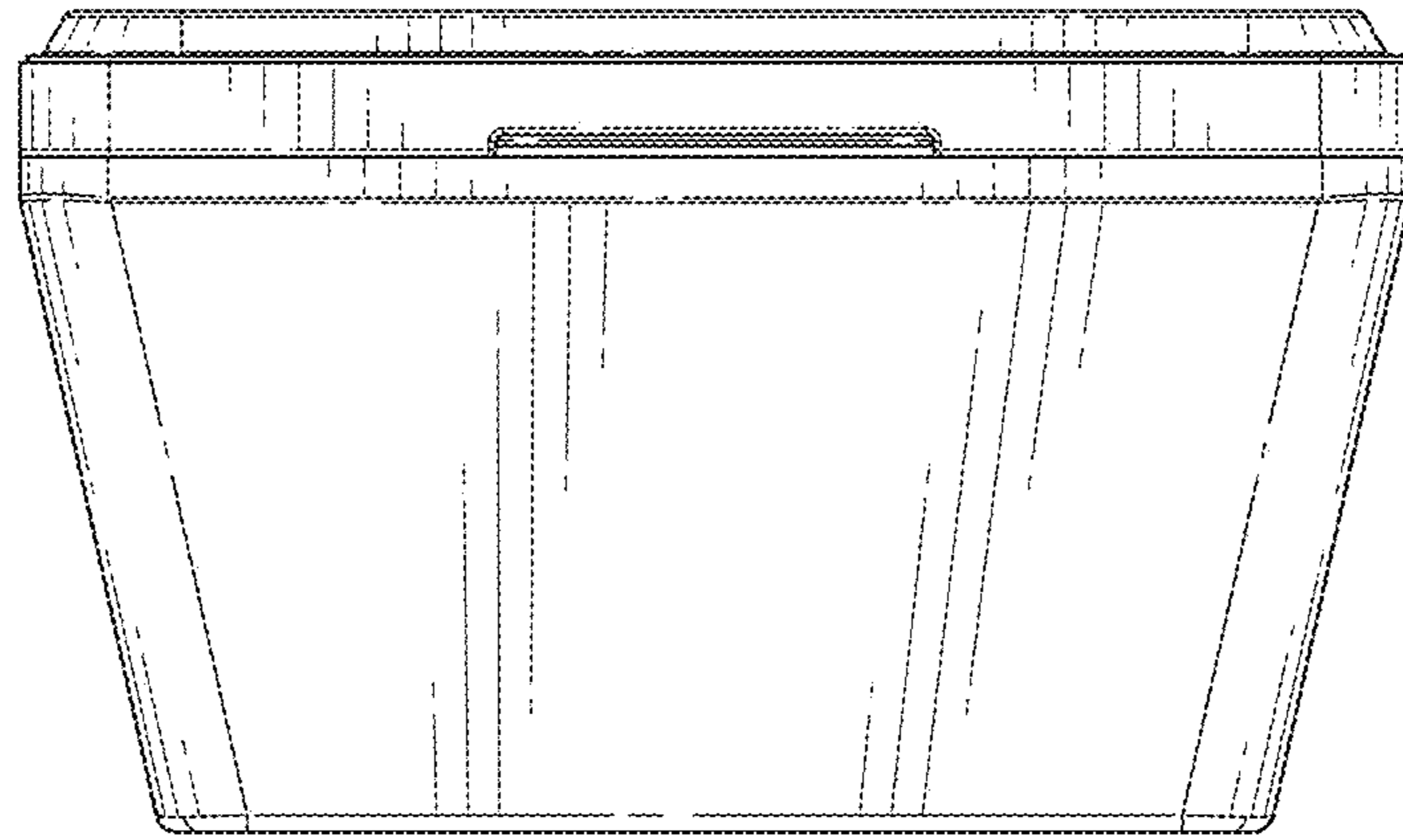


FIG. 2

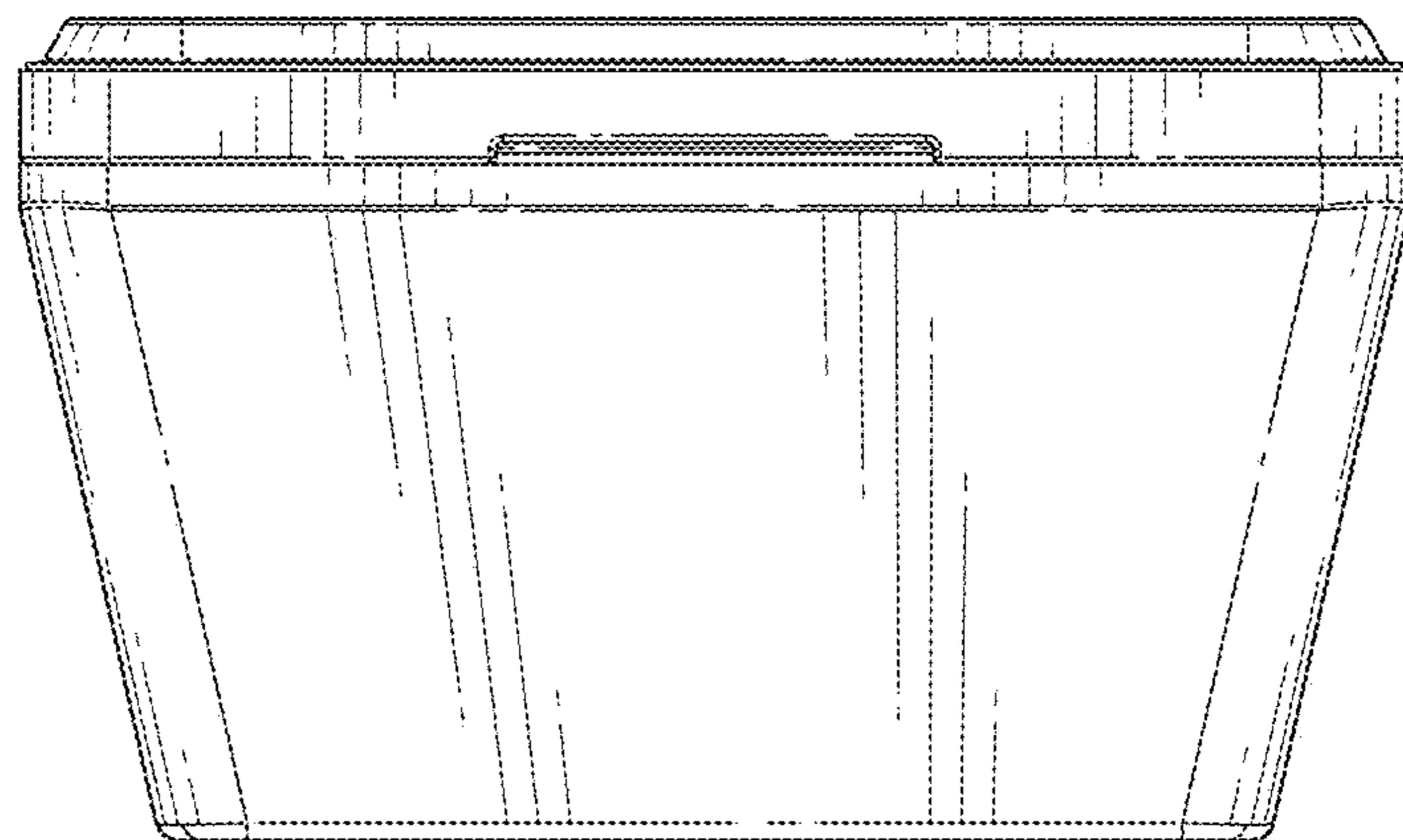


FIG. 3

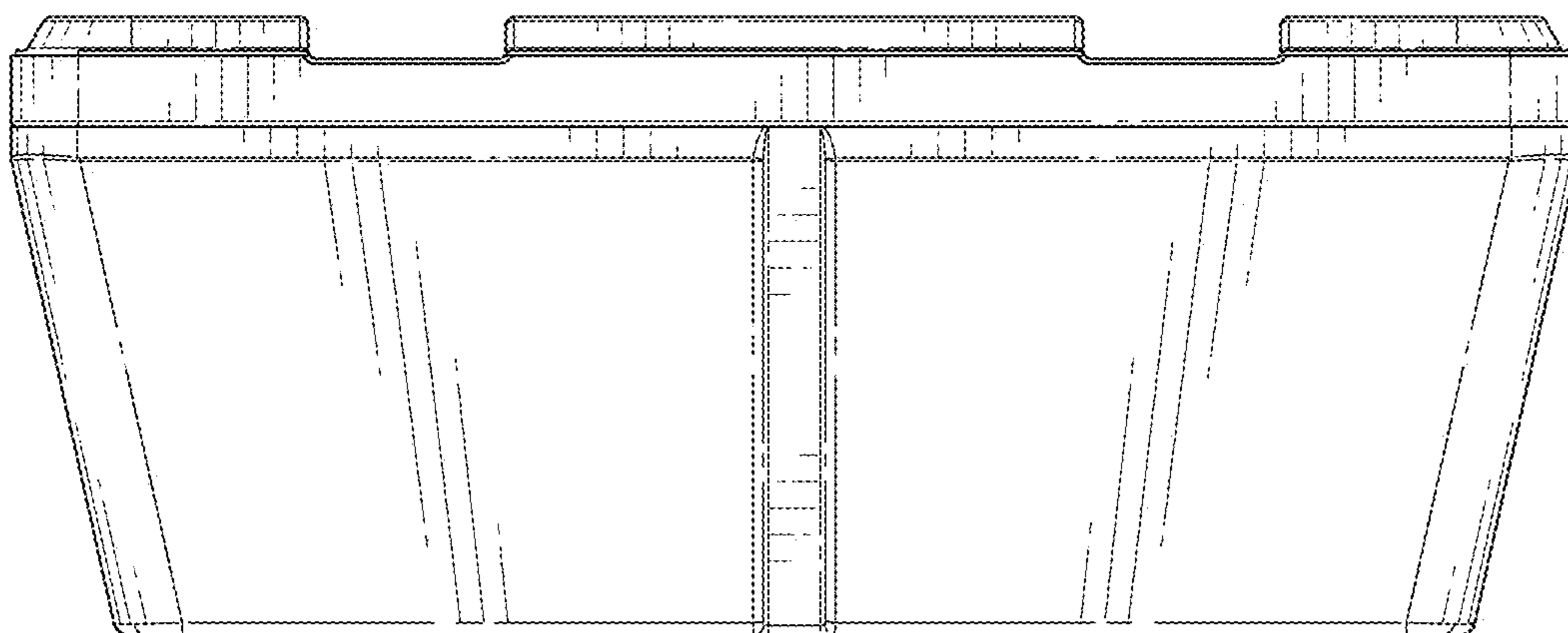


FIG. 4

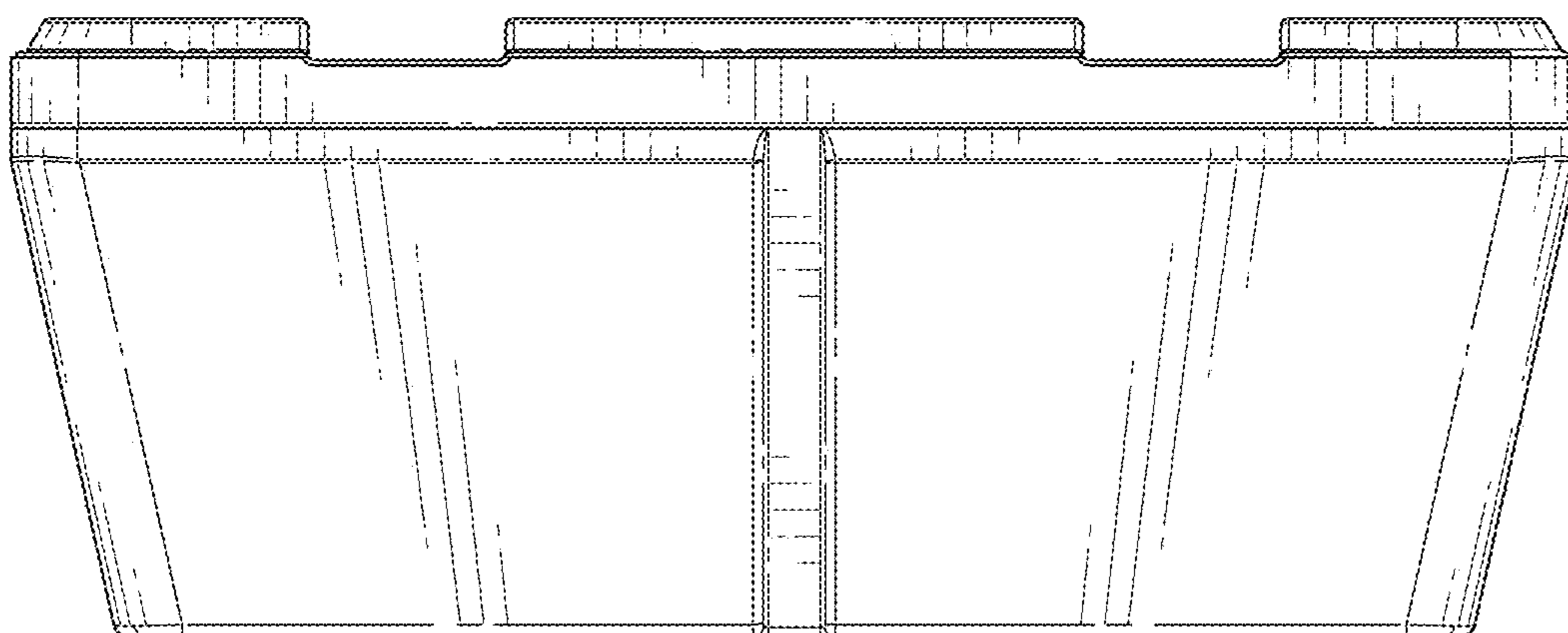


FIG. 5

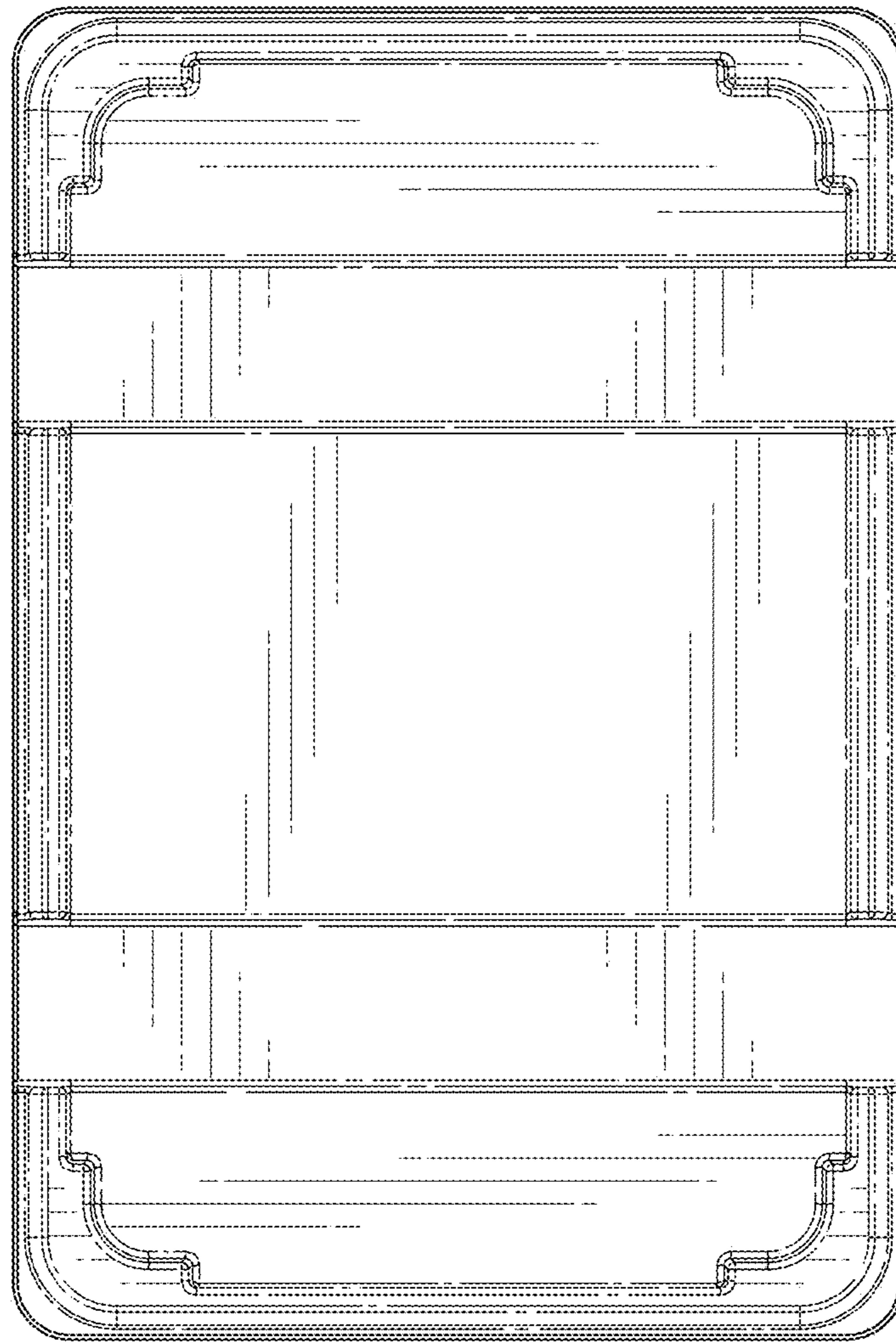


FIG. 6

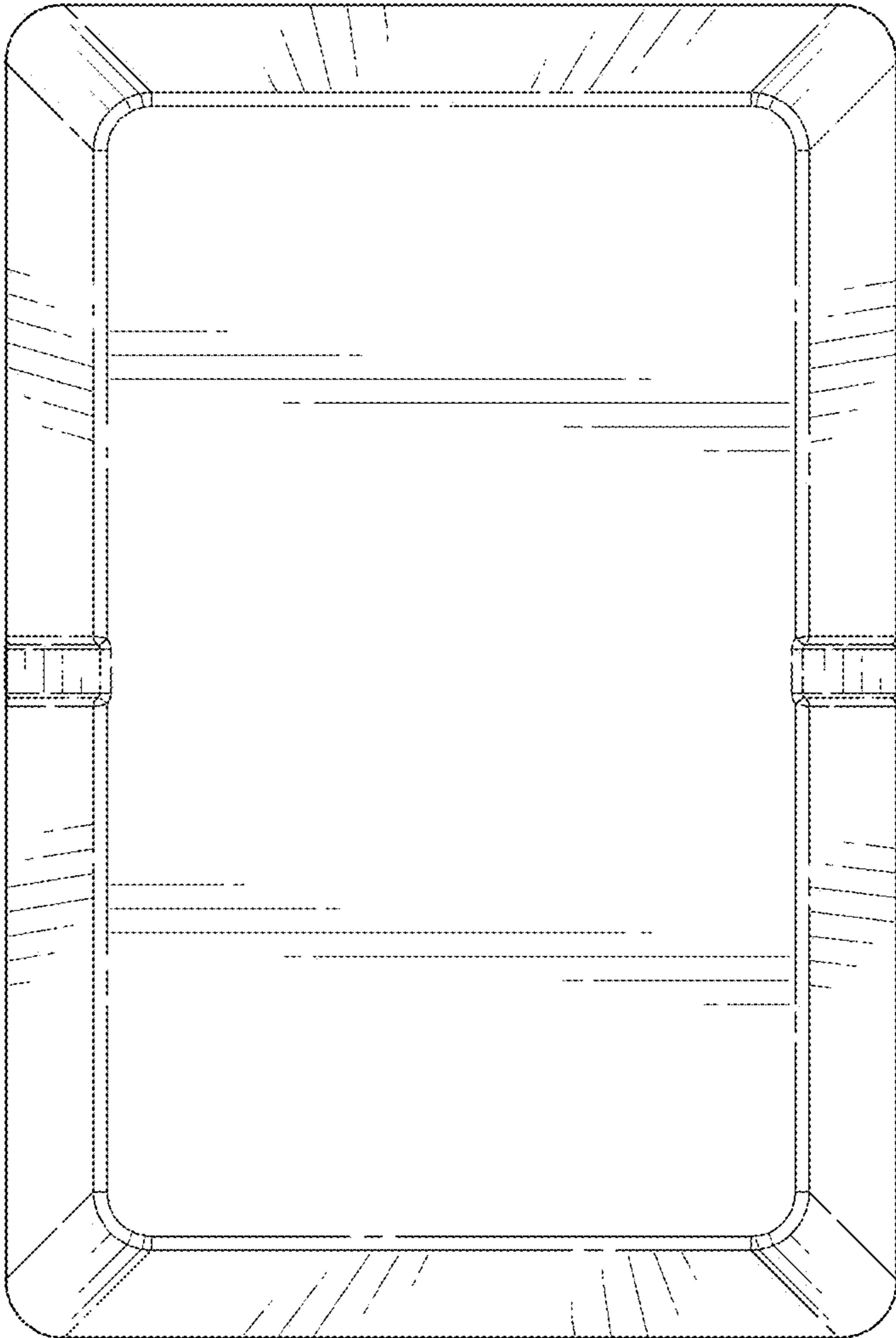


FIG. 7

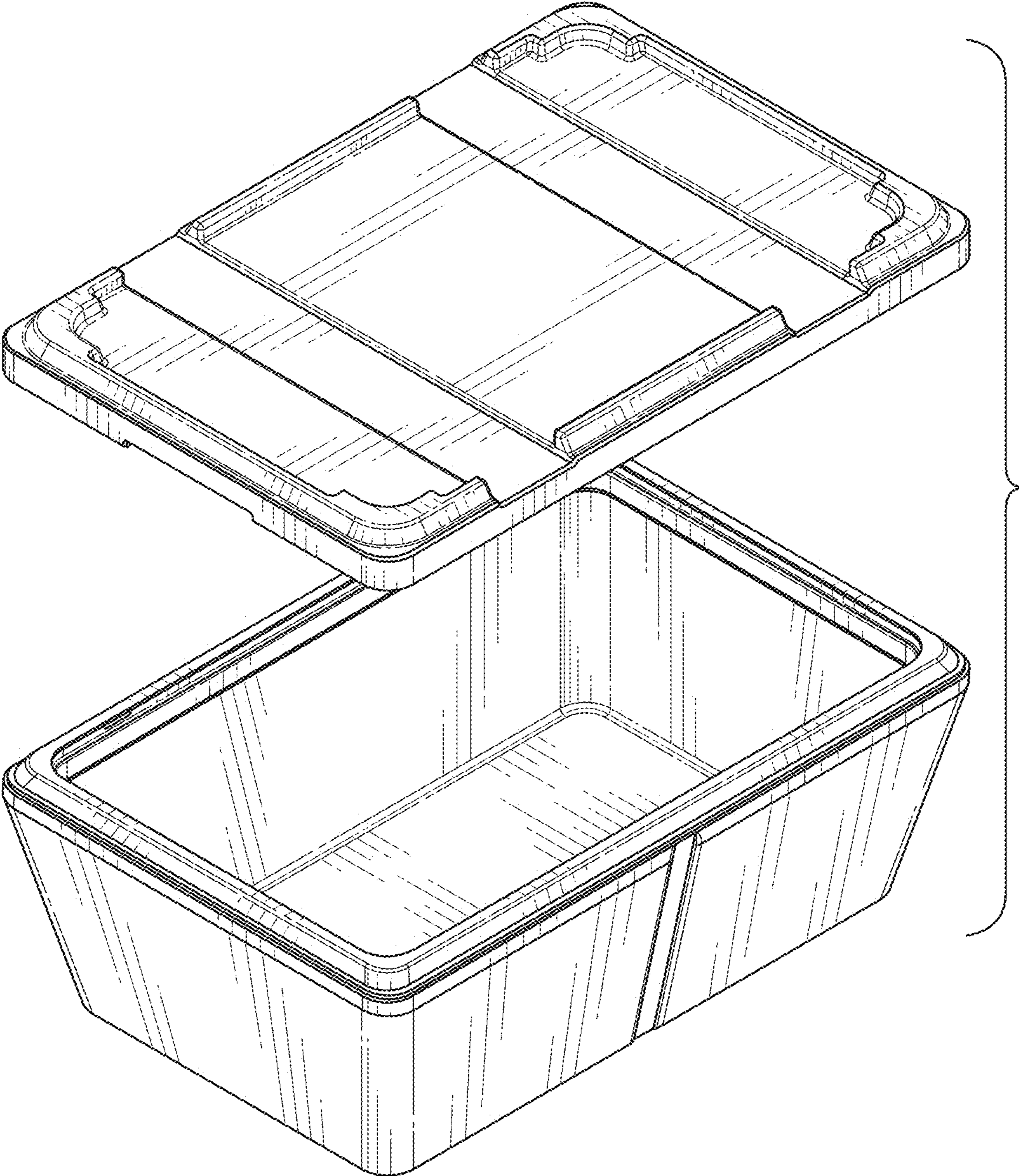


FIG. 8

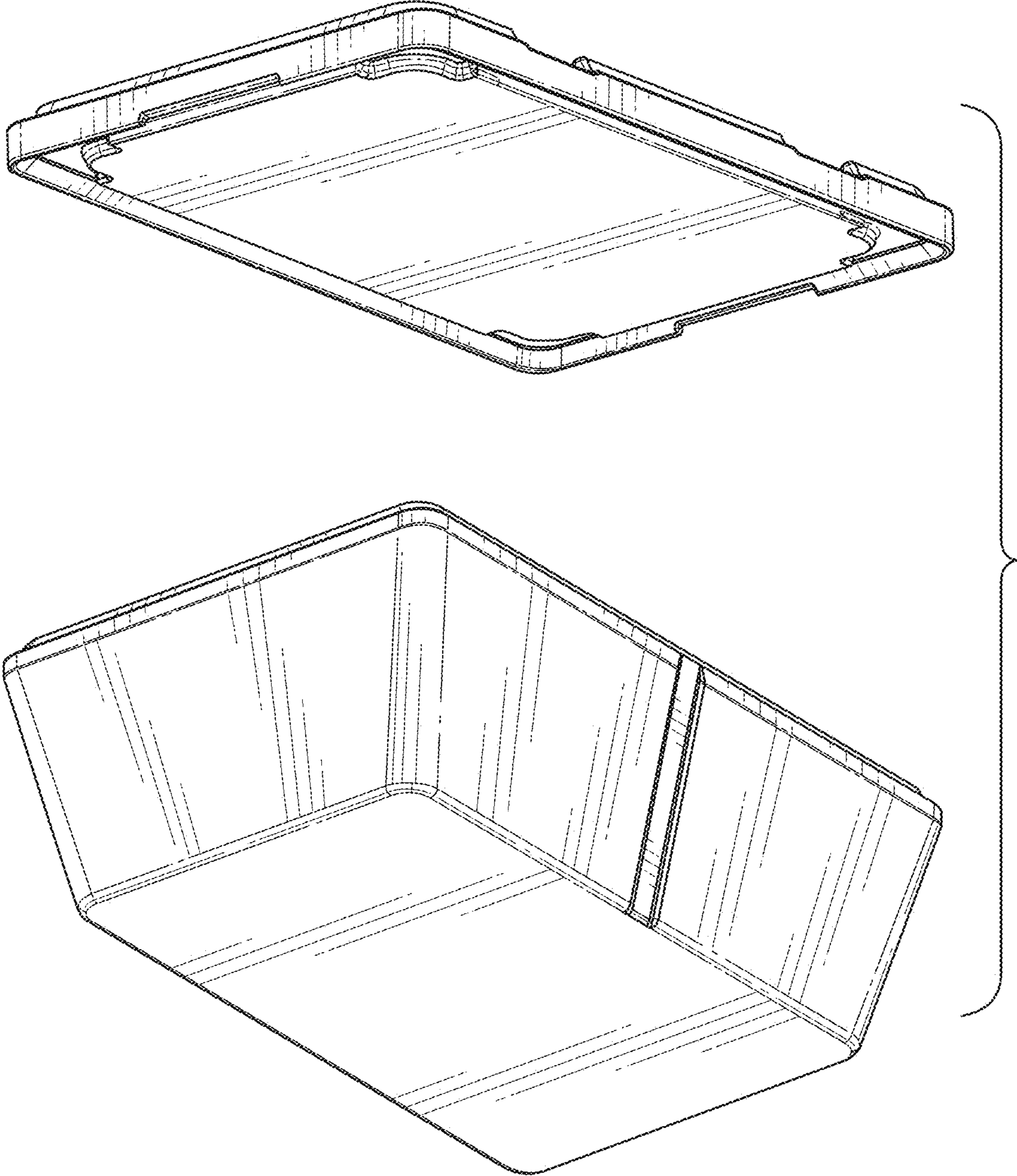


FIG. 9

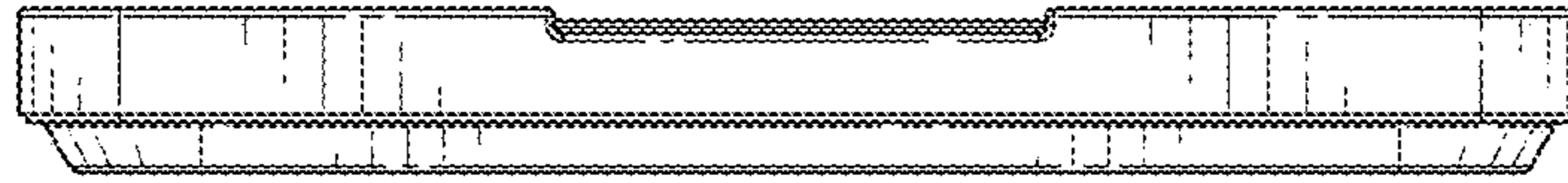


FIG. 10

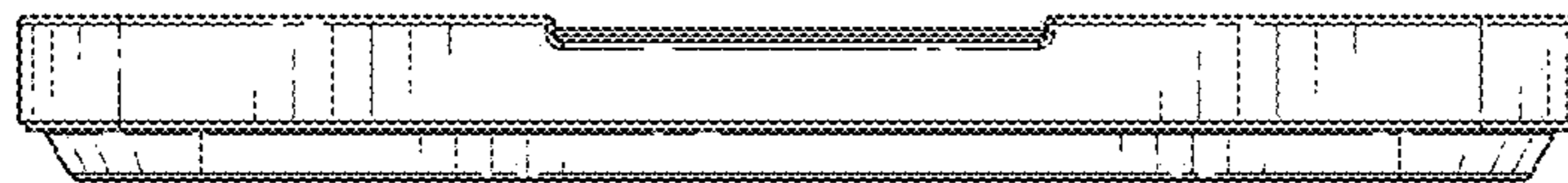


FIG. 11

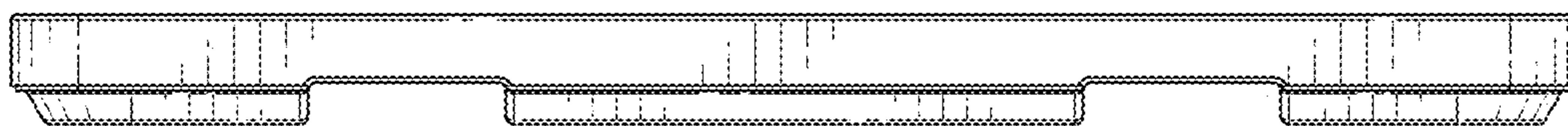


FIG. 12

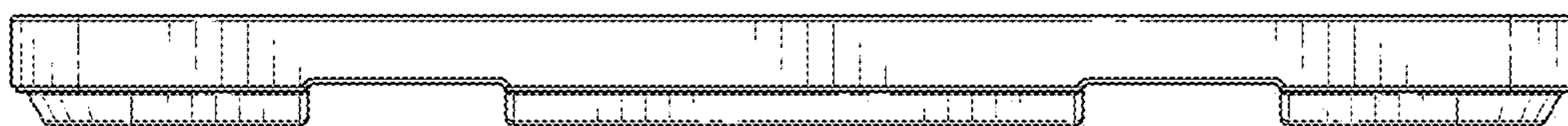


FIG. 13

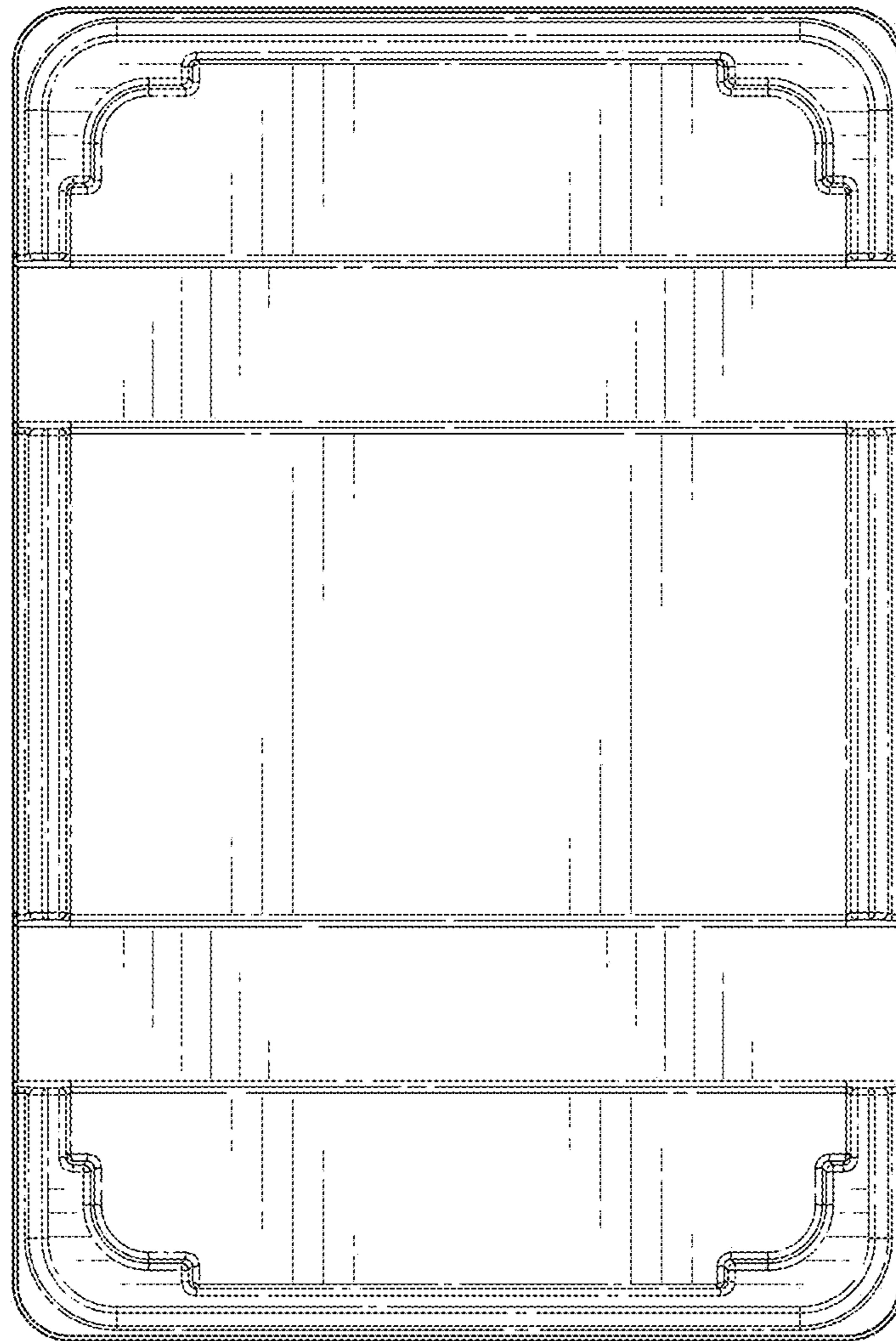


FIG. 14

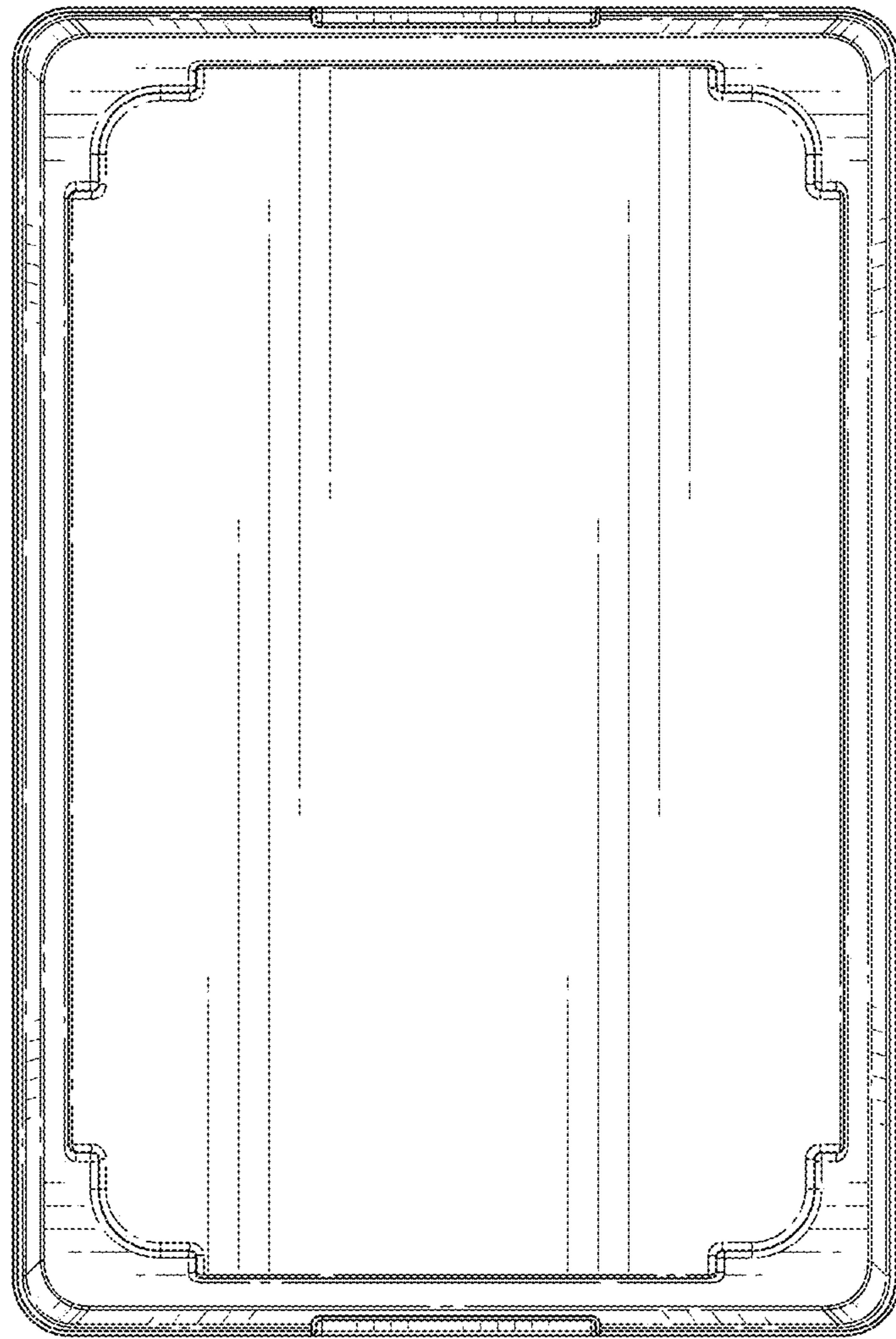


FIG. 15

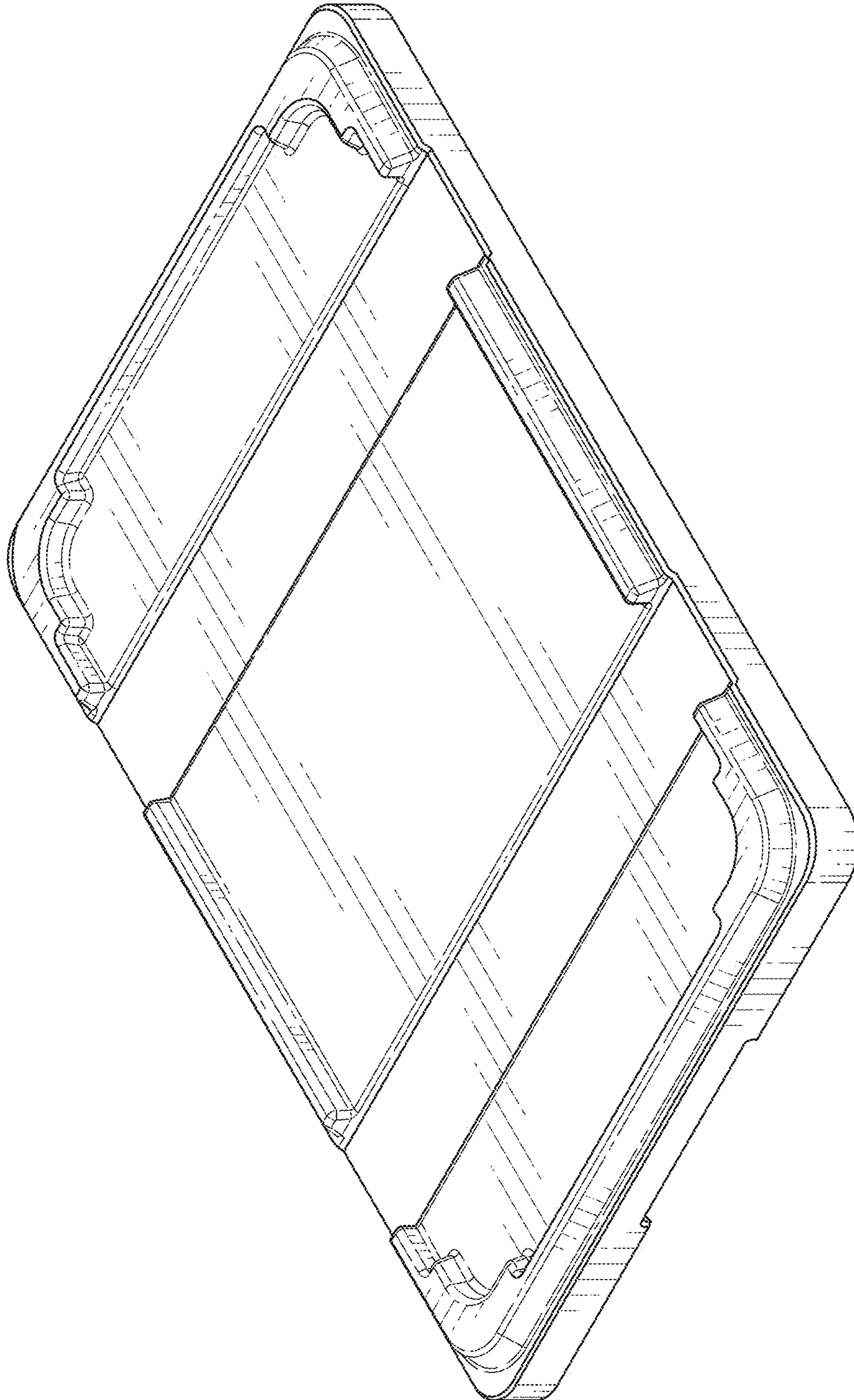


FIG. 16

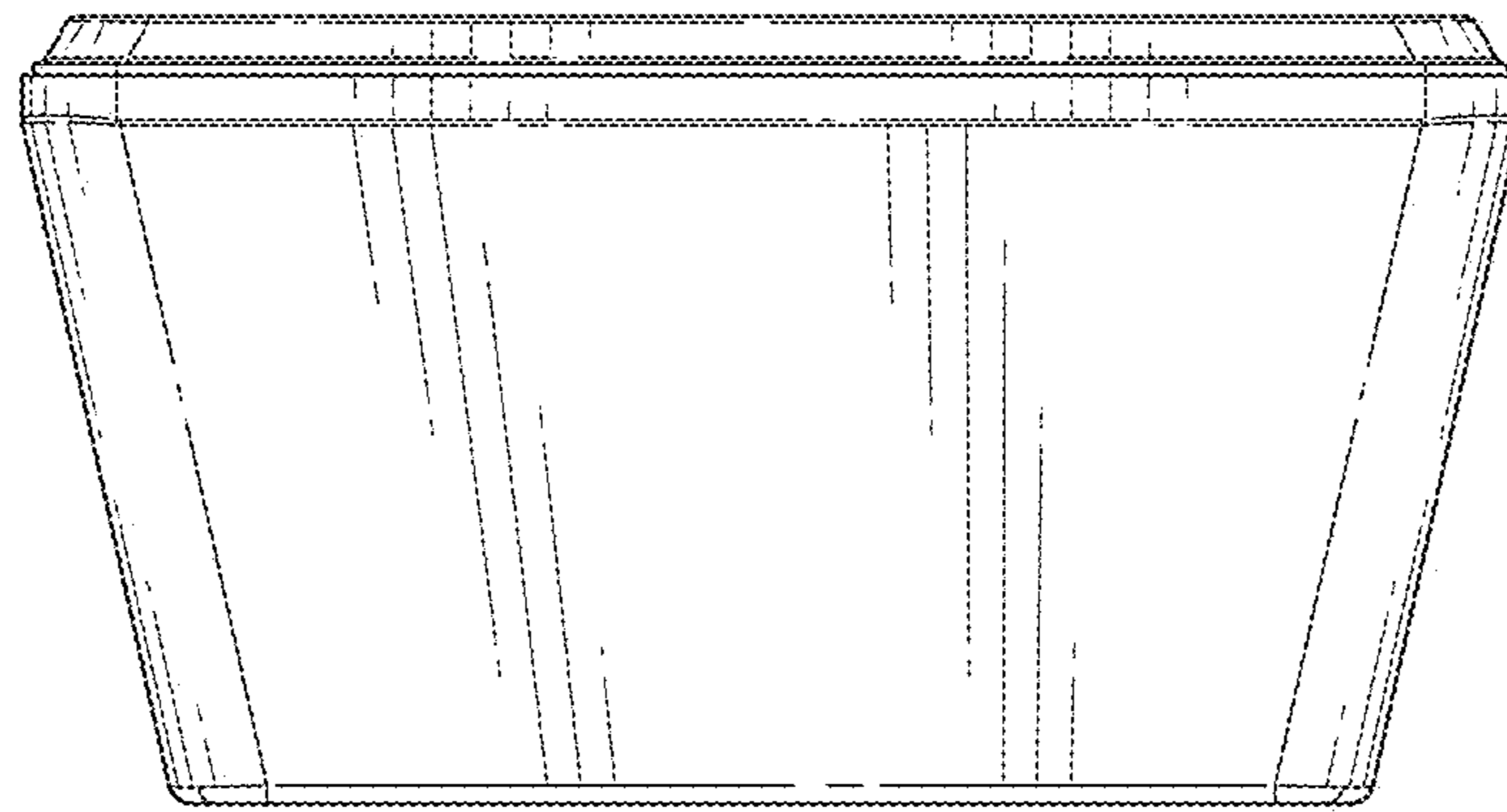


FIG. 17

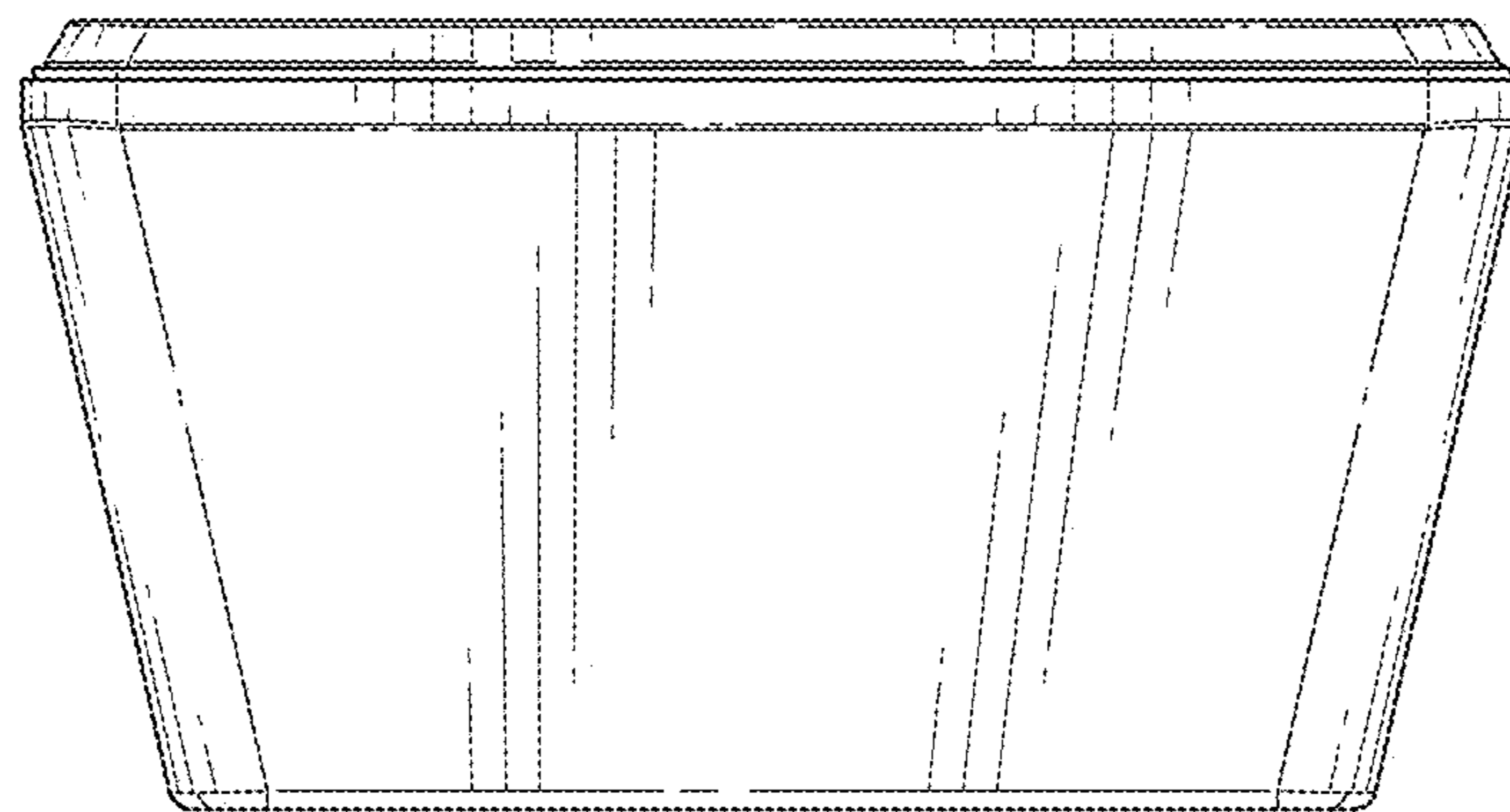


FIG. 18

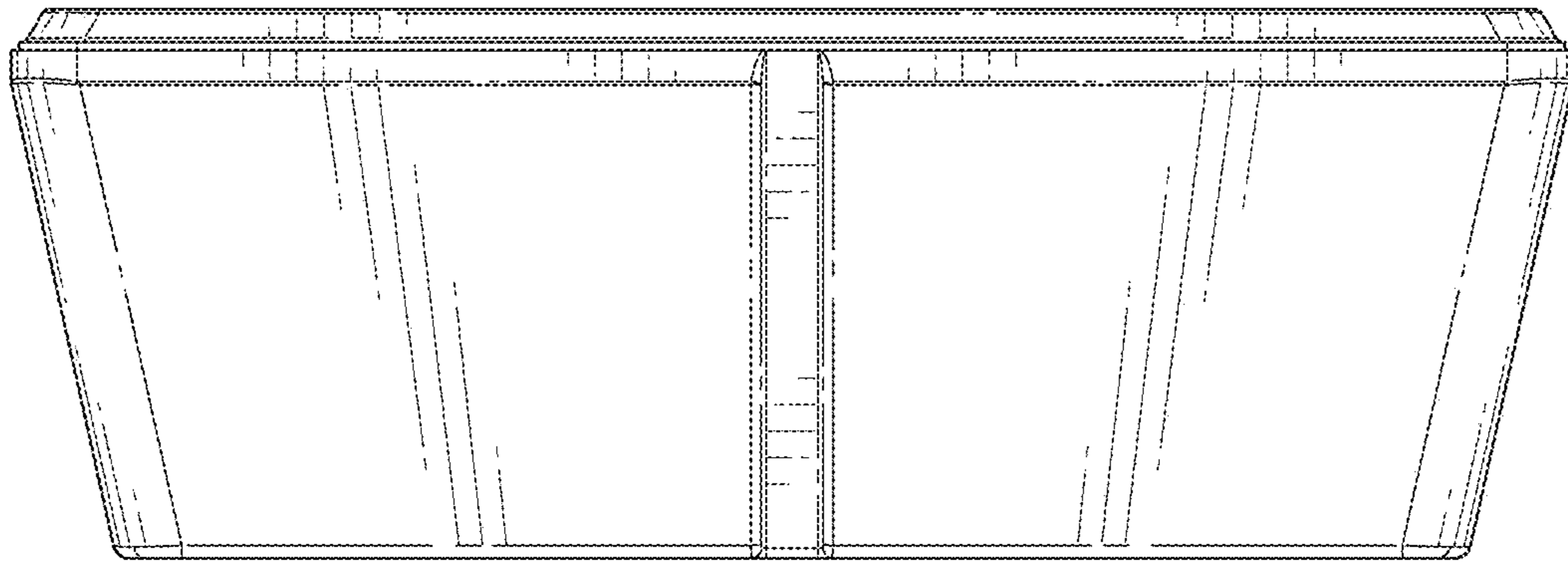


FIG. 19

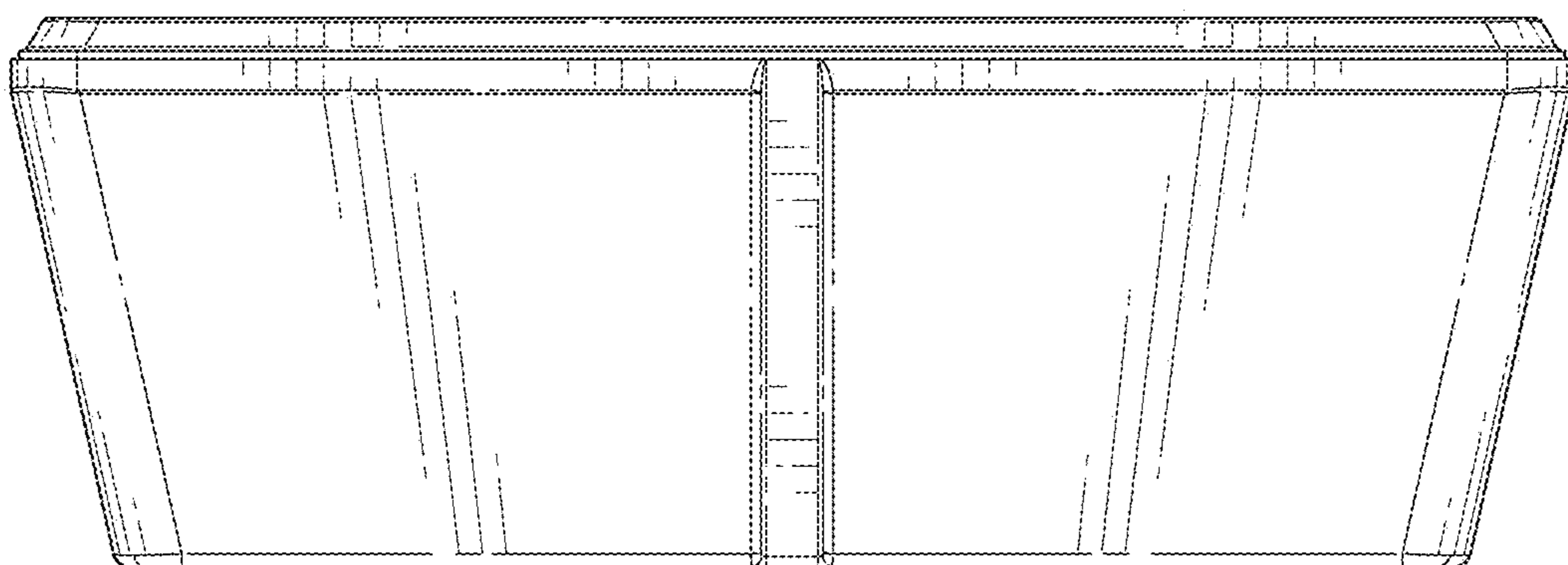


FIG. 20

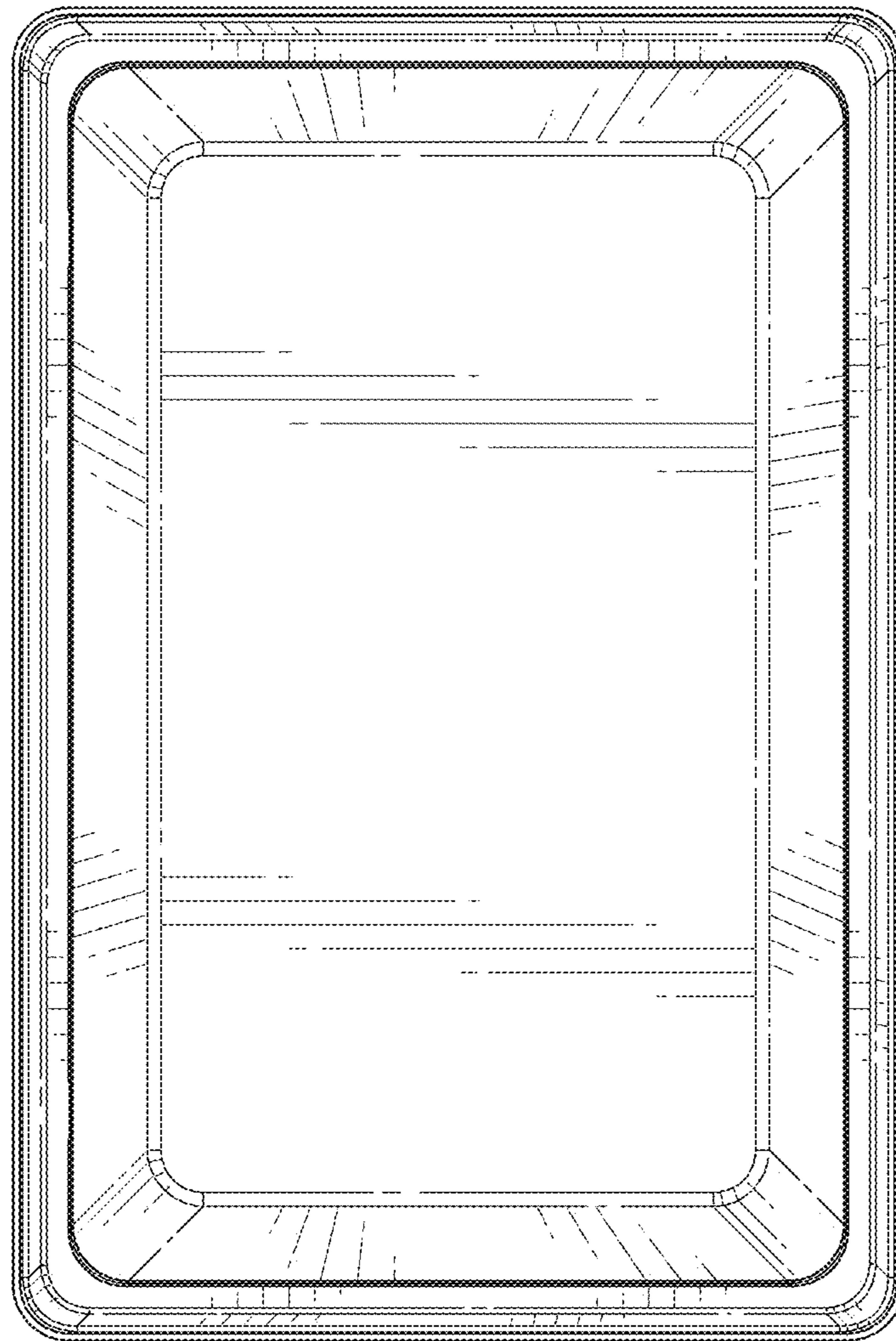


FIG. 21

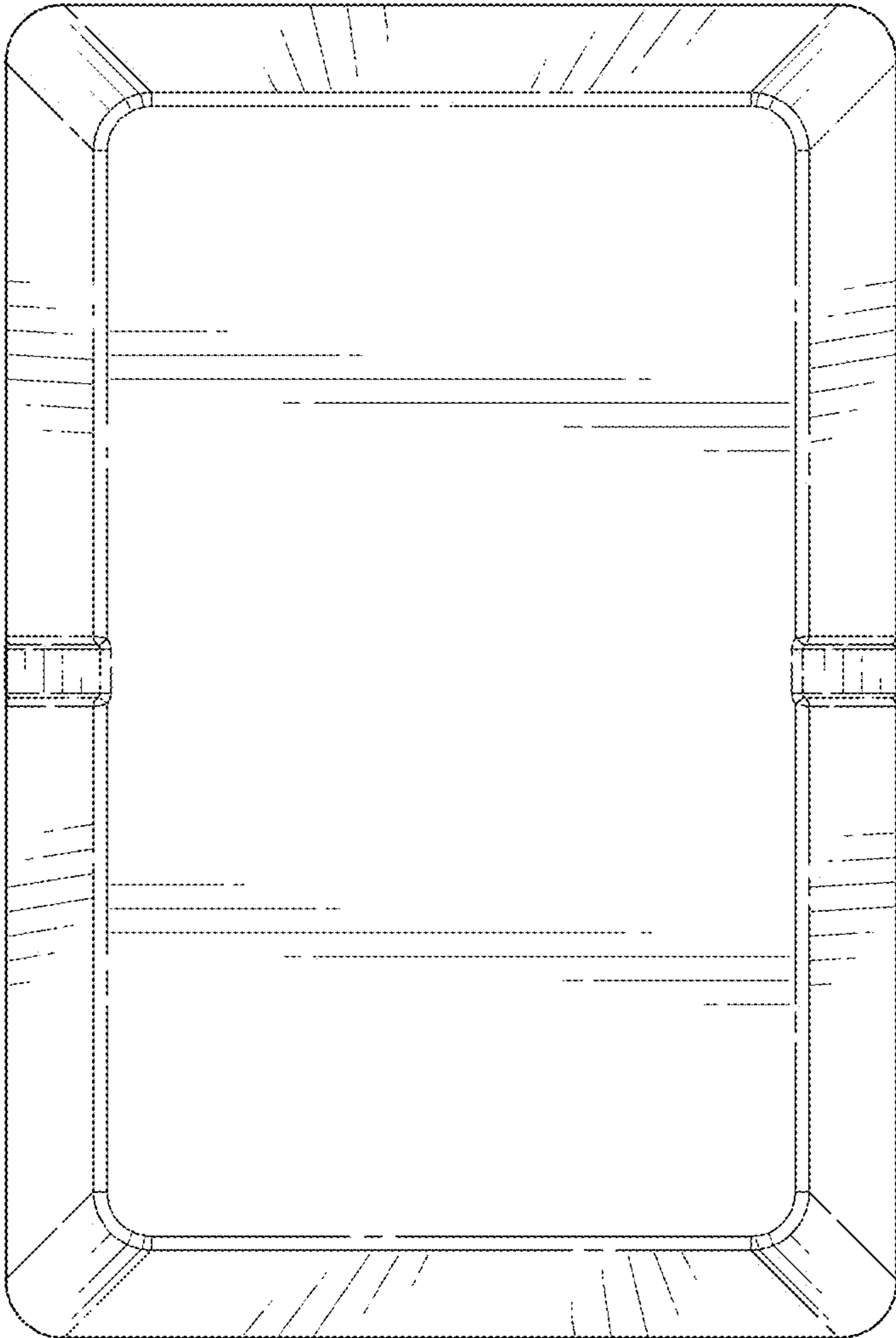


FIG. 22

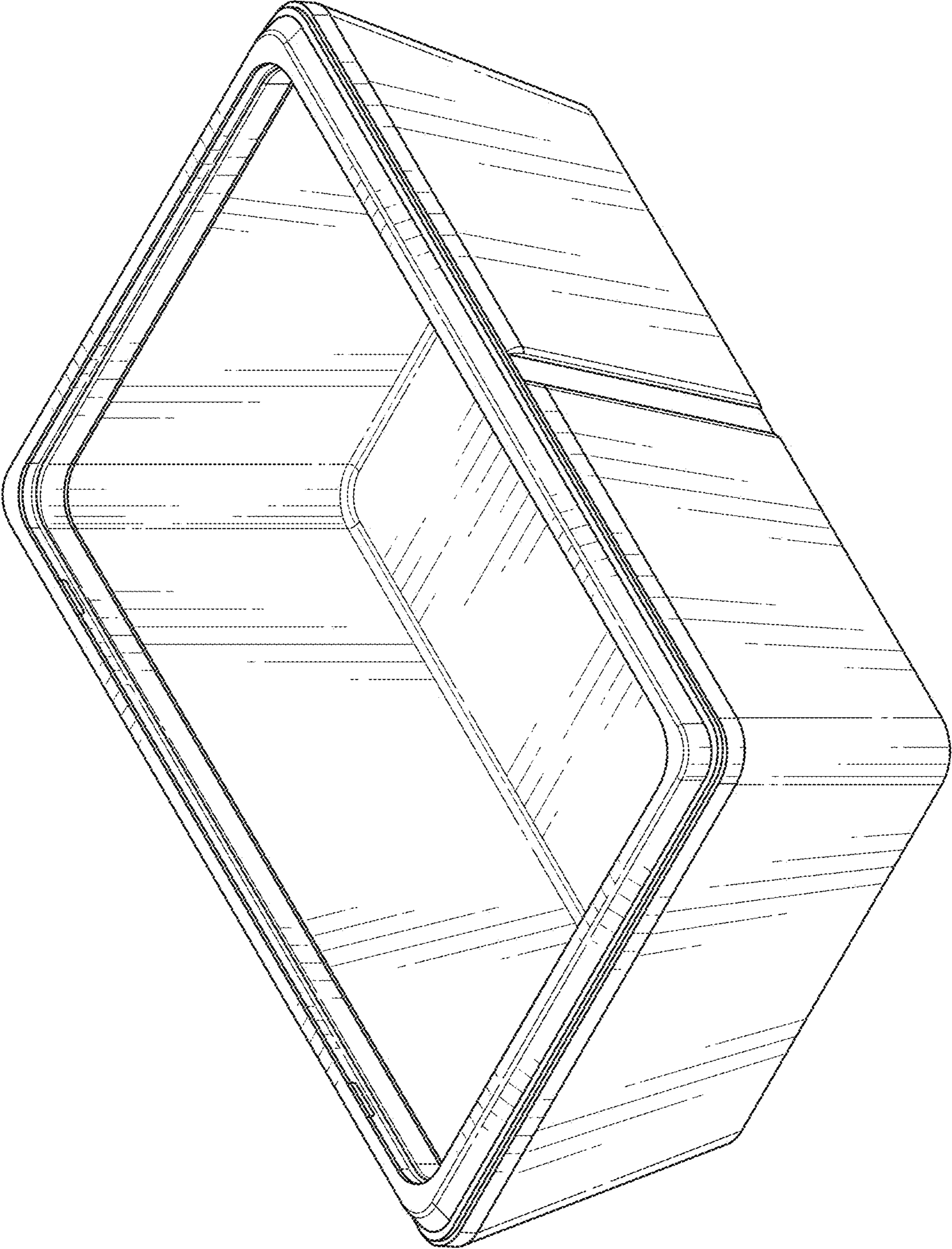


FIG. 23