



US00D901251S

(12) **United States Design Patent** (10) **Patent No.:** **US D901,251 S**  
**Griebel et al.** (45) **Date of Patent:** **\*\* Nov. 10, 2020**

(54) **EGG CARRIER** 6,912,970 B2 \* 7/2005 Sage, Jr. .... A01K 5/0114  
119/61.5

(71) Applicant: **CARGILL, INCORPORATED,** D524,604 S \* 7/2006 Vendl ..... D7/545  
Wayzata, MN (US) D540,112 S \* 4/2007 Nichols ..... D7/354  
D541,110 S \* 4/2007 Wasserman ..... D7/584  
D659,913 S \* 5/2012 Spectre ..... D30/130

(72) Inventors: **Jonathan Mark Griebel,** Maple Grove, D694,621 S \* 12/2013 McCarthy ..... D9/429  
MN (US); **Jonathan Paul,** Wayzata, D781,109 S \* 3/2017 Rubino ..... D7/587  
MN (US) D793,857 S \* 8/2017 Rice ..... D9/425  
D823,643 S \* 7/2018 Paul ..... D7/584  
D826,643 S \* 8/2018 Sahatjian ..... D7/550.1  
D827,383 S \* 9/2018 Sahatjian ..... D7/550.1  
D827,384 S \* 9/2018 Sahatjian ..... D7/550.1  
D839,053 S \* 1/2019 Huang ..... D7/602  
D867,071 S \* 11/2019 Berger ..... D7/584  
D887,784 S \* 6/2020 Pitcher ..... D7/587

(73) Assignee: **Cargill, Incorporated,** Wayzata, MN (US)

(\*\*) Term: **15 Years**

(21) Appl. No.: **29/694,639**

(22) Filed: **Jun. 12, 2019**

(51) **LOC (12) Cl.** ..... **07-01**

(52) **U.S. Cl.**  
USPC ..... **D7/550.1**

(58) **Field of Classification Search**  
USPC ..... D9/702-714; D7/601-602, 500, 513,  
D7/550.1, 553.1-553.8  
CPC ... B65D 1/00; B65D 1/30; B65D 1/34; B65D  
1/36; B65D 5/48; B65D 5/00; B65D  
81/00; B65D 81/30; B65D 81/34  
See application file for complete search history.

(56) **References Cited**

**U.S. PATENT DOCUMENTS**

D214,678 S \* 7/1969 Weeber ..... D7/543  
4,483,455 A \* 11/1984 Prophet, Jr. .... A47G 23/06  
220/23.83  
D341,539 S \* 11/1993 Davis ..... D7/550.1  
D434,946 S \* 12/2000 Jarvis ..... D7/354

\* cited by examiner

*Primary Examiner* — Kelley A Donnelly

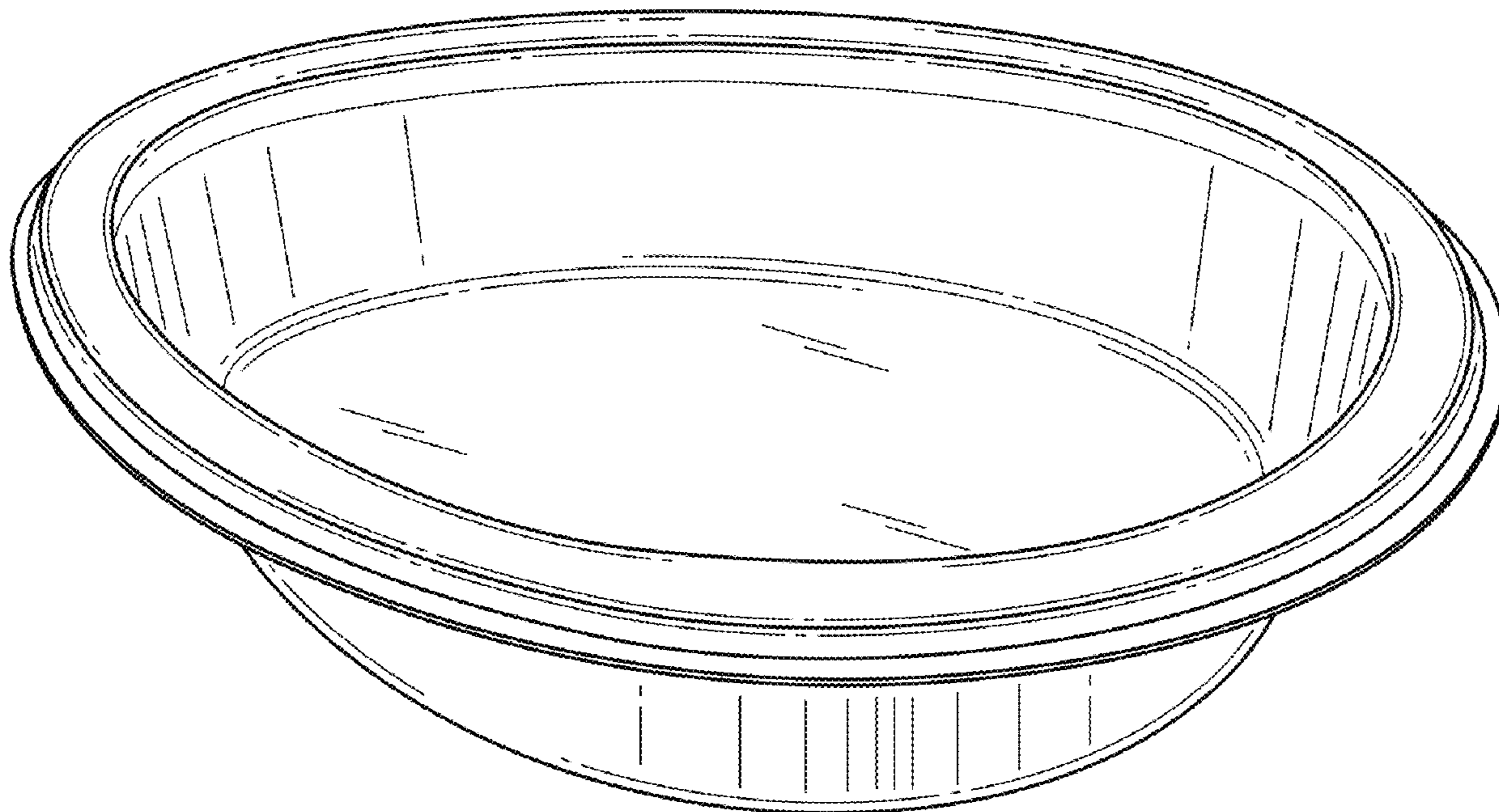
(57) **CLAIM**

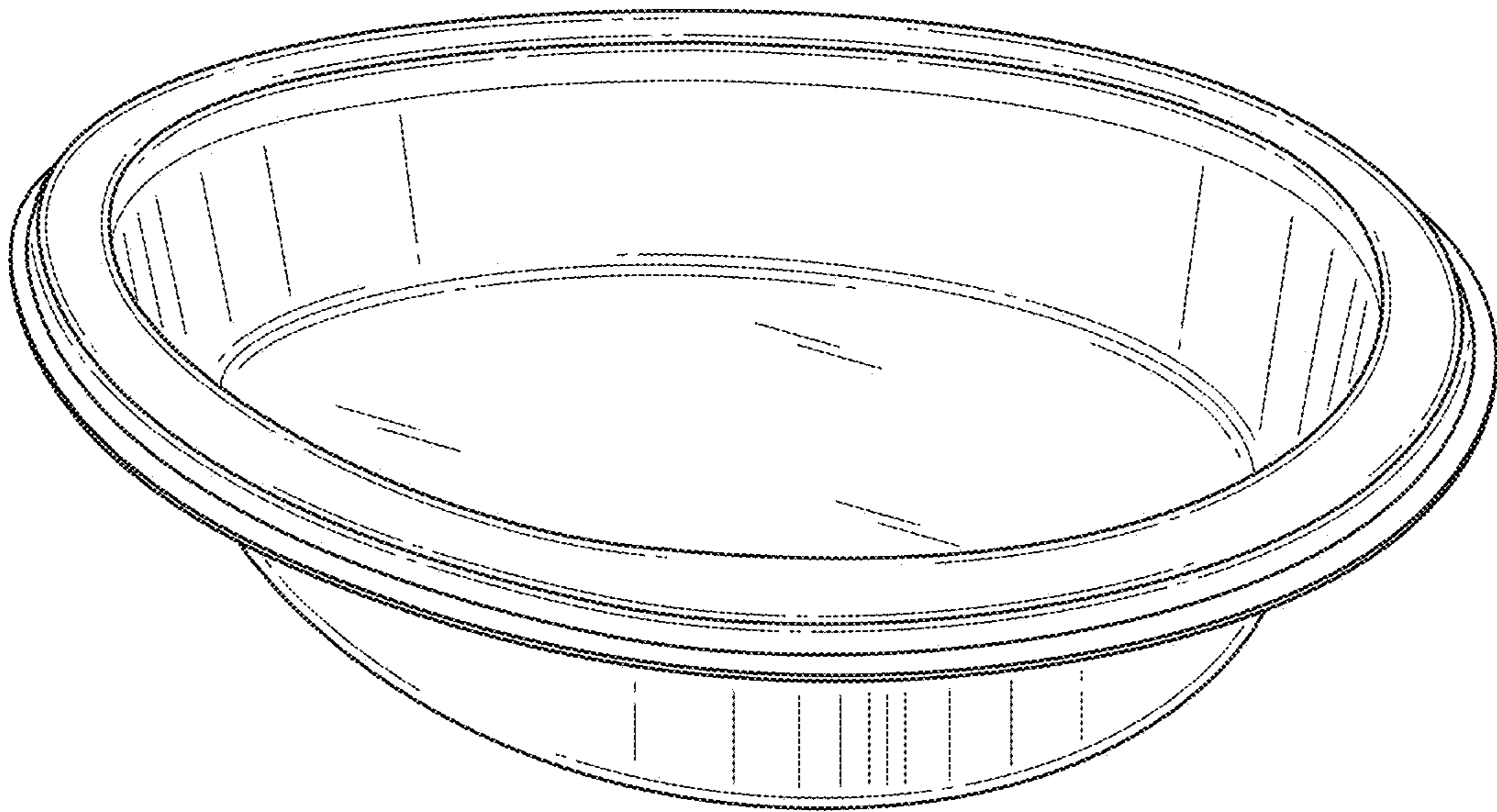
The ornamental design for an egg carrier, as shown and described.

**DESCRIPTION**

FIG. 1 is a perspective view of an egg carrier of my new design;  
FIG. 2 is a top view of the egg carrier of FIG. 1; and  
FIG. 3 is a bottom view of the egg carrier of FIG. 1;  
FIG. 4 is a front view of the egg carrier of FIG. 1;  
FIG. 5 is a back view of the egg carrier of FIG. 1.  
FIG. 6 is a right view of the egg carrier of FIG. 1; and,  
FIG. 7 is a left view of the egg carrier of FIG. 1.  
The broken line portions of the drawings are for illustrative purposes only and form no part of the claimed designs.

**1 Claim, 7 Drawing Sheets**





**FIG. 1**

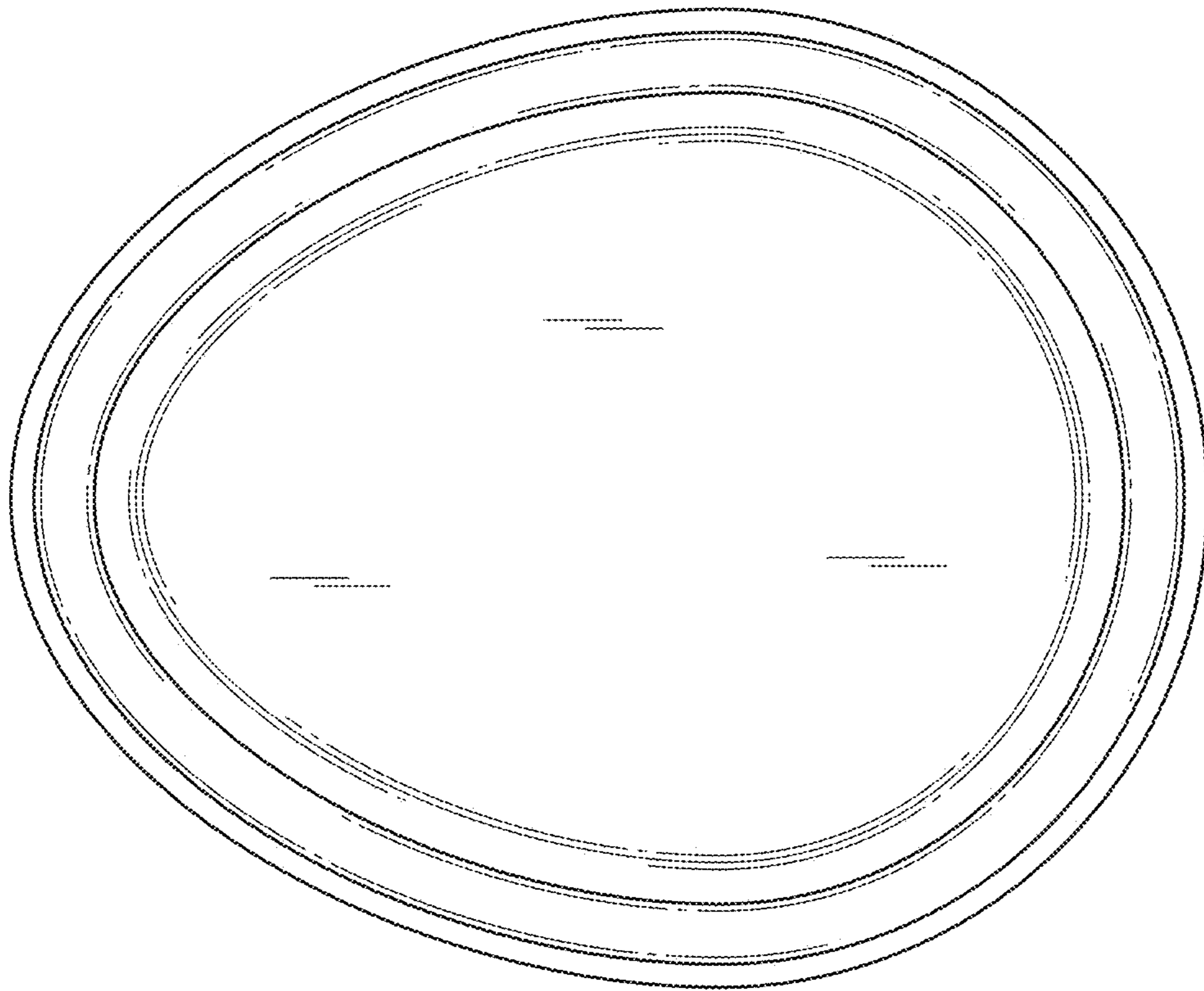


FIG. 2

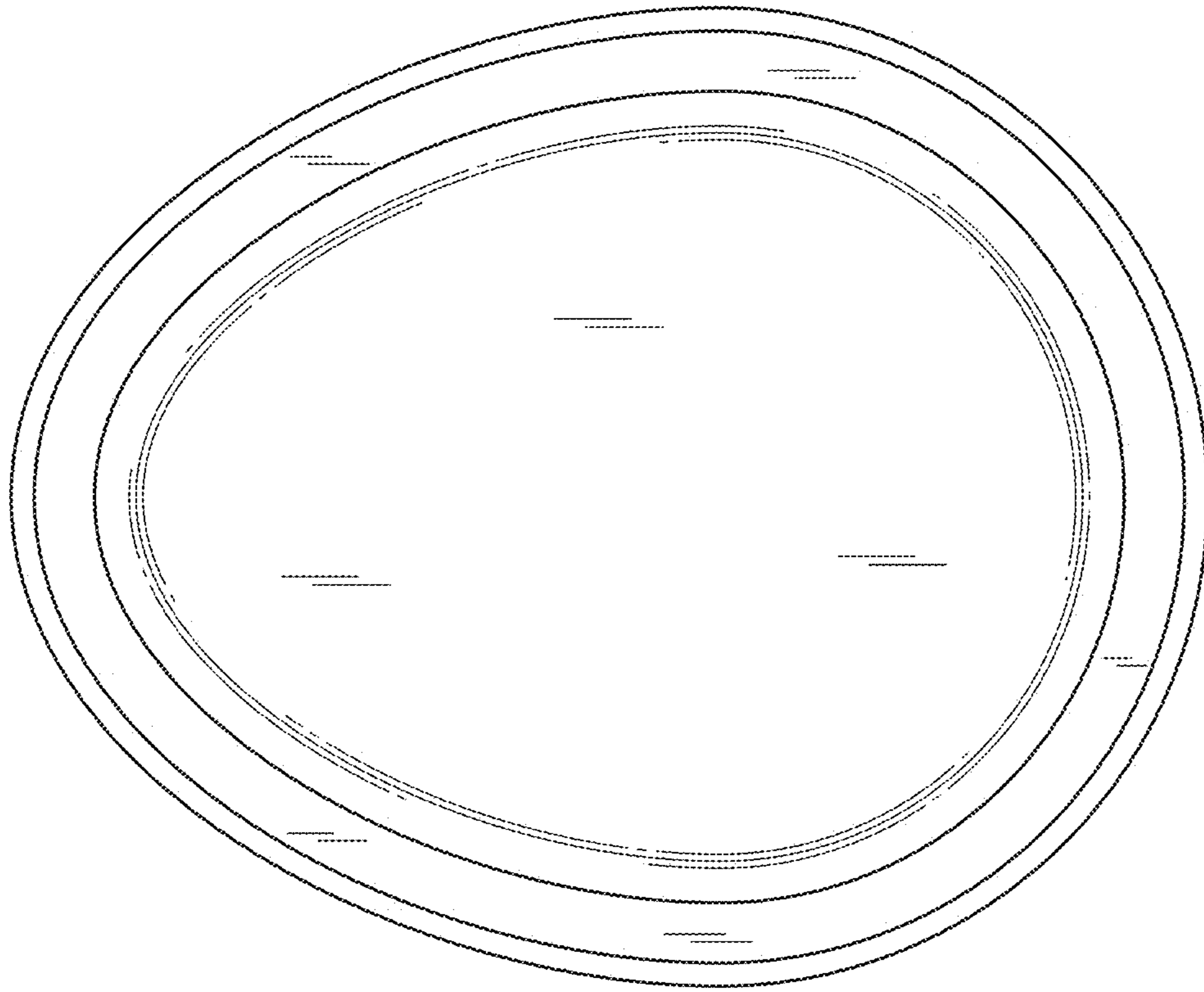
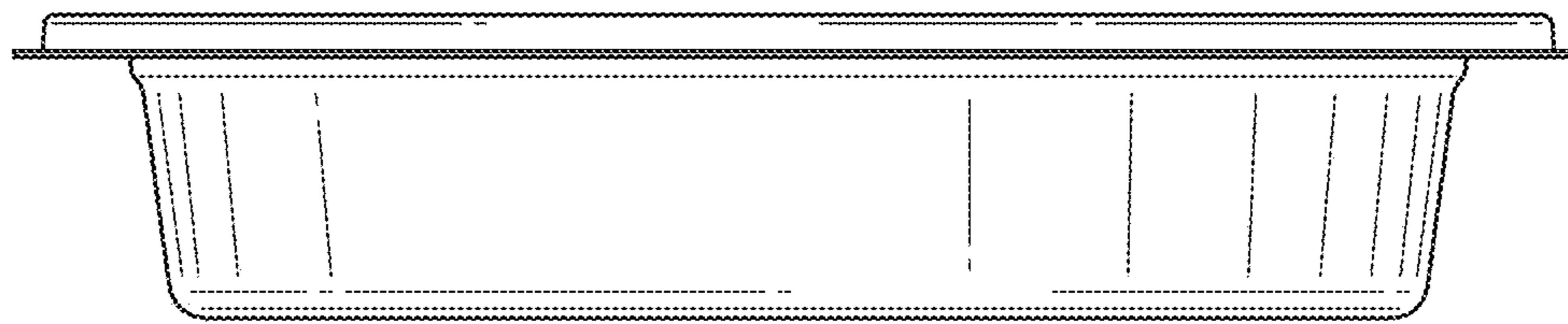
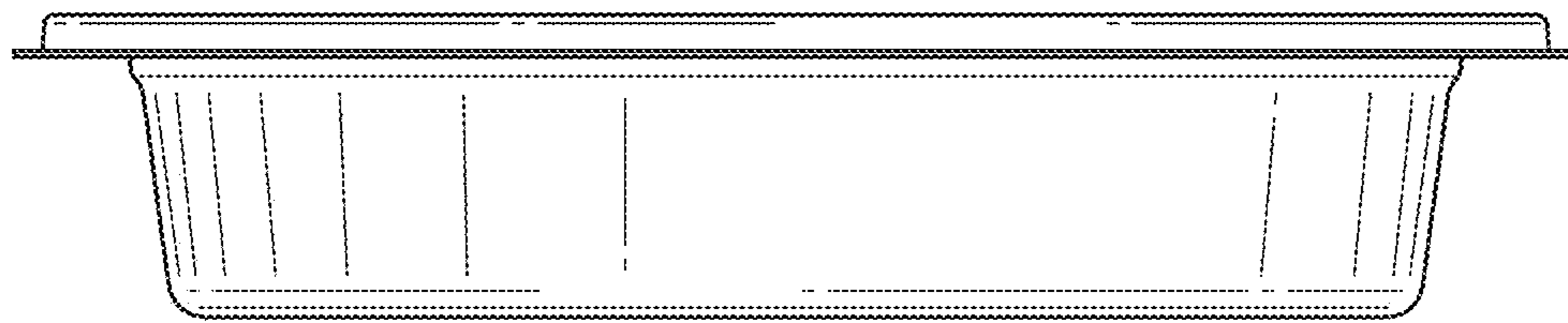


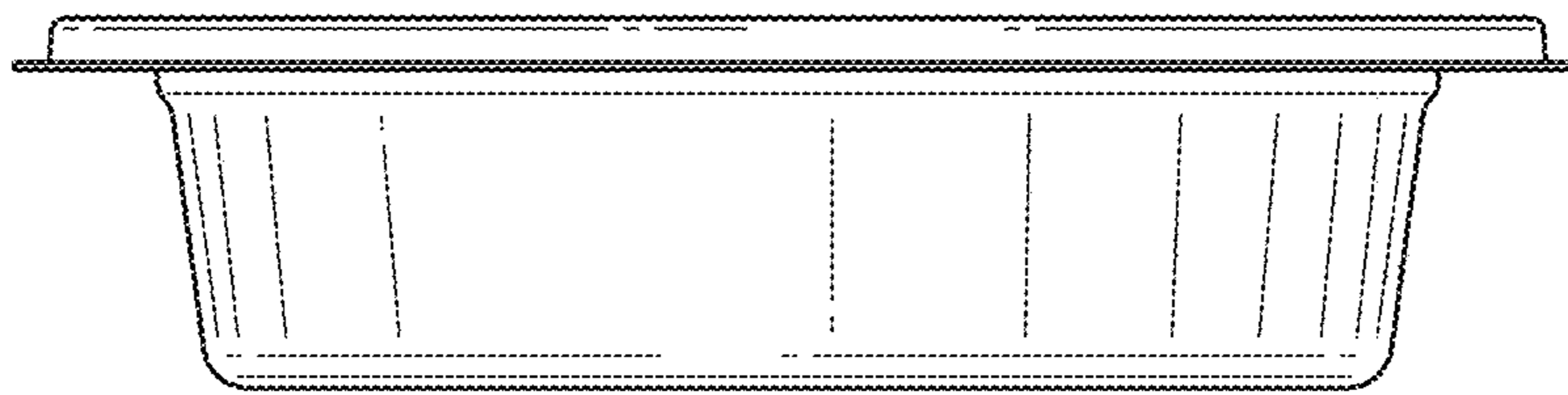
FIG. 3



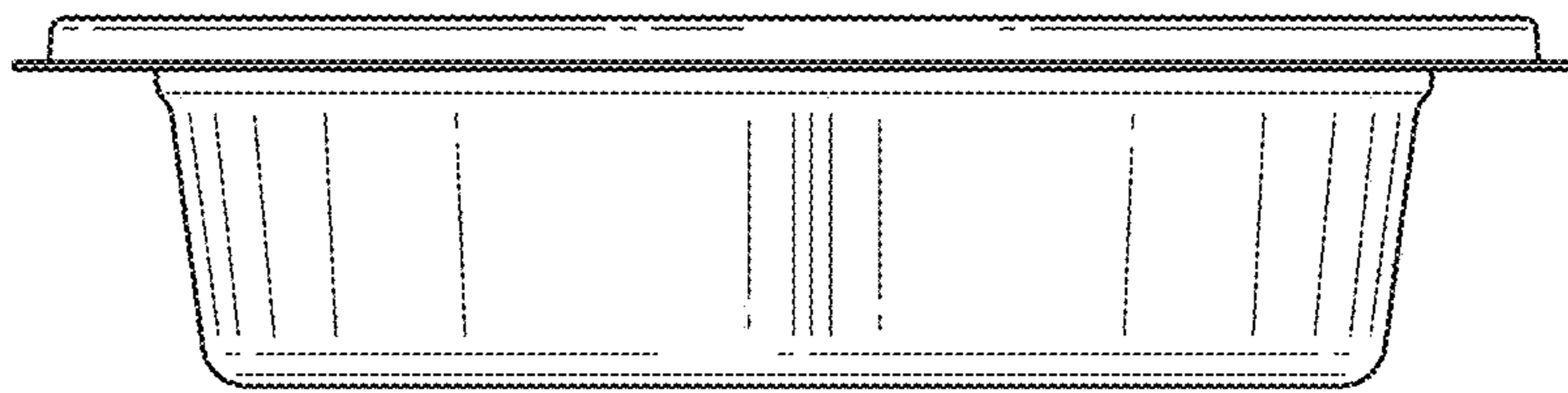
**FIG. 4**



**FIG. 5**



**FIG. 6**



**FIG. 7**