



US00D901250S

(12) **United States Design Patent**
McCabe et al.

(10) **Patent No.:** **US D901,250 S**

(45) **Date of Patent:** **** Nov. 10, 2020**

(54) **BEVERAGE CONTAINER**

(71) Applicant: **Leapfrog Product Development LLC**,
Chicago, IL (US)

(72) Inventors: **Micaela K. McCabe**, Chicago, IL (US);
Steven N. Pinelli, Ogden Dunes, IN
(US); **Jingyan Wang**, Harbin (CN);
Glen C. Gilmore, III, Naperville, IL
(US); **Brian M. Clemens**, Burnsville,
MN (US); **Richard E. Ellison**,
Chicago, IL (US); **Kurtis M. Sward**,
Anna Maria, FL (US)

(73) Assignee: **Leapfrog Product Development LLC**,
Chicago, IL (US)

(**) Term: **15 Years**

(21) Appl. No.: **29/692,813**

(22) Filed: **May 29, 2019**

(51) **LOC (12) Cl.** **07-01**

(52) **U.S. Cl.**

USPC **D7/511; D7/536; D7/532**

(58) **Field of Classification Search**

USPC D7/507, 509, 510, 511, 529, 531, 532,
D7/523, 533, 534, 535, 536, 392.1, 396.1,
D7/396.2; D9/531, 503, 516, 517, 435;
D3/202

CPC A47G 19/22; A47G 19/2288; A47G
19/2205; A47G 19/2266; A45F 3/16

See application file for complete search history.

(56) **References Cited**

U.S. PATENT DOCUMENTS

D364,810 S	12/1995	Meisner
D471,455 S	3/2003	Laveault et al.
D485,132 S	1/2004	Ohno et al.
D505,294 S	5/2005	Gauss
D508,185 S	8/2005	Gauss
D515,357 S	2/2006	Ward et al.
D528,862 S	9/2006	Li
D533,061 S	12/2006	Li

D564,841 S	3/2008	Clemens et al.
D579,722 S	11/2008	Sakulsacha et al.
D581,727 S	12/2008	Pinelli et al.
D592,456 S	5/2009	Pinelli et al.
D592,905 S	5/2009	Pinelli et al.
D592,913 S *	5/2009	Pinelli D7/510
7,546,933 B2	6/2009	Pinelli

(Continued)

OTHER PUBLICATIONS

<https://www.zuluathletic.com/shop-all/atlas-glass-water-bottle>.
<https://waterbottles.com/kor-vida-bottle-25-oz>.
<https://www.thermos.com/genuine-thermos-brand-hydration-bottle-with-rotating-intake-meter-24oz.html>.

(Continued)

Primary Examiner — Jae Liang

(74) *Attorney, Agent, or Firm* — Barnes & Thornburg
LLP

(57) **CLAIM**

We claim the ornamental design for a beverage container, as shown and described.

DESCRIPTION

FIG. 1 is a top perspective view of a beverage container according to the new design.

FIG. 2 is a bottom perspective view of the beverage container shown in FIG. 1.

FIG. 3 is a front elevation view of the beverage container shown in FIG. 1.

FIG. 4 is a rear elevation view of the beverage container shown in FIG. 1.

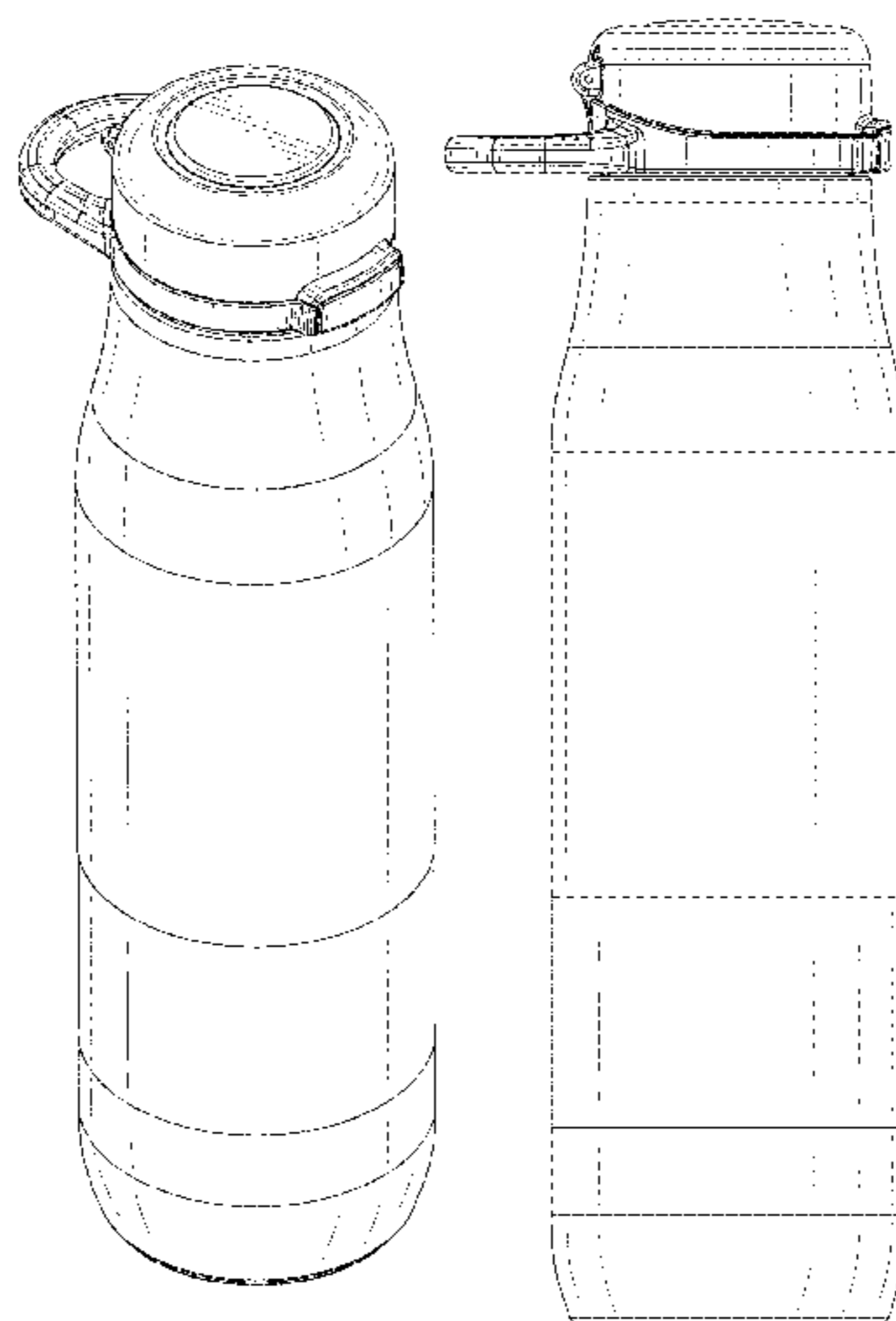
FIG. 5 is a left side elevation view of the beverage container shown in FIG. 1.

FIG. 6 is a right side elevation view of the beverage container shown in FIG. 1.

FIG. 7 is a top plan view of the beverage container shown in FIG. 1; and,

FIG. 8 is a bottom plan view of the beverage container shown in FIG. 1.

1 Claim, 8 Drawing Sheets



(56)

References Cited

OTHER PUBLICATIONS

U.S. PATENT DOCUMENTS

D609,964 S 2/2010 Lane
 D643,249 S 8/2011 Miller et al.
 7,997,442 B2 8/2011 Pinelli
 D655,580 S 3/2012 Kotani
 D656,787 S 4/2012 Phillips et al.
 D661,945 S 6/2012 Eyal
 D675,060 S 1/2013 Lane
 8,360,267 B1 1/2013 Chiou et al.
 D686,871 S 7/2013 Lane
 D693,629 S 11/2013 Miller
 D693,630 S 11/2013 Hurley et al.
 8,579,133 B2 11/2013 Marcus et al.
 8,590,731 B2 11/2013 Pinelli
 D700,012 S * 2/2014 Hurley D7/392.1
 D700,802 S 3/2014 Miller
 8,978,906 B2 3/2015 Feeley et al.
 D725,966 S 4/2015 Boroski et al.
 D739,183 S 9/2015 Lane
 9,266,643 B2 2/2016 Marcus et al.
 D758,189 S 6/2016 Roth et al.
 D758,790 S 6/2016 Boroski
 D780,578 S 3/2017 Lane et al.
 D785,402 S 5/2017 Shirley et al.
 D791,549 S * 7/2017 Goodwin D7/608
 D793,804 S 8/2017 Herbst et al.
 D794,453 S 8/2017 Boroski et al.
 D795,011 S 8/2017 Pisarevsky
 D799,898 S 10/2017 Yao
 D802,993 S 11/2017 Joseph et al.
 D804,903 S 12/2017 Mason et al.
 D804,904 S 12/2017 Noveletsky et al.
 D808,220 S 1/2018 Burns et al.
 D809,384 S 2/2018 Best et al.
 D814,398 S 4/2018 Yasunaga
 D817,713 S 5/2018 Lin
 D818,767 S 5/2018 Nezu
 D821,136 S 6/2018 Silsby et al.
 D821,137 S 6/2018 Boroski
 D821,815 S 7/2018 Chung
 D822,427 S 7/2018 Sorensen et al.
 D831,425 S 10/2018 Best et al.
 D831,433 S 10/2018 Fleischhut
 D835,939 S 12/2018 Yee et al.
 D839,044 S 1/2019 Potter et al.
 D845,766 S * 4/2019 Tartock D9/454
 D848,787 S 5/2019 Tatsukawa et al.
 D853,181 S 7/2019 Stanton
 D853,784 S 7/2019 Wu
 D865,457 S 11/2019 Kotani
 D869,230 S 12/2019 Hao
 D870,509 S 12/2019 Bo
 D871,855 S * 1/2020 Fleischhut D7/608
 D881,643 S * 4/2020 Fleischhut D7/396.2
 2011/0089059 A1 4/2011 Lane et al.
 2012/0312832 A1 12/2012 Lane
 2014/0339177 A1 11/2014 Lane
 2015/0282654 A1 10/2015 Kurabe et al.
 2017/0297785 A1 10/2017 Maruyama et al.

<https://www.thermos.com/genuine-thermos-brand-shaker-bottle-with-integrated-mixer-24oz-clear-green-accents.html>.
<https://www.tervis.com/turtle-sunset-stainless-steel-24oz-stainless-water-bottle-1362572.html>.
<https://www.swell.com/shop/swell/bottles/>.
<http://www.pogogear.com/32oz-tritan-straw>.
<http://www.pogogear.com/32oz-tritan-chug>.
<http://www.pogogear.com/18oz-tritan-chug>.
<https://www.elloproducts.com/water-bottles/chi-24oz-plastic-water-bottle>.
<https://www.elloproducts.com/kids/dash-16oz-tritan-plastic-water-bottle>.
<https://www.elloproducts.com/tumblers/cru-stemless-wine-glass-set-with-silicone-protection>.
 Aladdin Water Bottle (1 page).
<https://www.elloproducts.com/water-bottles/elsie-22oz-glass-water-bottle>.
<https://www.elloproducts.com/tumblers/beacon-24oz-vacuum-insulated-stainless-tumbler>.
<https://www.elloproducts.com/kids/rise-12oz-vacuum-insulated-stainless-steel-tumbler>.
<https://www.elloproducts.com/travel-mugs/hammertime-18oz-vacuum-insulated-stainless-steel-travel-mug>.
<https://www.elloproducts.com/water-bottles/pure-20oz-glass-water-bottle>.
<https://www.elloproducts.com/kids/max-12oz-vacuum-insulated-stainless-steel-kids-water-bottle>.
<https://www.elloproducts.com/water-bottles/syndicate-20oz-glass-water-bottle>.
 Mason Glass Jar (1 page).
https://www.camelbak.com/en/bottles/R02056-Eddy_75L_2019?color=6bbd0584f3a64b0eb30d406f7e03797e.
<https://www.gocontigo.com/20-oz-autoseal-west-loop-stainless-travel-mug-with-easy-clean-lid.html>.
<https://www.gocontigo.com/14-oz-autospout-striker-kids-water-bottle.html>.
<https://www.zojirushi.com/app/product/smyae>.
<https://www.zojirushi.com/app/product/smkc>.
<https://www.zojirushi.com/app/product/sjjs>.
<https://www.zojirushi.com/app/product/smqhe>.
<https://www.zojirushi.com/app/product/smtae>.
<https://www.zojirushi.com/app/product/smta>.
<https://www.zojirushi.com/app/product/smse>.
<https://www.zojirushi.com/app/product/smsd>.
<https://www.zojirushi.com/app/product/smshe>.
<https://www.zojirushi.com/app/product/smkhe>.
<https://www.zojirushi.com/app/product/smsc>.
<https://www.zojirushi.com/app/product/smpc>.
<https://www.zojirushi.com/app/product/smpb>.
<https://www.pinterest.ru/pin/12666442685646757/>.
https://www.coleman.com/all-camp-kitchen/drinkware/switch-ss/col_2038485pr/COL_2038485.
<https://corkcicle.com/products/classic-arctican?variant=475182759951>.
 ELLO Reflex Beverage Container (1 page).

* cited by examiner

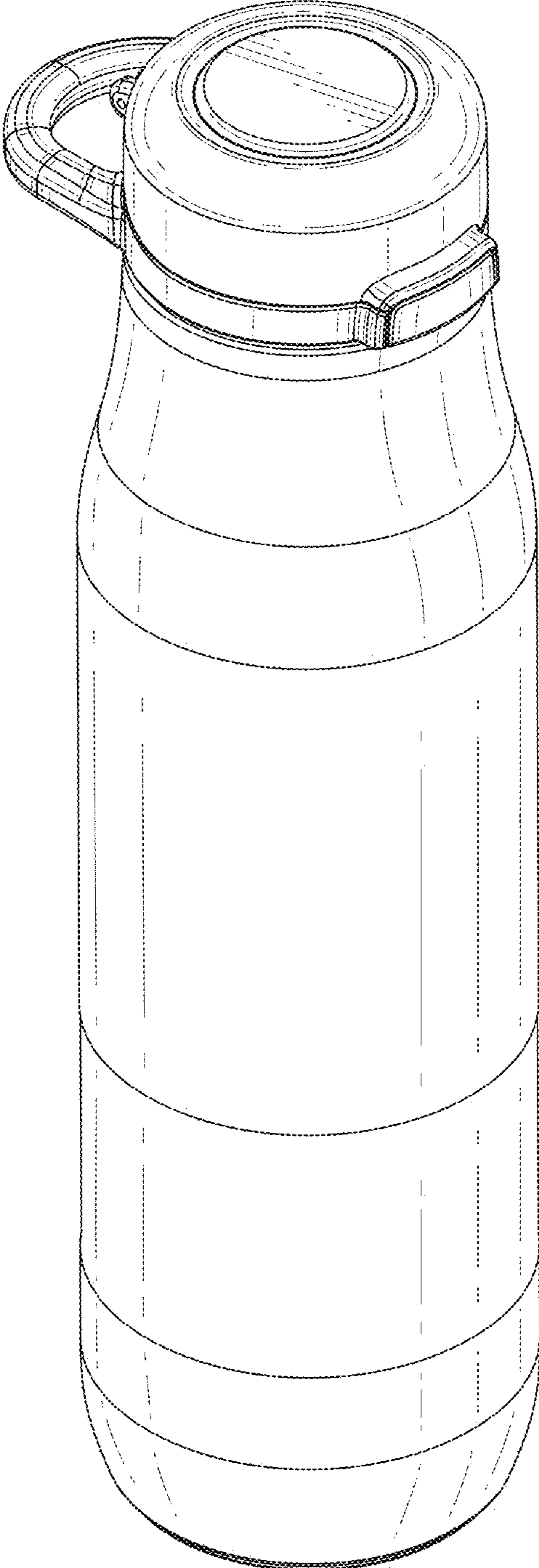


FIG. 1

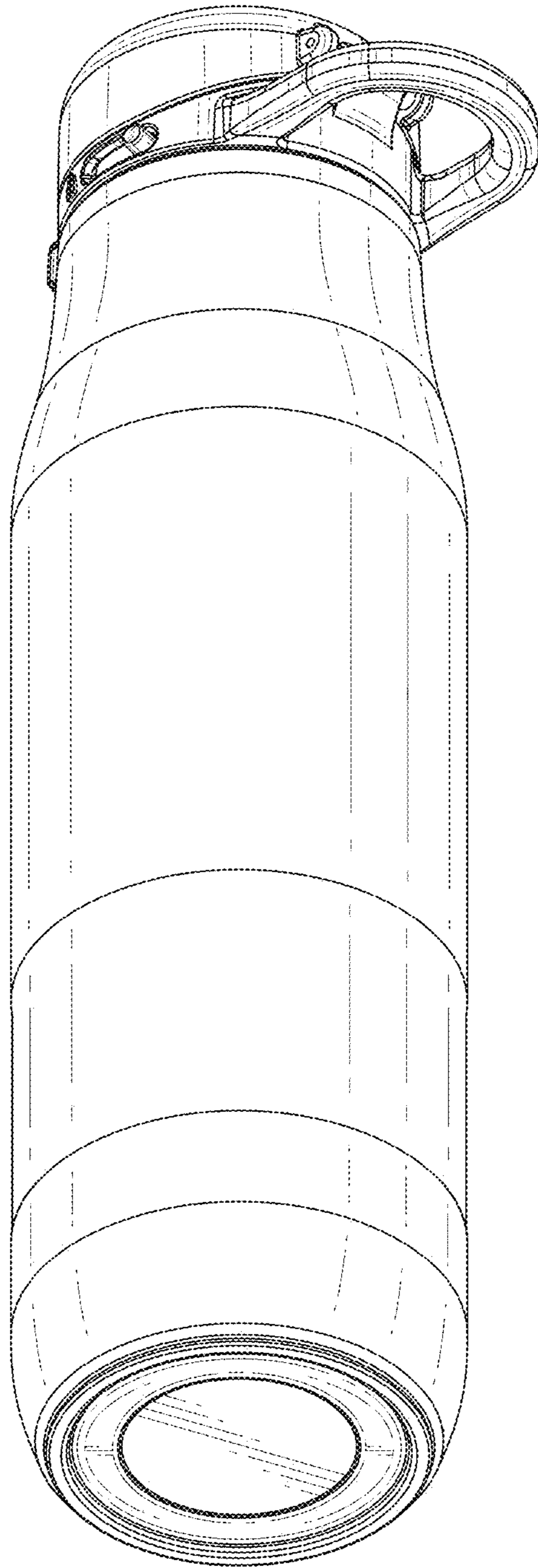


FIG. 2

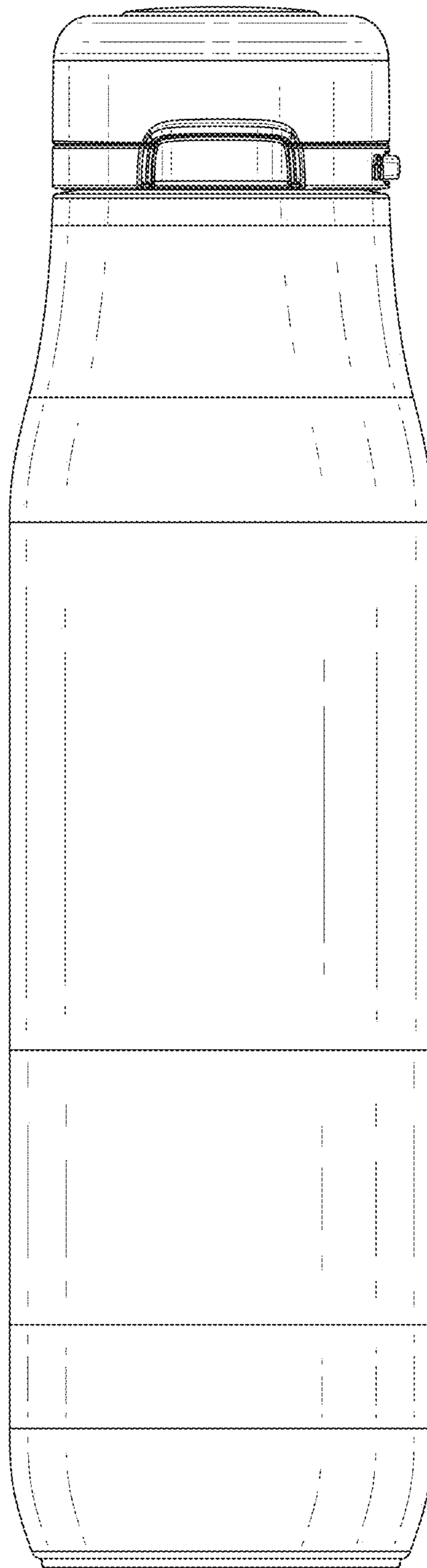


FIG. 3

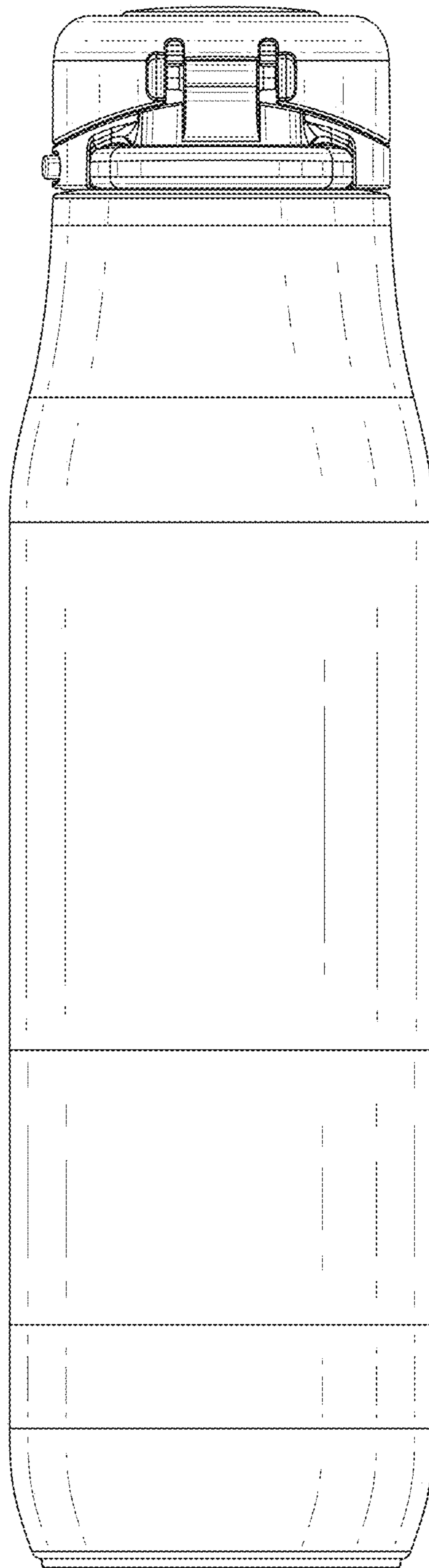


FIG. 4

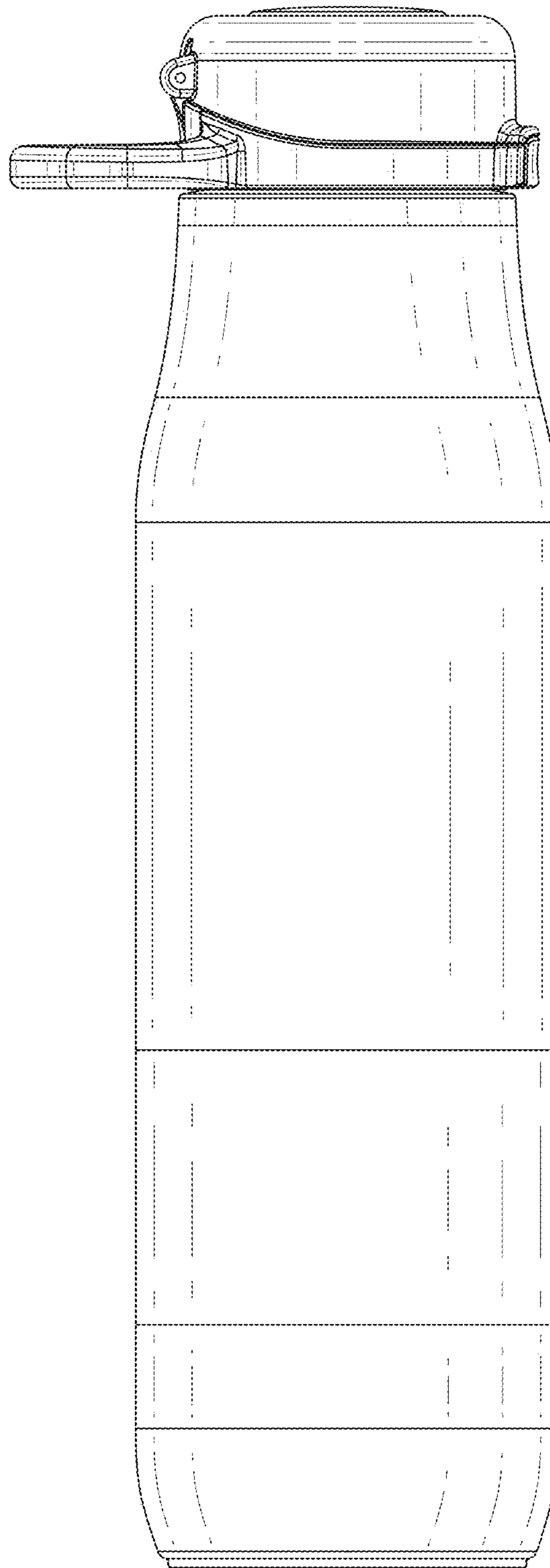


FIG. 5

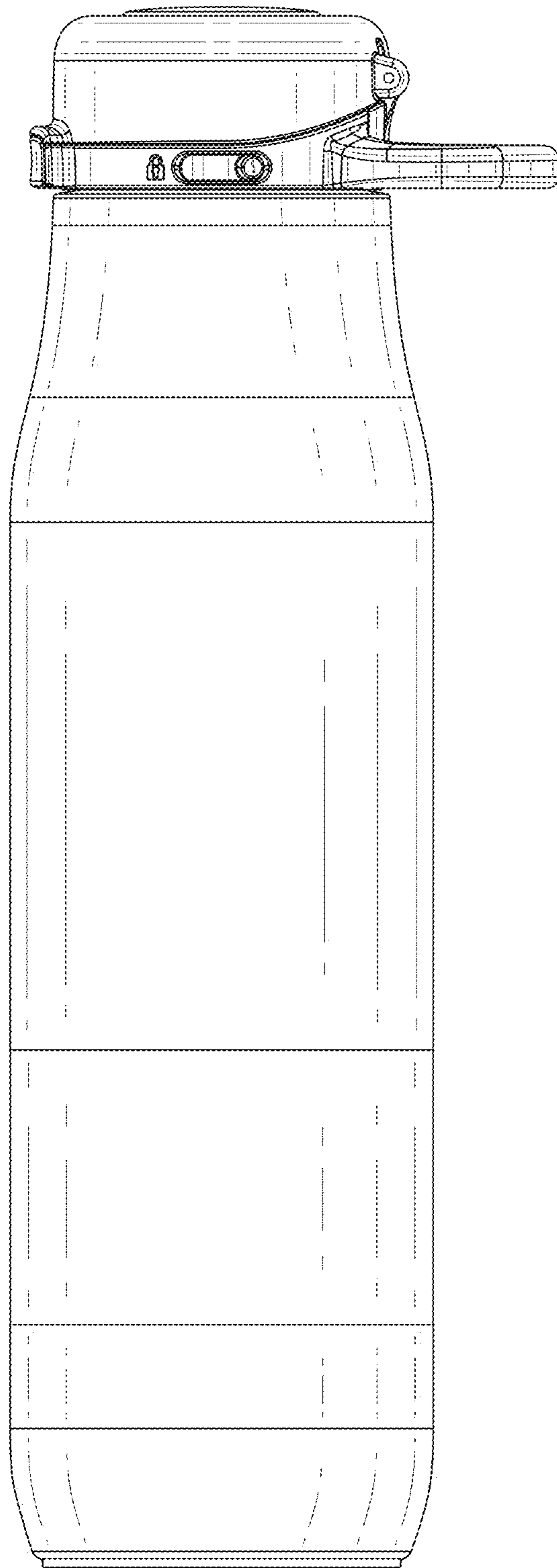


FIG. 6

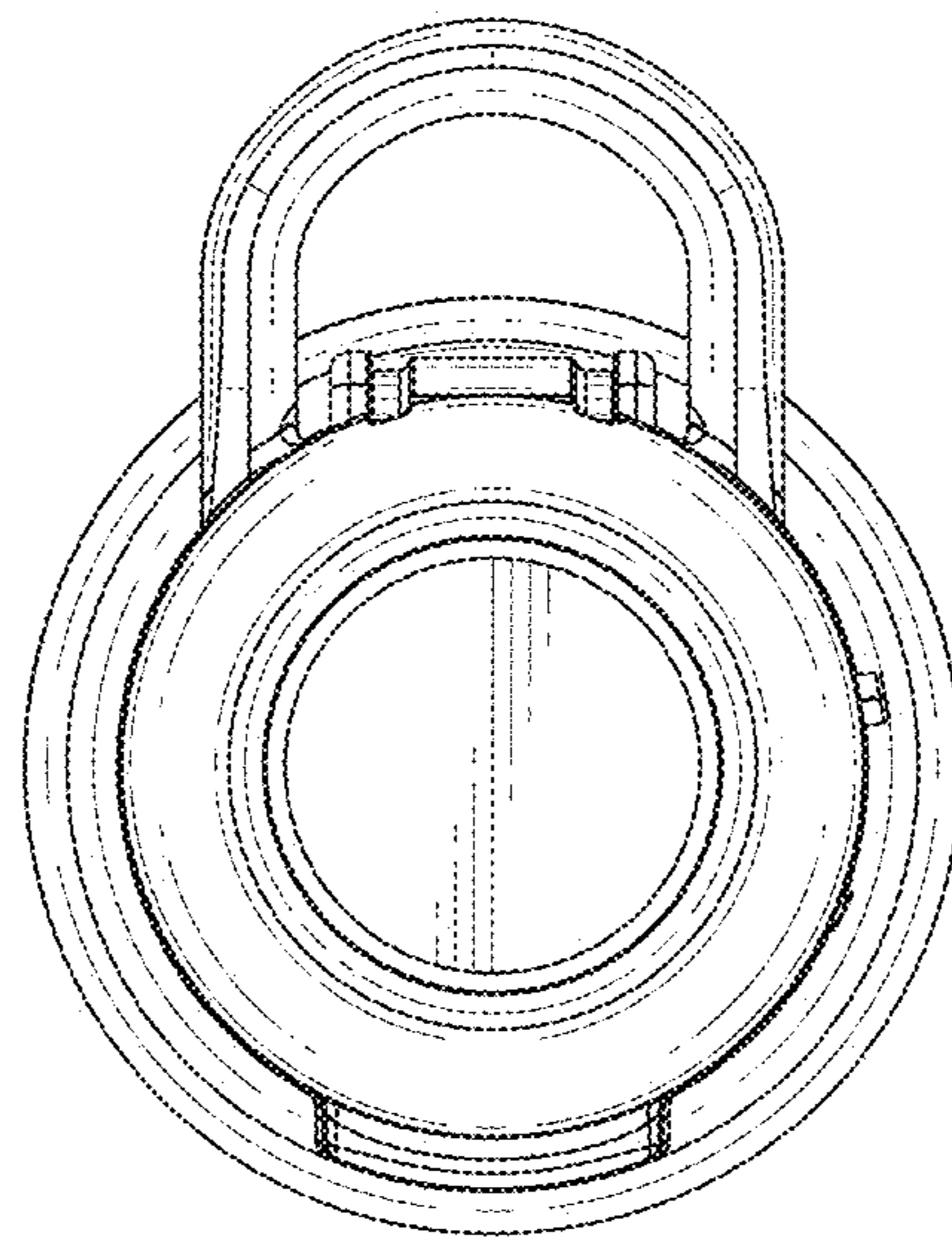


FIG. 7

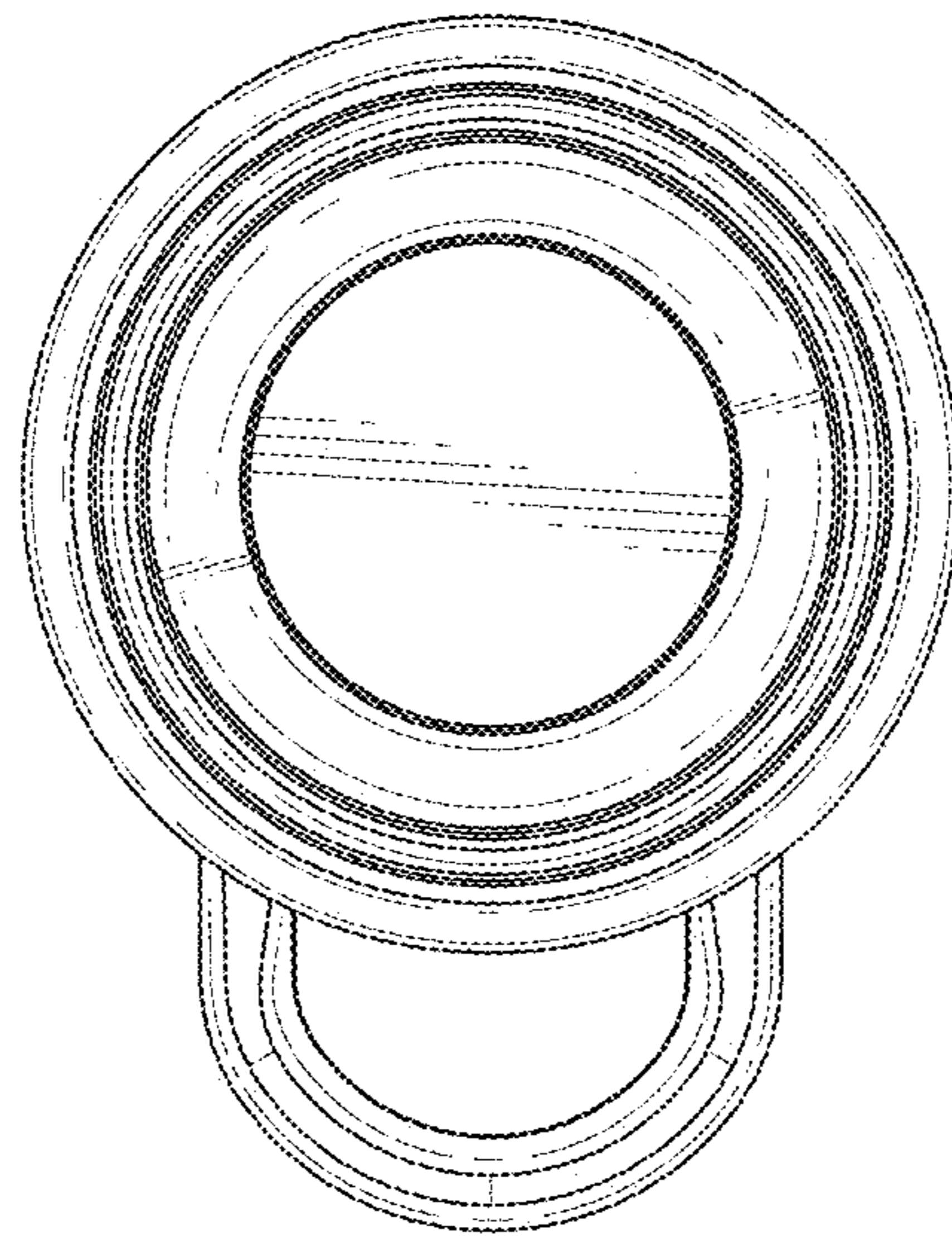


FIG. 8