



US00D901249S

(12) **United States Design Patent** (10) **Patent No.:** **US D901,249 S**
Huang (45) **Date of Patent:** **** Nov. 10, 2020**

(54) **WATER BOTTLE**
(71) Applicant: **Lihua Huang**, Guangdong (CN)
(72) Inventor: **Lihua Huang**, Guangdong (CN)
(73) Assignee: **Shenzhen Xinyuetang Plastic & Hardware Co., Ltd.**, Shenzhen (CN)
(**) Term: **15 Years**

8,746,453 B1 * 6/2014 Hall B65D 21/0202
206/504
9,457,934 B1 * 10/2016 Kirkpatrick A47G 19/2266
D805,846 S * 12/2017 Kirkpatrick D7/510
D807,184 S * 1/2018 Vazin D9/531
D810,573 S * 2/2018 Vazin D9/531
D816,409 S * 5/2018 Sawyer D7/510
D833,224 S * 11/2018 Wahlkvist D7/510
D838,598 S * 1/2019 Melkonian D9/531
D844,384 S * 4/2019 Potter D7/510
10,486,847 B1 * 11/2019 Soehnlen B65D 21/0219

* cited by examiner

(21) Appl. No.: **29/642,844**
(22) Filed: **Apr. 2, 2018**
(51) **LOC (12) Cl.** **07-01**
(52) **U.S. Cl.**
USPC **D7/511**
(58) **Field of Classification Search**
USPC D7/509, 510, 511, 533, 536, 543, 589,
D7/600, 619.1, 622; D9/516, 523, 529,
D9/530, 531, 537, 540
CPC B65D 1/02; B65D 250/0081; B65D
2525/288; B65D 25/205; B65D 25/28;
B65D 25/56; B65D 50/04; B65D 50/048;
A47G 19/2266
See application file for complete search history.

Primary Examiner — Susan E Krakower
Assistant Examiner — Andrew Kerr

(57) **CLAIM**

The ornamental design for a water bottle, as shown and described.

DESCRIPTION

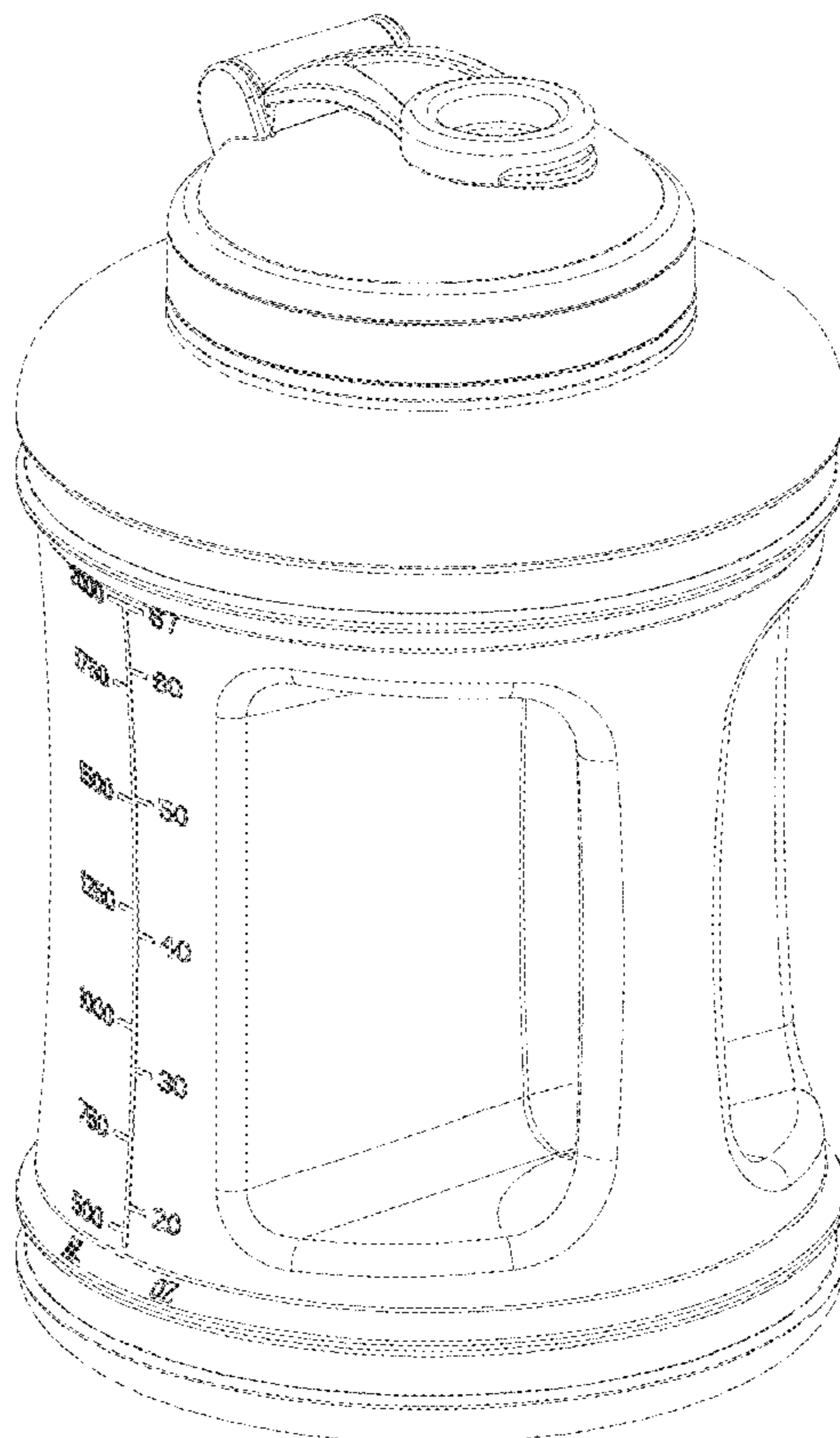
FIG. 1 is a perspective view of a water bottle showing my new design;
FIG. 2 is a front elevational view thereof;
FIG. 3 is a rear elevational view thereof;
FIG. 4 is a left side elevational view thereof;
FIG. 5 is a right side elevational view thereof;
FIG. 6 is a top plan view thereof; and,
FIG. 7 is a bottom plan view thereof.
The broken lines in the drawings depict portions of the water bottle that form no part of the claimed design.

(56) **References Cited**

U.S. PATENT DOCUMENTS

D505,076 S * 5/2005 Logan D9/528
D644,065 S * 8/2011 Llerena D7/300.1

1 Claim, 7 Drawing Sheets



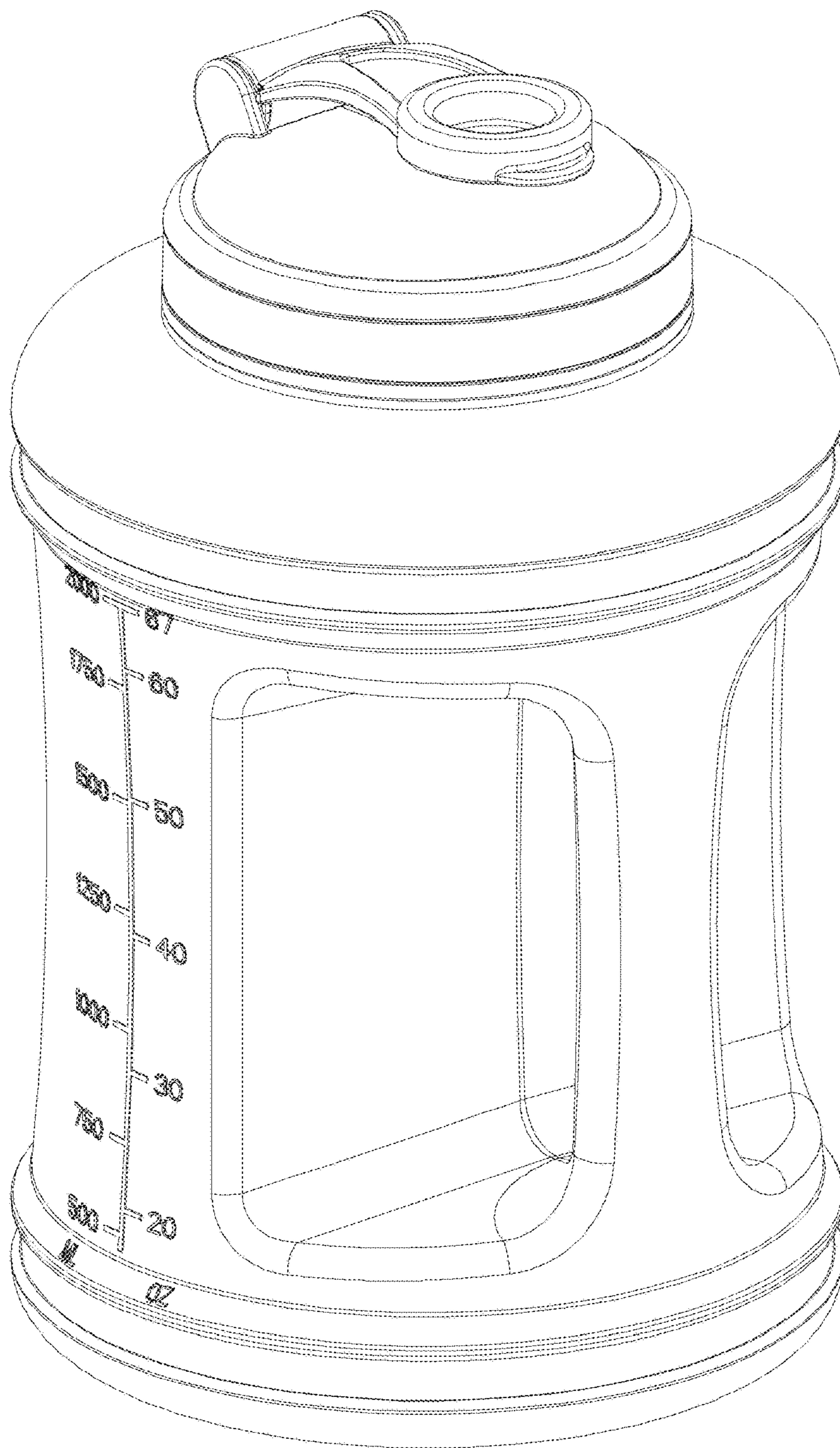


FIG. 1

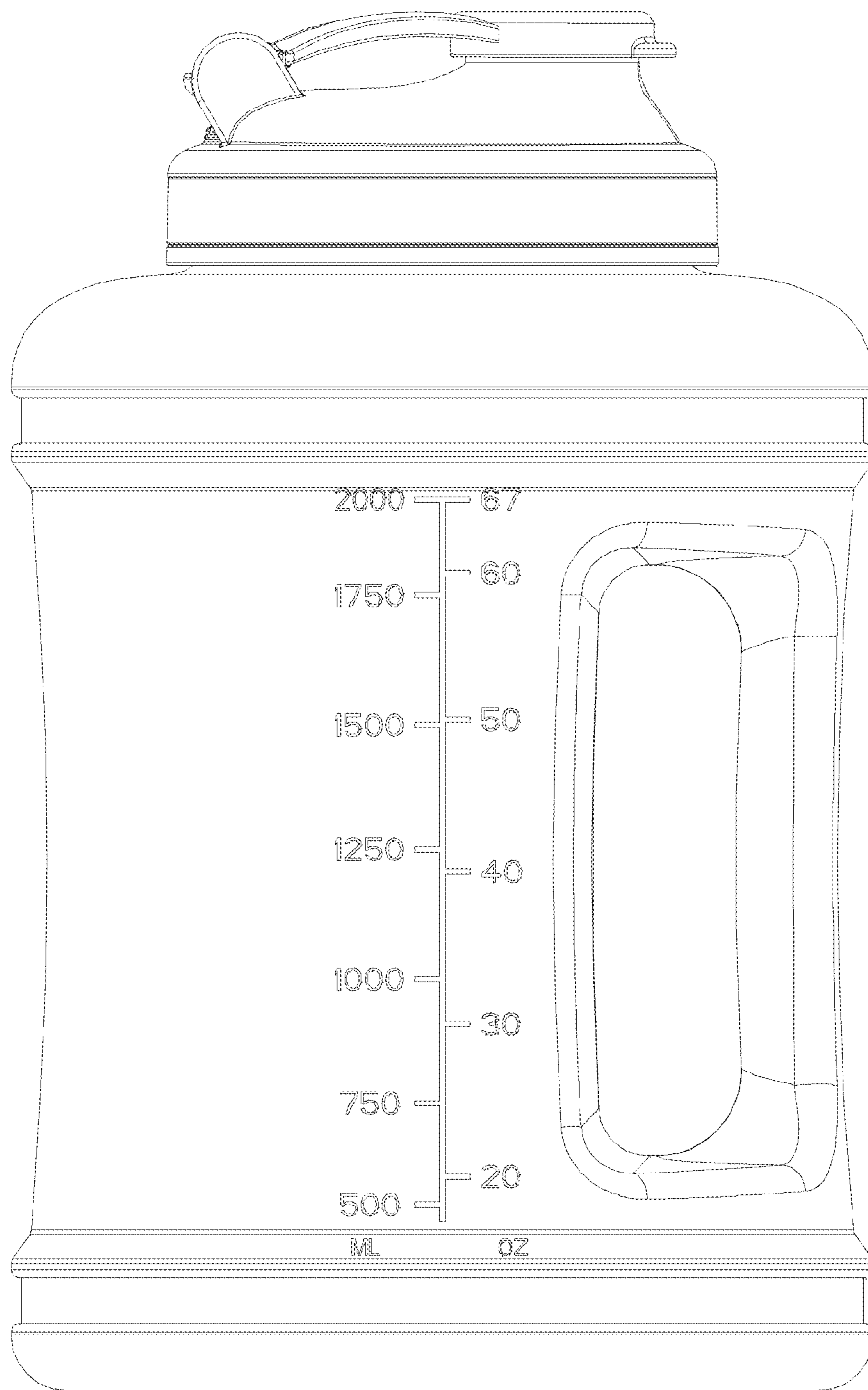


FIG. 2

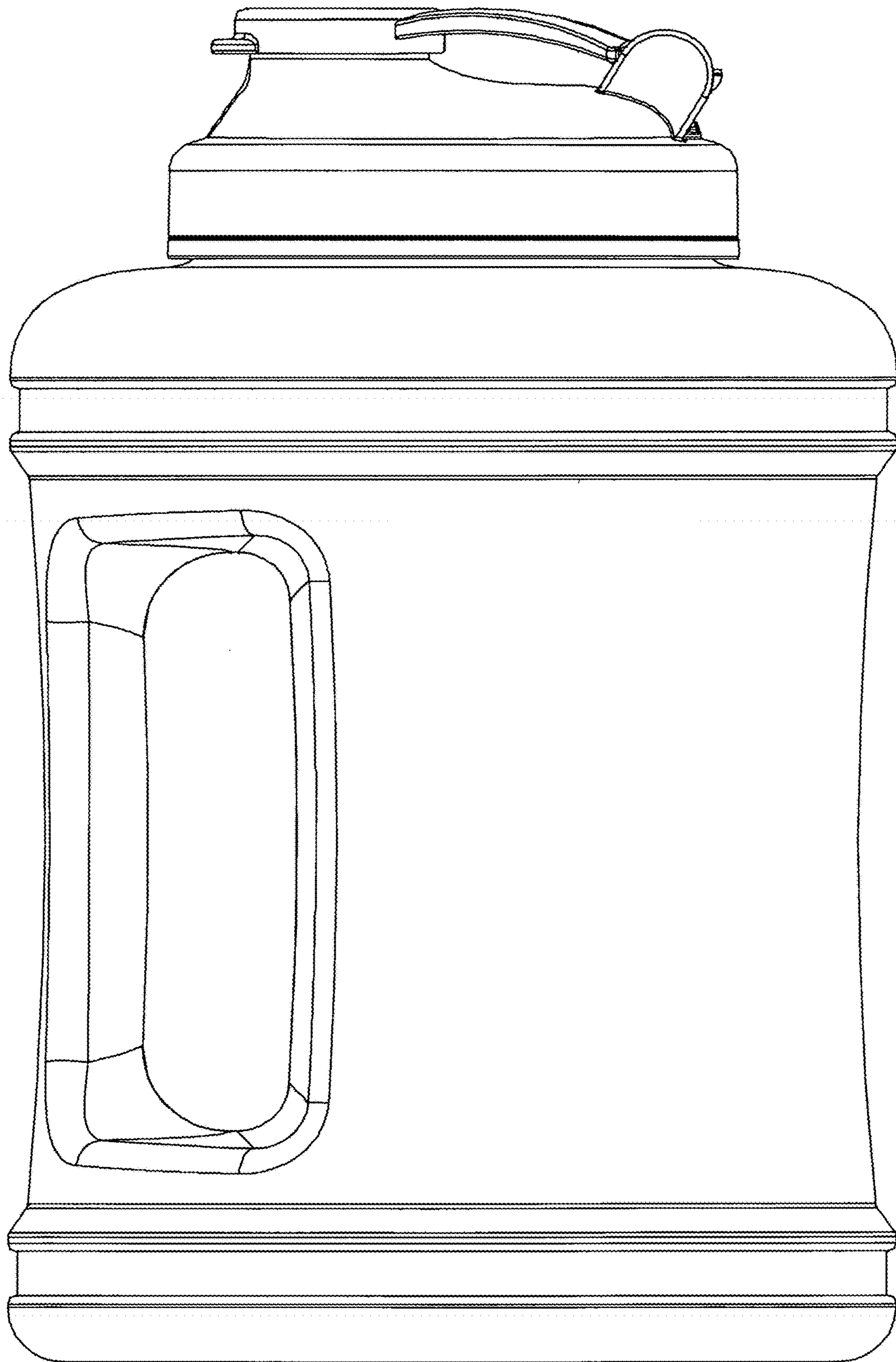


FIG. 3

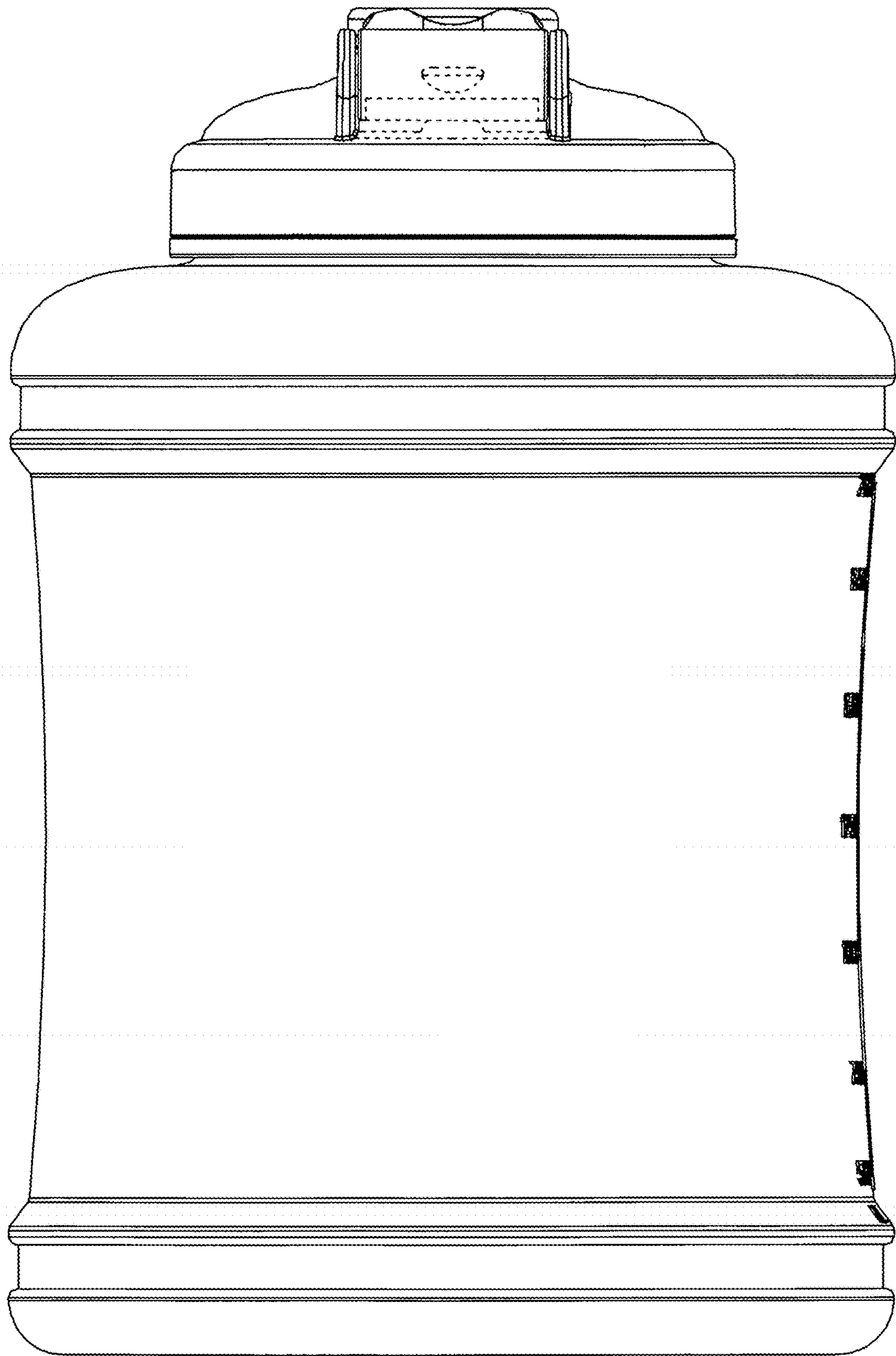


FIG. 4

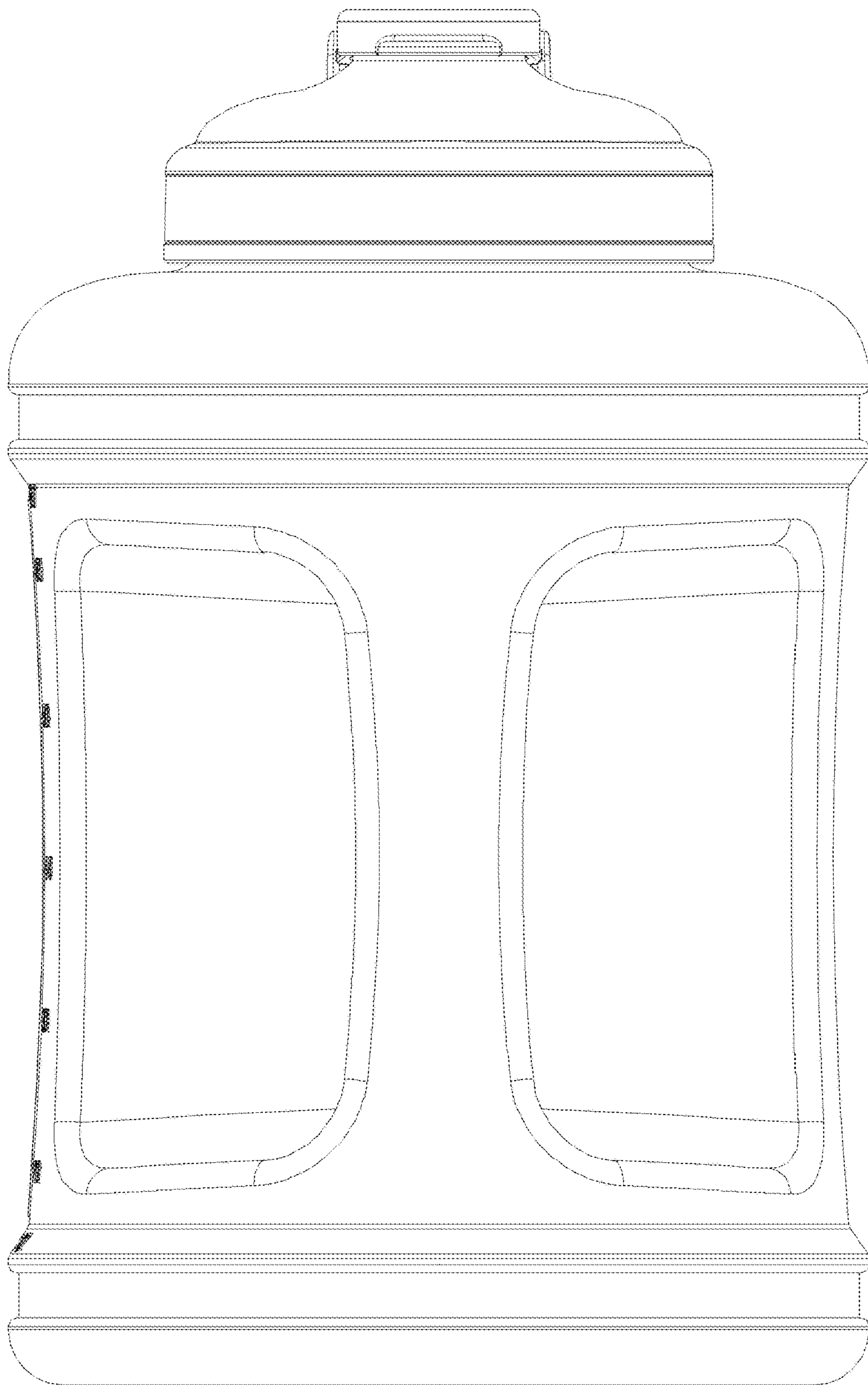


FIG. 5

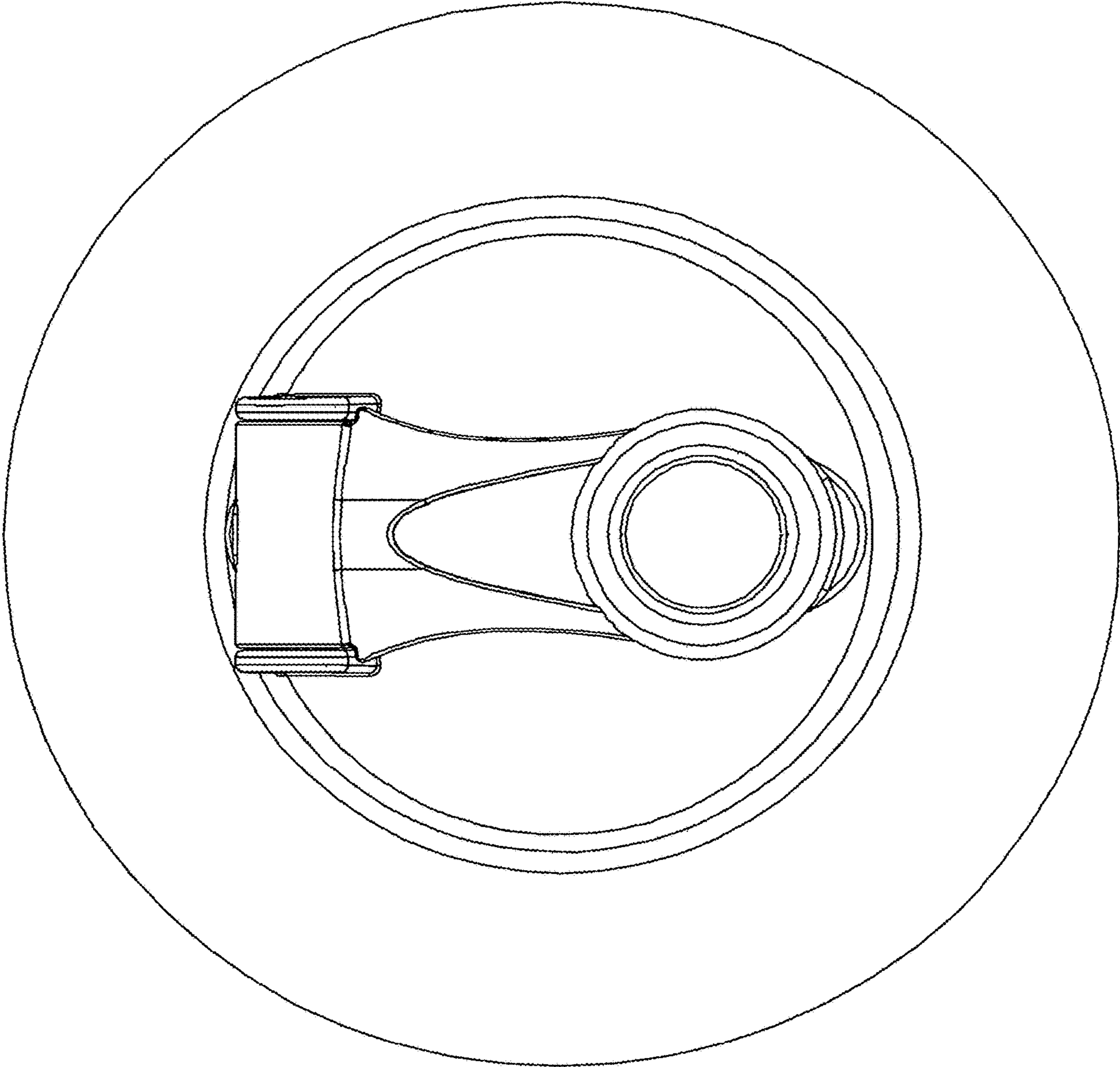


FIG. 6

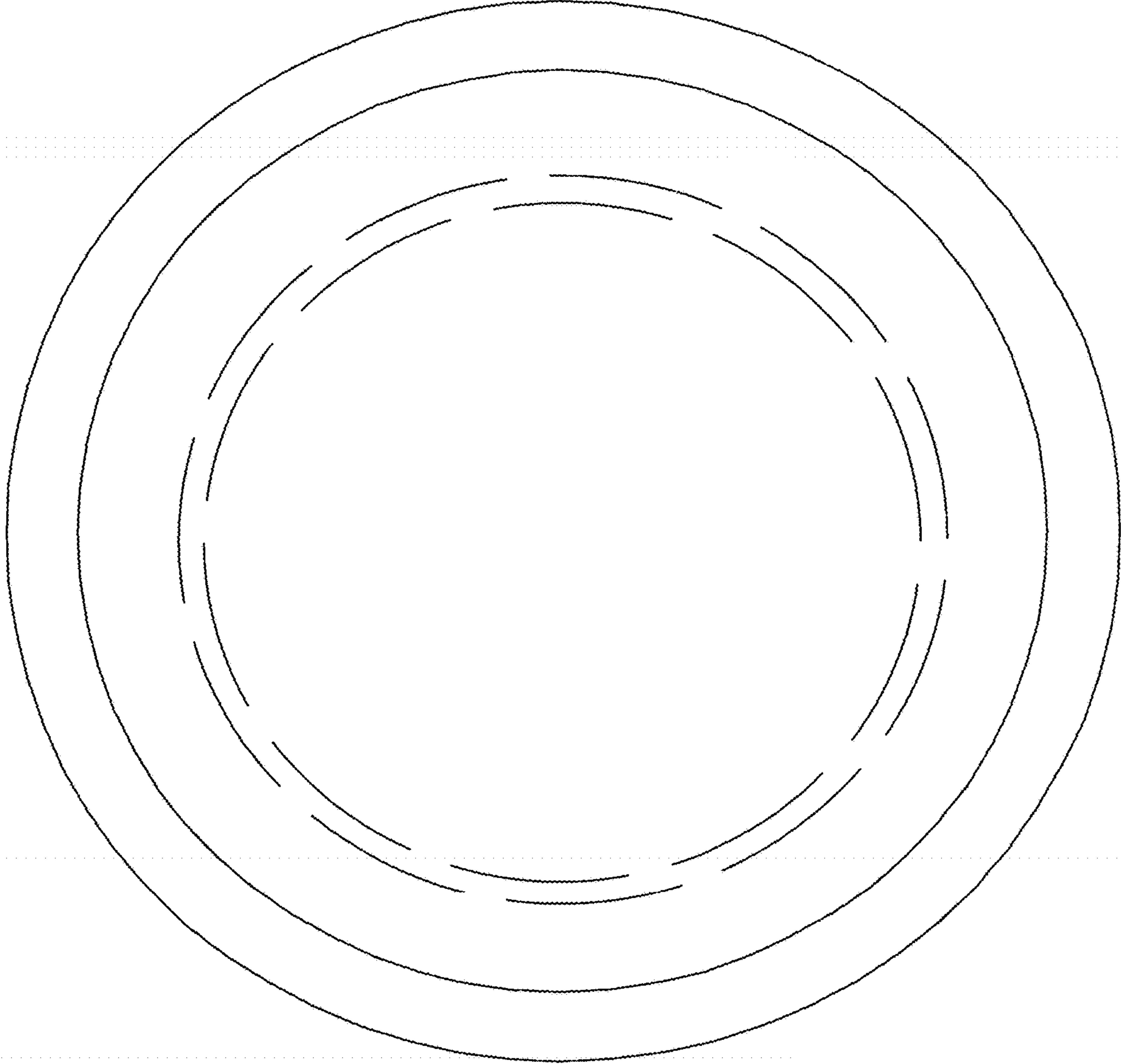


FIG. 7