



US00D901248S

(12) **United States Design Patent** (10) **Patent No.:** **US D901,248 S**
Lane et al. (45) **Date of Patent:** **** *Nov. 10, 2020**

(54) **TUMBLER**

(56) **References Cited**

(71) Applicant: **THERMOS L.L.C.**, Schaumburg, IL (US)

U.S. PATENT DOCUMENTS

(72) Inventors: **Marvin Lane**, Wheeling, IL (US);
Dwayne Boroski, Lake in the Hills, IL (US); **Ryan Stuart Biery**, Chicago, IL (US); **Kelly Tina Lin**, Plainfield, IL (US)

6,098,834	A *	8/2000	Hatsumoto	B65D 47/249
				220/212.5
D545,129	S *	6/2007	Tien	D7/510
D712,701	S *	9/2014	Boroski	D7/533
8,899,440	B2 *	12/2014	Arnold	B65D 47/265
				220/253
D804,902	S *	12/2017	Weernink	D7/510
D814,240	S *	4/2018	Kabalin	D7/510
D814,870	S *	4/2018	Spivey	D7/533
D844,382	S *	4/2019	Seiders	D7/510

(73) Assignee: **THERMOS L.L.C.**, Schaumburg, IL (US)

* cited by examiner

(*) Notice: This patent is subject to a terminal disclaimer.

Primary Examiner — Susan E Krakower

Assistant Examiner — Andrew Kerr

(**) Term: **15 Years**

(74) *Attorney, Agent, or Firm* — Polsinelli PC

(21) Appl. No.: **29/711,643**

(57) **CLAIM**

The ornamental design for a tumbler, as shown and described.

(22) Filed: **Nov. 1, 2019**

DESCRIPTION

Related U.S. Application Data

(62) Division of application No. 29/660,310, filed on Aug. 20, 2018.

FIG. 1 is a perspective view of a tumbler, showing our new design;

(51) **LOC (12) Cl.** **07-01**

(52) **U.S. Cl.**
USPC **D7/510; D7/533**

FIG. 2 is a front view of the tumbler;

FIG. 3 is a rear view of the tumbler;

FIG. 4 is a left side view of the tumbler;

FIG. 5 is a right side view of the tumbler;

FIG. 6 is a top view of the tumbler; and,

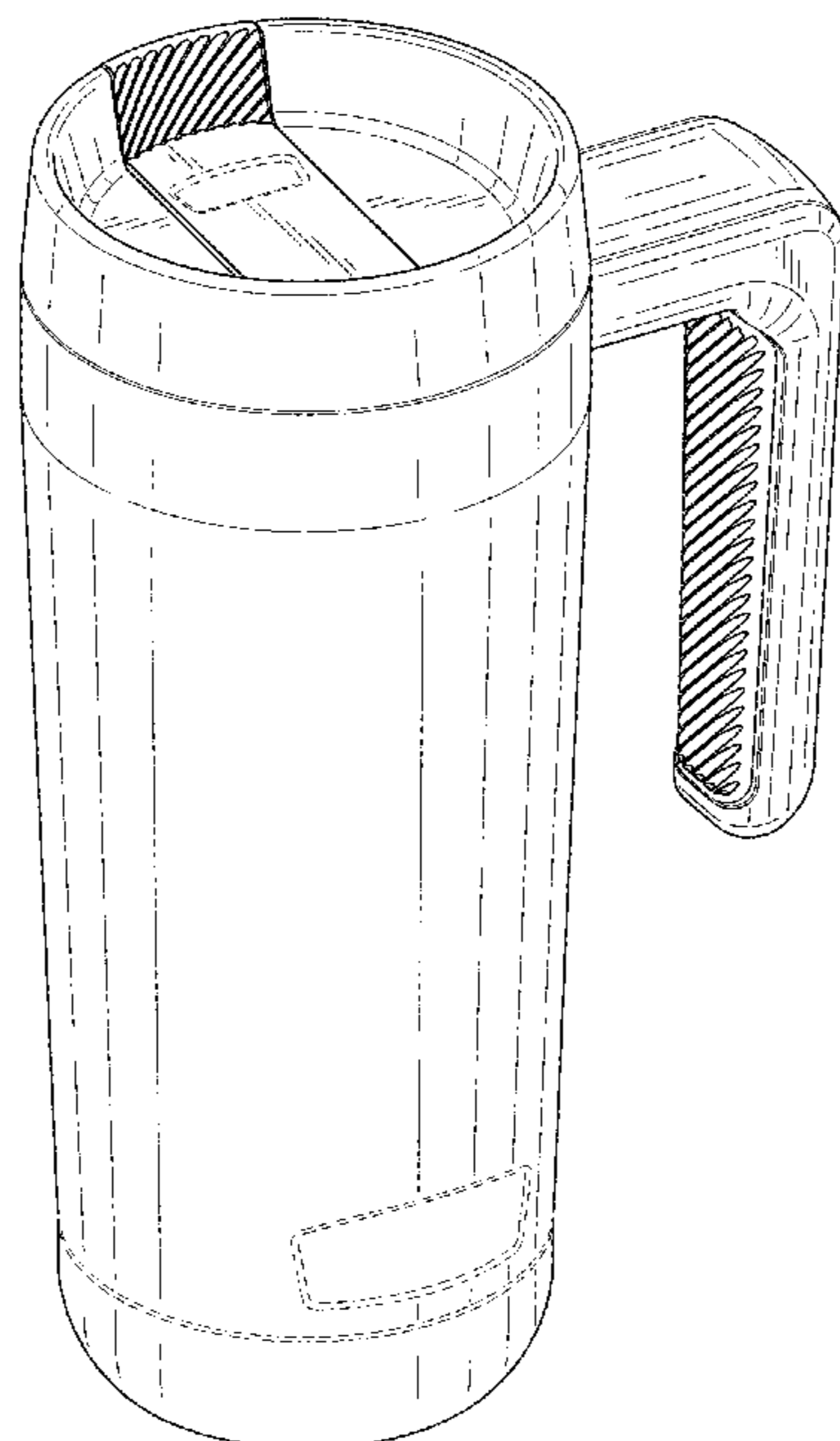
FIG. 7 is a bottom view of the tumbler.

(58) **Field of Classification Search**
USPC D7/393, 396.1, 396.2, 397, 509, 510,
D7/511, 533, 543; D9/763, 767, 772,
D9/516, 530, 531, 537, 549, 564
CPC A45F 3/16; A45F 3/18; A47G 19/2266;
B65D 41/04; B65D 41/0414; B65D
51/18; B65D 1/265

The broken lines showing in the figures are included for the purpose of illustrating portions of the tumbler that form no part of the claimed design. The dash-dot lines showing in the figures are included for defining the bounds of the claimed design that form no part thereof.

See application file for complete search history.

1 Claim, 6 Drawing Sheets



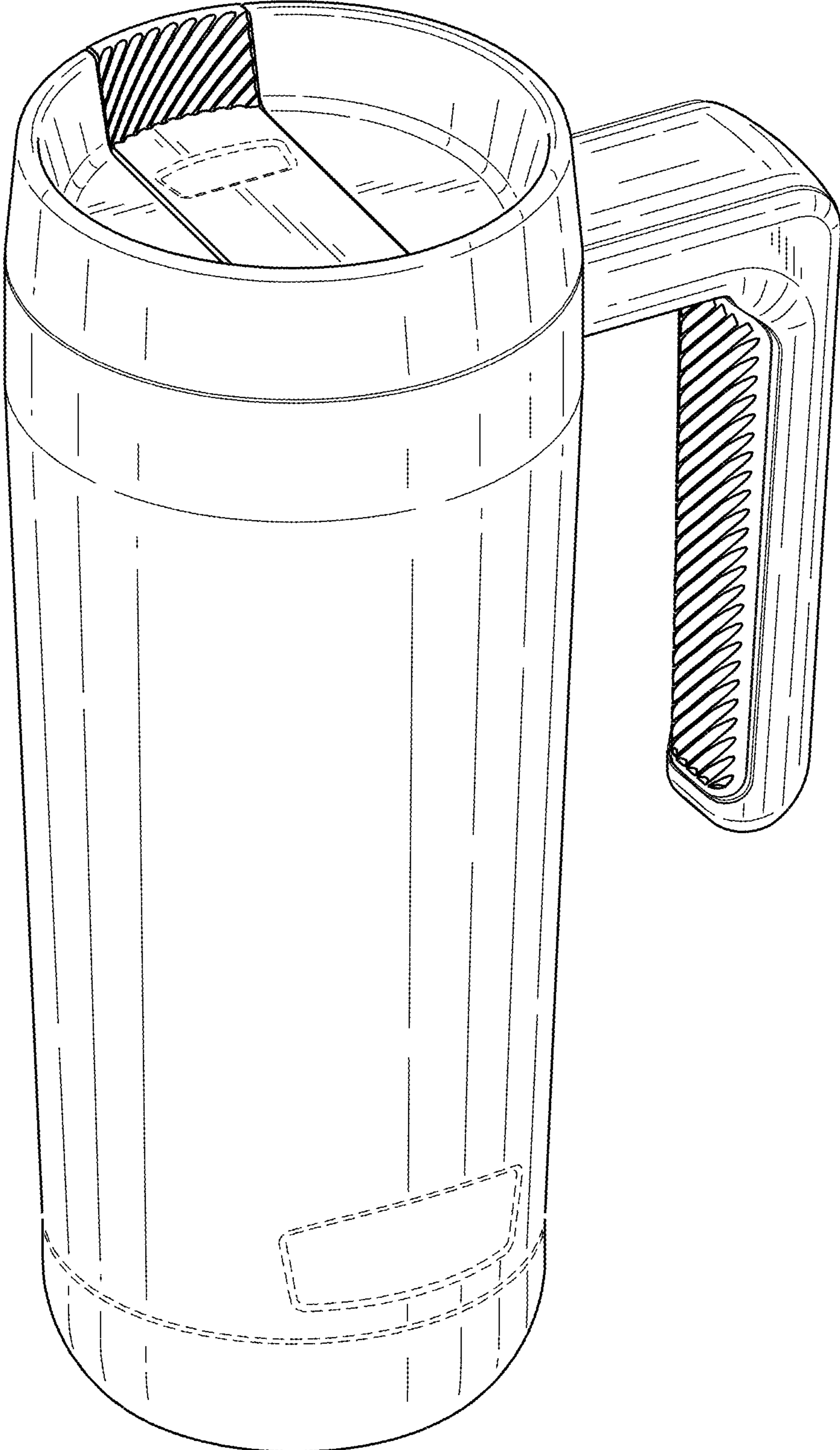


FIG. 1

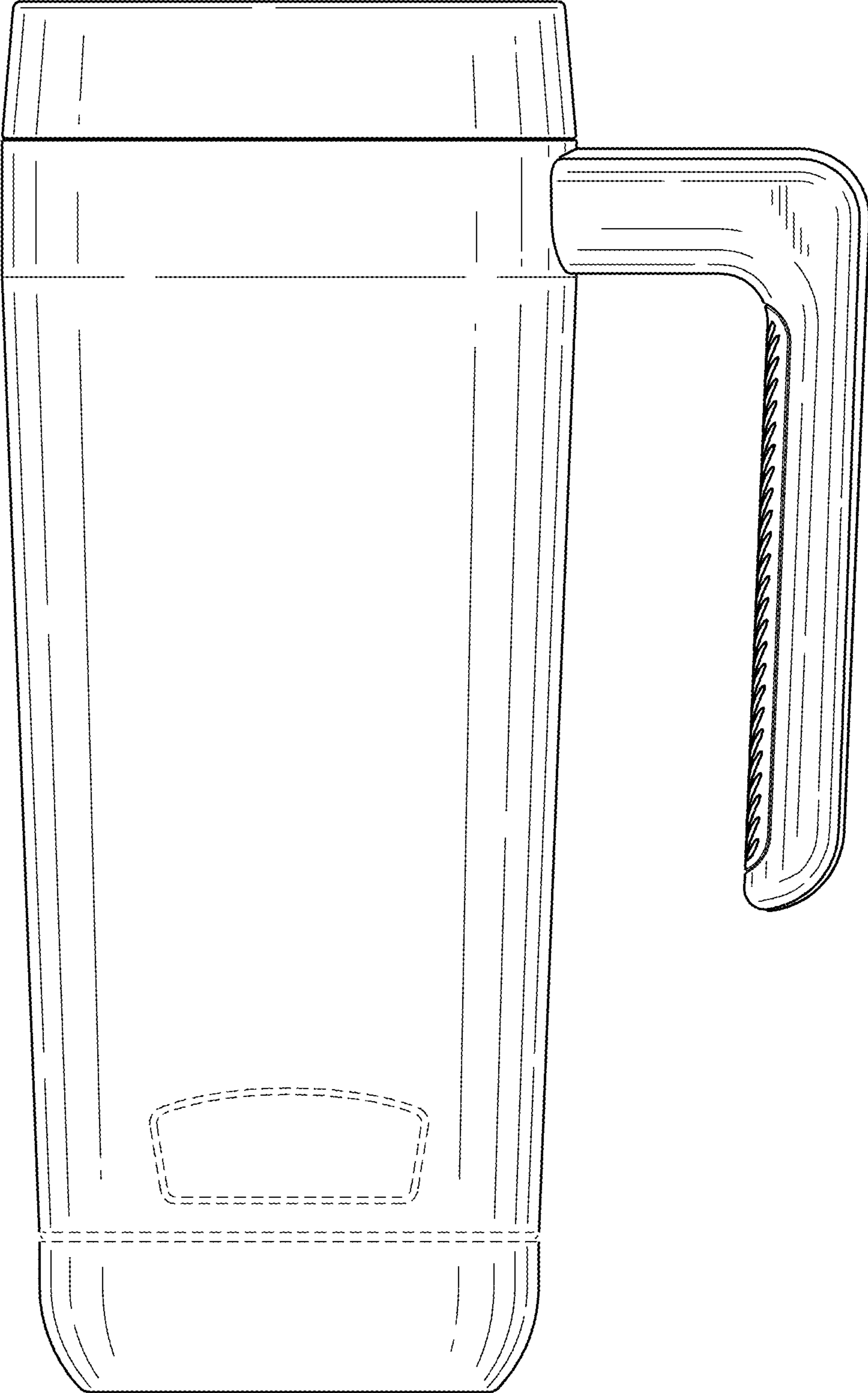


FIG. 2

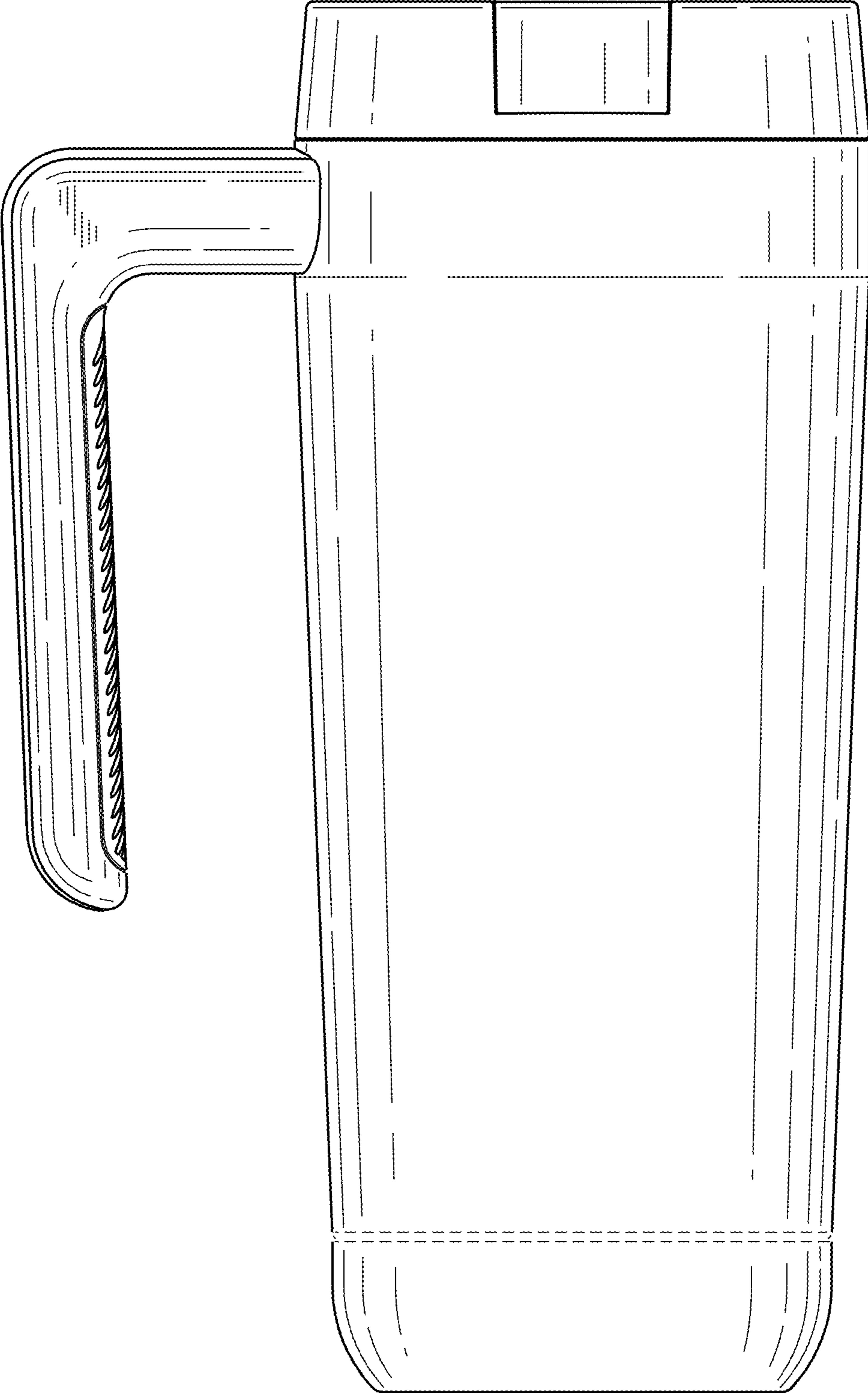


FIG. 3

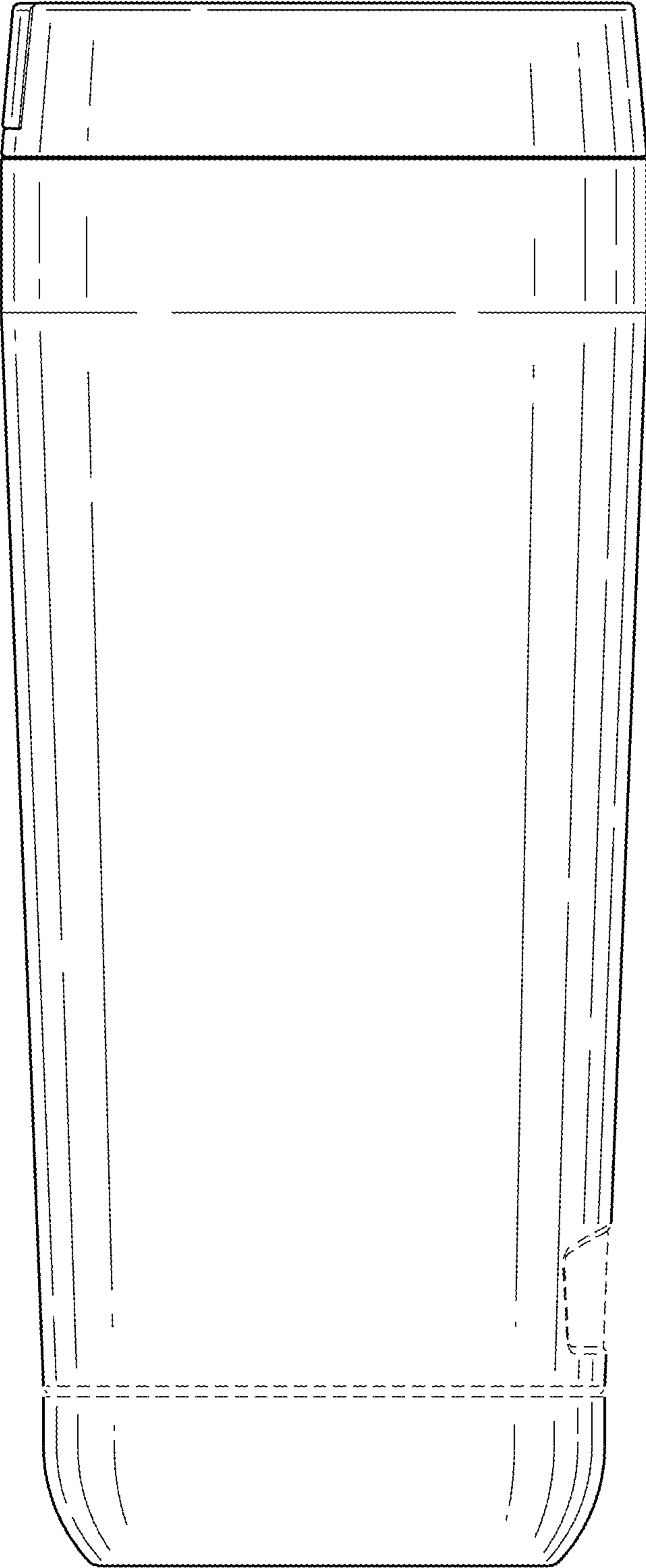


FIG. 4

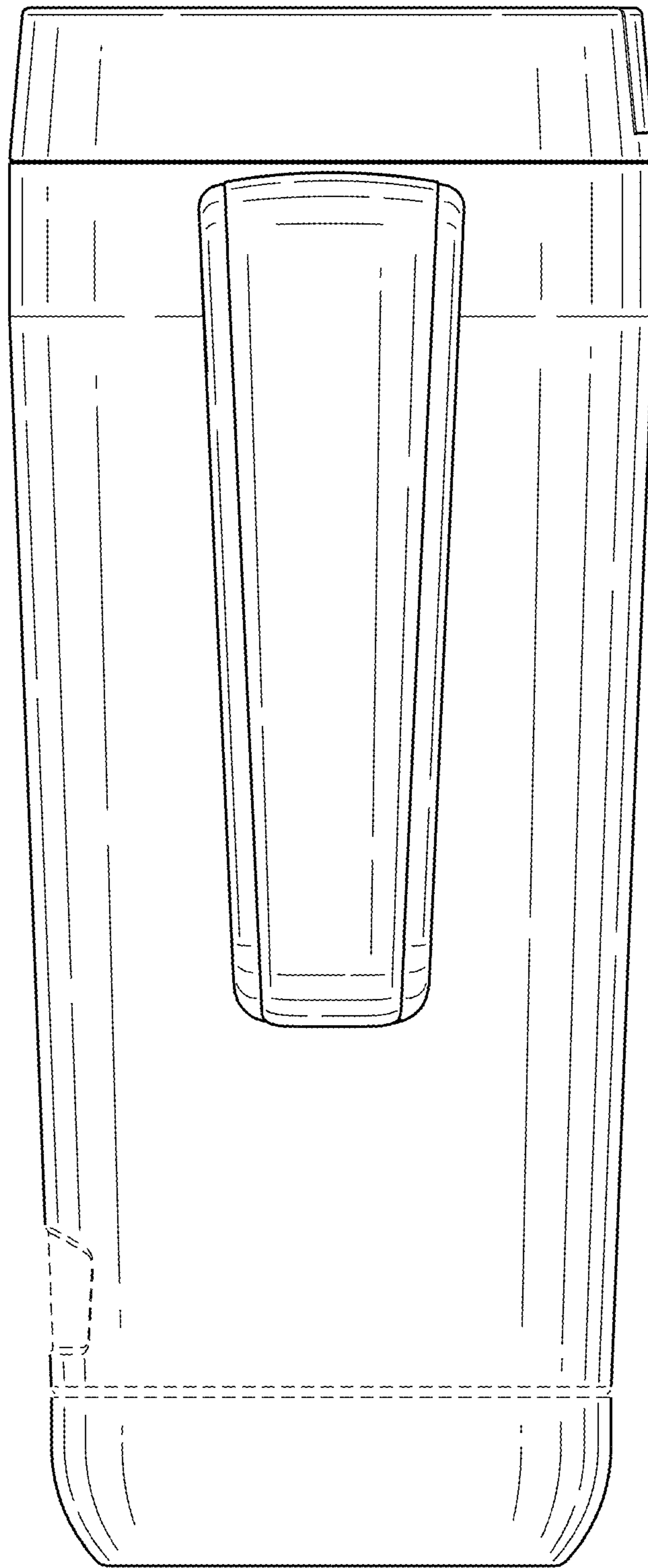


FIG. 5

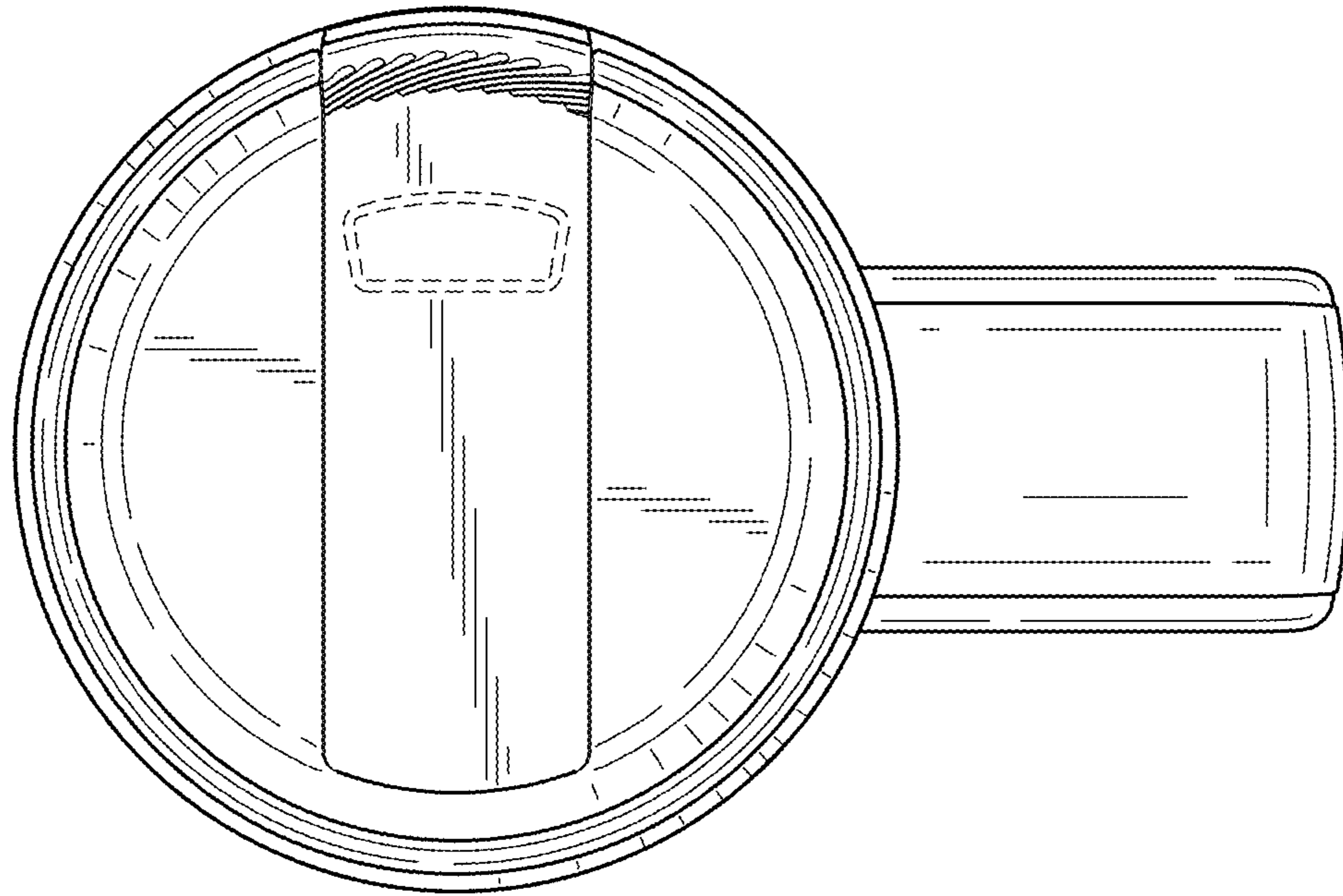


FIG. 6

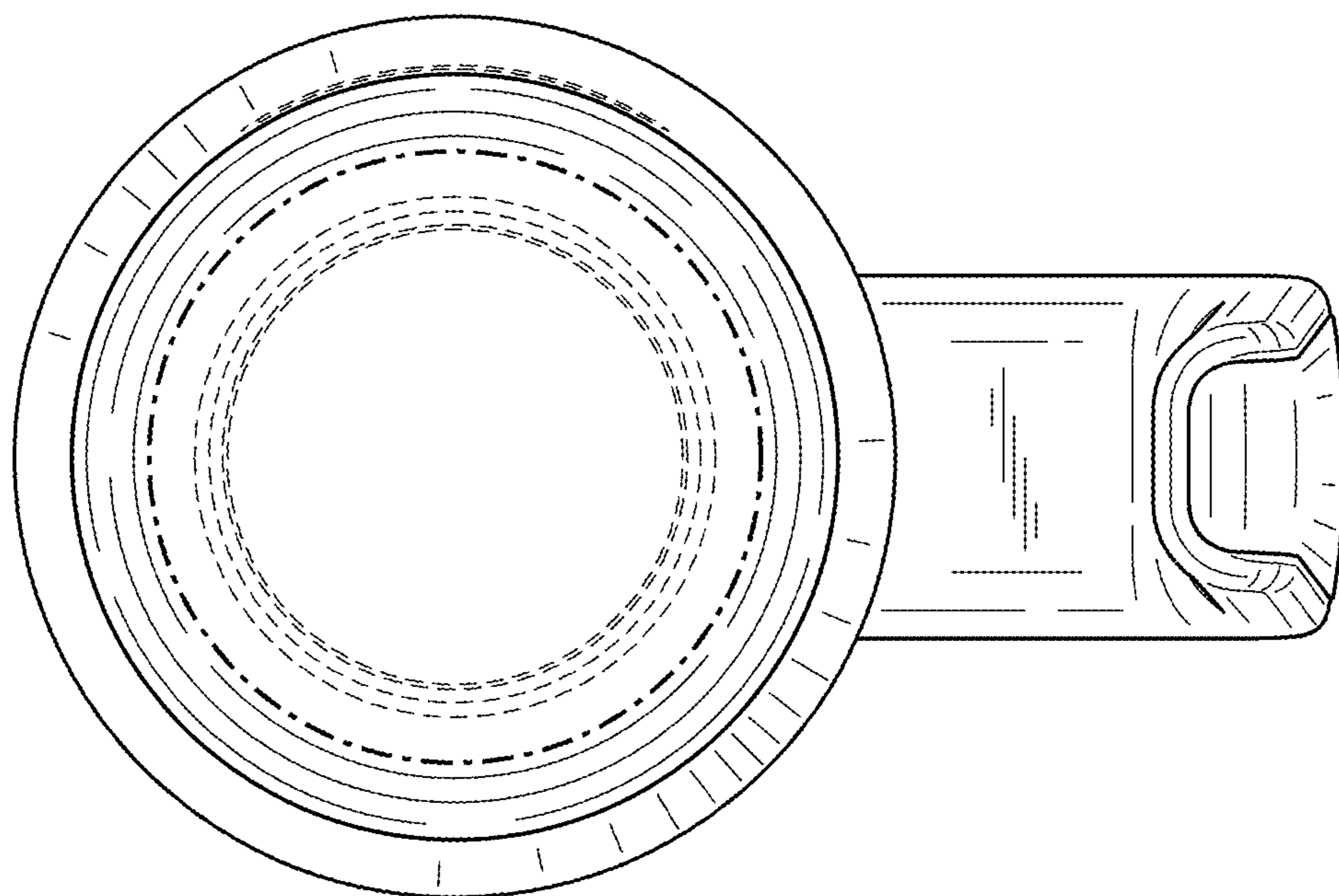


FIG. 7