

US00D901247S

(12) **United States Design Patent** (10) **Patent No.:** **US D901,247 S**
McConnell et al. (45) **Date of Patent:** **** Nov. 10, 2020**

(54) **ENCLOSURE FOR A BLENDER ASSEMBLY**

- (71) Applicant: **WHIRLPOOL CORPORATION**,
Benton Harbor, MI (US)
- (72) Inventors: **John W. McConnell**, St. Joseph, MI
(US); **Brandon T. Mock**, St. Joseph,
MI (US); **Zhaoyi Yin**, Benton Harbor,
MI (US)
- (73) Assignee: **Whirlpool Corporation**, Benton
Harbor, MI (US)
- (**) Term: **15 Years**
- (21) Appl. No.: **29/733,200**
- (22) Filed: **Apr. 30, 2020**

Related U.S. Application Data

- (63) Continuation of application No. 29/660,744, filed on
Aug. 22, 2018, now Pat. No. Des. 883,021.
- (51) **LOC (12) Cl.** **31-00**
- (52) **U.S. Cl.**
USPC **D7/412; D7/376; D7/378**
- (58) **Field of Classification Search**
USPC D7/372, 376–386, 412–413, 602, 629,
D7/665–666, 669, 679, 693–694
CPC A21C 1/02; A21C 1/04; A23N 1/00; A23N
1/02; A47J 43/04; A47J 43/25; A47J
43/27; A47J 43/042; A47J 43/044; A47J
43/046; A47J 43/07; A47J 43/075; A47J
43/0716; A47J 43/0722; A47J 43/0727;
A47J 43/0761; B01F 3/00; B01F 3/0807;
B01F 3/0853; B01F 13/0059; B01F
13/0064; B01F 13/06; B02C 1/08; B02C
2/04; B02C 4/42; B02C 4/142; B02C
4/143; B02C 4/423; B02C 13/1835;
B26D 7/2628; B28C 5/10; B28C 5/12;
B28C 5/14; B28C 5/16

See application file for complete search history.

(56) **References Cited**

U.S. PATENT DOCUMENTS

D295,012 S	4/1988	Gelber	
5,533,797 A *	7/1996	Gelber	A47J 43/07 206/320
5,957,577 A *	9/1999	Dickson	A47J 43/07 366/197
D427,016 S	6/2000	Kindig et al.	

(Continued)

Primary Examiner — Ricky Pham

(74) *Attorney, Agent, or Firm* — Price Heneveld LLP

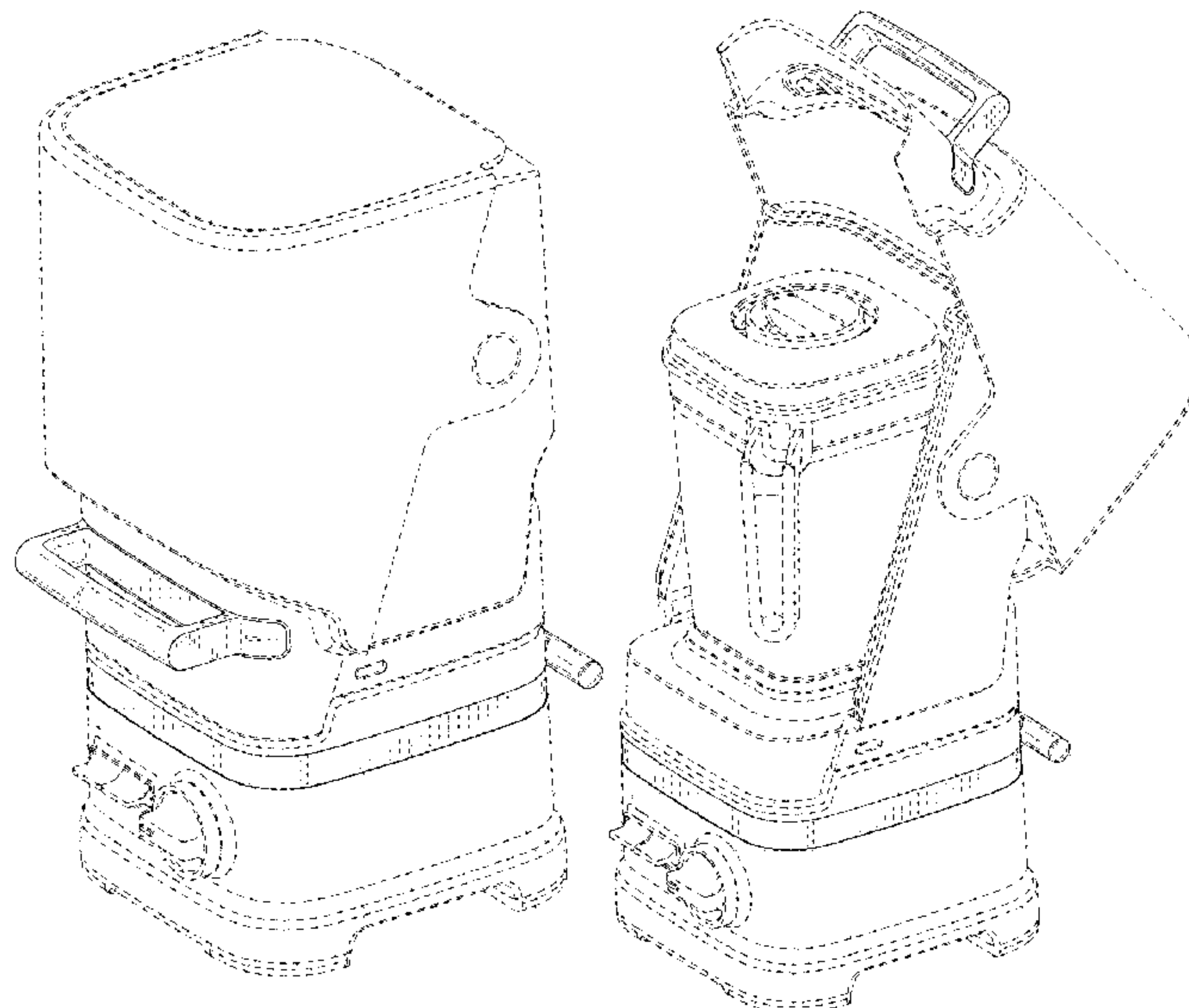
(57) **CLAIM**

We claim the ornamental design for an enclosure for a
blender assembly, as shown and described.

DESCRIPTION

FIG. 1 is a front perspective view of an enclosure for a
blender assembly of the present disclosure;
FIG. 2 is a rear perspective view of the enclosure for a
blender assembly of FIG. 1;
FIG. 3 is a front elevational view of the enclosure for a
blender assembly of FIG. 1;
FIG. 4 is a rear elevational view of the enclosure for a
blender assembly of FIG. 1;
FIG. 5 is a first side elevational view of the enclosure for a
blender assembly of FIG. 1;
FIG. 6 is a second side elevational view of the enclosure for
a blender assembly of FIG. 1;
FIG. 7 is a top plan view of the enclosure for a blender
assembly of FIG. 1;
FIG. 8 is a bottom plan view of the enclosure for a blender
assembly of FIG. 1; and,
FIG. 9 is a front top perspective view of an enclosure for a
blender assembly, where the enclosure portion has been
moved to a raised position.
The broken lines depict portions of the article that form no
part of the claimed design.

1 Claim, 9 Drawing Sheets



(56)

References Cited

U.S. PATENT DOCUMENTS

D432,864	S	10/2000	Kindig et al.	
D466,761	S	12/2002	Baerenrodt et al.	
D526,845	S *	8/2006	Katz	D7/412
D528,364	S	9/2006	Kolar et al.	
D557,976	S	12/2007	Olson et al.	
7,520,663	B1	4/2009	Kolar et al.	
D592,903	S	5/2009	Olson et al.	
D594,697	S *	6/2009	Lavy	D7/386
D595,087	S	6/2009	Metaxatos et al.	
D637,862	S	5/2011	Fouquet	
8,287,180	B2	10/2012	Kolar et al.	
D770,225	S *	11/2016	McConnell	D7/376
D786,613	S *	5/2017	McConnell	D7/376
D787,882	S	5/2017	McConnell et al.	
D838,538	S	1/2019	Carlson	
D858,195	S	9/2019	Lee	
D883,021	S *	5/2020	McConnell	D7/378
2003/0034200	A1 *	2/2003	Bohannon	A47J 43/0716 181/202
2005/0152215	A1 *	7/2005	Stuart	A47J 43/0716 366/205
2010/0014380	A1 *	1/2010	Kolar	A47J 43/0716 366/347
2010/0038462	A1	2/2010	Kolar et al.	
2014/0217211	A1 *	8/2014	Sanford	A47J 43/0761 241/37.5
2017/0224169	A1	8/2017	Kolar	
2018/0310769	A1 *	11/2018	Kim	A47J 43/0716
2018/0326378	A1 *	11/2018	Moon	B01F 13/06

* cited by examiner

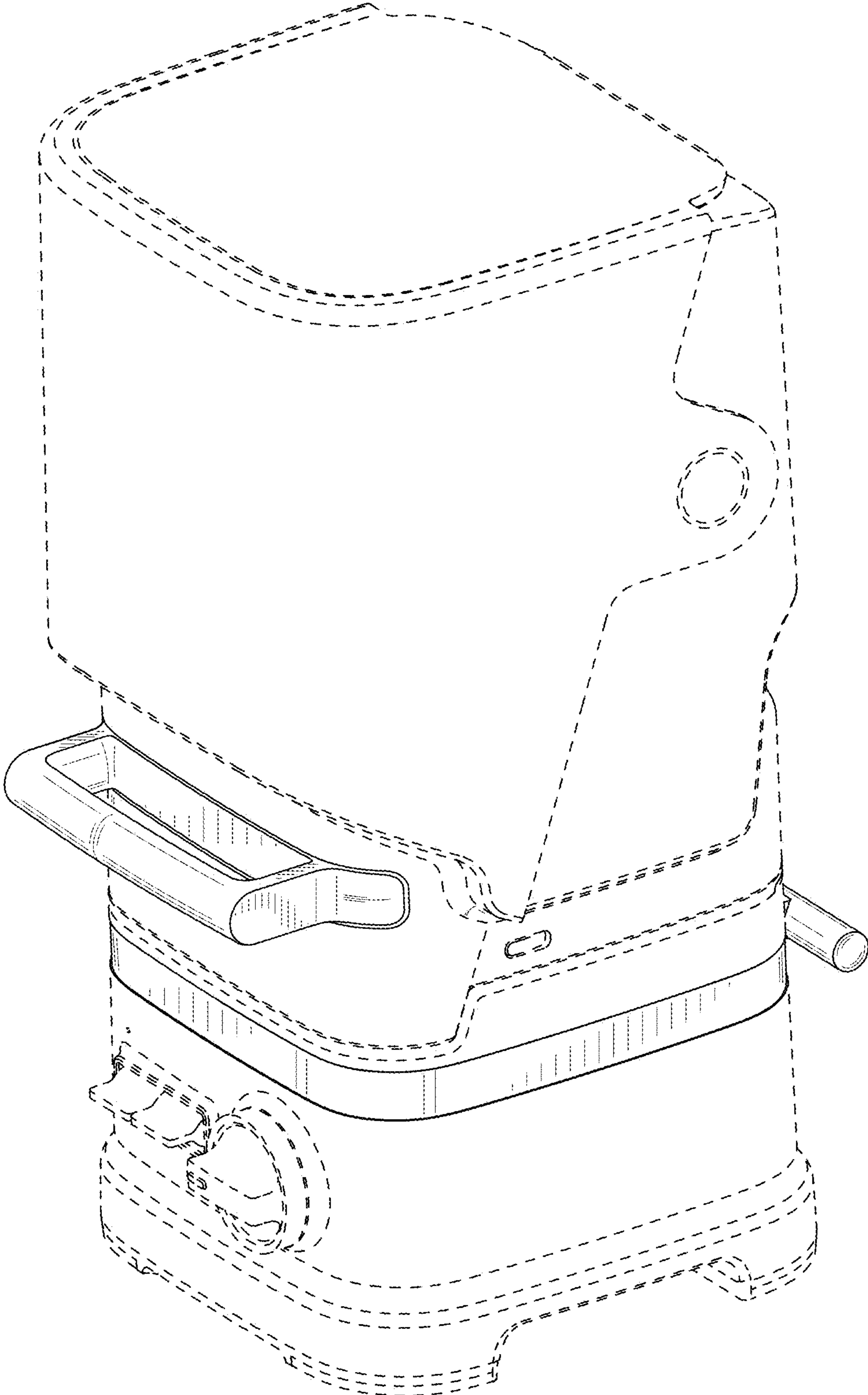


FIG. 1

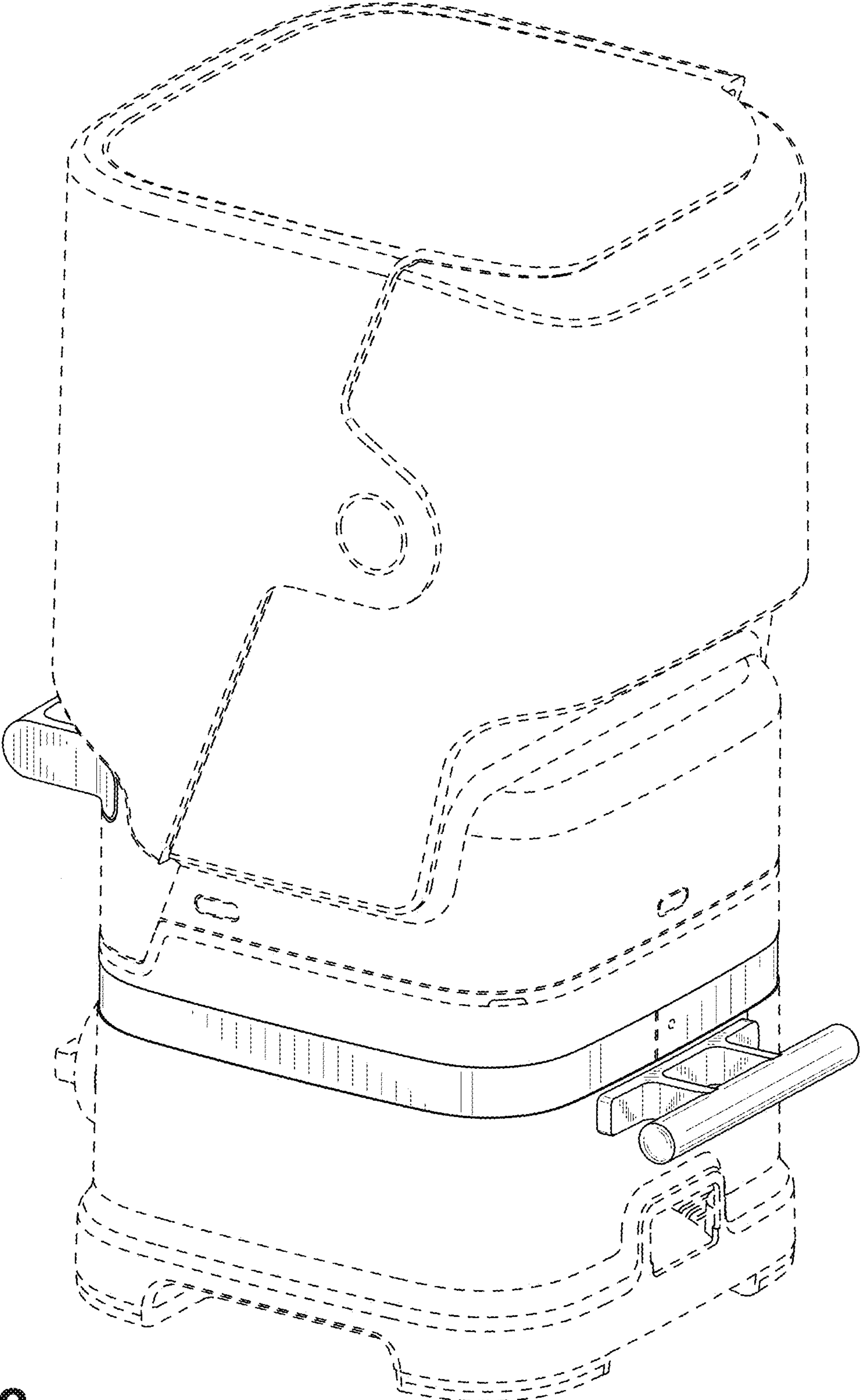


FIG. 2

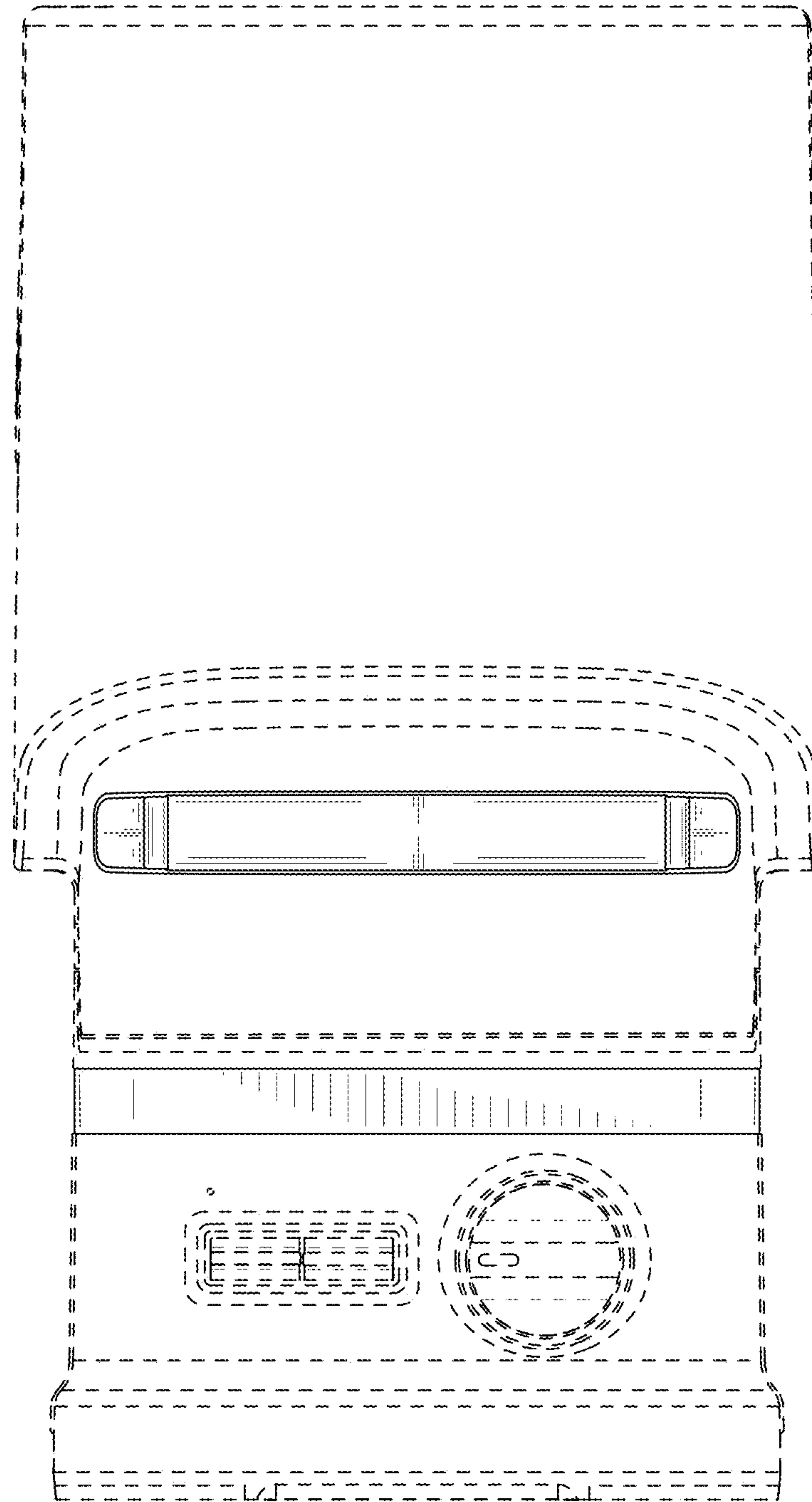


FIG. 3

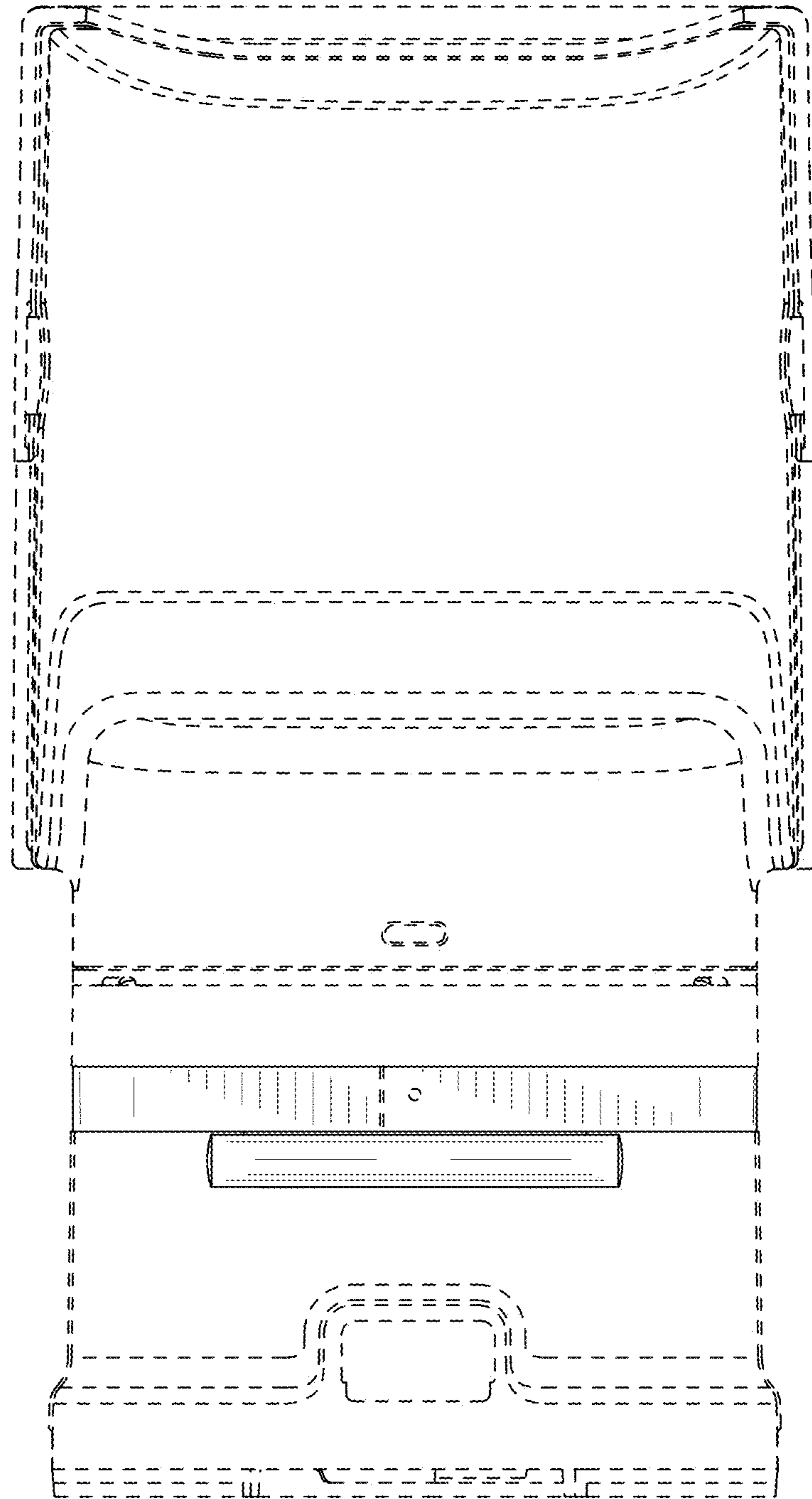


FIG. 4

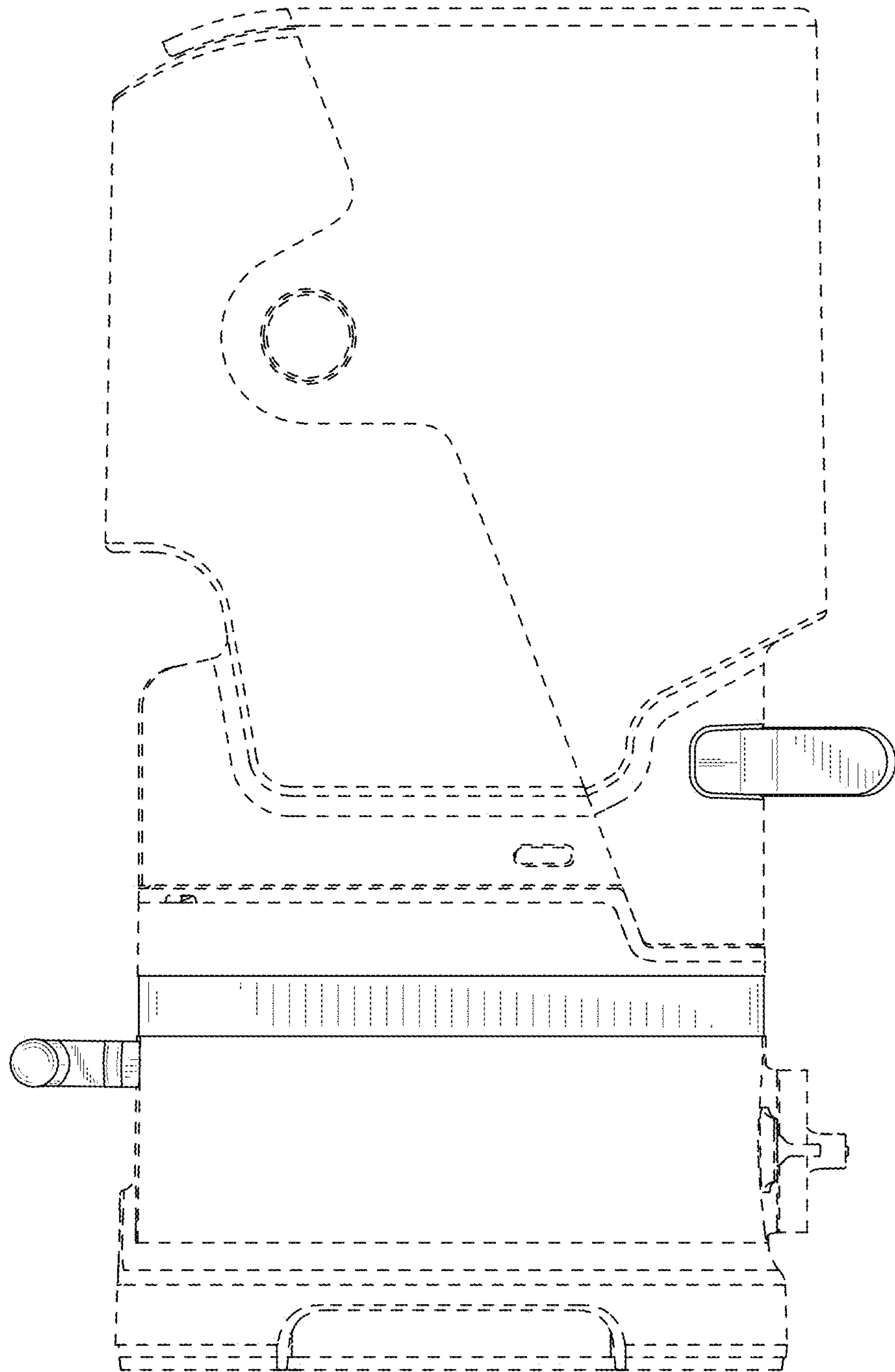


FIG. 5

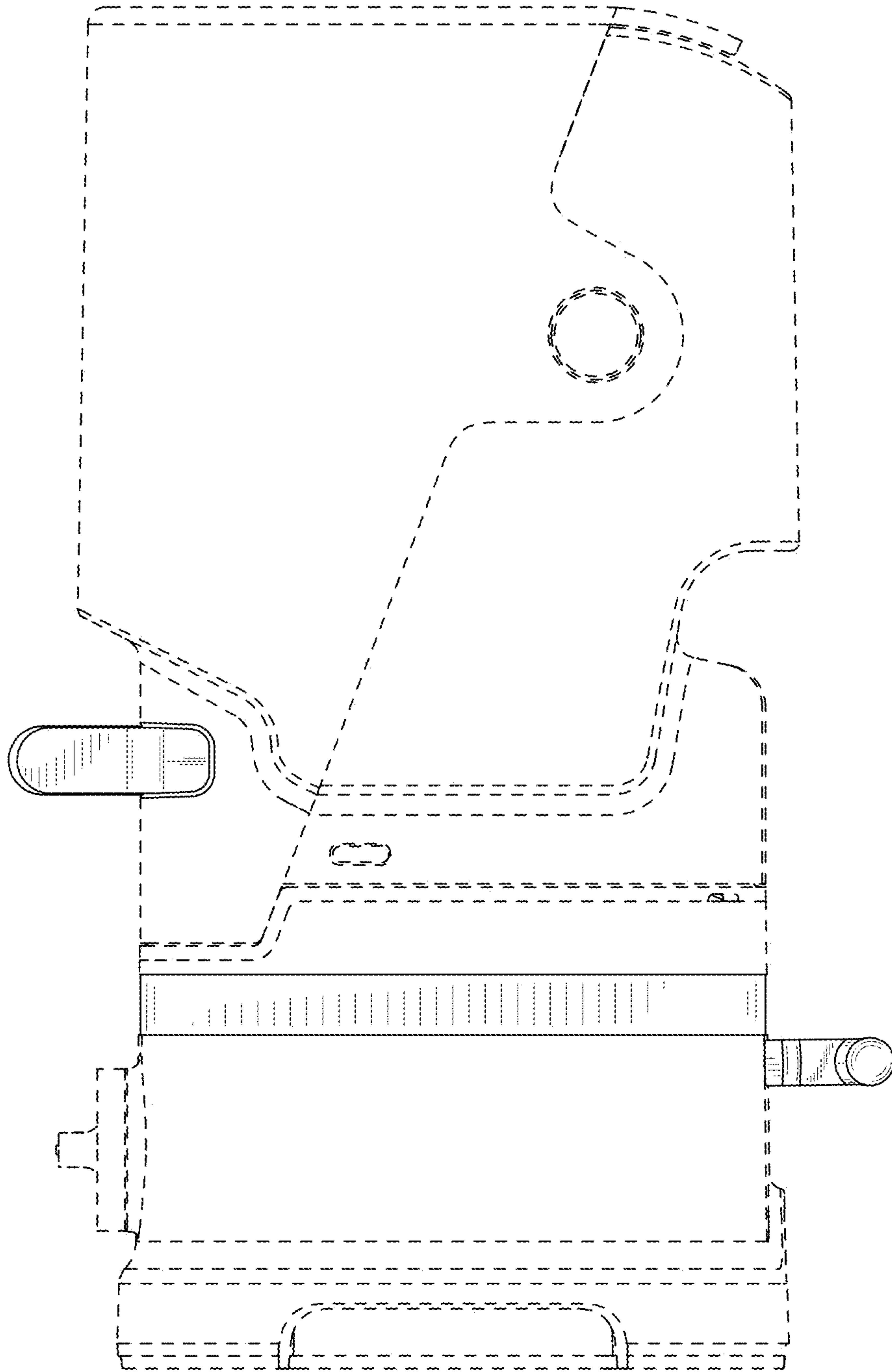


FIG. 6

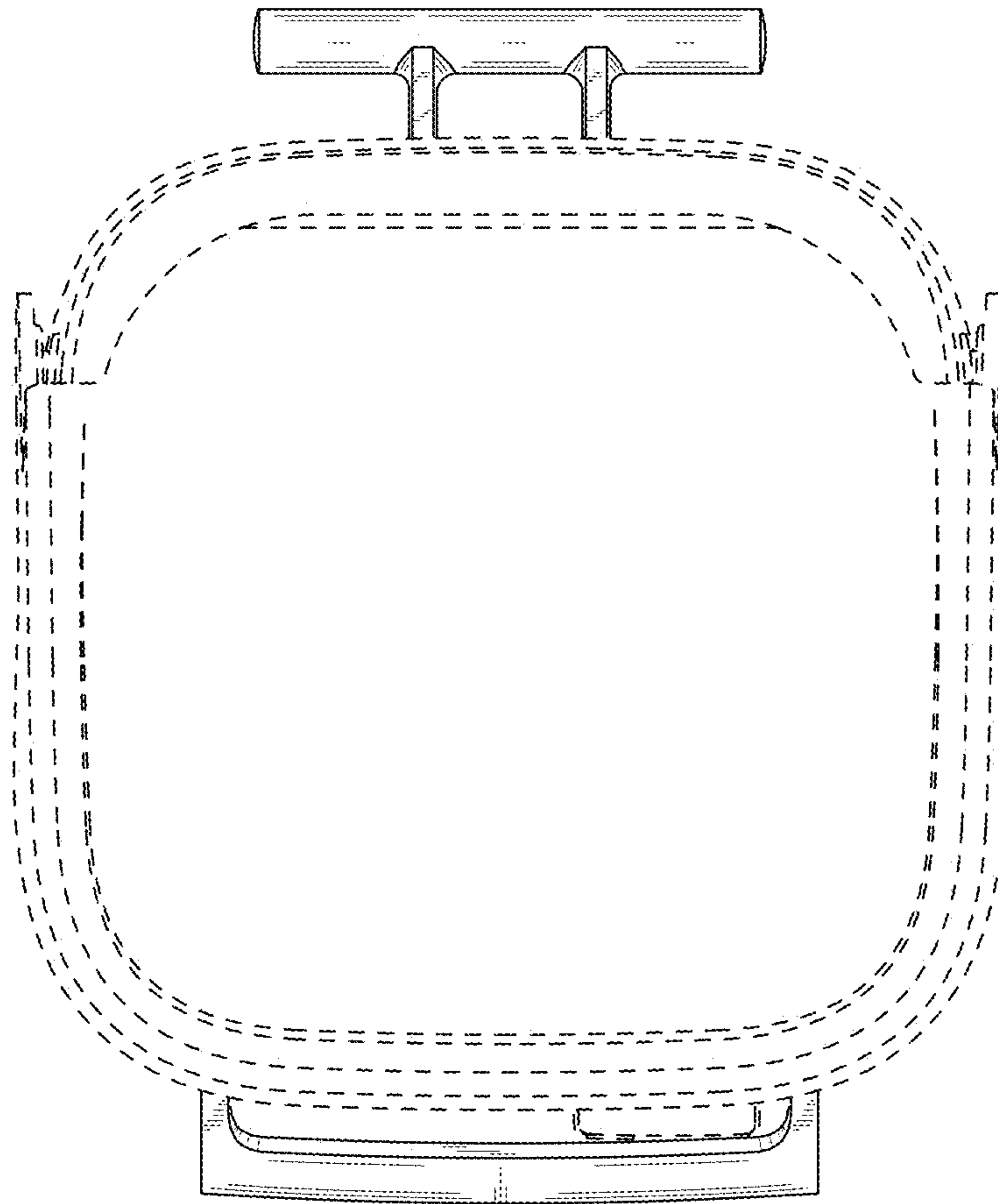


FIG. 7

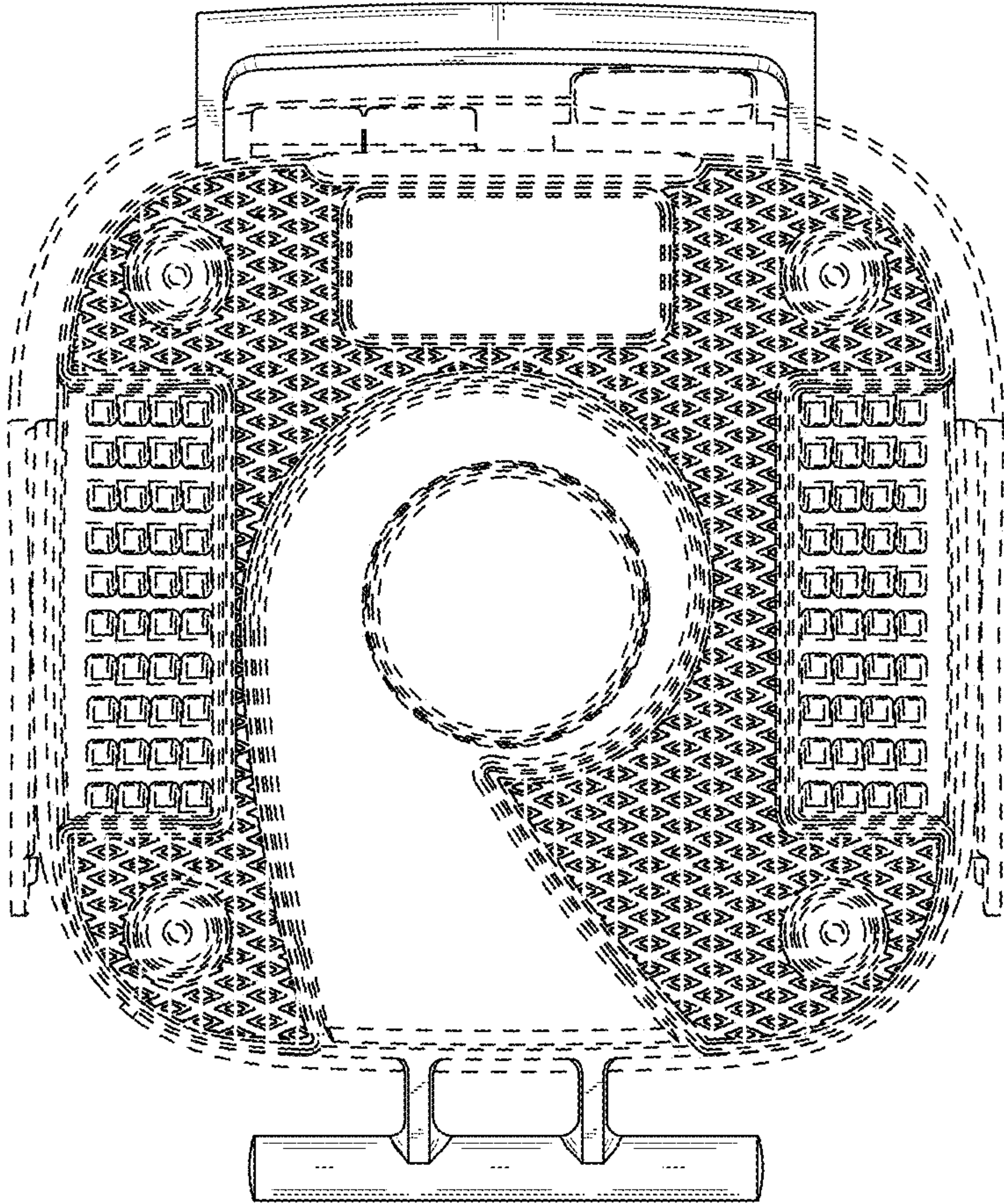


FIG. 8

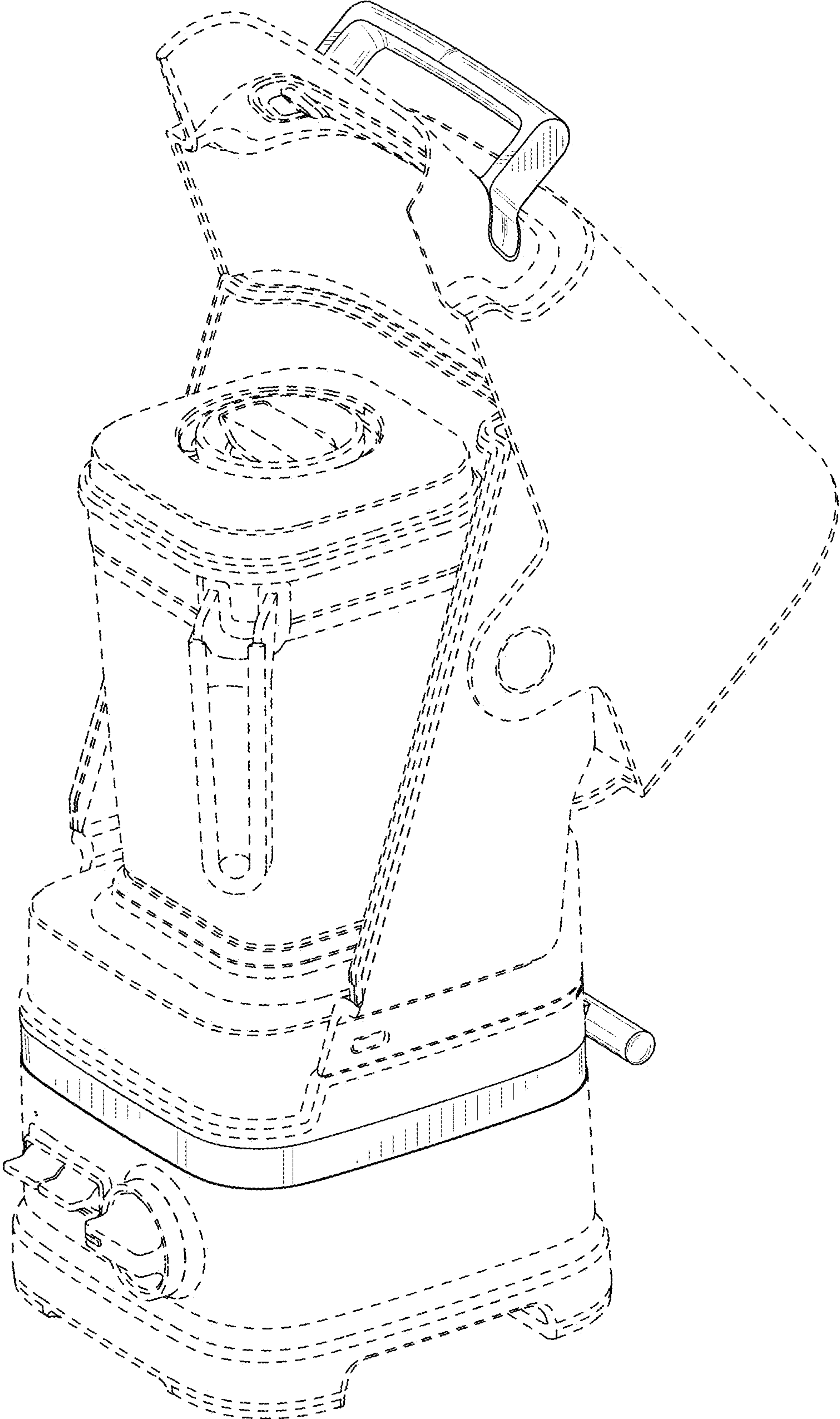


FIG. 9