



US00D901246S

(12) **United States Design Patent** (10) **Patent No.:** **US D901,246 S**
Kemker et al. (45) **Date of Patent:** **** Nov. 10, 2020**

(54) **ACCESSORY FOR MACHINERY AND APPARATUS FOR THE PREPARING OF FOOD AND DRINK**

(71) Applicant: **Vorwerk & Co. Interholding GmbH**, Wuppertal (DE)

(72) Inventors: **Uwe Kemker**, Wuppertal (DE); **Felix Thies**, Wuppertal (DE)

(73) Assignee: **Vorwerk & Co. Interholding GmbH**, Wuppertal (DE)

(**) Term: **15 Years**

(21) Appl. No.: **29/664,481**

(22) Filed: **Sep. 25, 2018**

(30) **Foreign Application Priority Data**

Mar. 28, 2018 (EM) 005134830-0001

(51) **LOC (12) Cl.** **31-00**

(52) **U.S. Cl.**
USPC **D7/412**

(58) **Field of Classification Search**

USPC D7/360, 372, 376-386, 391, 409, D7/412-413, 602, 629, 665-667, 669, D7/679, 693-694; D15/126
 CPC A21C 1/02; A21C 1/04; A23N 1/00; A23N 1/02; A47J 43/04; A47J 43/25; A47J 43/27; A47J 43/042; A47J 43/044; A47J 43/046; A47J 43/075; A47J 43/0722; A47J 43/0727; B01F 3/00; B01F 3/0807; B01F 3/0853; B01F 13/0059; B01F 13/0064; B02C 1/08; B02C 2/04; B02C 4/42; B02C 4/142; B02C 4/143; B02C 4/423; B02C 13/1835; B02C 18/30; B02C 18/36; B02C 18/302; B28C 5/10; B28C 5/12; B28C 5/14; B28C 5/16; B65D 51/24

See application file for complete search history.

(56) **References Cited**

U.S. PATENT DOCUMENTS

3,417,800 A * 12/1968 Tipton B02C 18/36
241/82.5
 D293,074 S 12/1987 Inoue
 D361,697 S * 8/1995 McNaughton 100/110
 5,960,709 A 10/1999 Yip
 D443,281 S 6/2001 Sodergard
 6,568,383 B2 5/2003 Spangenberg
 D483,631 S 12/2003 Koike et al.

(Continued)

FOREIGN PATENT DOCUMENTS

KR 3008198920000 10/2015

OTHER PUBLICATIONS

Notice of Allowance and Search Report, Taiwan Design Application No. 107305763, May 9, 2019, Intellectual Property Office Ministry of Economic Affairs, Taiwan, 3 pages, with English translation of Notice of Allowance.

Primary Examiner — Ricky Pham

(74) *Attorney, Agent, or Firm* — Stetina Brunda Garred and Brucker

(57) **CLAIM**

The ornamental design for accessory for machinery and apparatus for the preparing of food and drink, as shown and described.

DESCRIPTION

FIG. 1 is a top perspective view of the accessory for machinery and apparatus for the preparing of food and drink showing our new design;
 FIG. 2 is a front view thereof;
 FIG. 3 is a back view of thereof;
 FIG. 4 is a right side view thereof;
 FIG. 5 is a left side view thereof;
 FIG. 6 is a top view thereof; and,

(Continued)

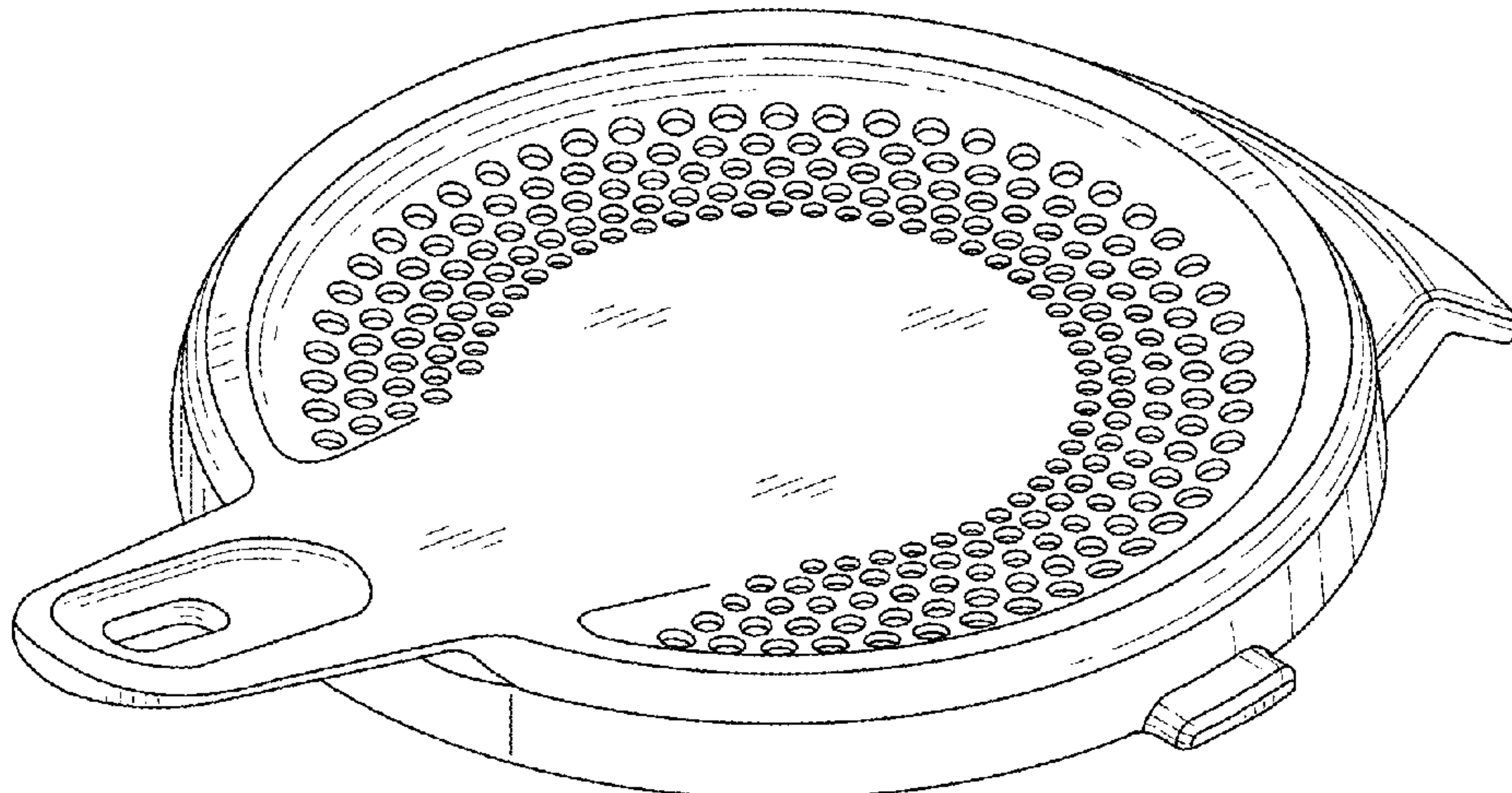


FIG. 7 is a bottom view thereof.

1 Claim, 3 Drawing Sheets

(56)

References Cited

U.S. PATENT DOCUMENTS

D497,524	S *	10/2004	Marsden	D7/667
D556,503	S *	12/2007	Holcomb	D7/360
D577,807	S	9/2008	Kenyon et al.	
D582,205	S *	12/2008	Gerlach	D7/391
7,540,440	B2 *	6/2009	Lesar	B02C 18/302 241/296
D630,721	S	1/2011	Kenyon et al.	
8,033,420	B2 *	10/2011	Roseblade	B65D 51/24 220/731
D657,623	S	4/2012	Kern et al.	
D678,724	S *	3/2013	Sayers	D7/409
D678,725	S	3/2013	Sayers et al.	
D699,835	S	2/2014	Kenyon et al.	
D701,300	S	3/2014	Tanabe et al.	
D737,097	S	8/2015	Chan	
D741,384	S	10/2015	Norbygaard	
D746,344	S *	12/2015	Truty	D15/126
D763,633	S *	8/2016	Hume	D7/665
D822,437	S *	7/2018	Hosey	A47J 43/10 D7/412
D824,960	S	8/2018	Geldenhuis et al.	
2001/0052558	A1 *	12/2001	Yunker	B02C 18/302 241/82.1
2003/0096566	A1	5/2003	Fritz et al.	
2013/0099036	A1 *	4/2013	Wolff	B02C 18/30 241/82.5

* cited by examiner

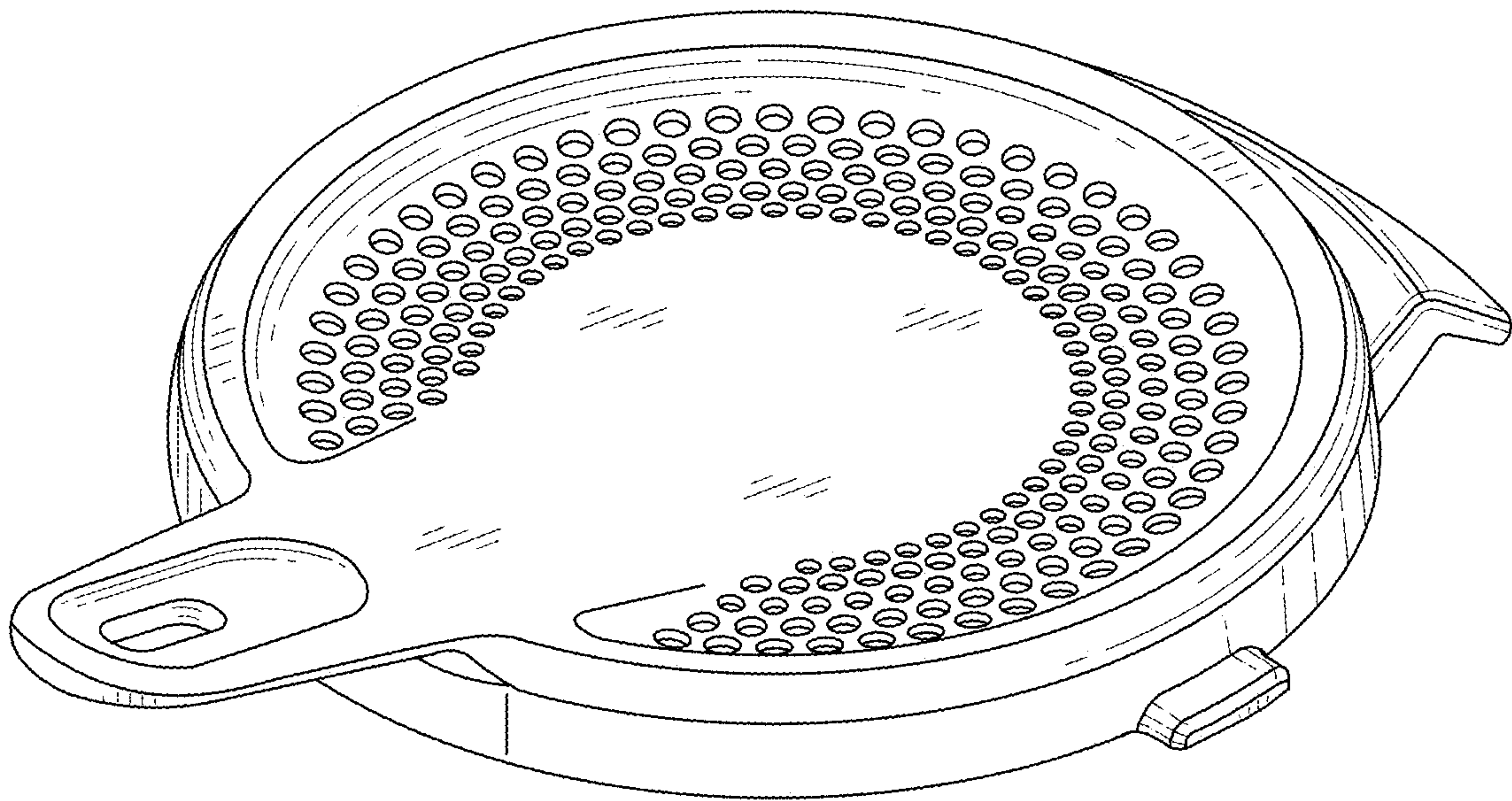


FIG. 1

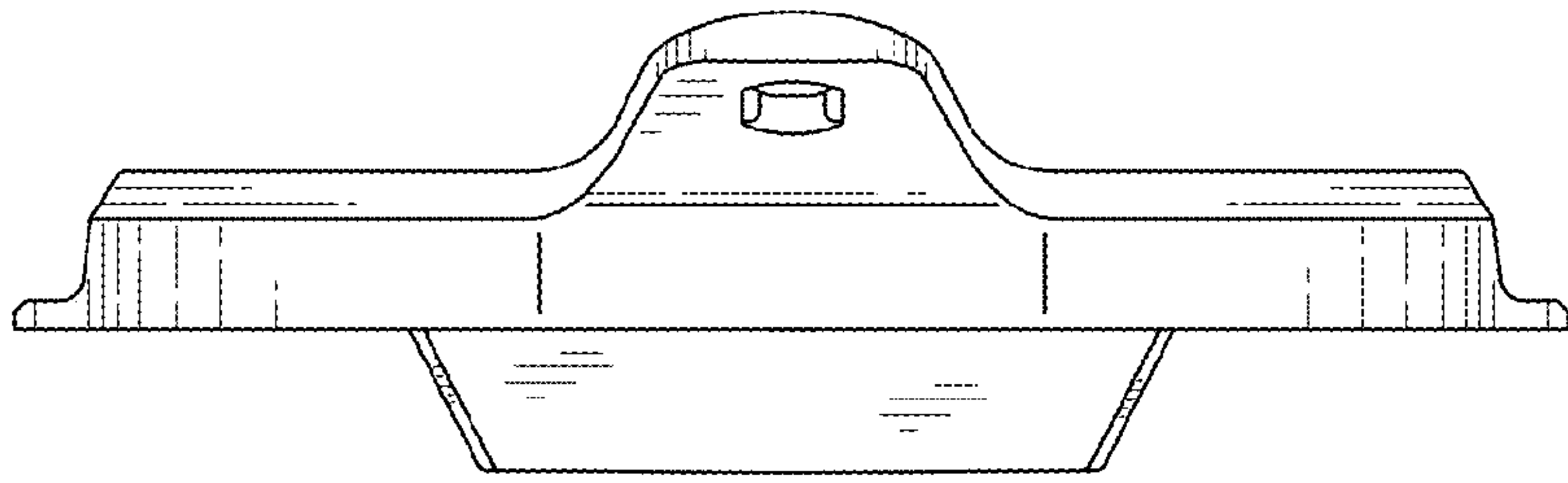


FIG. 2

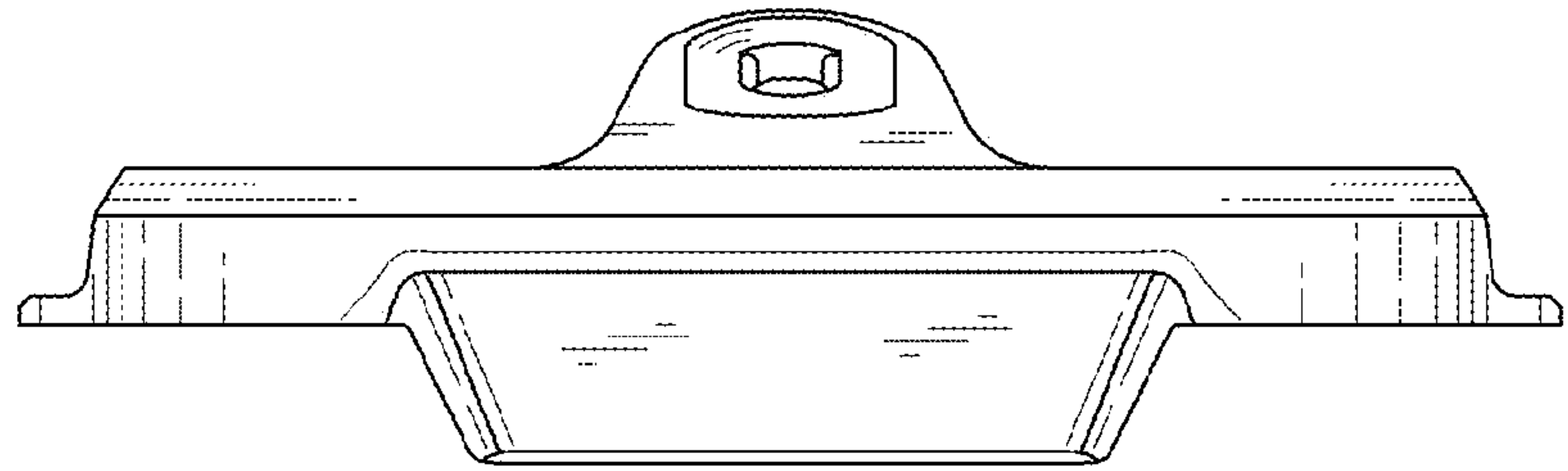


FIG. 3

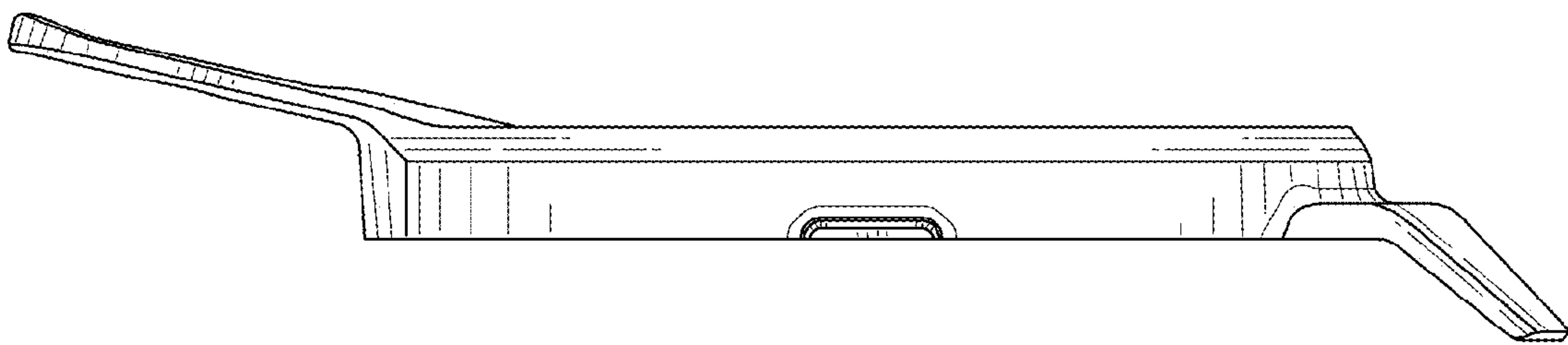


FIG. 4

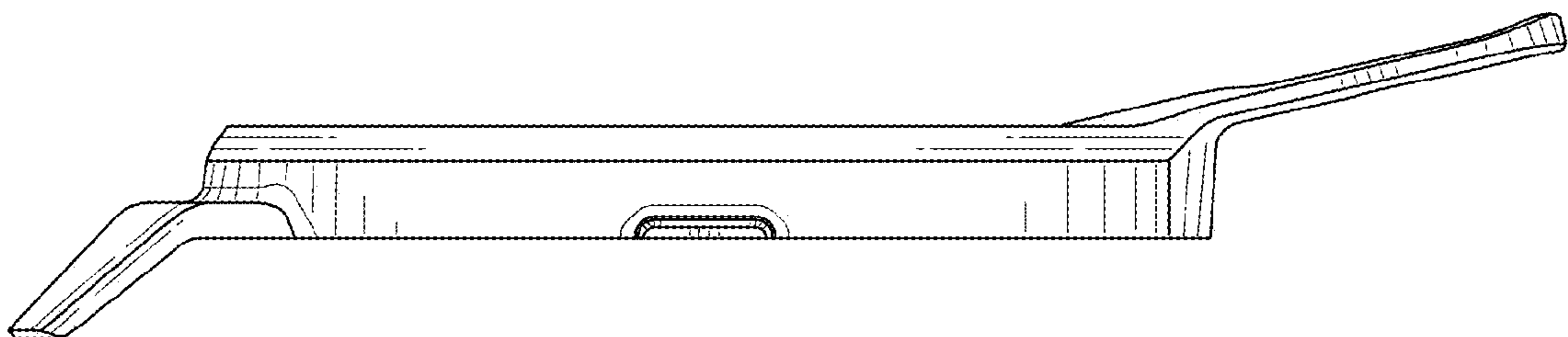


FIG. 5

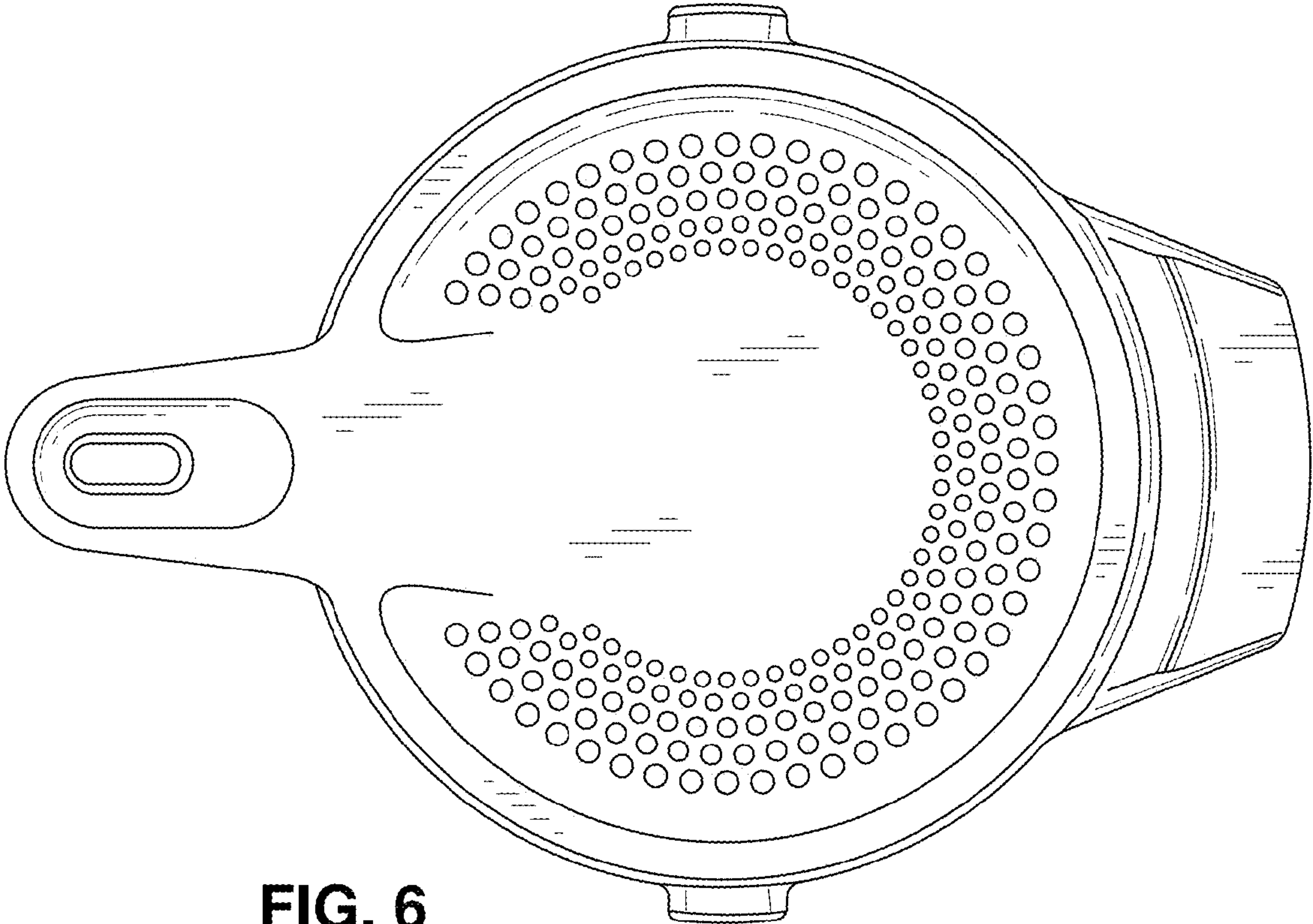


FIG. 6

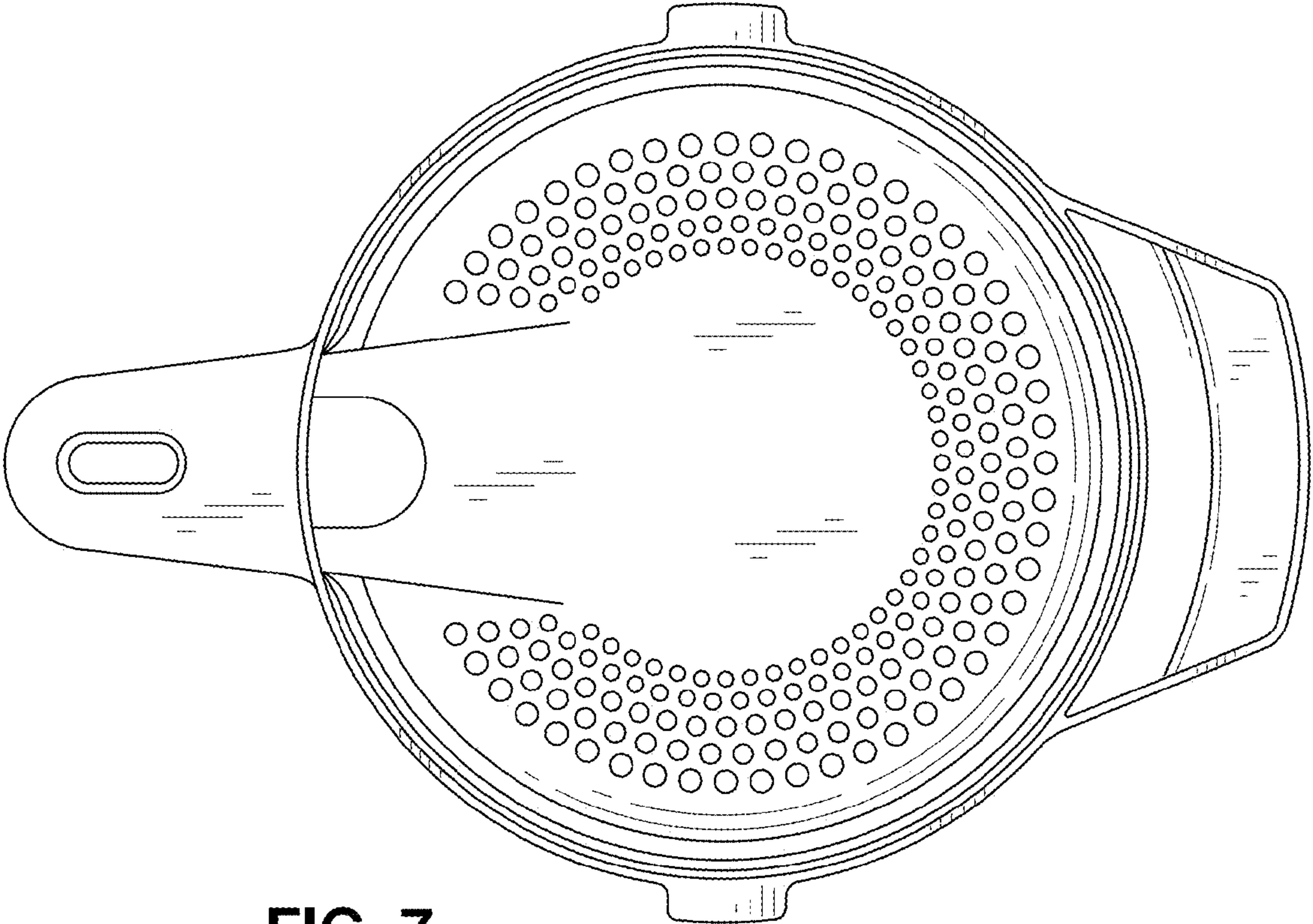


FIG. 7