



US00D901244S

(12) **United States Design Patent** (10) **Patent No.:** **US D901,244 S**  
**Baker et al.** (45) **Date of Patent:** **\*\* Nov. 10, 2020**

(54) **HOPPER WITH WINDOW**

(71) Applicant: **GMG Products LLC**, Lakeside, OR (US)

(72) Inventors: **David W. Baker**, Lakeside, OR (US); **Wang Ping**, Wuhan (CN)

(73) Assignee: **GMG Products LLC**, Lakeside, OR (US)

(\*\*) Term: **15 Years**

(21) Appl. No.: **29/695,194**

(22) Filed: **Jun. 17, 2019**

(51) **LOC (12) Cl.** ..... **07-99**

(52) **U.S. Cl.**  
USPC ..... **D7/402**

(58) **Field of Classification Search**  
USPC ..... D7/323, 331, 332, 334, 338, 339, 340,  
D7/347, 348, 350.1, 350.3, 351, 362, 363,  
D7/364, 365, 402, 405, 406, 407, 409;  
D9/414, 456, 699.1, 699.2, 699.3, 699.4,  
D9/699.5; D23/314, 322, 323, 329, 330,  
D23/335, 341; D21/523, 524, 525, 561;  
D6/672, 675, 702, 703, 559, 663, 705.5;  
D15/122, 138, 141, 144, 199; D99/28,  
D99/43  
CPC . H05B 6/12; H05B 6/64; H05B 6/806; H05B  
6/6426; H05B 6/6412; A21B 1/00; A21B  
1/52; A47J 37/00; A47J 37/36; A47J  
37/0763; F24C 15/08; F24C 15/2042;  
F27D

(Continued)

(56) **References Cited**

**U.S. PATENT DOCUMENTS**

D260,104 S \* 8/1981 Klawitter ..... D21/524  
D261,471 S \* 10/1981 Koziol ..... 99/421 R

(Continued)

**OTHER PUBLICATIONS**

Jim Bowie Grill: Announced [2017, Online]. Site Visited [Feb. 25, 2020]. Available from Internet URL: <https://greenmountaingrills.com/products/grills/prime-wifi/jim-bowie-wifi-ss-prime/>.\*

*Primary Examiner* — Catherine S Posthauer  
(74) *Attorney, Agent, or Firm* — Quarles & Brady LLP

(57) **CLAIM**

The ornamental design for a hopper with window, as shown and described.

**DESCRIPTION**

FIG. 1 is a first perspective view of a hopper with window, showing our new design, shown in a position of use with an exemplary pellet grill;

FIG. 2 is a second perspective view thereof, shown with the exemplary pellet grill removed to show aspects of the design not visible when combined;

FIG. 3 is a first elevational view thereof;

FIG. 4 is a second elevational view thereof;

FIG. 5 is a third elevational view thereof;

FIG. 6 is a fourth elevational view thereof;

FIG. 7 is a top plan view thereof;

FIG. 8 is a bottom plan view thereof;

FIG. 9 is a first perspective view of a hopper with window, showing our new design, shown in a position of use with an exemplary pellet grill;

FIG. 10 is a second perspective view thereof, shown with the exemplary pellet grill removed to show aspects of the design not visible when combined;

FIG. 11 is a first elevational view thereof;

FIG. 12 is a second elevational view thereof;

FIG. 13 is a third elevational view thereof;

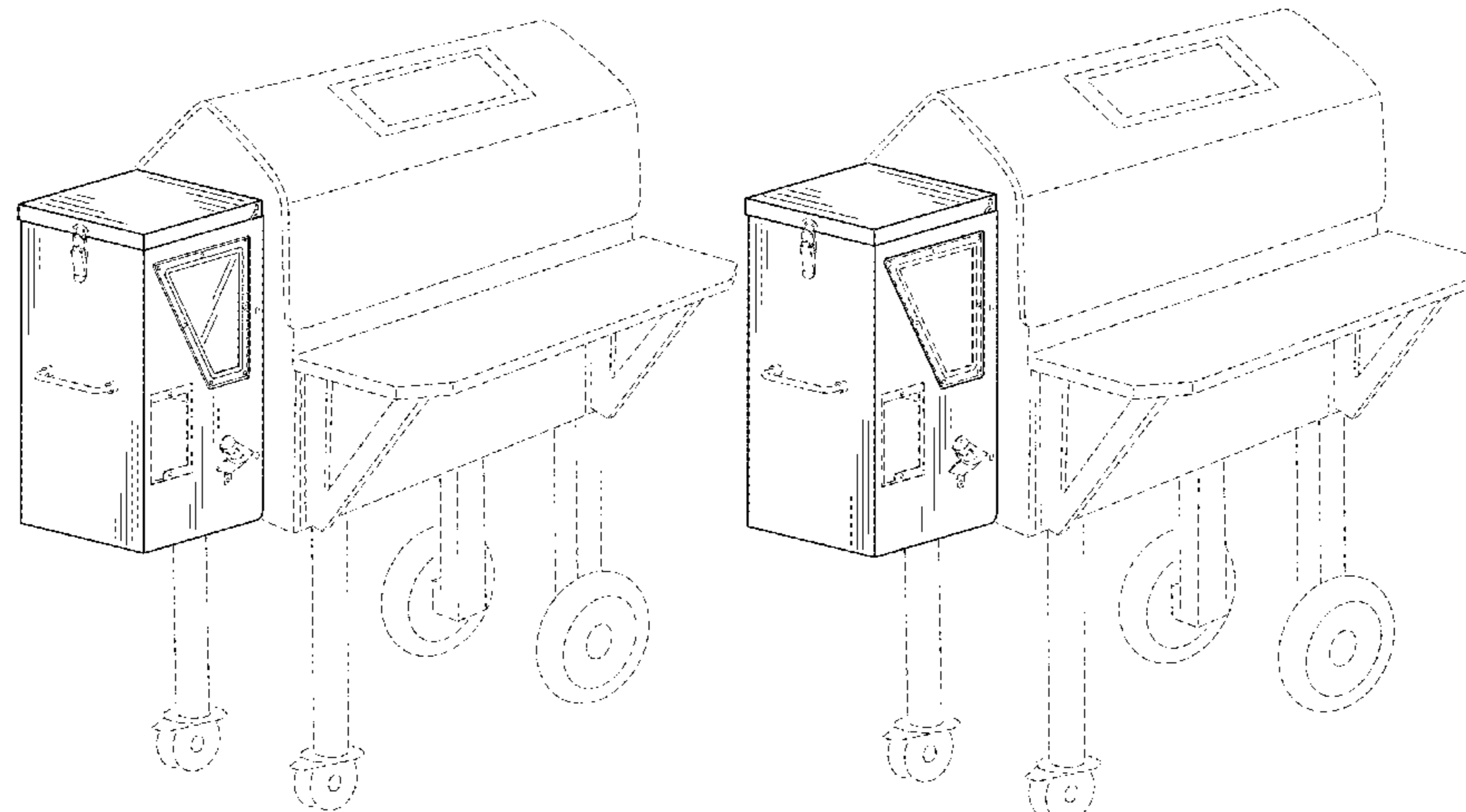
FIG. 14 is a fourth elevational view thereof;

FIG. 15 is a top plan view thereof; and,

FIG. 16 is a bottom plan view thereof.

The broken lines are shown for the purpose of illustrating both parts of the article as well as environmental subject

(Continued)



matter of an exemplary pellet grill. None of the broken lines form part of the claimed design.

**1 Claim, 14 Drawing Sheets**

**(58) Field of Classification Search**

CPC ..... 9/00; F27D 2009/0018; F27D 2009/004;  
F27B 2014/0837; F23D 14/02  
See application file for complete search history.

**(56) References Cited**

U.S. PATENT DOCUMENTS

D297,296	S	*	8/1988	Feil	.....	D7/350.4
D303,691	S	*	9/1989	Wehmeyer	.....	D21/524
D329,780	S	*	9/1992	Piret	.....	D7/351
D380,643	S	*	7/1997	Piret	.....	D7/350.4
D411,407	S	*	6/1999	Anthony	.....	D7/351
D491,415	S	*	6/2004	Rummel	.....	D13/112
D511,271	S	*	11/2005	Grutzke	.....	D7/405
D526,527	S	*	8/2006	Jung	.....	D7/348
D646,112	S	*	10/2011	Park	.....	D7/348
D646,113	S	*	10/2011	Park	.....	D7/348
D647,751	S	*	11/2011	Olson	.....	D7/348

D670,529	S	*	11/2012	Hensel	.....	D7/350.1
D673,000	S	*	12/2012	De' Longhi	.....	D7/350.1
D678,711	S	*	3/2013	Reiner	.....	D7/350.1
D733,483	S	*	7/2015	Baker	.....	D7/332
D748,424	S	*	2/2016	Funnell, II	.....	D7/348
D750,414	S	*	3/2016	Funnell, II	.....	D7/348
D762,081	S	*	7/2016	Minvielle	.....	D7/350.1
D781,097	S	*	3/2017	Kim	.....	D7/348
D782,864	S	*	4/2017	Bhogal	.....	D7/350.1
D784,751	S	*	4/2017	Funnell, II	.....	D7/348
D784,752	S	*	4/2017	Funnell, II	.....	D7/348
D786,014	S	*	5/2017	Knight	.....	D7/405
D786,611	S	*	5/2017	Funnell, II	.....	D7/348
D787,878	S	*	5/2017	Kim	.....	D7/348
D787,879	S	*	5/2017	Kim	.....	D7/348
D820,023	S	*	6/2018	Zhou	.....	D7/334
D820,628	S	*	6/2018	Zhou	.....	D7/334
D831,405	S	*	10/2018	Carcano	.....	D7/348
D835,450	S	*	12/2018	Prentice	.....	D7/348
D842,636	S	*	3/2019	Nilssen	.....	D7/332
D857,439	S	*	8/2019	Chung	.....	D7/334
D857,440	S	*	8/2019	DeMars	.....	D7/334
D858,172	S	*	9/2019	Moore	.....	D7/348
D859,055	S	*	9/2019	Baacke	.....	D7/348
D862,968	S	*	10/2019	Mansueto	.....	D7/332
2019/0274476	A1	*	9/2019	Dahle	.....	A47J 37/0763

\* cited by examiner

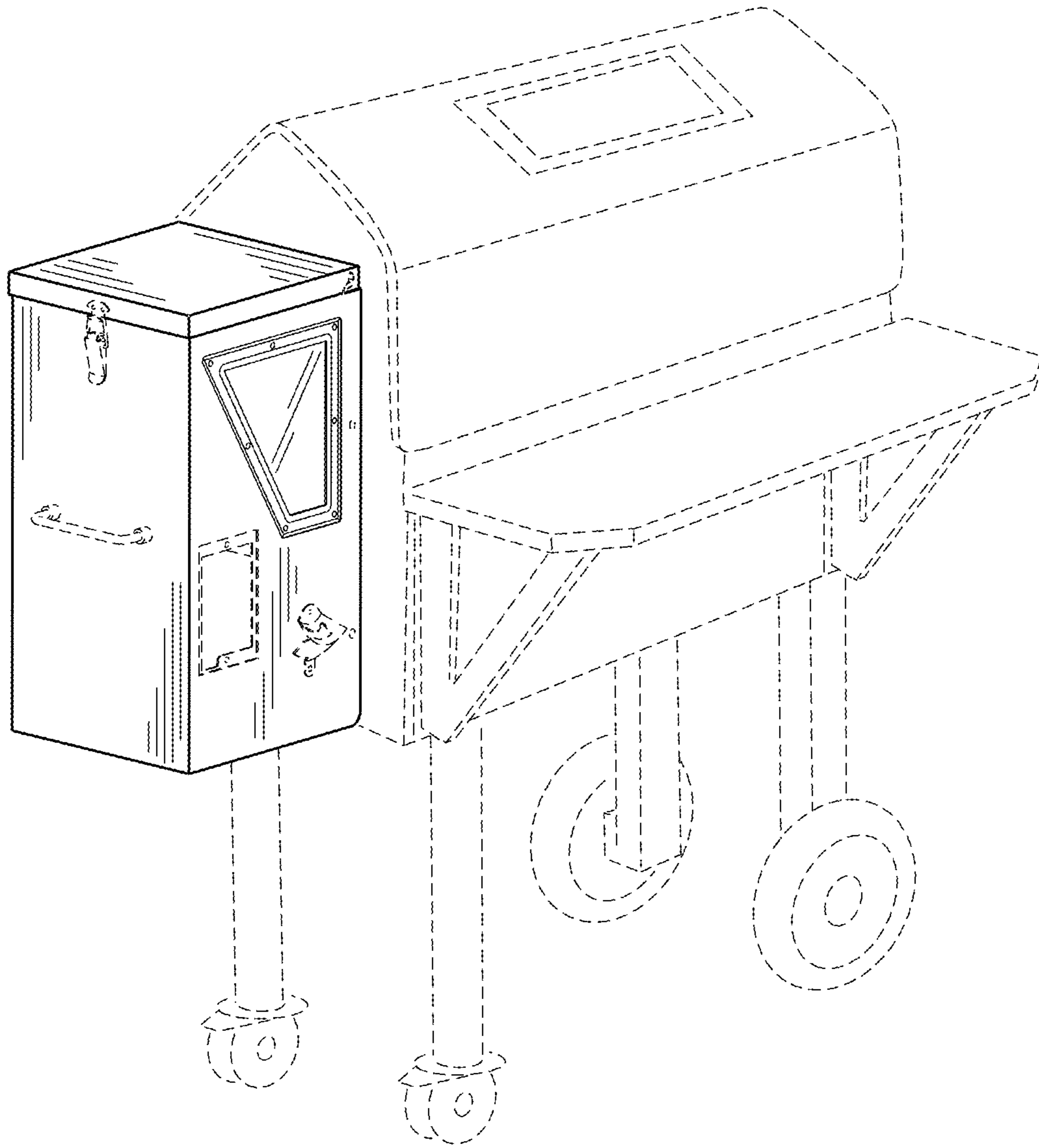


FIG. 1

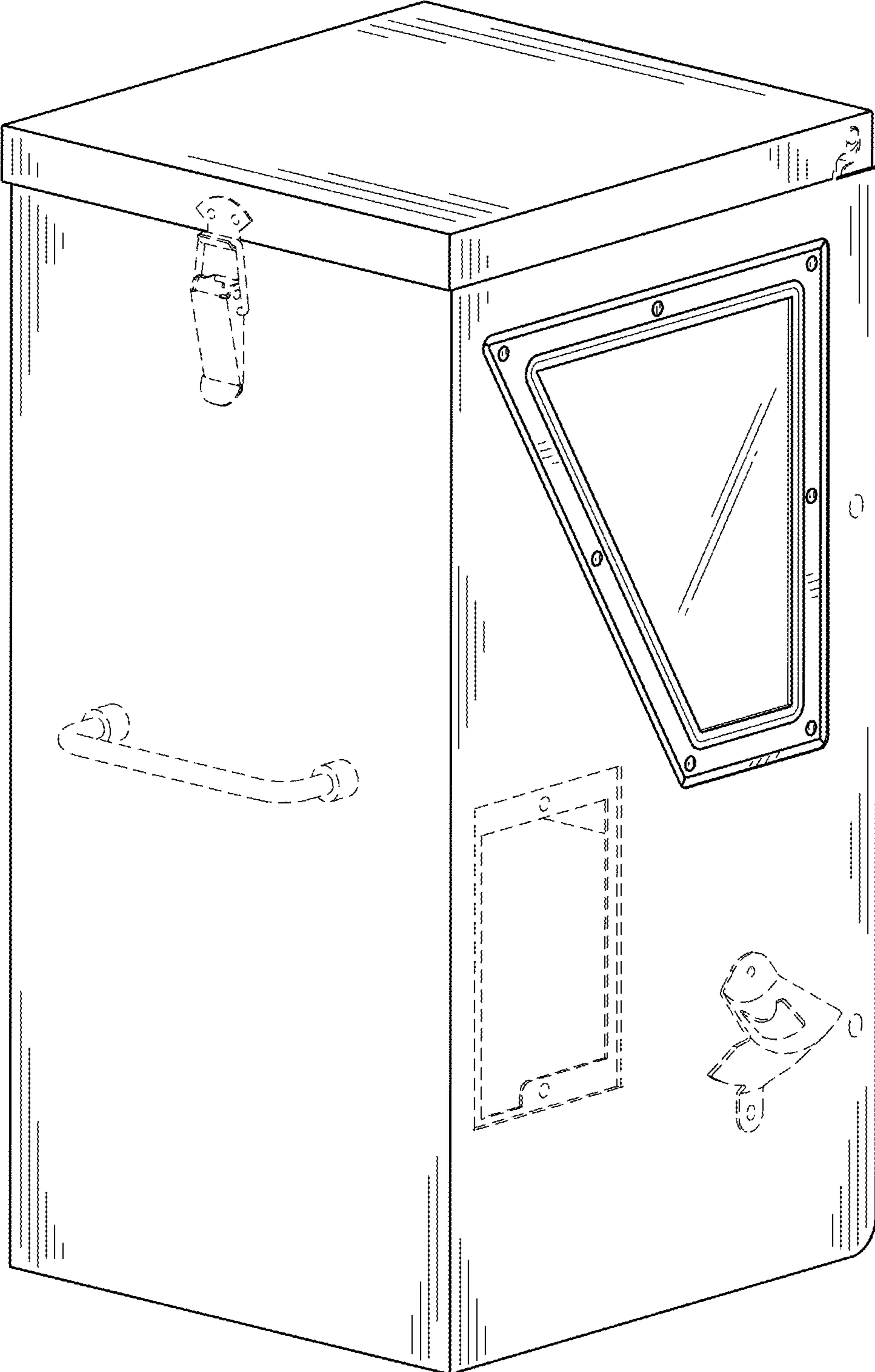


FIG. 2

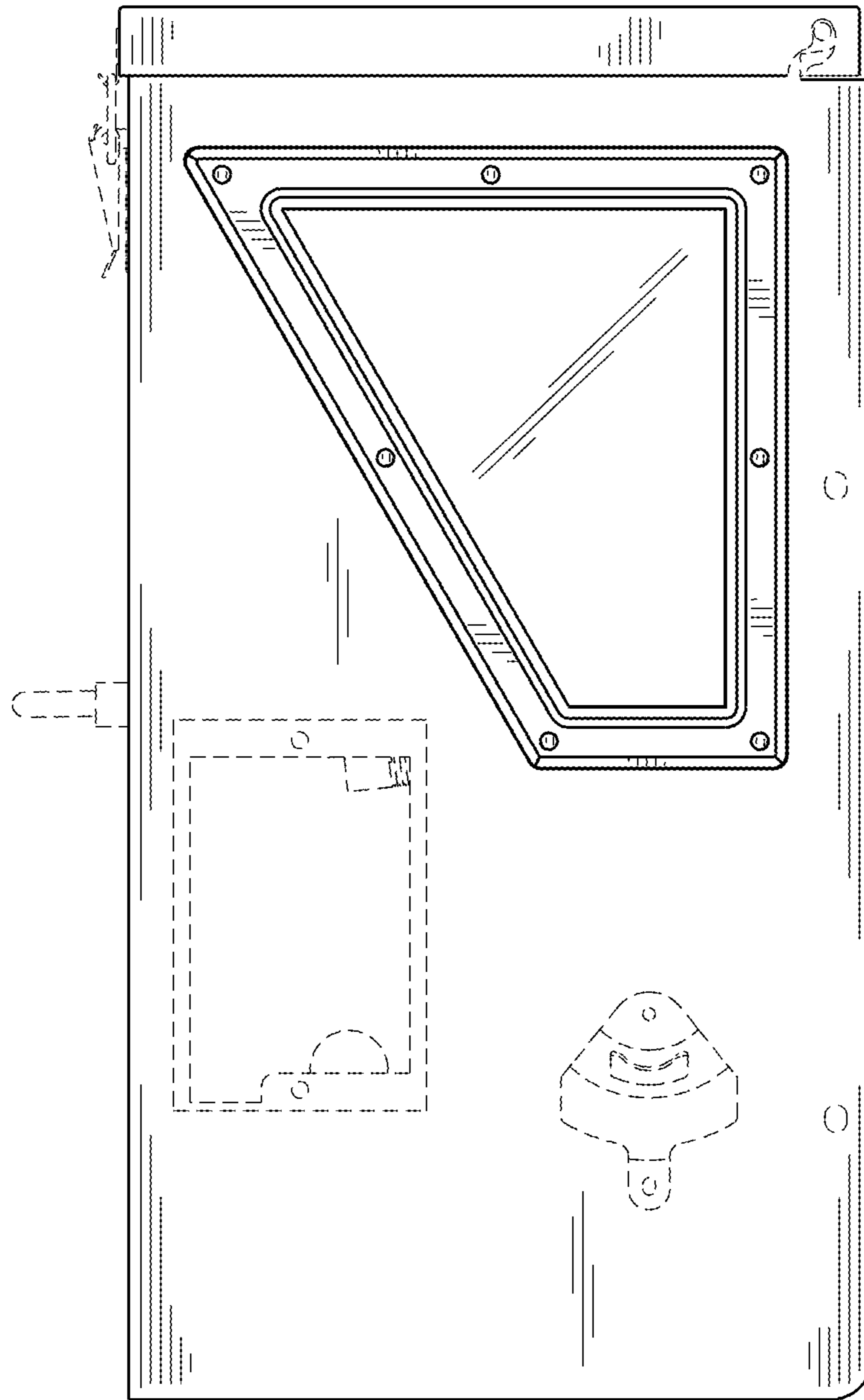


FIG. 3

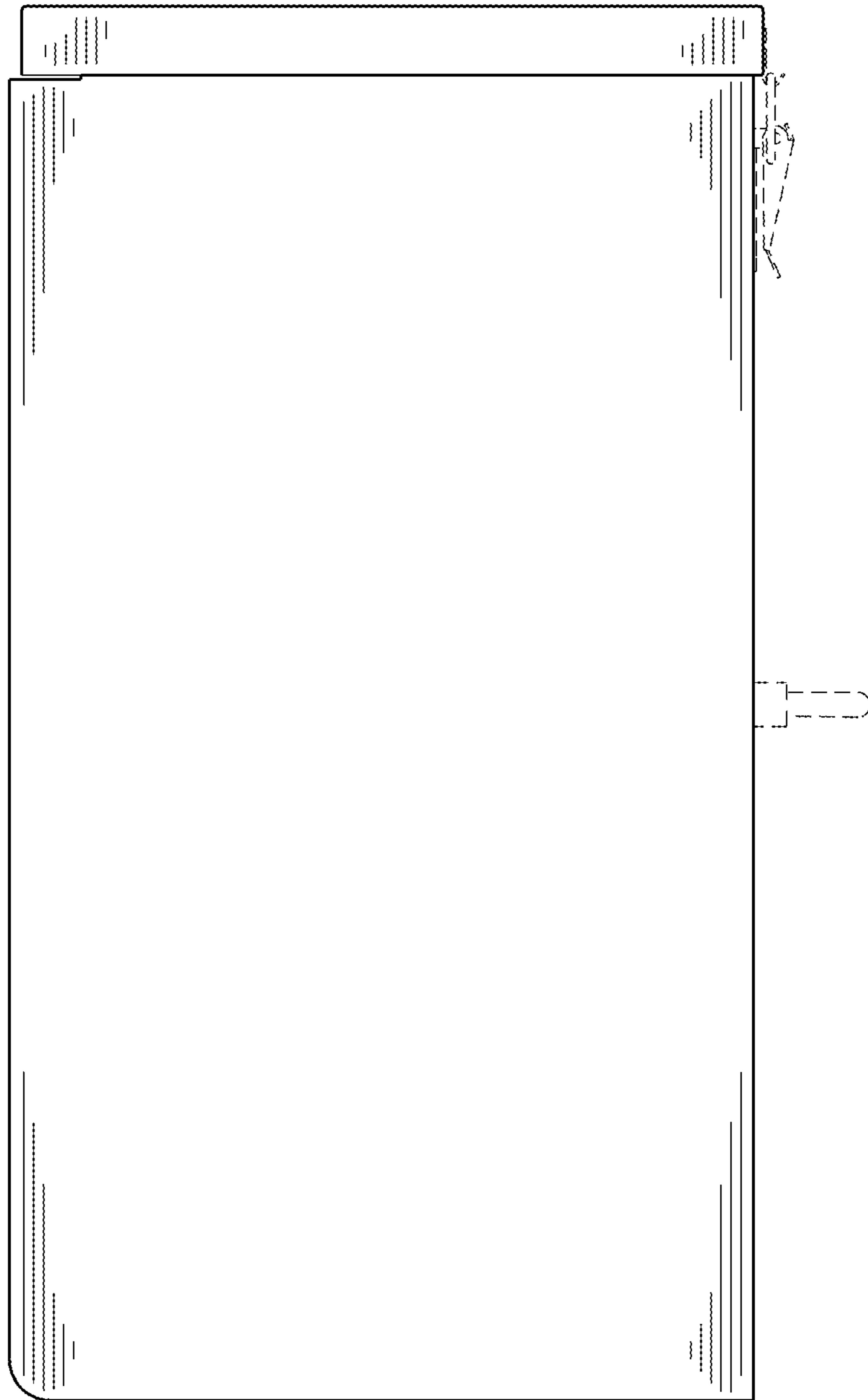


FIG. 4

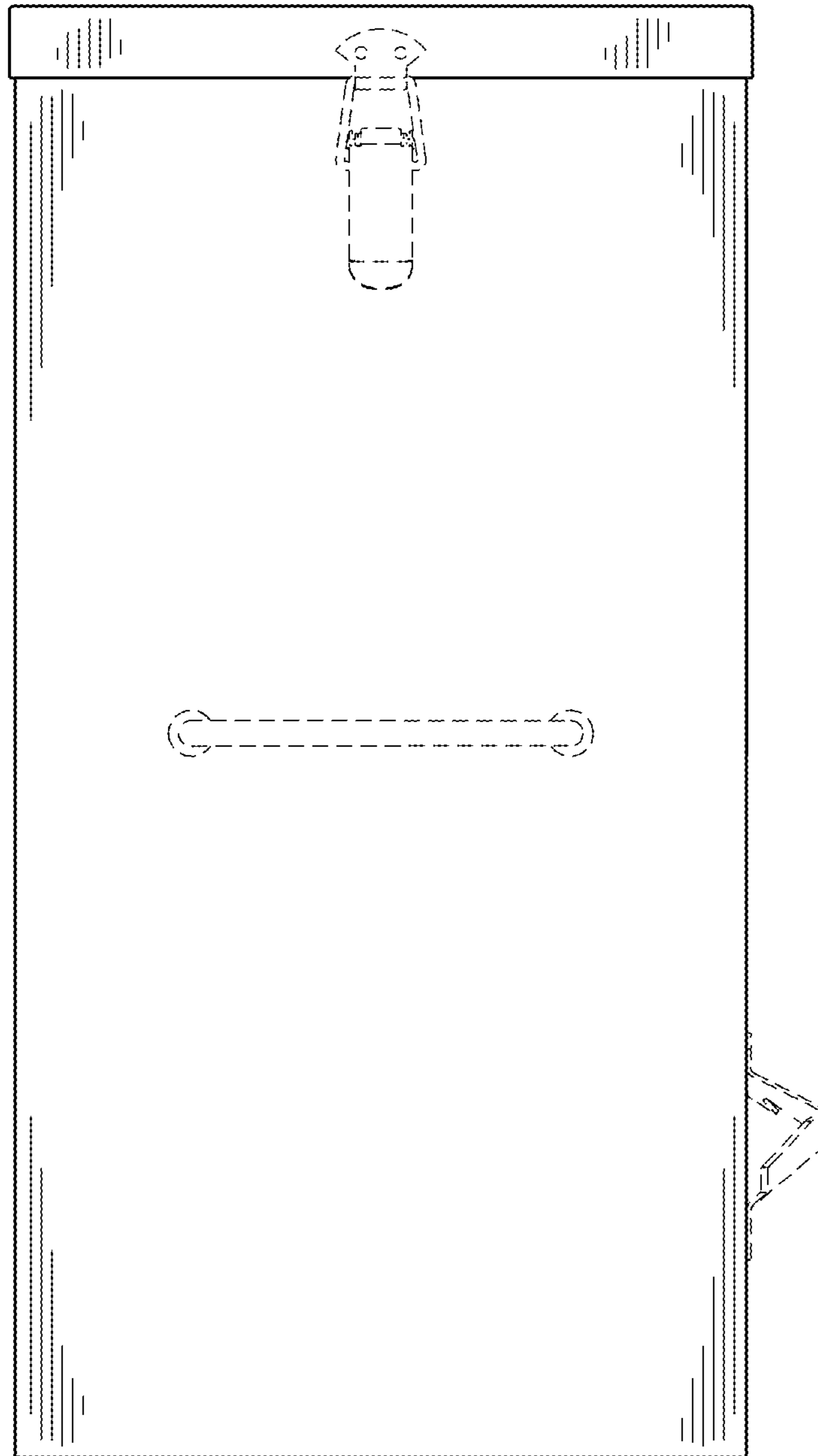


FIG. 5

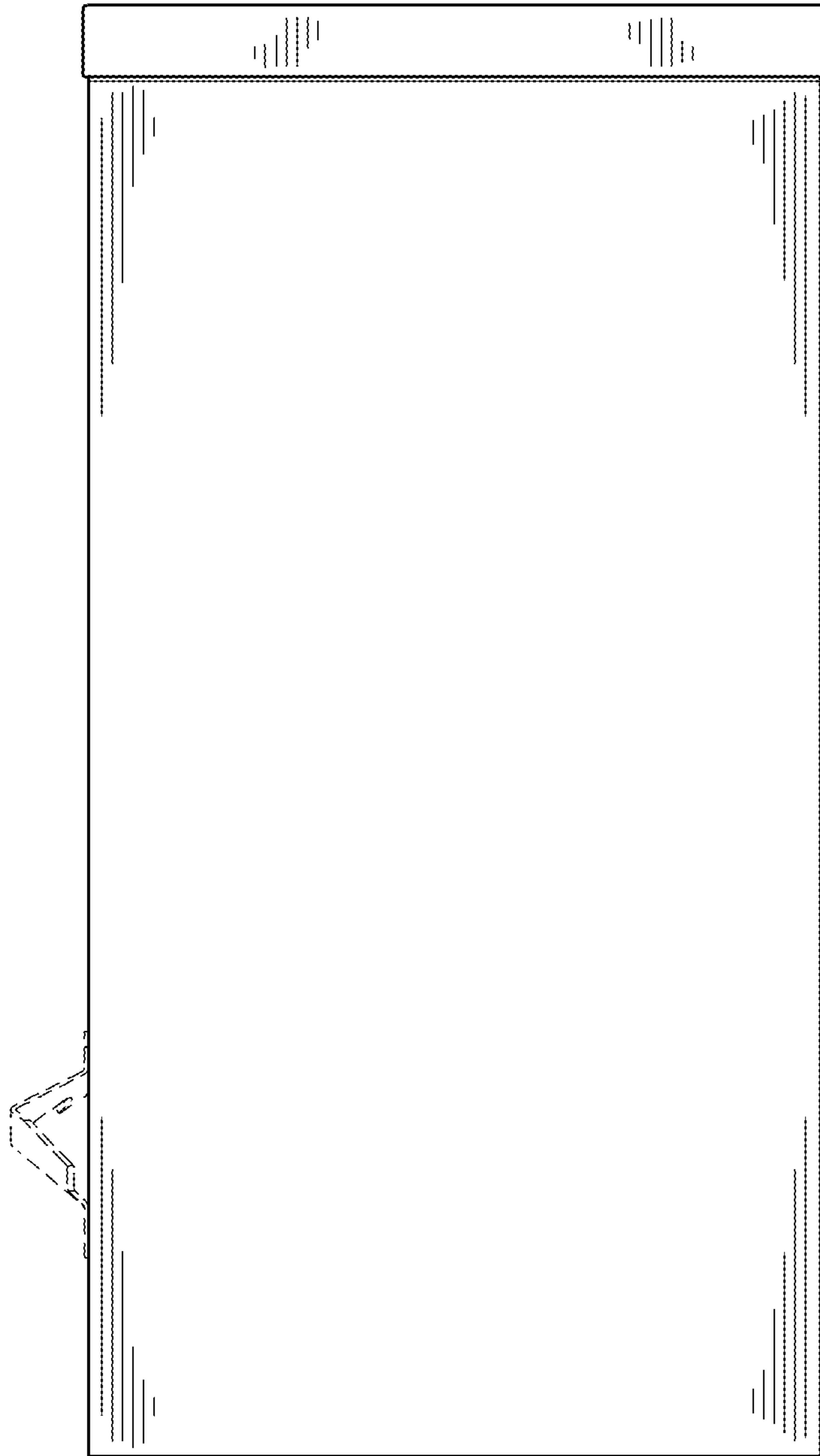


FIG. 6



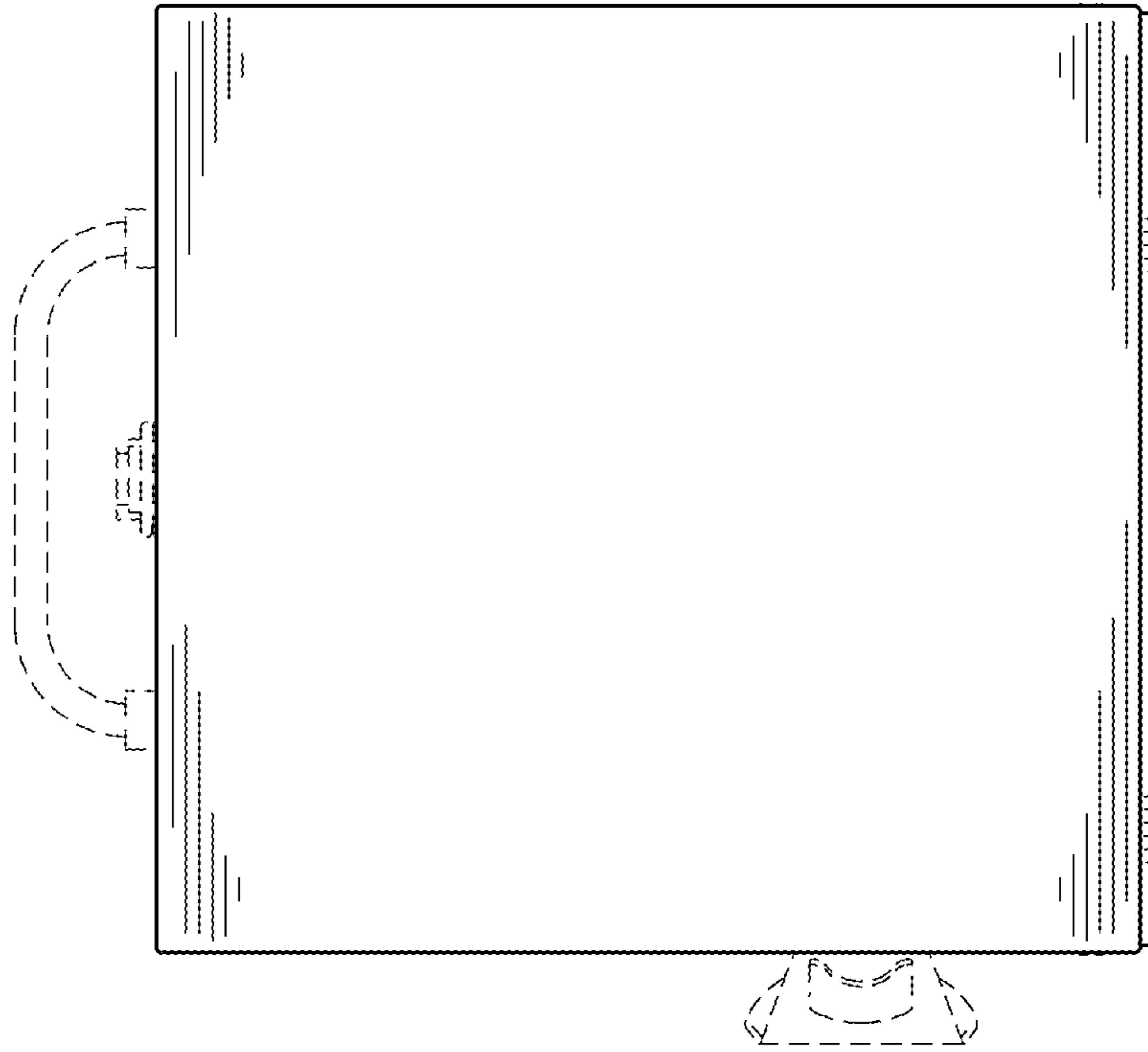


FIG. 7

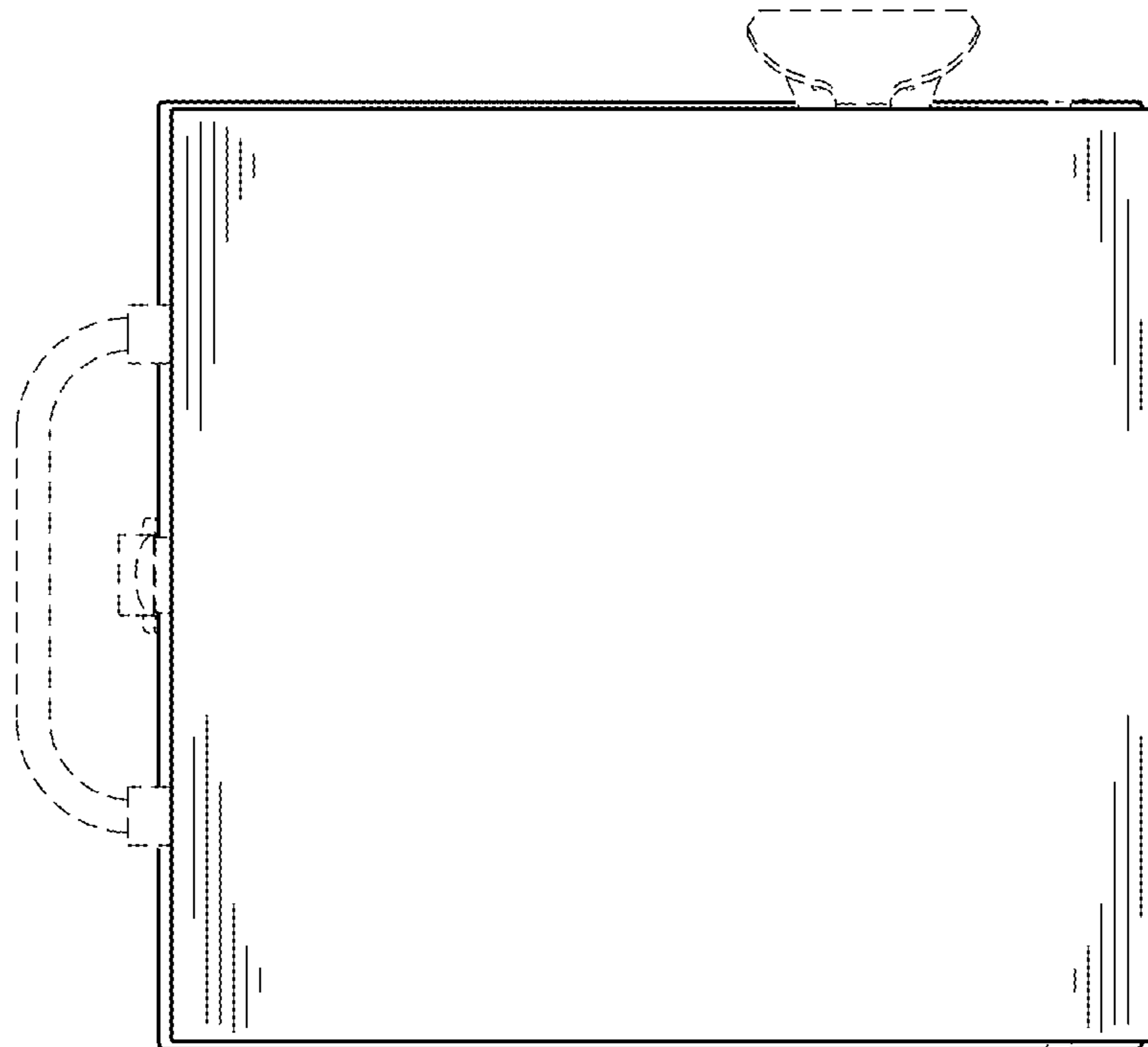


FIG. 8

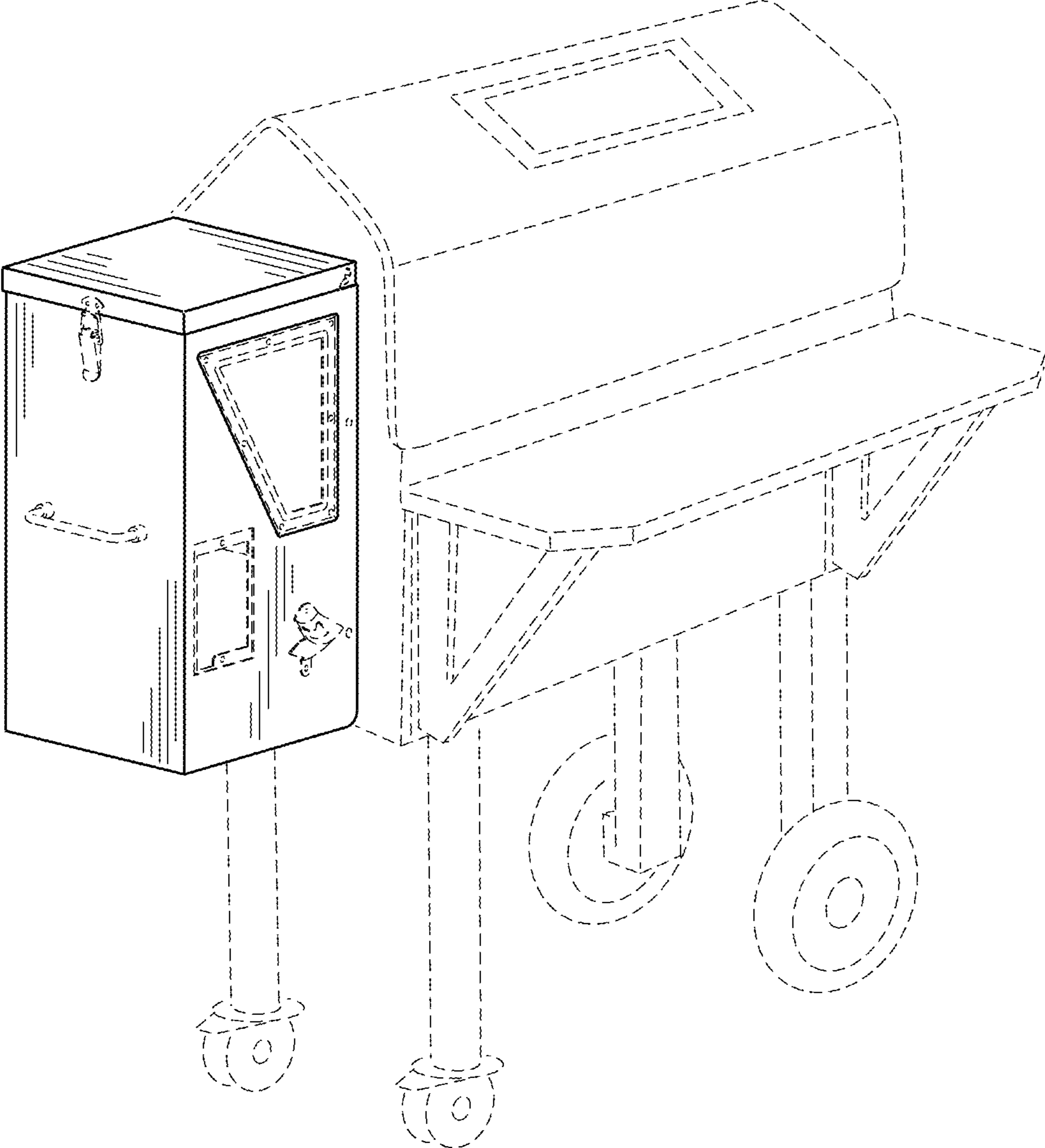


FIG. 9

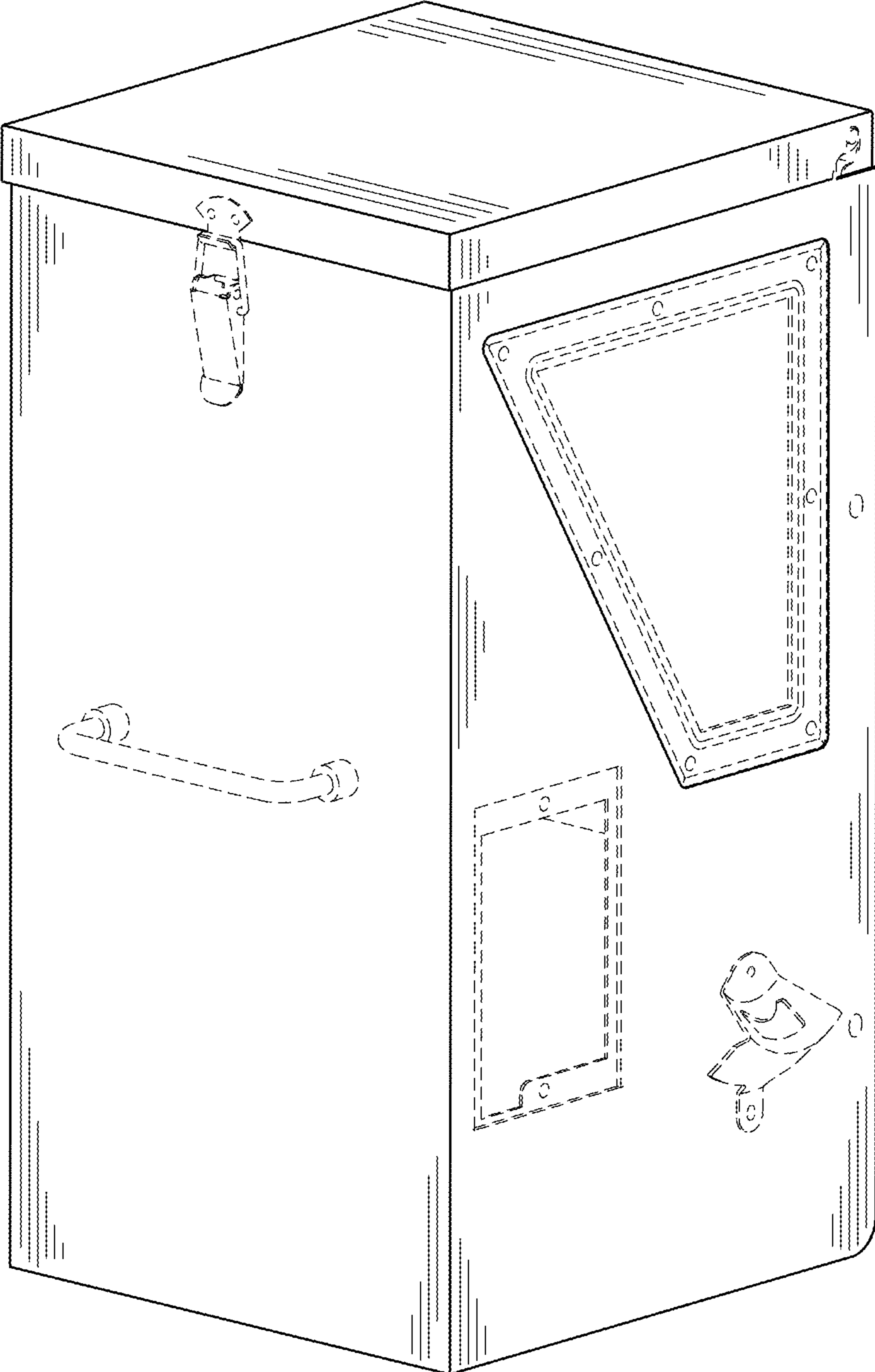


FIG. 10

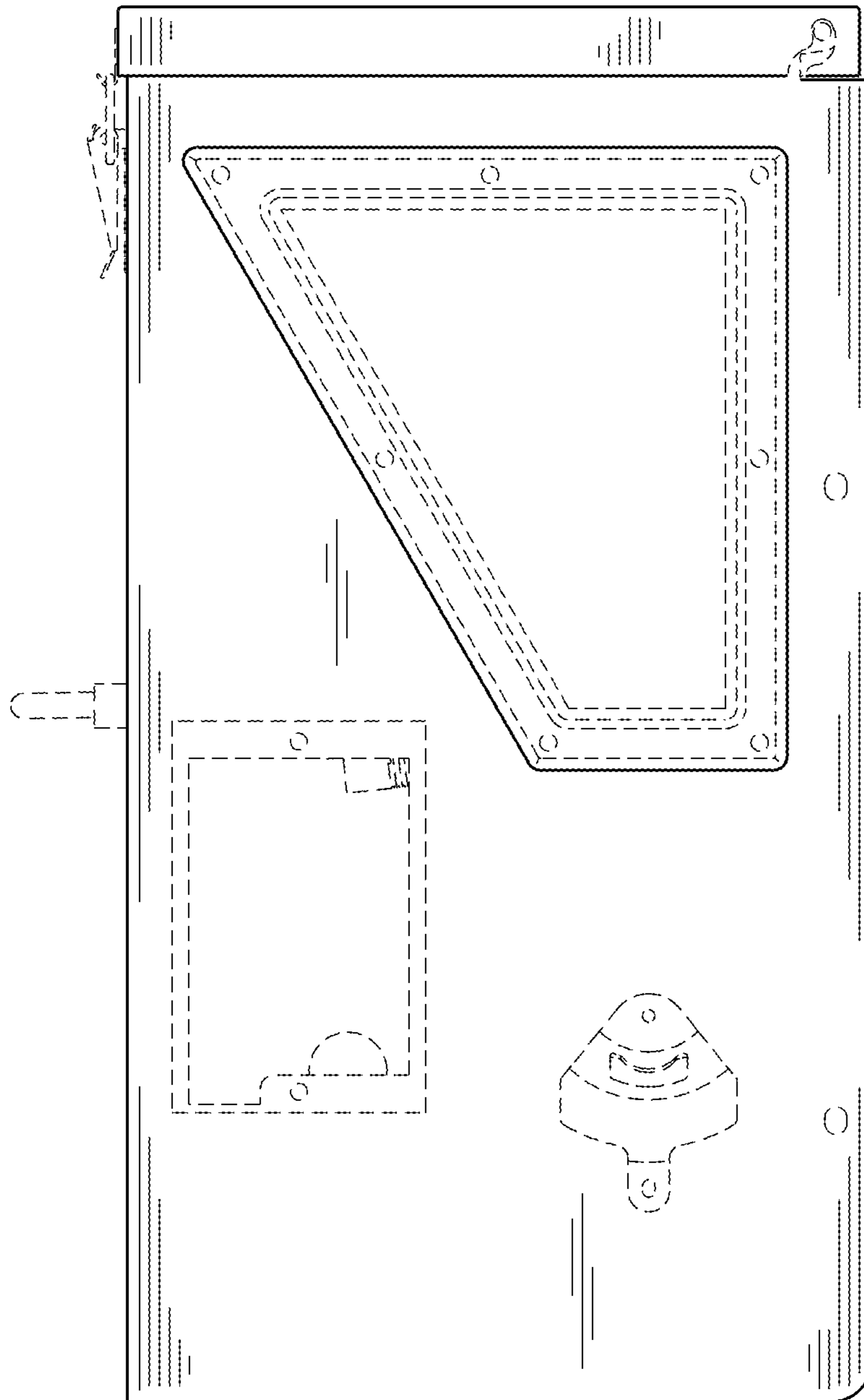


FIG. 11

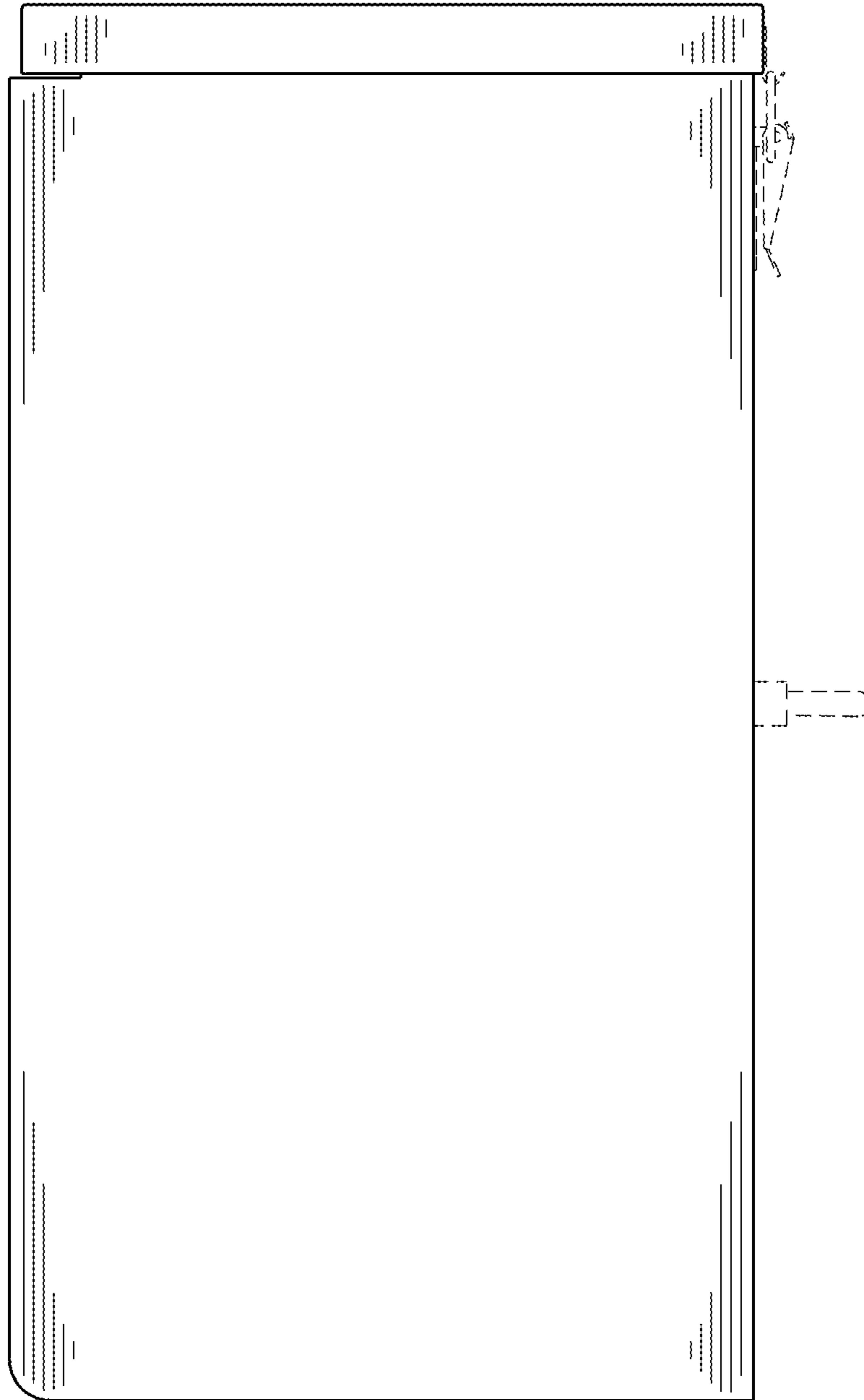


FIG. 12

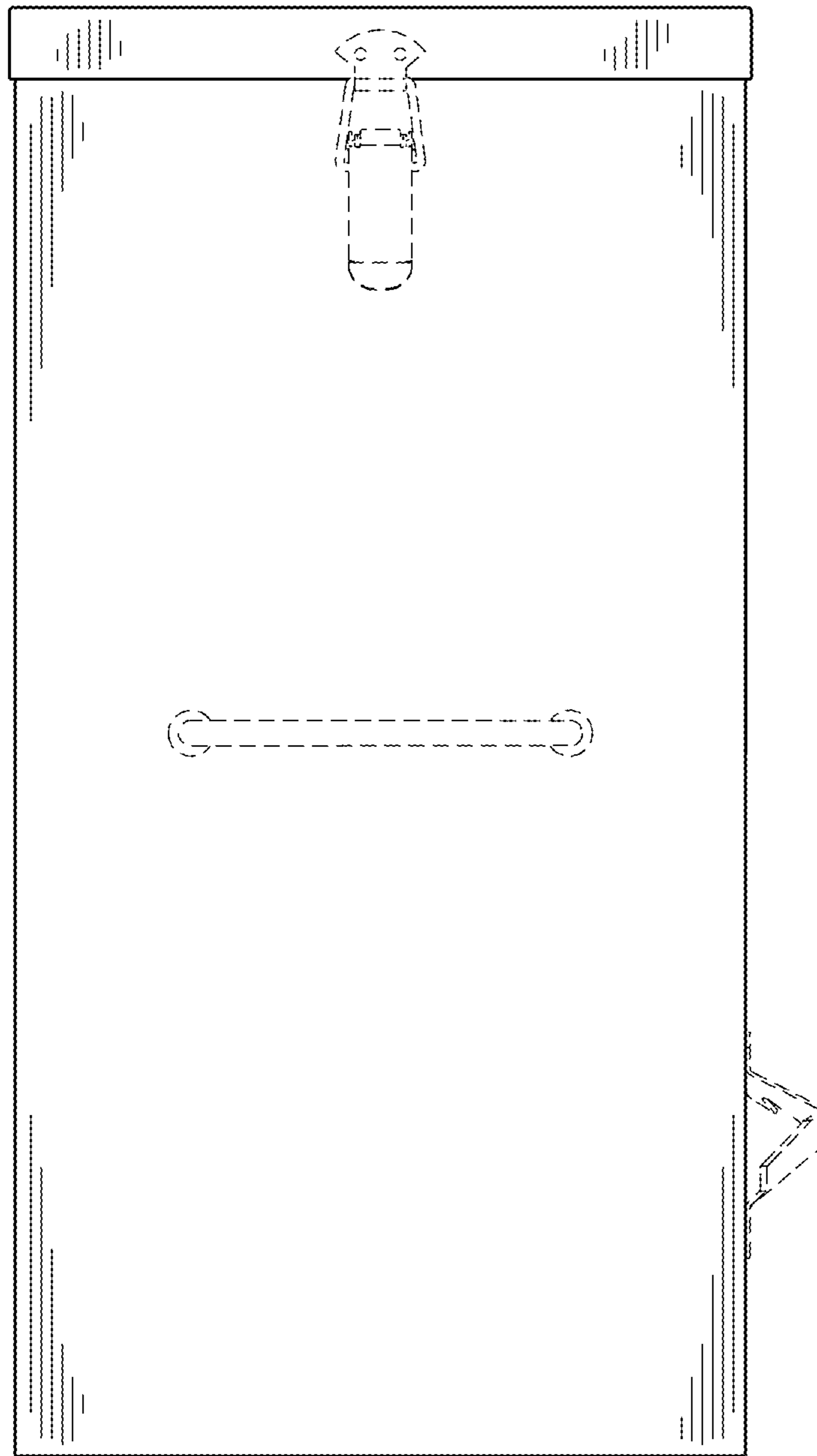


FIG. 13

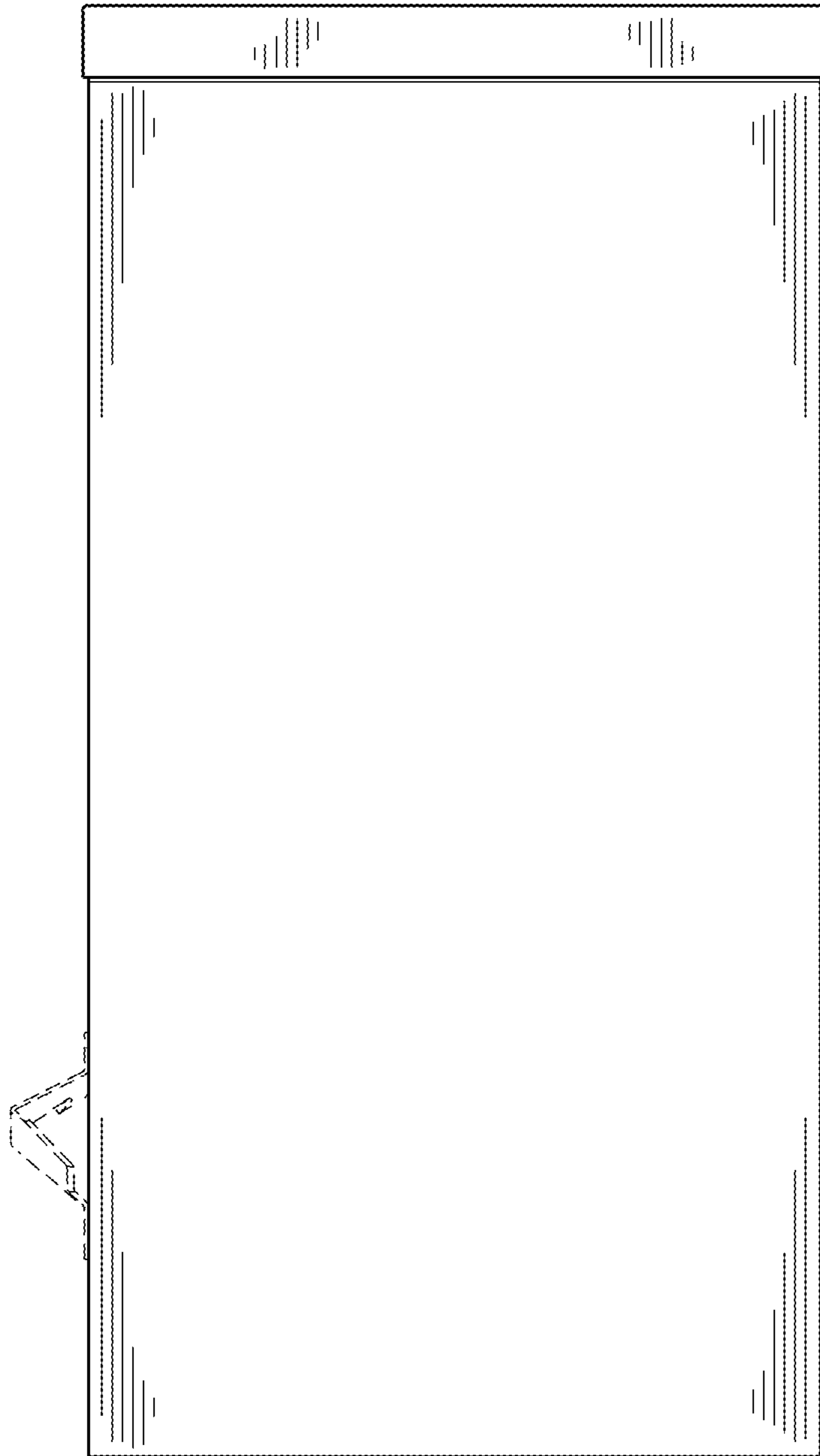


FIG. 14

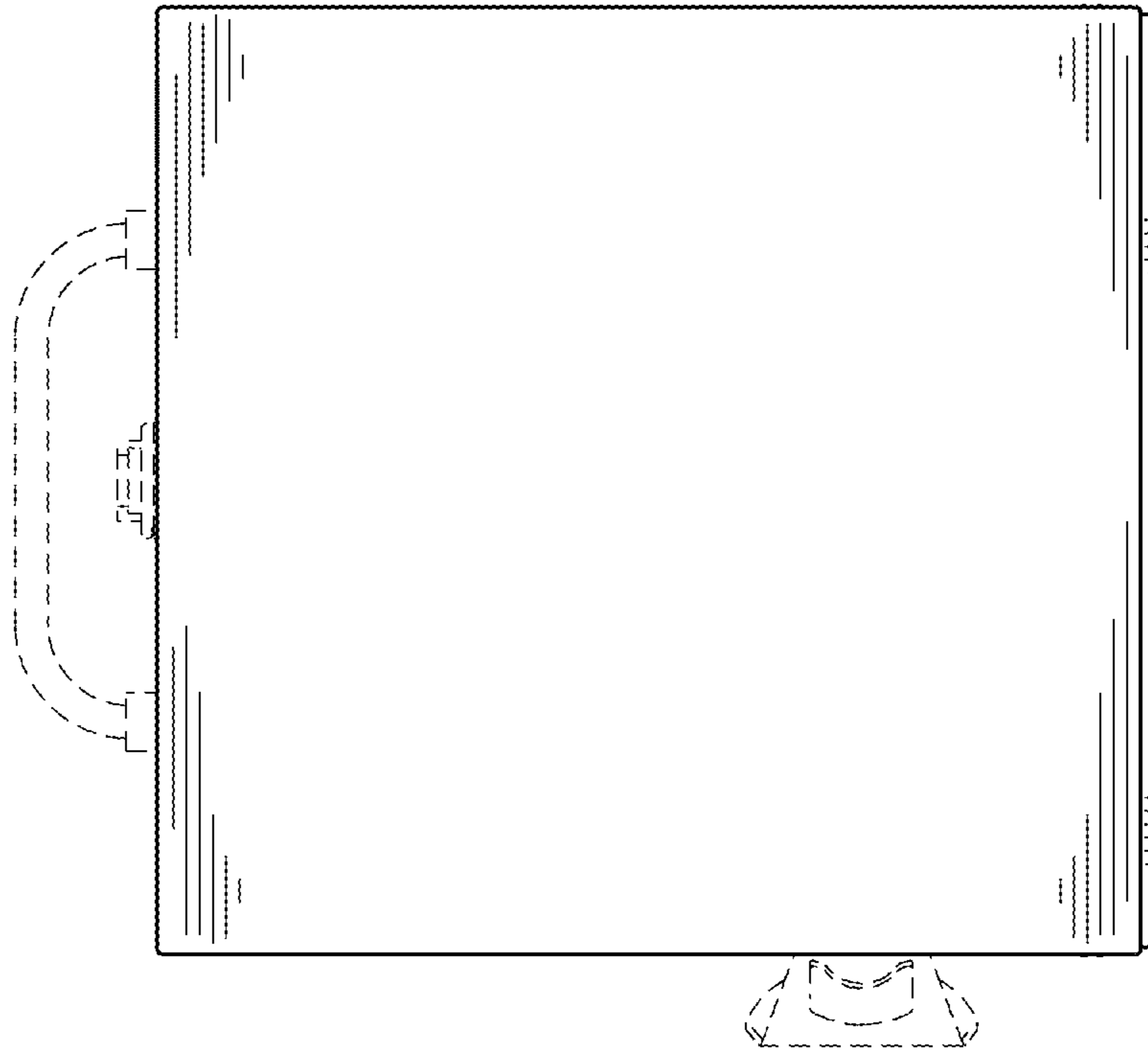


FIG. 15

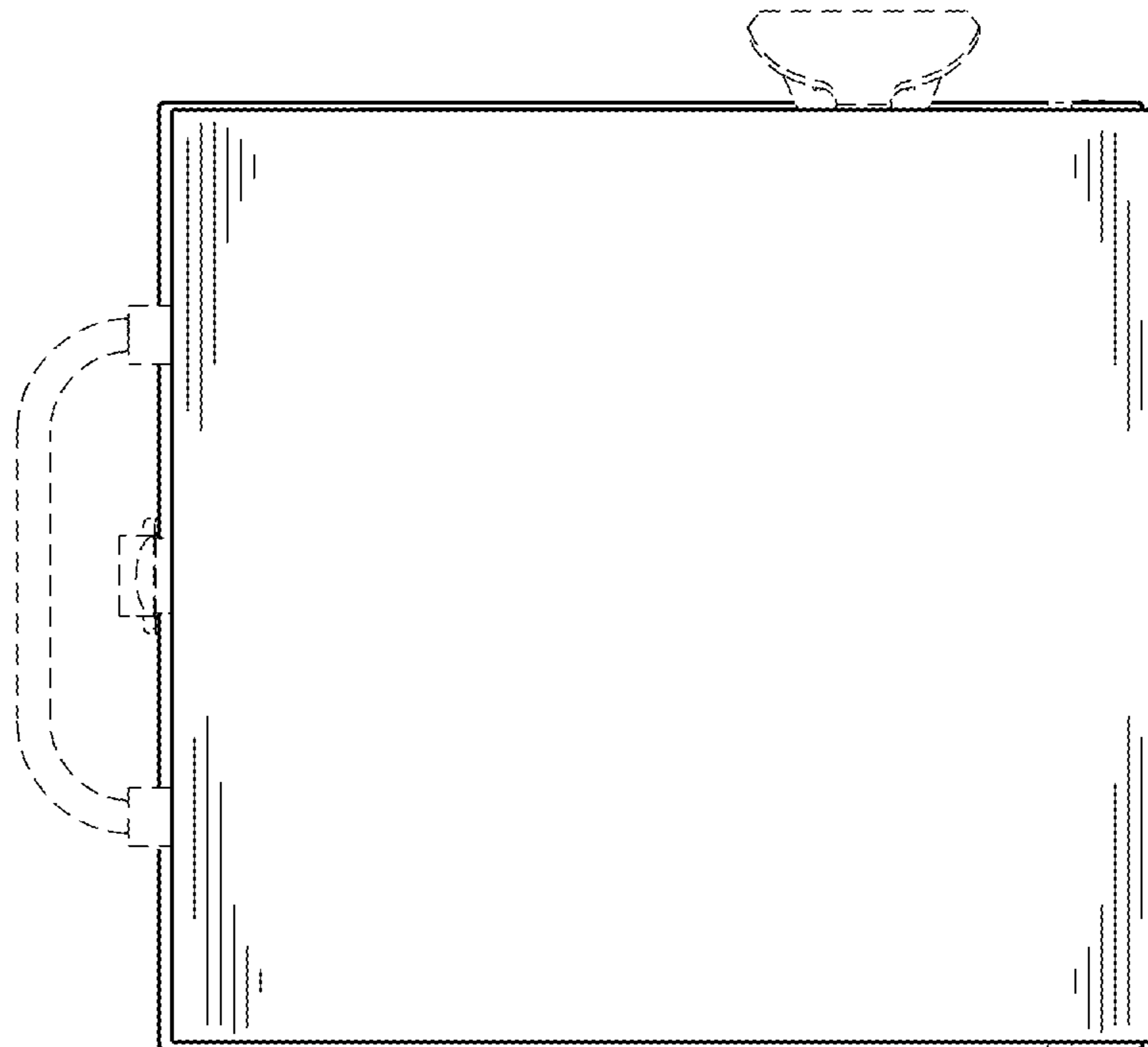


FIG. 16