



US00D901243S

(12) **United States Design Patent**  
**Colston**

(10) **Patent No.:** **US D901,243 S**

(45) **Date of Patent:** **\*\* Nov. 10, 2020**

- (54) **GRILL WITH SAWHORSE LEGS**
- (71) Applicant: **Traeger Pellet Grills LLC**, Salt Lake City, UT (US)
- (72) Inventor: **Michael Virgil Colston**, Salt Lake City, UT (US)
- (73) Assignee: **Traeger Pellet Grills LLC**, Salt Lake City, UT (US)

D179,345 S \* 12/1956 Henry ..... D7/334  
 2,822,228 A 2/1958 Comer  
 2,902,026 A 9/1959 Hathorn  
 (Continued)

(\*\*) Term: **15 Years**

(21) Appl. No.: **29/667,351**

(22) Filed: **Oct. 19, 2018**

**Related U.S. Application Data**

- (63) Continuation of application No. 29/539,822, filed on Sep. 17, 2015, now Pat. No. Des. 839,047, and a continuation of application No. 15/070,220, filed on Mar. 15, 2016, now Pat. No. 10,568,461, application No. 29/667,351, filed on Oct. 19, 2018, which is a continuation of application No. PCT/US2017/067370, filed on Dec. 19, 2017.

(51) **LOC (12) Cl.** ..... **07-99**

(52) **U.S. Cl.**  
USPC ..... **D7/402**

(58) **Field of Classification Search**  
 USPC ..... D7/387, 402, 409, 323, 332-337, 403  
 CPC ..... A47J 37/07-0781; A47J 37/0786; A47J 33/00; A23B 4/044; A23B 4/048; A23B 4/052; A23B 4/0523; A23B 4/0526; A23B 4/056

See application file for complete search history.

(56) **References Cited**

**U.S. PATENT DOCUMENTS**

639,099 A 12/1899 Schoregge  
 1,300,710 A 4/1919 Edwards  
 2,631,076 A 3/1953 Redlich

**FOREIGN PATENT DOCUMENTS**

CN 104352179 2/2015  
 FR 2132681 A1 11/1972  
 JP 59-174411 U 11/1984

**OTHER PUBLICATIONS**

Ex Parte Quayle Action for U.S. Appl. No. 29/539,822, dated Jun. 13, 2018 5 pages.

(Continued)

*Primary Examiner* — Susan E Krakower

*Assistant Examiner* — Andrew Kerr

(74) *Attorney, Agent, or Firm* — TraskBritt

(57) **CLAIM**

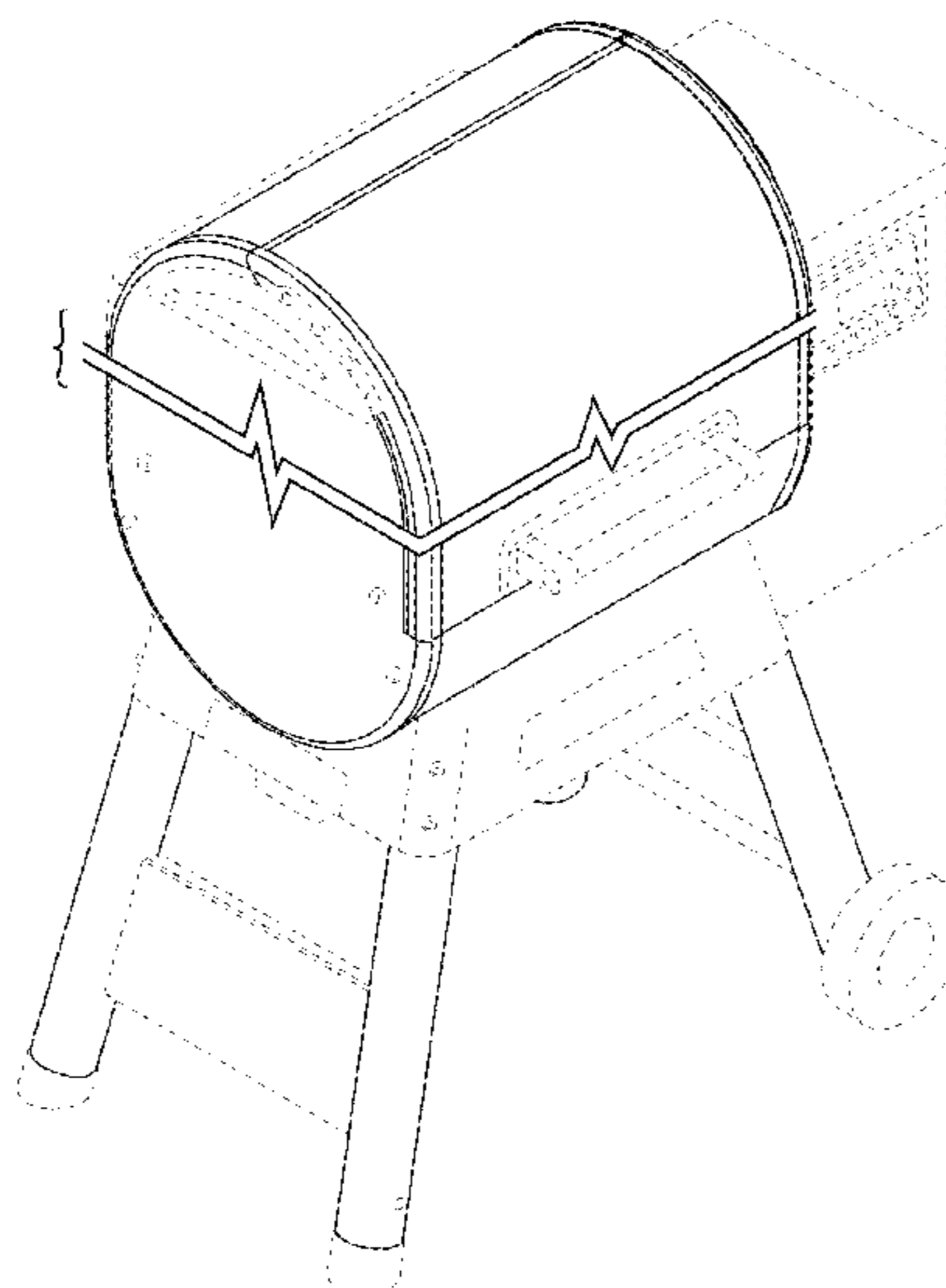
The ornamental design for a grill with sawhorse legs, as shown and described.

**DESCRIPTION**

FIG. 1 is a top front left perspective view of a grill with sawhorse legs including my design;  
 FIG. 2 is a front elevation view thereof;  
 FIG. 3 is a rear elevation view thereof;  
 FIG. 4 is a top plan view thereof;  
 FIG. 5 is a bottom plan view thereof;  
 FIG. 6 is a right elevation view thereof; and,  
 FIG. 7 is a left elevation view thereof.

The grill with sawhorse legs is shown with a symbolic break in its length. The appearance of any portion of the article between the break lines forms no part of the claimed design. The broken lines are included for the purpose of showing environmental portions of the grill with sawhorse legs and form no part of the claimed design.

**1 Claim, 5 Drawing Sheets**



(56)

References Cited

U.S. PATENT DOCUMENTS

D188,879 S	9/1960	Gauss		D510,835 S	10/2005	Pai	
D196,553 S	10/1963	Mayer		D510,838 S	10/2005	Nipke et al.	
D196,996 S	11/1963	Kates		D511,924 S	11/2005	Chung	
3,533,393 A	10/1970	Haapanen		D512,263 S	12/2005	Chung	
3,665,913 A	5/1972	Cagle		D516,366 S	3/2006	Nipke et al.	
3,754,728 A	8/1973	Bowman		D526,831 S	8/2006	Chung	
3,769,901 A *	11/1973	Phillips	A47J 37/0704 99/444	D526,833 S	8/2006	Chung	
				D526,834 S	8/2006	Chung	
3,791,370 A	2/1974	Fauser		D528,847 S	9/2006	Chung	
3,883,104 A	5/1975	Delafield		D534,755 S	1/2007	Knight	
3,938,493 A	2/1976	Bauer		D535,522 S	1/2007	Seager	
3,945,740 A	3/1976	Weiler		7,156,087 B1	1/2007	Churchhill	
3,964,404 A	6/1976	Mueller et al.		D562,619 S	2/2008	Henley	
4,076,008 A	2/1978	Deaton		D563,148 S	3/2008	Henry	
4,090,490 A *	5/1978	Riley	A47J 37/0786 110/167	D572,072 S	7/2008	Chung	
				D576,833 S	9/2008	Mansell	
4,132,178 A	1/1979	Mueller et al.		D579,260 S	10/2008	Zischke	
4,192,113 A	3/1980	Martin, Jr.		D583,185 S	12/2008	Rutter et al.	
4,233,890 A	11/1980	Jansen		D592,442 S	5/2009	Rutter et al.	
4,362,093 A	12/1982	Griscom		7,624,675 B2	12/2009	Galdamez	
4,396,173 A	8/1983	Call, Sr.		D609,959 S	2/2010	Chen	
4,408,928 A	10/1983	Steinke		D618,037 S	6/2010	Chung	
4,592,335 A	6/1986	Beller		D618,483 S	6/2010	Chung	
4,665,891 A	5/1987	Nemec		7,753,047 B1	7/2010	Trammell	
4,700,618 A	10/1987	Cox		D623,003 S	9/2010	Chung	
4,788,906 A	12/1988	Starks		D623,888 S	9/2010	Chung	
4,955,358 A	9/1990	Harris et al.		7,798,057 B2	9/2010	Ritterling	
5,002,247 A	3/1991	Dispenza et al.		D631,279 S	1/2011	Davis	
5,031,602 A	7/1991	Vick		7,861,705 B2	1/2011	Hulsey	
D320,527 S	10/1991	Carroll		D638,654 S	5/2011	Plott	
5,070,857 A	12/1991	Sarten		7,984,709 B1	7/2011	Brynes	
5,163,359 A	11/1992	McLane		D648,975 S	11/2011	Chiang	
D350,668 S	9/1994	Giebel et al.		D653,494 S	2/2012	Chung	
5,404,795 A	4/1995	Coble		D657,181 S	4/2012	Chung	
5,473,979 A	12/1995	Ruben		D660,646 S *	5/2012	Simms, II	D7/402
5,481,964 A	1/1996	Kitten		D668,097 S	10/2012	Simms, II	
5,483,947 A	1/1996	Giebel et al.		8,381,712 B1	2/2013	Simms	
D369,716 S	5/1996	Blanc		D680,794 S	4/2013	Chung	
5,524,610 A	6/1996	Clark		D680,795 S	4/2013	Chung	
D376,510 S	12/1996	Ting		D680,796 S	4/2013	Chung	
5,694,917 A	12/1997	Giebel		D687,667 S	8/2013	Chien	
5,934,180 A	8/1999	Lin		8,602,017 B2	12/2013	May et al.	
D414,374 S	9/1999	Ting		D708,002 S	7/2014	Cruccolini	
5,947,007 A	9/1999	O'Grady		D709,315 S	7/2014	Witzel et al.	
6,000,388 A	12/1999	Andress		D714,090 S	9/2014	Harper	
D428,303 S	7/2000	Wagner et al.		8,870,163 B2	10/2014	Regan	
D428,760 S	8/2000	Huang		D717,094 S	11/2014	Chung	
6,125,836 A	10/2000	Felton		D717,095 S	11/2014	Chung	
6,182,560 B1	2/2001	Andress		D717,096 S	11/2014	Chung	
6,189,528 B1	2/2001	Oliver		D717,098 S	11/2014	Chung	
6,209,533 B1 *	4/2001	Ganard	A47J 37/0704 126/25 R	8,915,238 B2	12/2014	Goeken	
				D724,714 S	3/2015	Benson et al.	
D447,913 S *	9/2001	Cragg	D7/334	D724,886 S	3/2015	Chung	
D456,202 S	4/2002	McNair		D736,026 S	8/2015	Kam	
D456,203 S	4/2002	Peloquin		D738,155 S	9/2015	Chung	
6,397,731 B1	6/2002	Gillespie et al.		D739,170 S	9/2015	Chung	
D460,312 S	7/2002	Fry et al.		D744,775 S	12/2015	Yang	
D460,658 S	7/2002	Wu		D767,936 S	10/2016	Yang	
6,422,134 B1	7/2002	Barksdale		D780,502 S	3/2017	Gloger	
6,439,220 B1	8/2002	Johnson		D786,014 S	5/2017	Knight	
D466,358 S	12/2002	Eisinger et al.		D796,258 S	9/2017	Streckfus	
6,557,545 B2	5/2003	Williams		D798,645 S	10/2017	Lira-Ninez	
6,561,082 B2	5/2003	Gillespie et al.		D798,646 S	10/2017	Lira-Ninez	
D480,595 S	10/2003	Pai		D799,259 S	10/2017	Lira-Ninez	
D485,116 S	1/2004	Kwok		D806,463 S	1/2018	Gloger	
D494,406 S	8/2004	Zhang		D814,226 S	4/2018	Mansueto et al.	
D496,821 S	10/2004	Pai		D817,091 S	5/2018	Colston	
6,810,792 B1	11/2004	Knight		D817,684 S	5/2018	Mansueto et al.	
D504,274 S	4/2005	Ceccon		D820,628 S *	6/2018	Zhou	D7/334
D504,798 S	5/2005	Nipke et al.		D825,990 S	8/2018	Colston	
D505,824 S	6/2005	Nipke et al.		D827,368 S	9/2018	Colston	
6,913,011 B1	7/2005	Snider		D827,370 S	9/2018	Colston	
D507,927 S	8/2005	Nipke et al.		D827,371 S	9/2018	Colston	
D508,364 S	8/2005	Nipke et al.		D829,049 S	9/2018	Measom et al.	
D508,365 S	8/2005	Nipke et al.		D829,050 S	9/2018	Measom et al.	
				D832,046 S	10/2018	Chung	
				D835,448 S	12/2018	Mansueto et al.	
				D839,047 S	1/2019	Colston	
				10,213,051 B2	2/2019	Colston et al.	





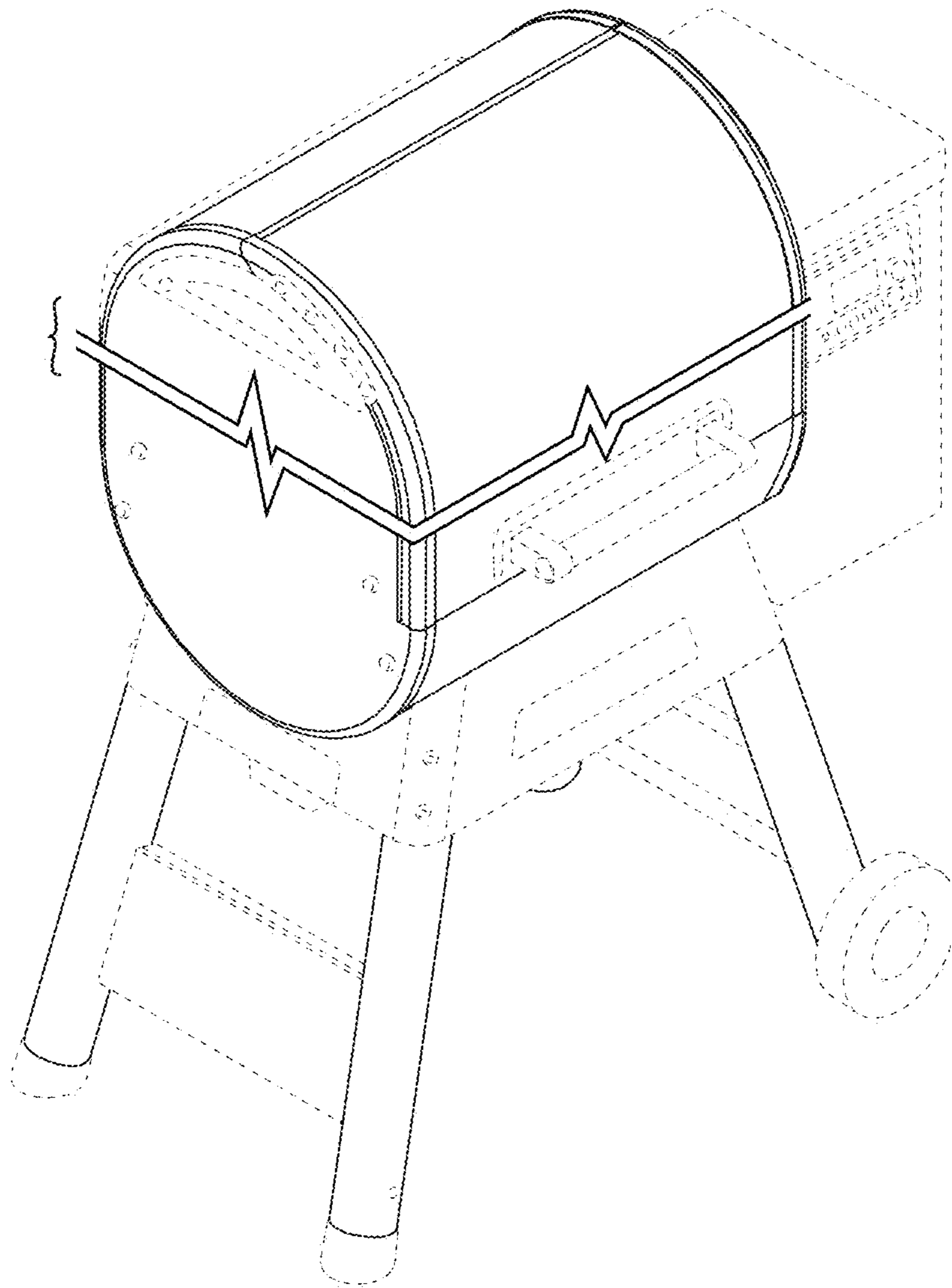


FIG. 1

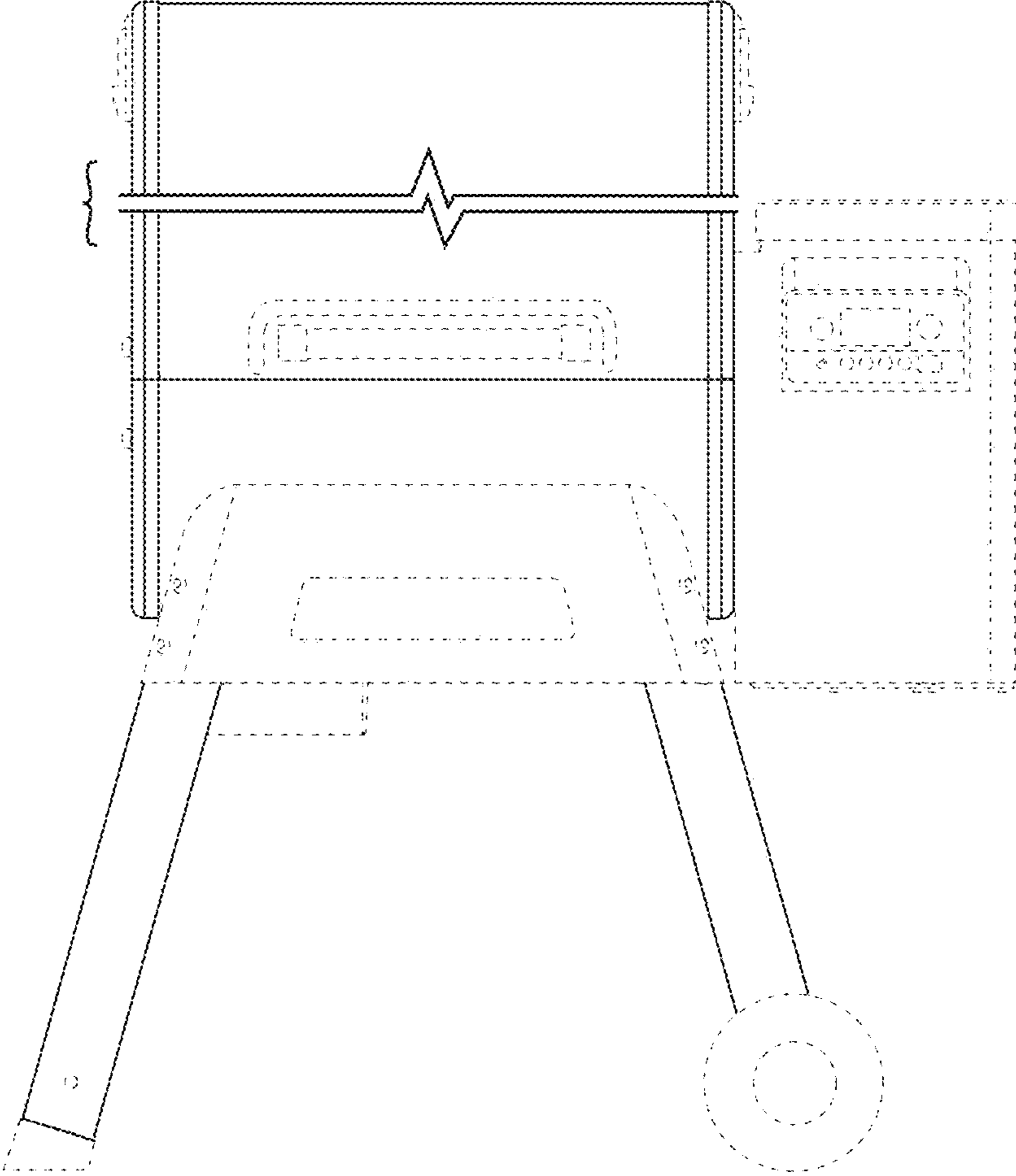


FIG. 2

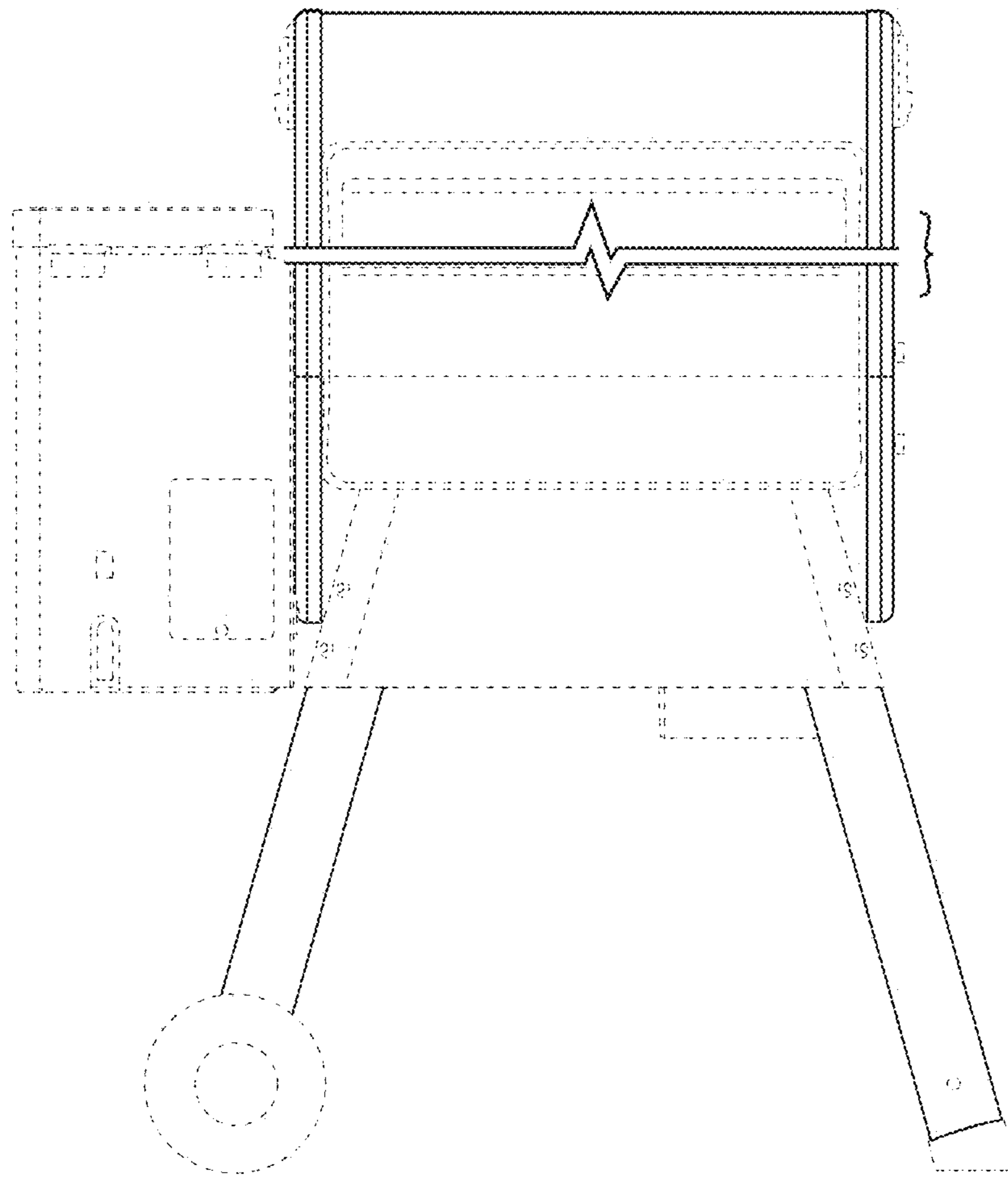


FIG. 3

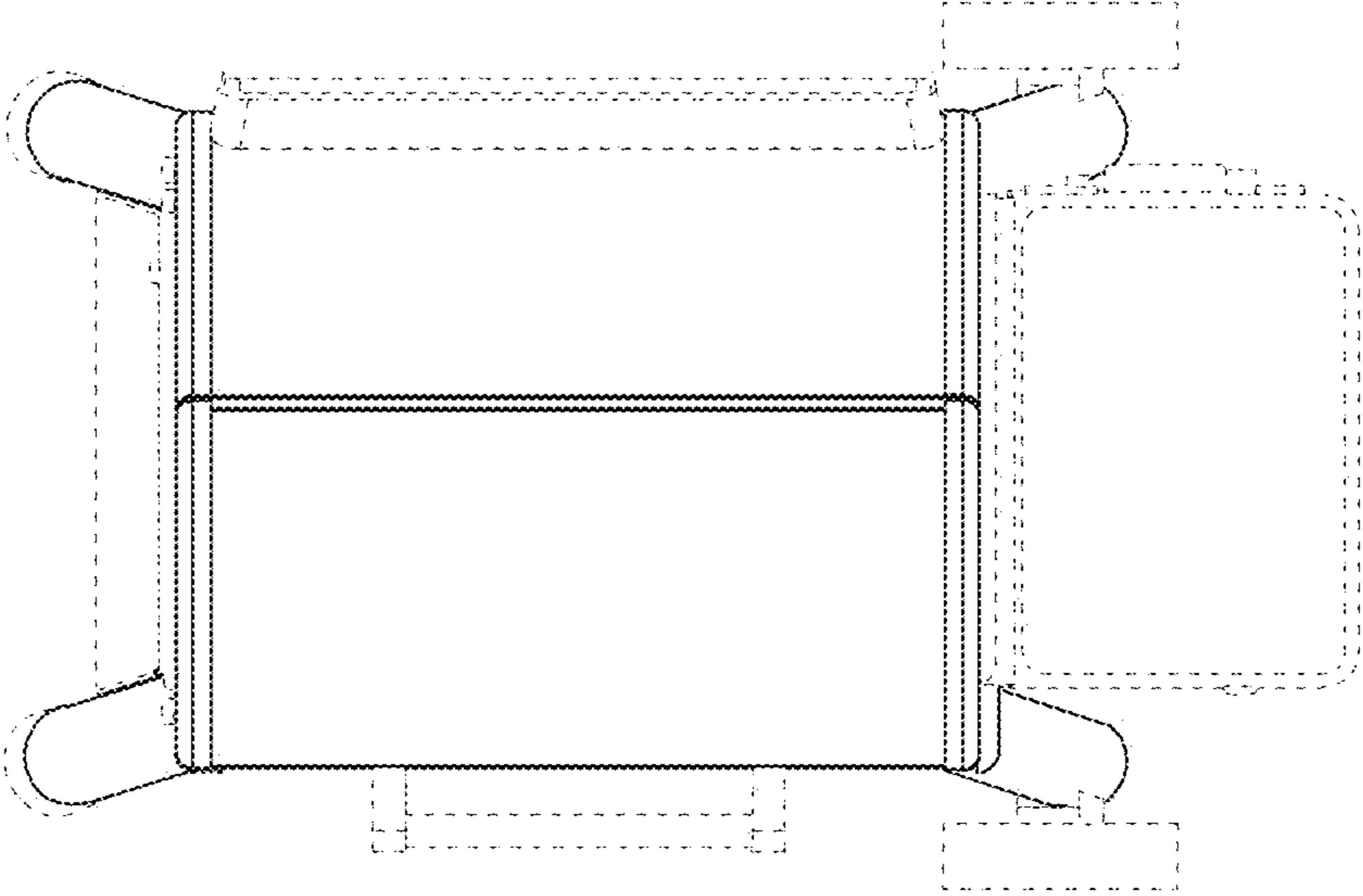


FIG. 4

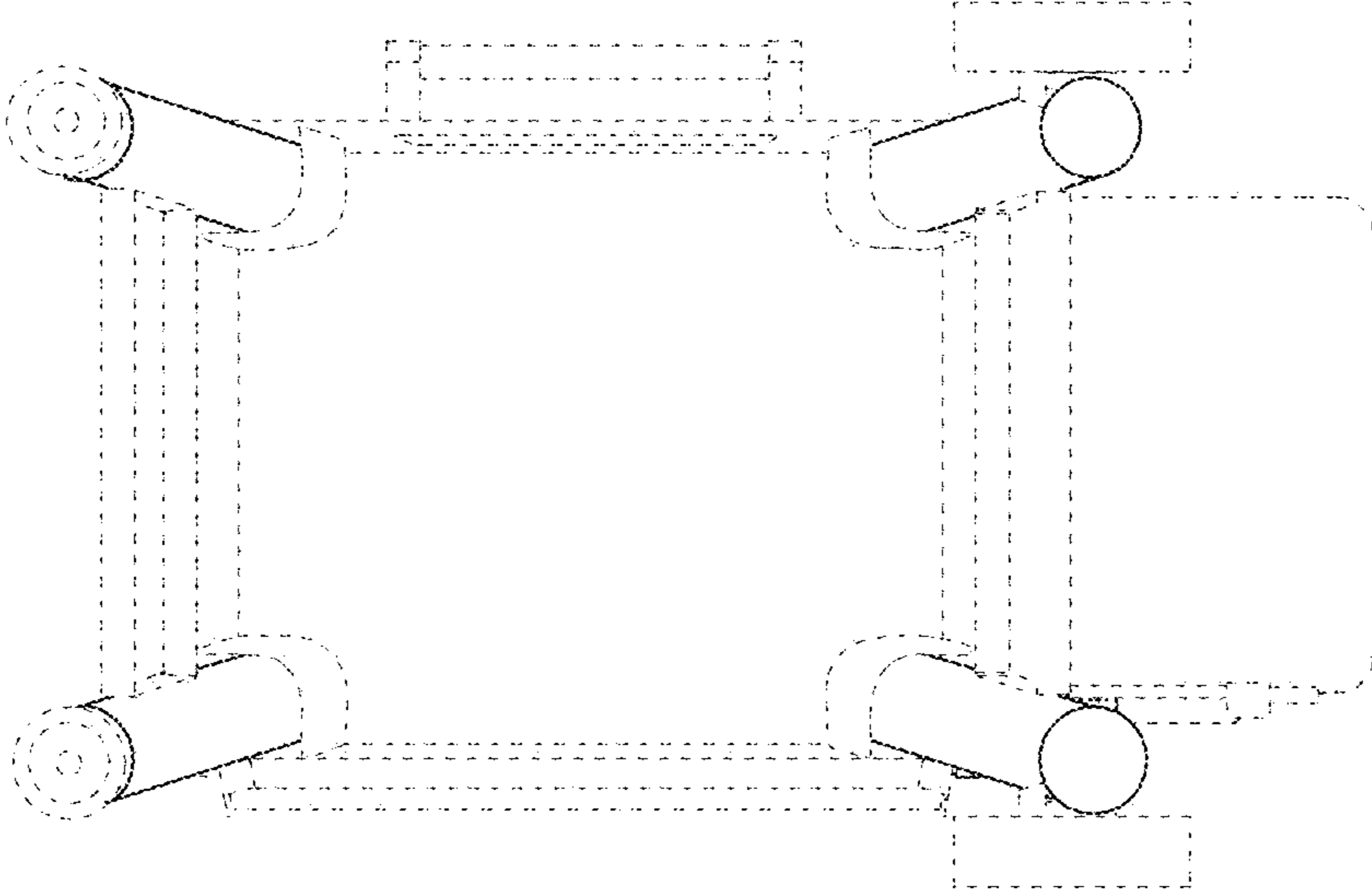


FIG. 5



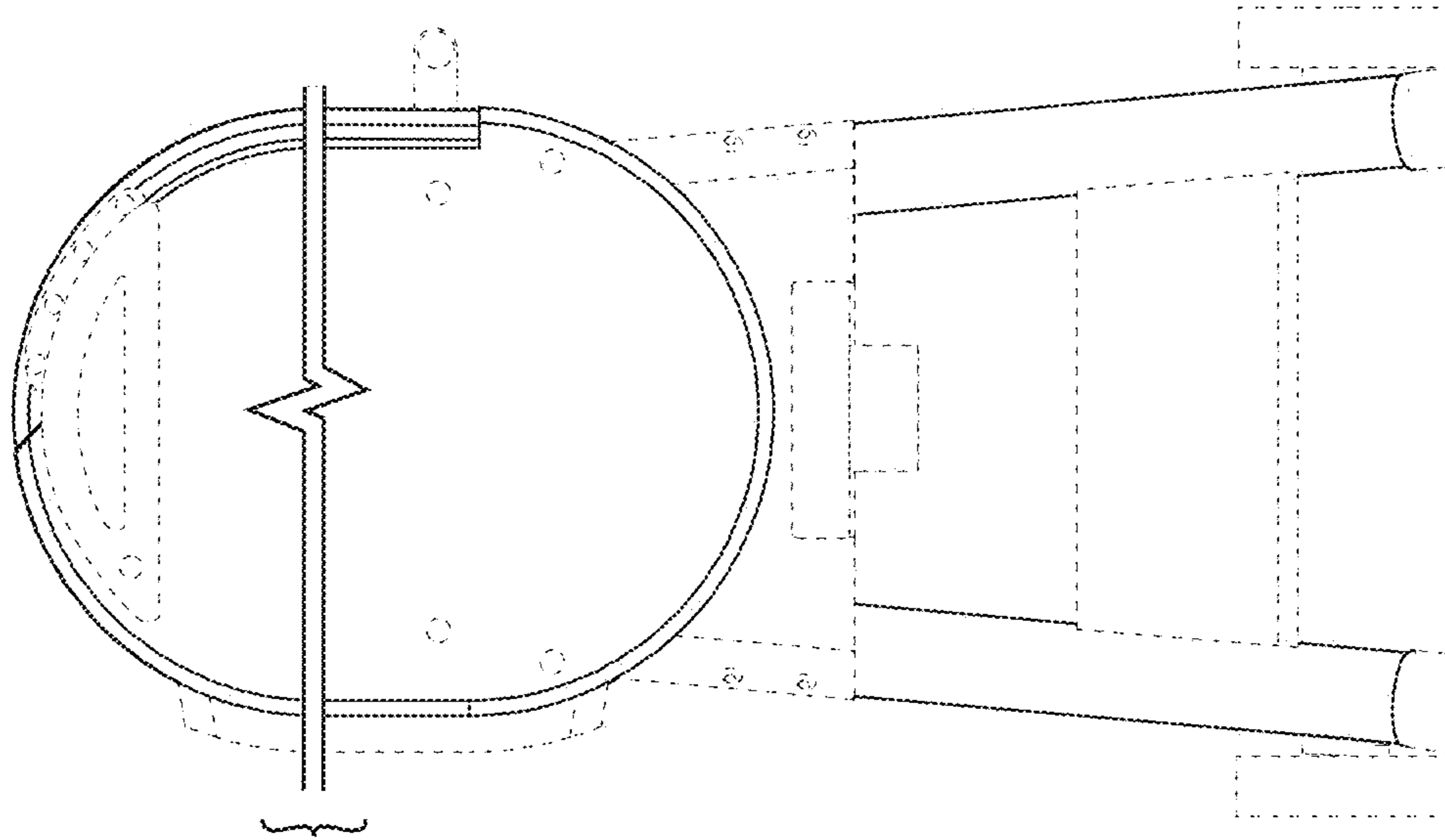


FIG. 6

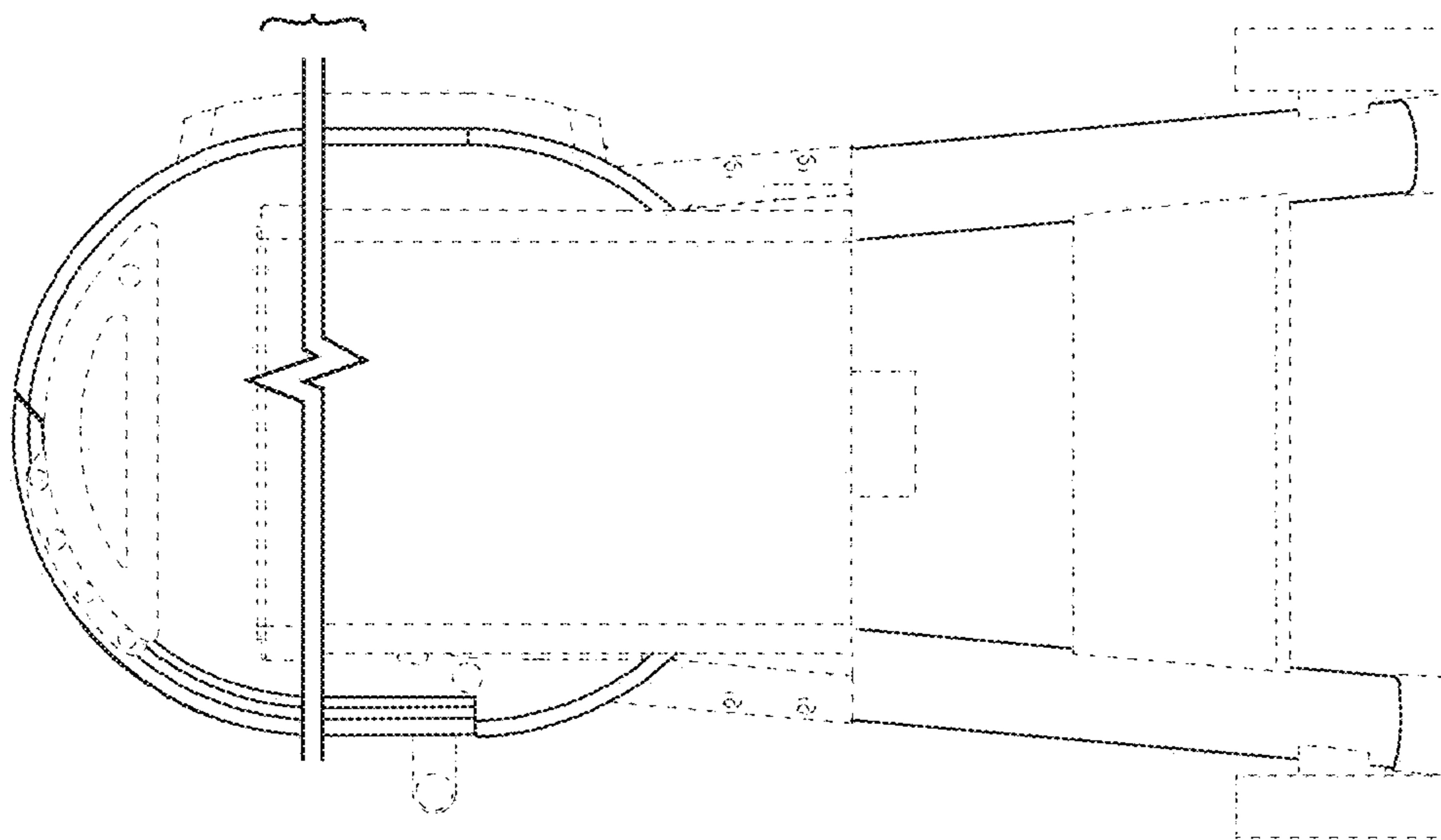


FIG. 7