



US00D901242S

(12) **United States Design Patent**  
**McConnell et al.**

(10) **Patent No.:** **US D901,242 S**

(45) **Date of Patent:** **\*\* Nov. 10, 2020**

(54) **FOOD PROCESSING ATTACHMENT**

(71) Applicant: **WHIRLPOOL CORPORATION**,  
Benton Harbor, MI (US)

(72) Inventors: **John W. McConnell**, St. Joseph, MI  
(US); **Wenkai Wu**, Aurora, IL (US)

(73) Assignee: **Whirlpool Corporation**, Benton  
Harbor, MI (US)

(\*\*) Term: **15 Years**

(21) Appl. No.: **29/740,104**

(22) Filed: **Jul. 1, 2020**

**Related U.S. Application Data**

(63) Continuation of application No. 29/713,992, filed on  
Nov. 20, 2019, now Pat. No. Des. 891,862, which is  
a continuation of application No. 29/698,967, filed on  
Jul. 22, 2019, now Pat. No. Des. 874,219, which is a  
continuation of application No. 29/663,694, filed on  
(Continued)

(51) **LOC (12) Cl.** ..... **31-00**

(52) **U.S. Cl.**  
USPC ..... **D7/401.2; D7/381**

(58) **Field of Classification Search**

USPC ..... D7/372, 376–386, 401.2, 665–666, 669,  
D7/678–679, 693–694

CPC ..... A01F 2015/07; A01F 2015/077; A01F  
2015/0775; A23N 1/00; A23N 1/02;  
A23N 4/12; B26D 3/185; B26D 1/06;  
A47J 17/16; A47J 19/00; A47J 19/005;  
A47J 19/02; A47J 19/04; A47J 19/06;  
A47J 42/32; A47J 42/34; A47J 42/36;  
A47J 43/044; A47J 43/25; A47J 43/255;  
B01F 7/26; B01F 7/28; B01F 11/0082;  
B01F 13/04; B02C 13/00; B02C 13/02;  
B02C 13/10; B02C 18/06; B02C 18/26;  
B02C 18/30; B02C 18/302; B02C 18/304;  
B02C 18/305; B02C 25/00; B02C  
2002/00; B02C 2013/14; B02C 2013/145;

B02C 2013/18; B02C 2013/1807; B02C  
2013/1857; B02C 2013/1864; B30B 9/00;  
B30B 9/16; B30B 9/18; B30B 9/20;  
B30B 9/26; B30B 9/205; B30B 9/207  
See application file for complete search history.

(56) **References Cited**

**U.S. PATENT DOCUMENTS**

242,660 A 6/1881 Law  
256,214 A 4/1882 Heizmann  
(Continued)

*Primary Examiner* — Ricky Pham

(74) *Attorney, Agent, or Firm* — Price Heneveld LLP

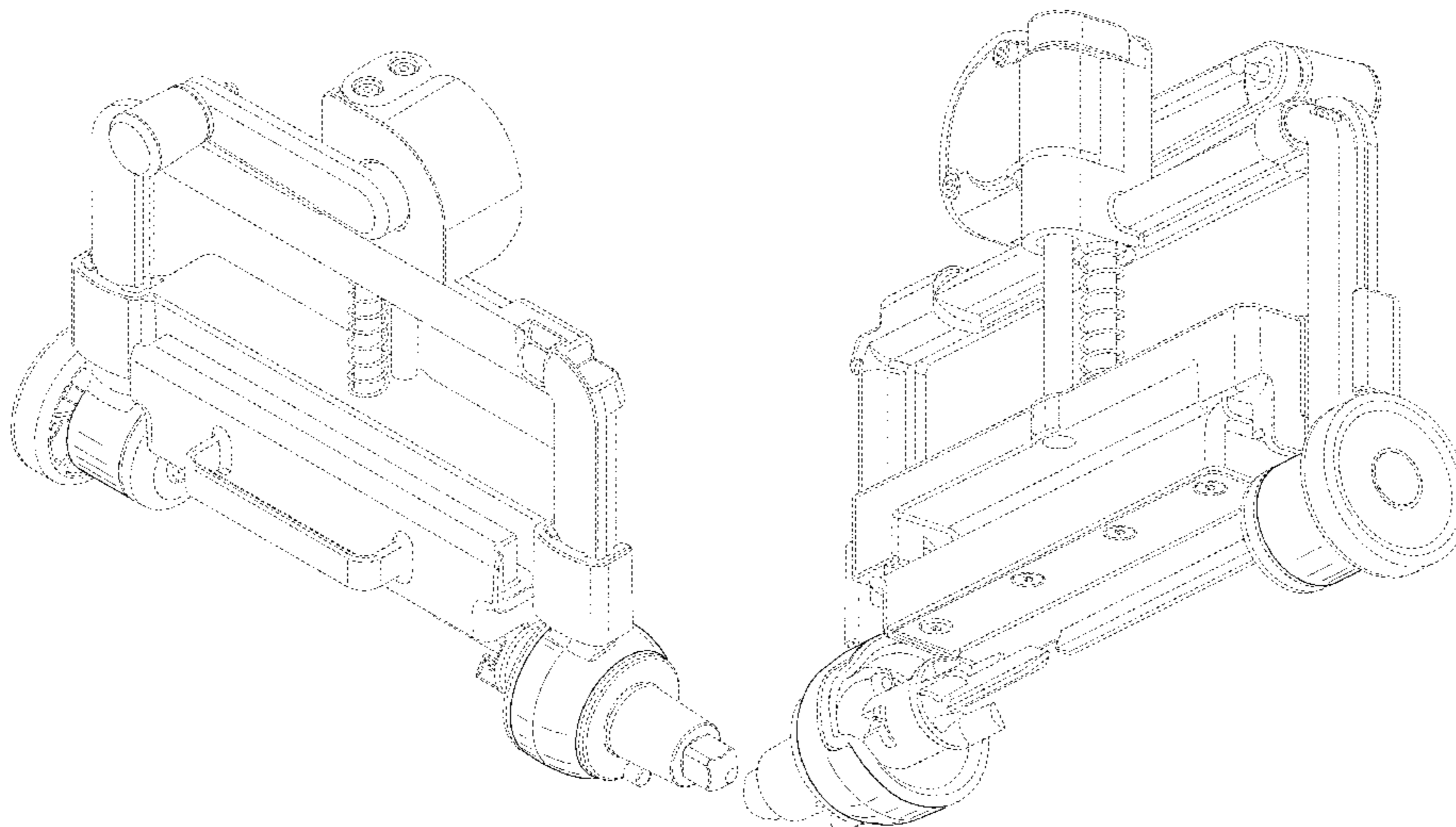
(57) **CLAIM**

We claim the ornamental design for a food processing  
attachment, as shown and described.

**DESCRIPTION**

FIG. 1 is a top perspective view of the food processing  
attachment of the present invention;  
FIG. 2 is bottom perspective view of the food processing  
attachment of the present invention;  
FIG. 3 is a first side elevation view of the food processing  
attachment of the present invention;  
FIG. 4 is a second side elevation view of the food processing  
attachment of the present invention;  
FIG. 5 is a third side elevation view of the food processing  
attachment of the present invention;  
FIG. 6 is a fourth side elevation view of the food processing  
attachment of the present invention;  
FIG. 7 is a top plan view of the food processing attachment  
of the present invention; and,  
FIG. 8 is a bottom plan view of the food processing  
attachment of the present invention.  
The broken lines in the figures are for contextual purposes  
or show the environment and form no part of the claimed  
design.

**1 Claim, 7 Drawing Sheets**



**Related U.S. Application Data**

Sep. 18, 2018, now Pat. No. Des. 861,425, which is a continuation of application No. 29/589,335, filed on Dec. 30, 2016, now Pat. No. Des. 831,421.

(56)

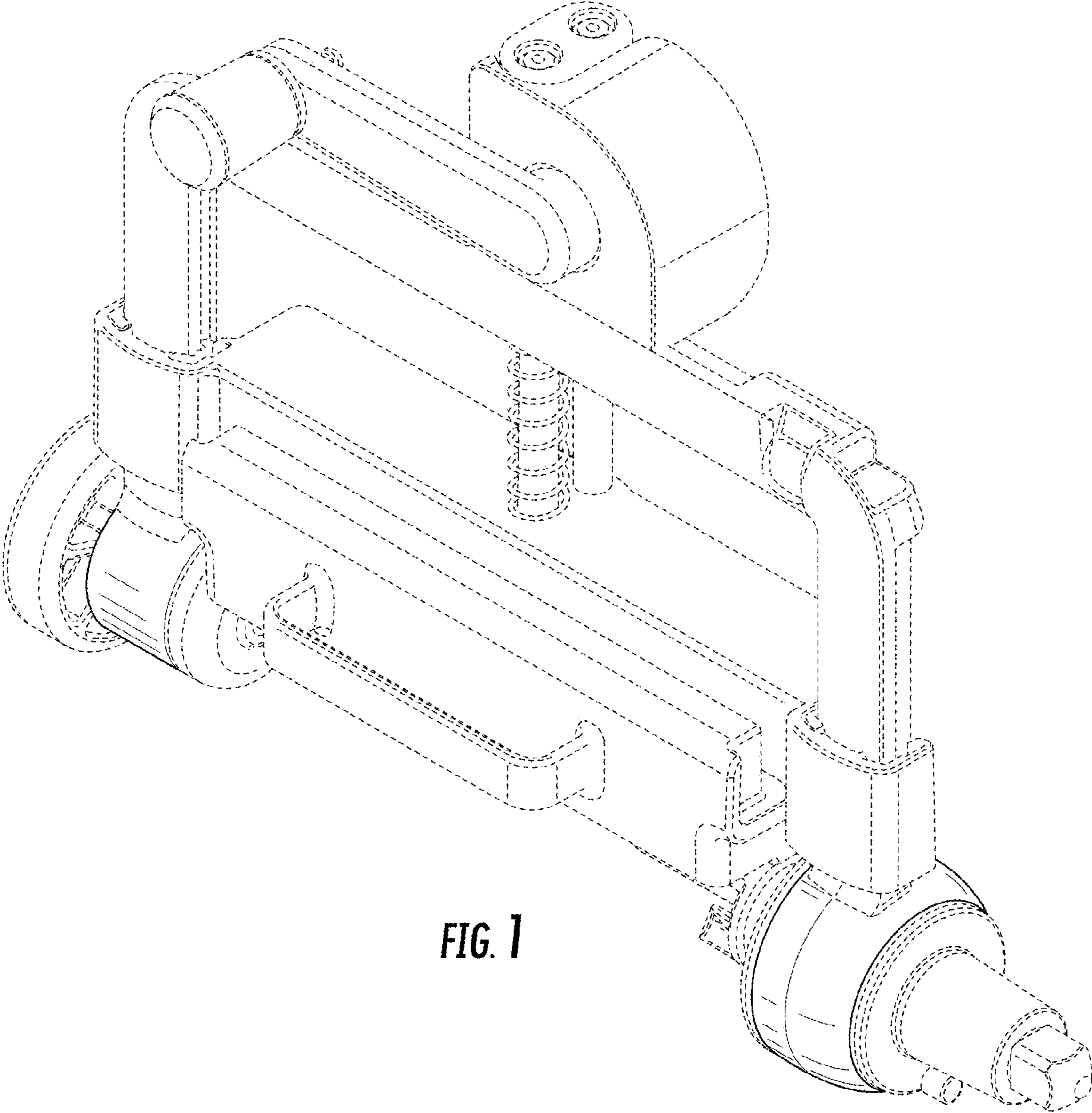
**References Cited**

U.S. PATENT DOCUMENTS

292,554 A 1/1884 Geer  
 303,490 A 8/1884 Clark  
 310,196 A 1/1885 Goodell  
 315,158 A 4/1885 Oaks  
 430,139 A 6/1890 Meyer  
 633,932 A 9/1899 Williamson  
 954,340 A 4/1910 Phillips  
 959,137 A 5/1910 Hinchliffe  
 1,008,555 A 11/1911 Mower  
 1,256,751 A \* 2/1918 Wenzel ..... A47J 17/16  
 99/598  
 1,511,137 A 10/1924 Pichler  
 1,956,492 A 4/1934 China  
 1,966,186 A 7/1934 Remnsnider  
 2,056,843 A 10/1936 Erro  
 2,299,092 A \* 10/1942 Johnson ..... B26D 3/185  
 83/425.1  
 2,307,829 A 1/1943 Ellis  
 2,361,241 A 10/1944 Rogers  
 2,375,489 A 5/1945 Oskow  
 2,410,683 A 11/1946 Marquez  
 2,464,993 A 3/1949 Ross  
 2,489,581 A 11/1949 Mason  
 2,508,868 A 5/1950 Ross  
 2,566,568 A 9/1951 Ives  
 2,693,210 A 11/1954 Gustafson  
 3,091,269 A 5/1963 Burns et al.  
 RE26,684 E \* 10/1969 Mason ..... B26D 3/185  
 99/592  
 3,881,406 A 5/1975 Perez  
 3,952,621 A 4/1976 Chambos  
 4,038,915 A 8/1977 Saito  
 4,579,028 A 4/1986 Neidhardt

D370,383 S \* 6/1996 Brefka ..... D7/376  
 5,557,998 A 9/1996 Schwartz et al.  
 5,690,022 A 11/1997 Chai  
 5,950,528 A 9/1999 Wang  
 D414,983 S 10/1999 Wong  
 6,053,098 A 4/2000 Yamamoto  
 6,148,719 A \* 11/2000 Poltielov ..... A23N 4/12  
 99/542  
 6,314,849 B1 11/2001 Arrasmith  
 6,516,713 B1 2/2003 Holmander  
 6,523,464 B1 2/2003 Widelo  
 6,854,383 B2 2/2005 Wang  
 7,032,491 B2 4/2006 Fischer  
 D531,850 S \* 11/2006 Wong ..... D7/372  
 7,207,510 B2 \* 4/2007 Wong ..... B02C 18/305  
 241/82.1  
 D669,324 S 10/2012 Bodum  
 8,596,176 B1 12/2013 Wagner  
 D715,094 S \* 10/2014 Cornu ..... D7/372  
 D725,440 S \* 3/2015 Kim ..... D7/665  
 D773,894 S 12/2016 Benoit et al.  
 D779,294 S 2/2017 Friedman  
 D793,181 S 8/2017 Wong  
 9,731,428 B2 8/2017 Levine et al.  
 D796,917 S 9/2017 Wong  
 D797,495 S 9/2017 McConnell et al.  
 D809,881 S 2/2018 Exley  
 10,021,904 B1 7/2018 Fikes  
 D830,140 S 10/2018 Chen  
 D831,421 S 10/2018 McConnell et al.  
 10,183,409 B2 1/2019 Bagley et al.  
 D842,024 S 3/2019 Li  
 D858,223 S 9/2019 Feng  
 D861,425 S 10/2019 McConnell et al.  
 10,433,559 B2 \* 10/2019 DeVito ..... B26D 1/06  
 D874,219 S 2/2020 McConnell et al.  
 D885,822 S \* 6/2020 McConnell ..... D7/372  
 2004/0261634 A1 12/2004 Wang  
 2008/0314262 A1 12/2008 Stark  
 2012/0090480 A1 4/2012 Caspar et al.  
 2016/0250768 A1 9/2016 Levine et al.  
 2016/0257013 A1 9/2016 Exley

\* cited by examiner



**FIG. 1**

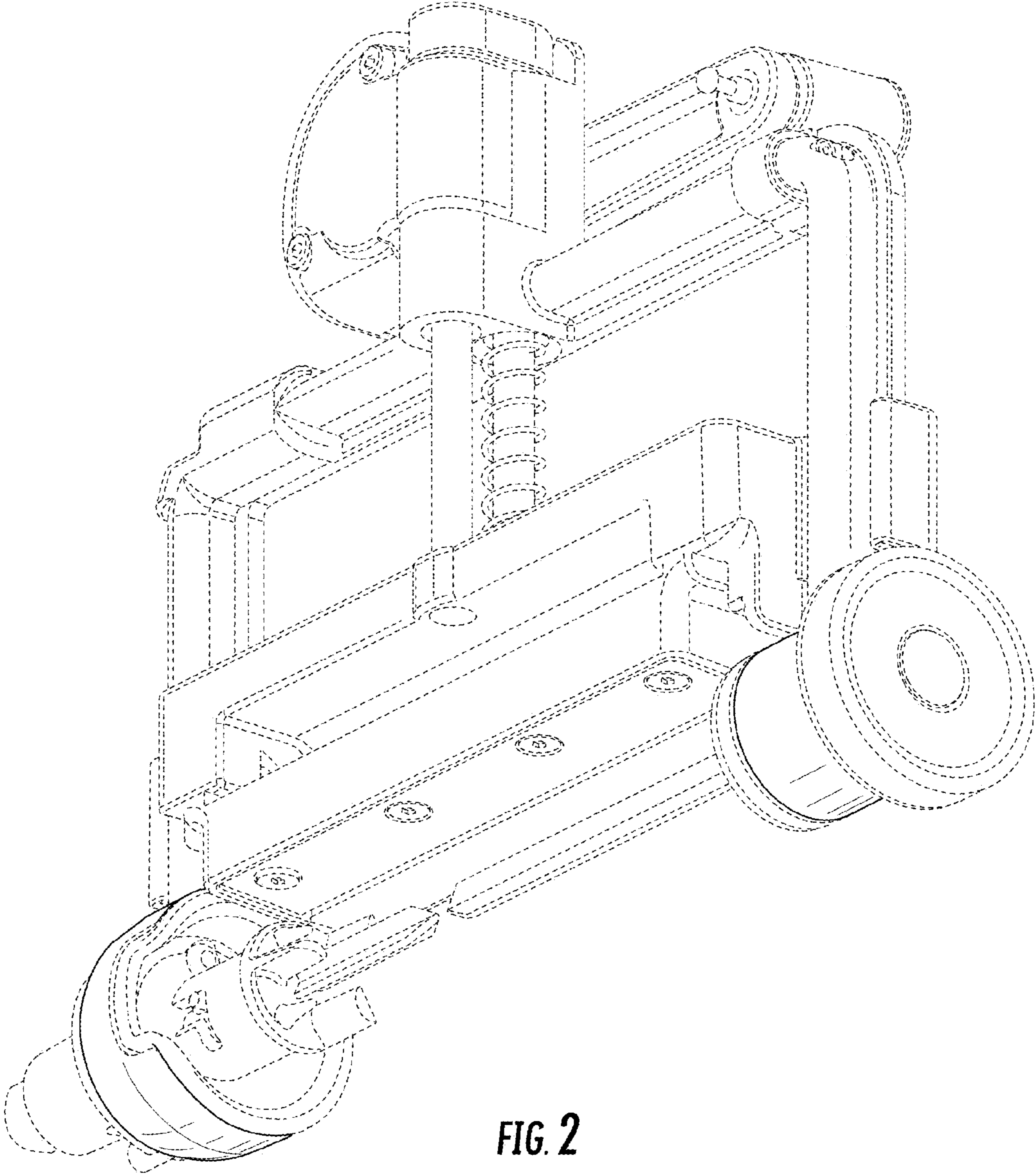


FIG. 2

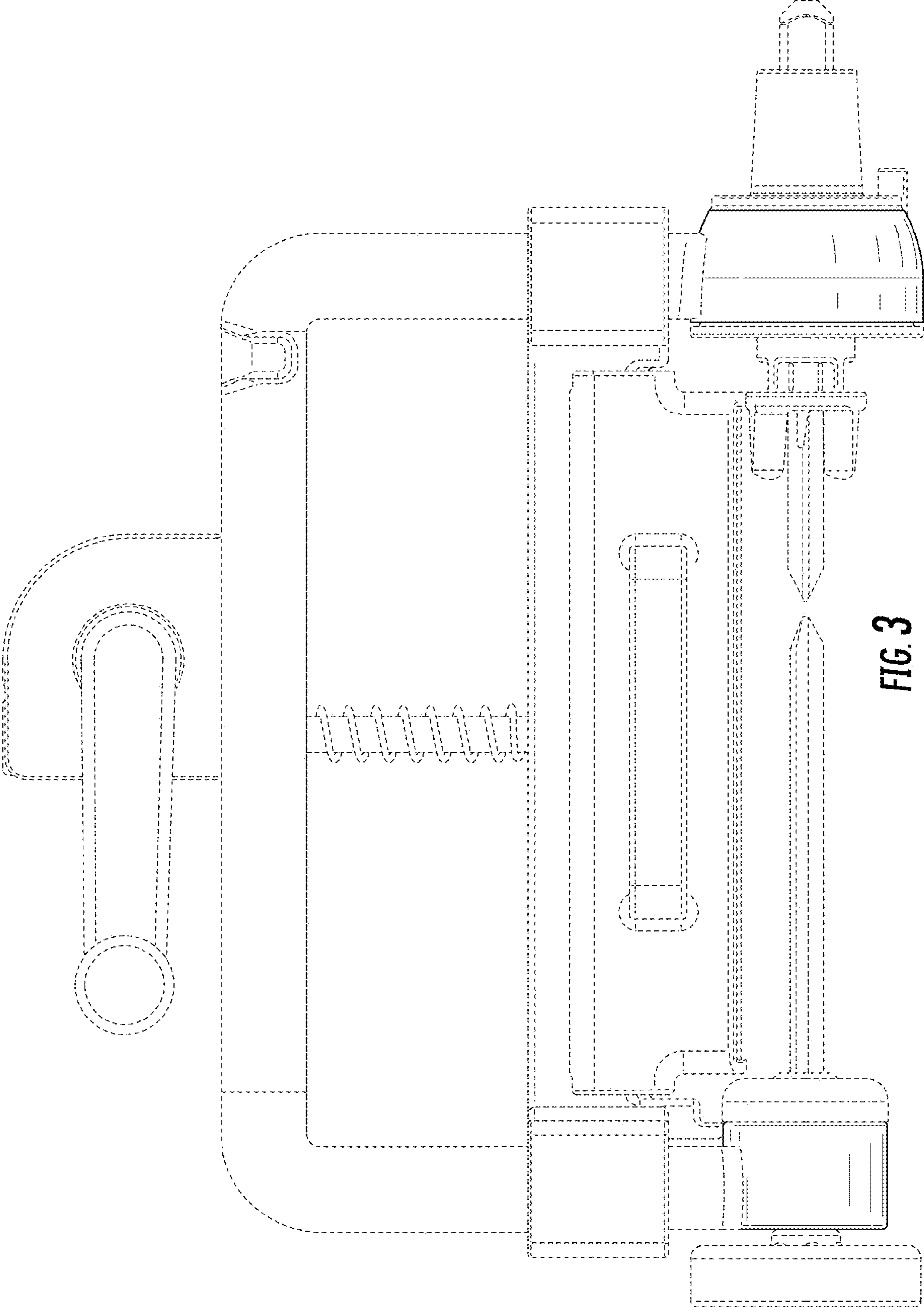


FIG. 3

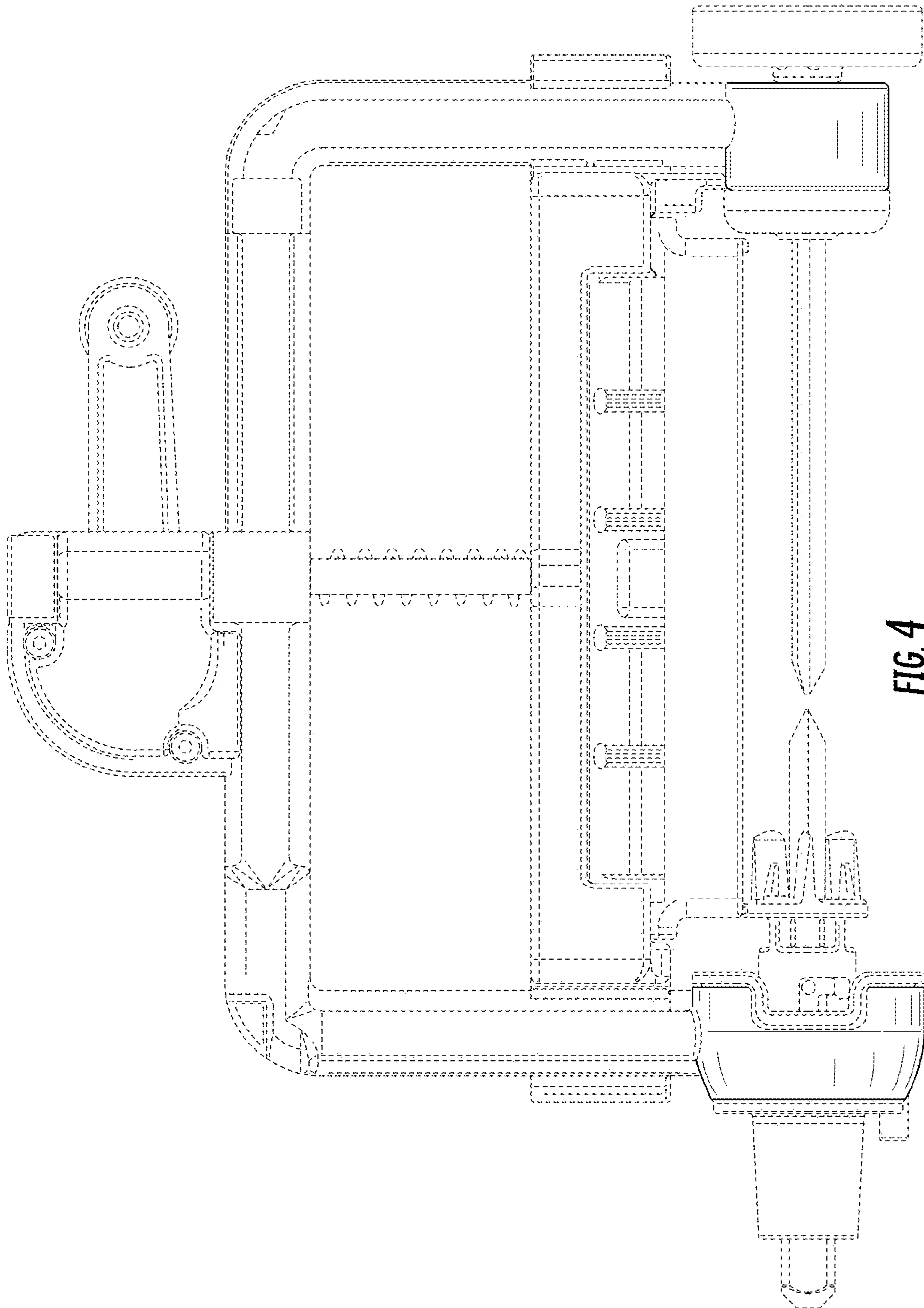
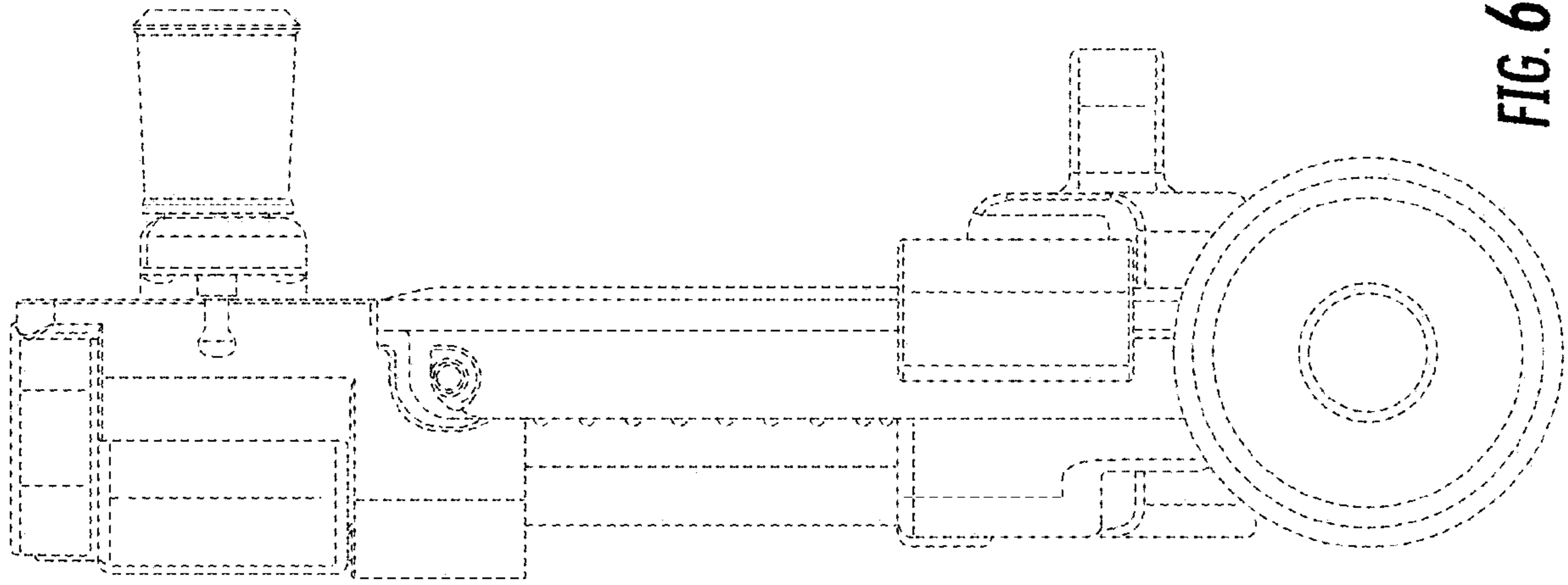
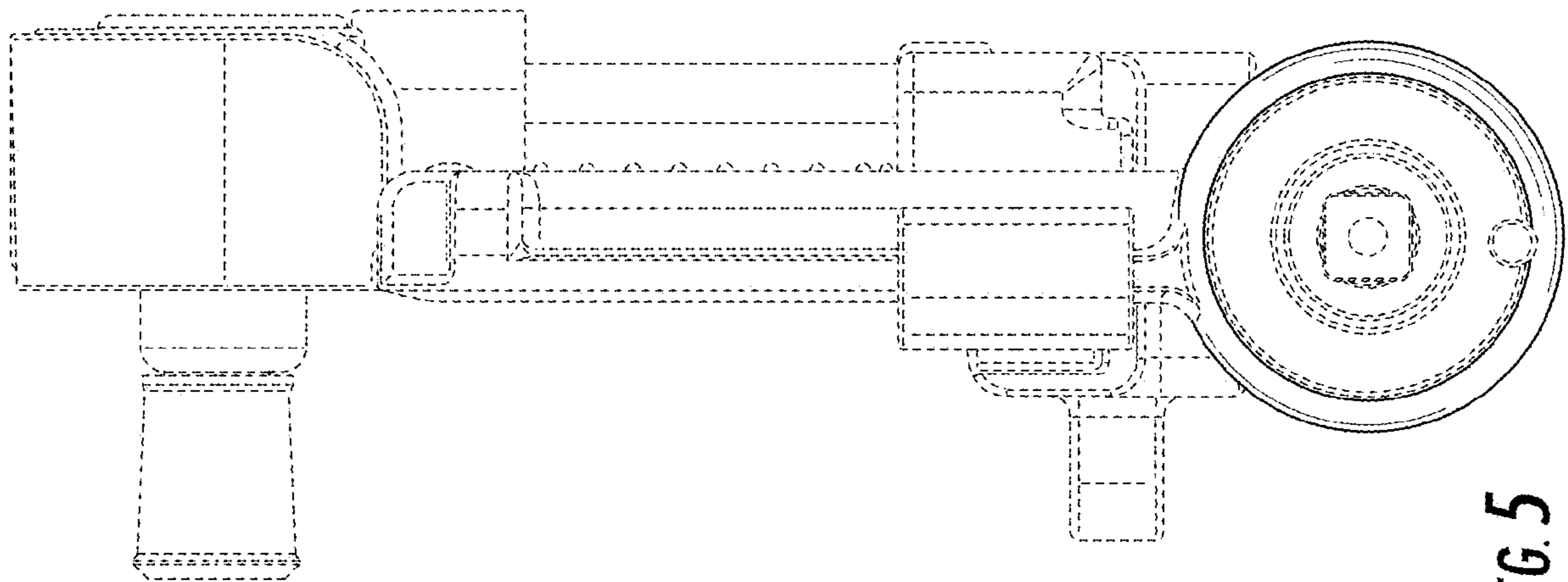


FIG. 4



**FIG. 6**



**FIG. 5**

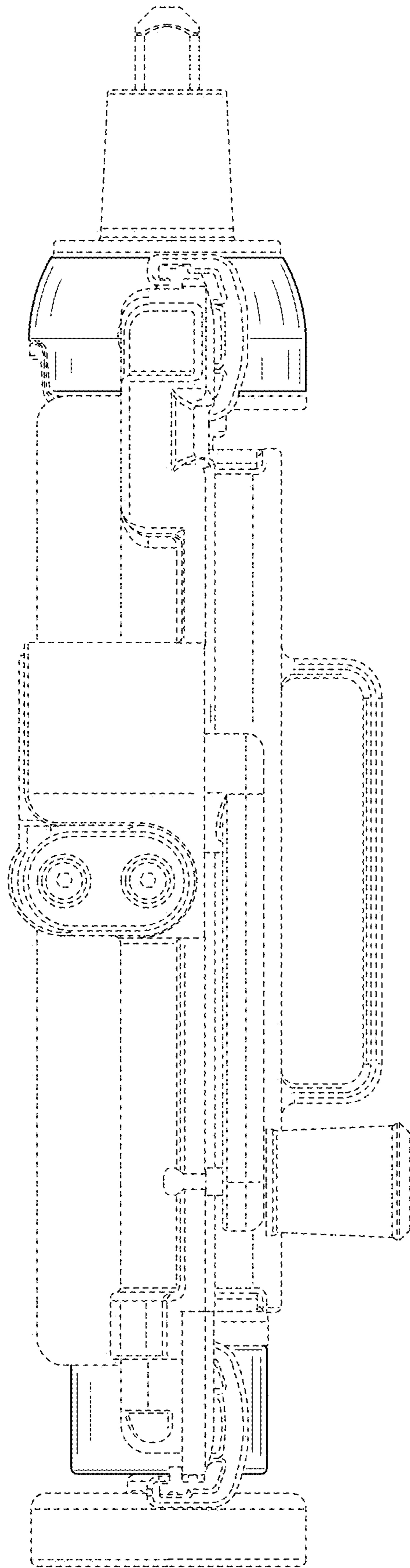


FIG. 7



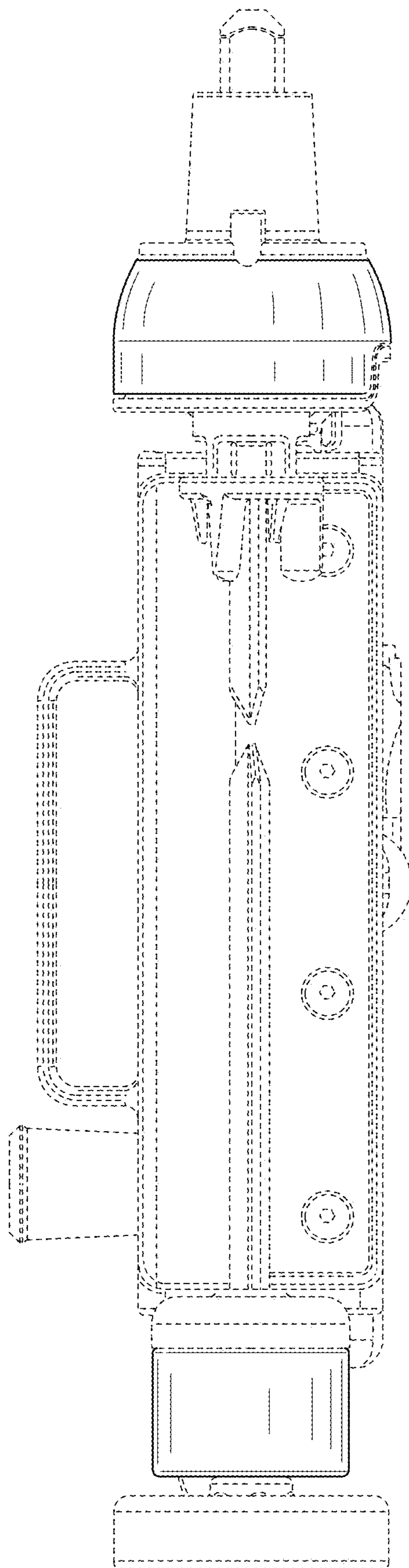


FIG. 8