



US00D901240S

(12) **United States Design Patent** (10) **Patent No.:** **US D901,240 S**
Armistead et al. (45) **Date of Patent:** **** Nov. 10, 2020**

(54) **CONTAINER FILTER** 8,221,813 B2 * 7/2012 Boul A47J 31/08
210/455
(71) Applicant: **The Decor Corporation Pty Ltd,** D694,579 S * 12/2013 Khubani D7/400
Dandenong South (AU) 8,597,512 B2 * 12/2013 Sturgess C02F 1/002
210/245
(72) Inventors: **Justin Armistead,** Keysborough (AU); D698,649 S * 2/2014 Quint D7/400
Alexander Schoenmakers, Keysborough (AU); D717,594 S * 11/2014 Taketani D7/399
George Kotsiopoulos, Keysborough (AU); 9,149,149 B2 * 10/2015 Oh A47J 31/0673
Toby Hartley, Keysborough (AU) D764,864 S * 8/2016 Hertaus D7/400
10,602,872 B2 * 3/2020 Liu A47G 19/127

(73) Assignee: **The Decor Corporation Pty Ltd,**
Dandenong South (AU)

(**) Term: **15 Years**

(21) Appl. No.: **29/668,037**

(22) Filed: **Oct. 26, 2018**

(30) **Foreign Application Priority Data**

Apr. 30, 2018 (AU) 201812518

(51) **LOC (12) Cl.** **07-99**

(52) **U.S. Cl.**
USPC **D7/400; D23/209**

(58) **Field of Classification Search**
USPC D7/399, 400, 300, 309, 310, 667, 700;
99/300; D9/429; D23/207, 209
CPC A47J 31/02; A47J 31/08; A47J 31/005;
A47J 31/061; A47J 31/407; C02F 1/002
See application file for complete search history.

(56) **References Cited**

U.S. PATENT DOCUMENTS

2,257,944 A * 10/1941 Fischbein A47J 31/06
210/497.3
5,125,327 A * 6/1992 Winnington-Ingram
A47G 19/14
99/306

* cited by examiner

Primary Examiner — Marianne N Pandozzi

(74) *Attorney, Agent, or Firm* — Stevens & Showalter
LLP

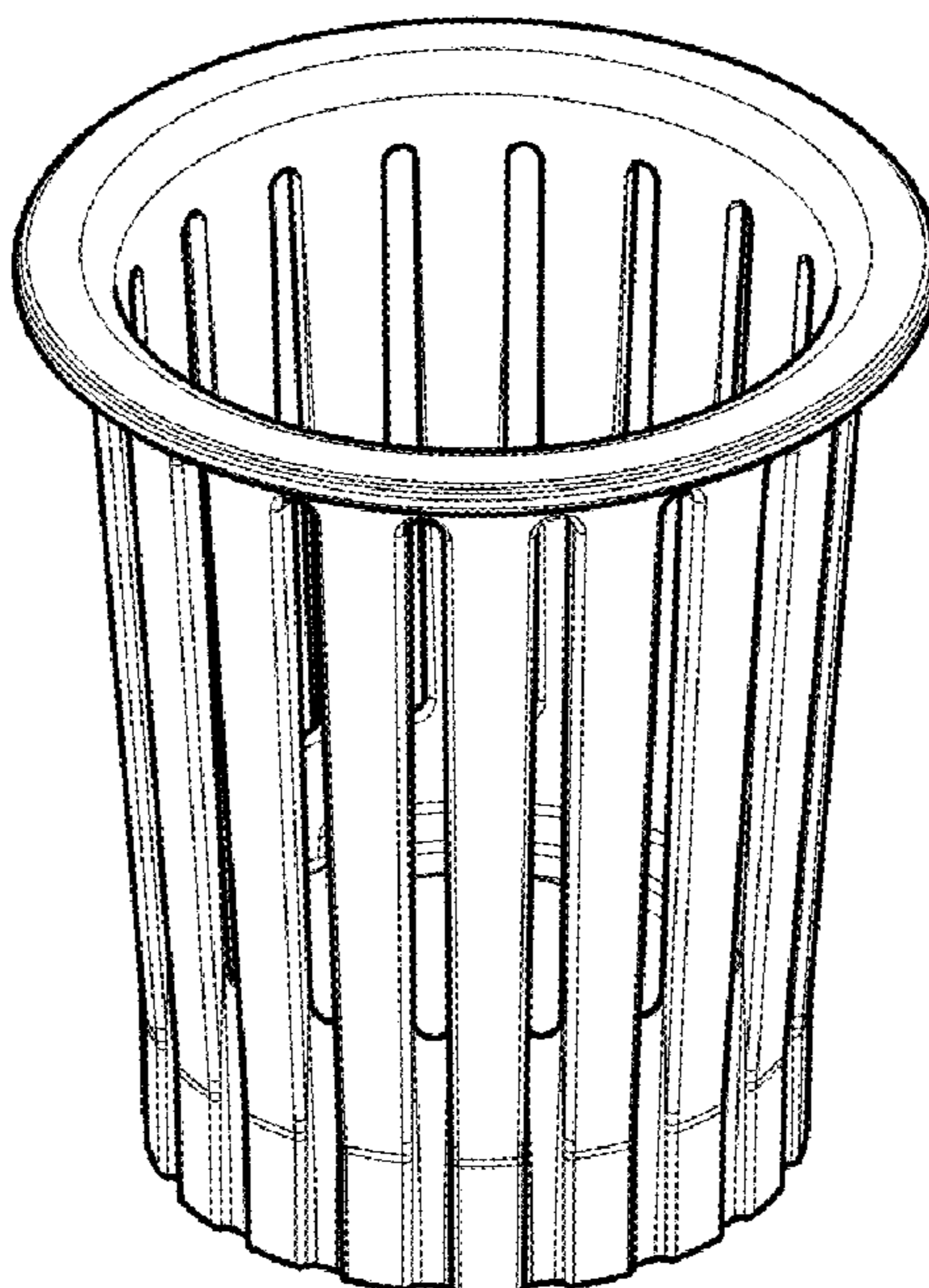
(57) **CLAIM**

The ornamental design for a container filter, as shown.

DESCRIPTION

FIG. 1 is a front perspective view from above of a container filter in accordance with the present invention;
FIG. 2 is a rear perspective view from below thereof;
FIG. 3 is a front view thereof;
FIG. 4 is a rear view thereof;
FIG. 5 is a left side view thereof;
FIG. 6 is a right side view thereof;
FIG. 7 is a top plan view thereof;
FIG. 8 is a bottom plan view thereof; and,
FIG. 9 is a bottom perspective view thereof.

1 Claim, 5 Drawing Sheets



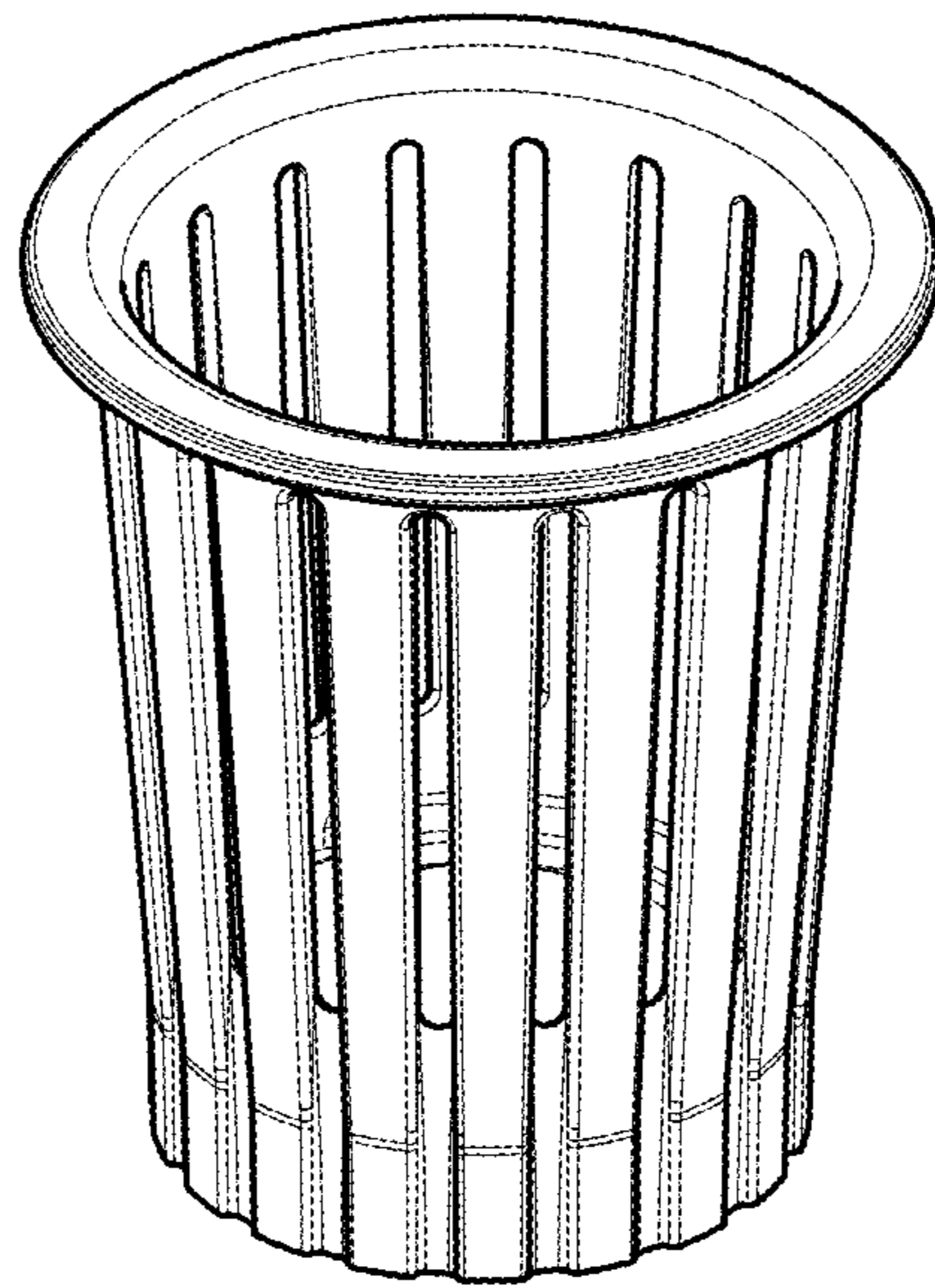


FIG. 1

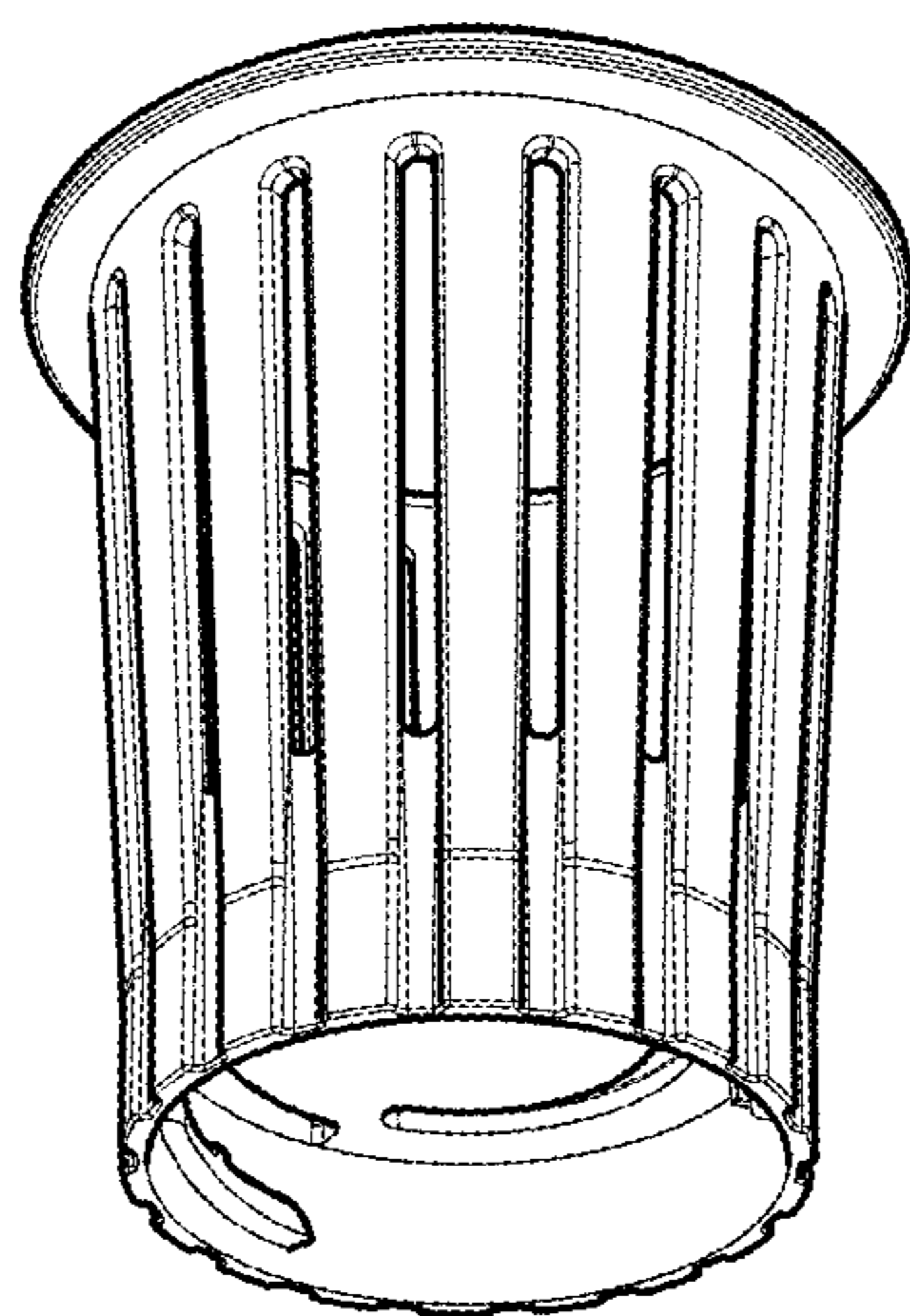


FIG. 2

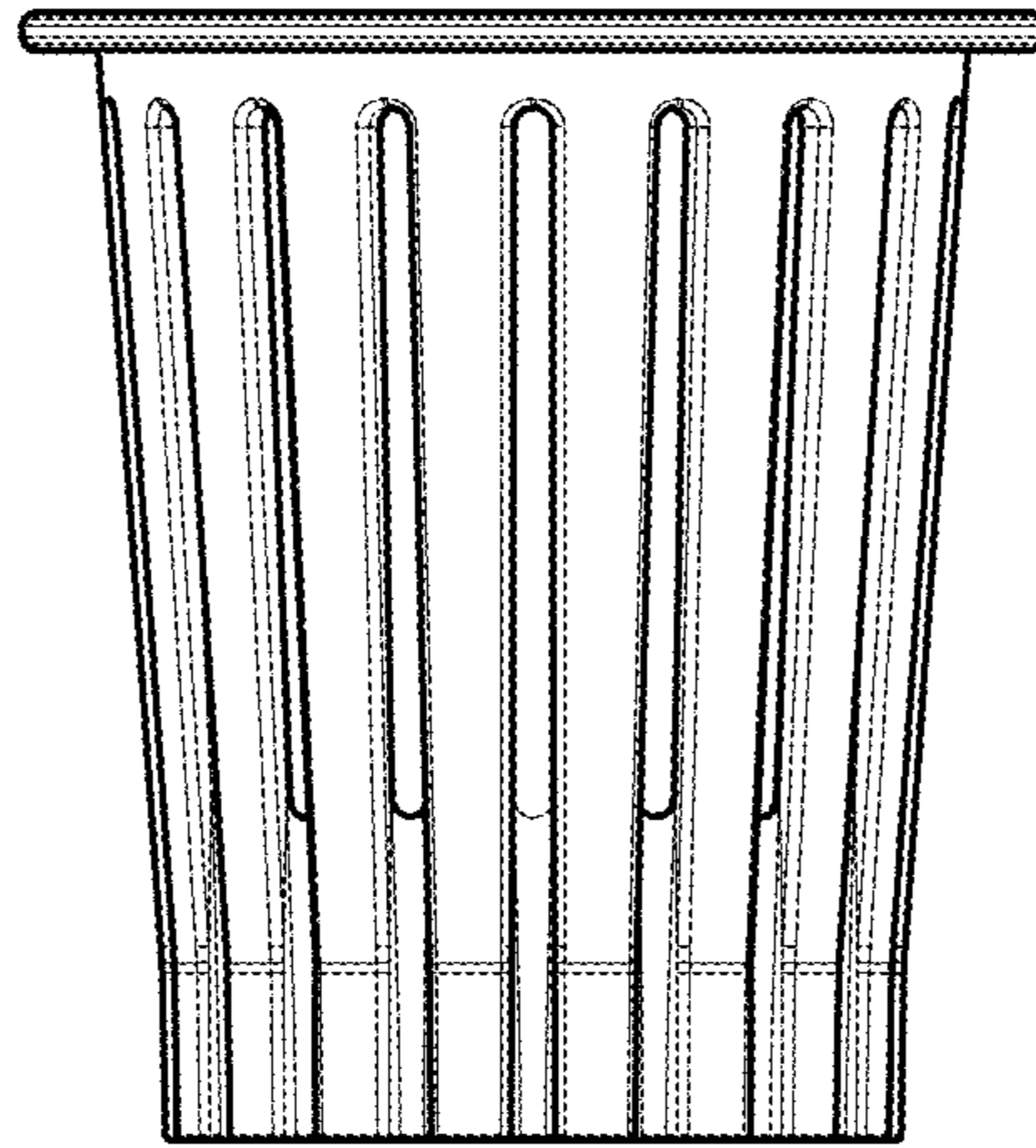


FIG. 3

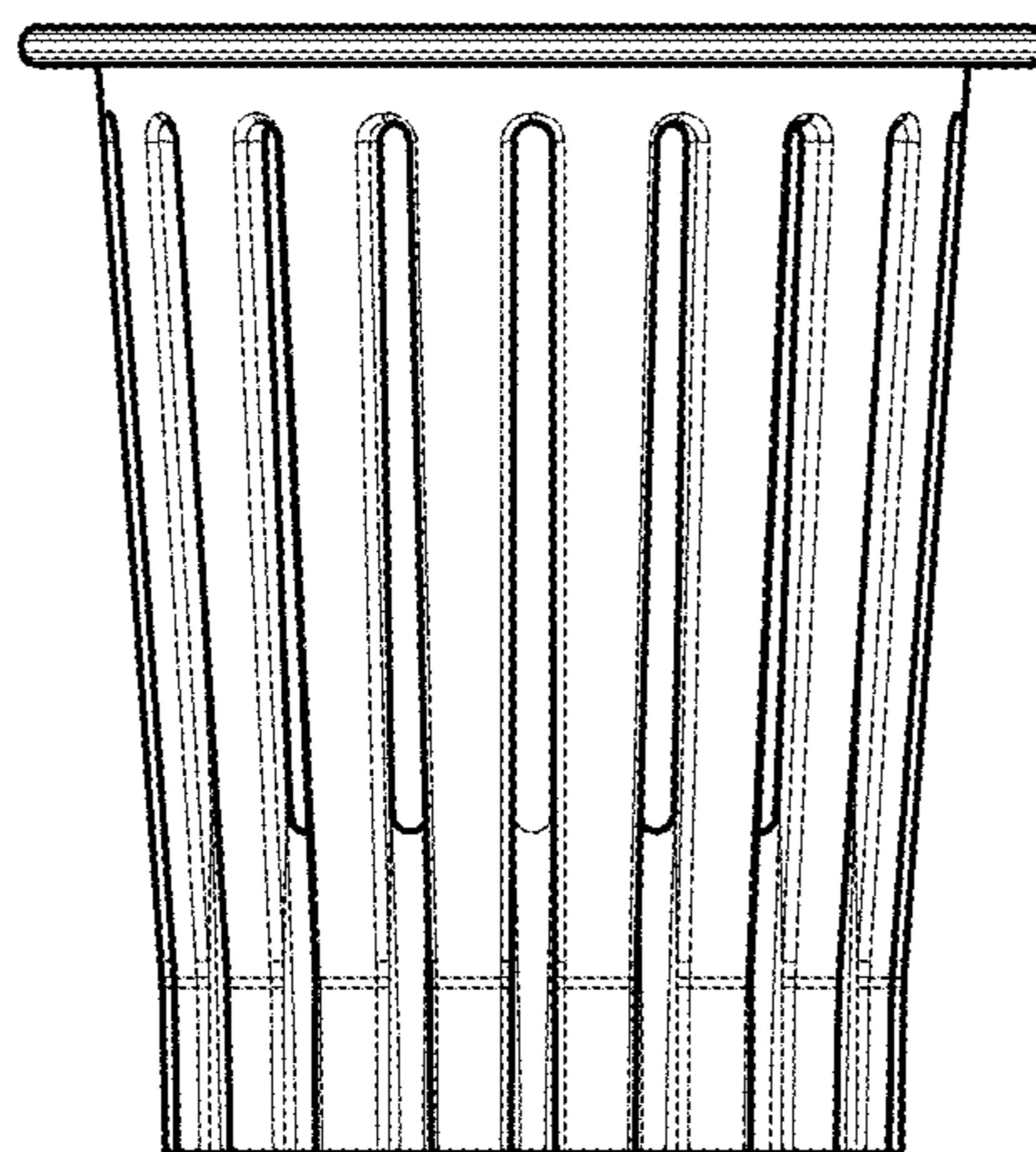


FIG. 4

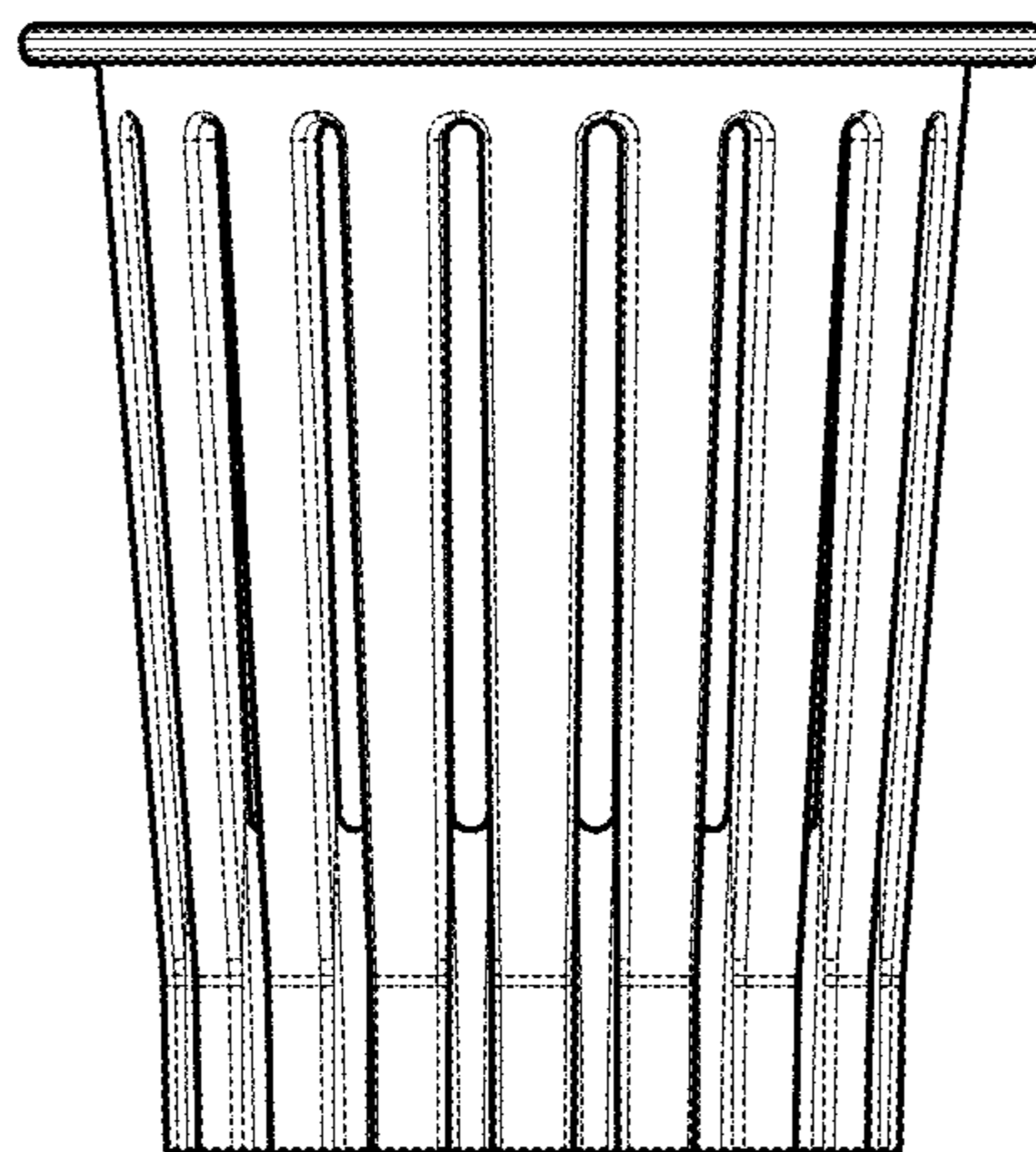


FIG. 5

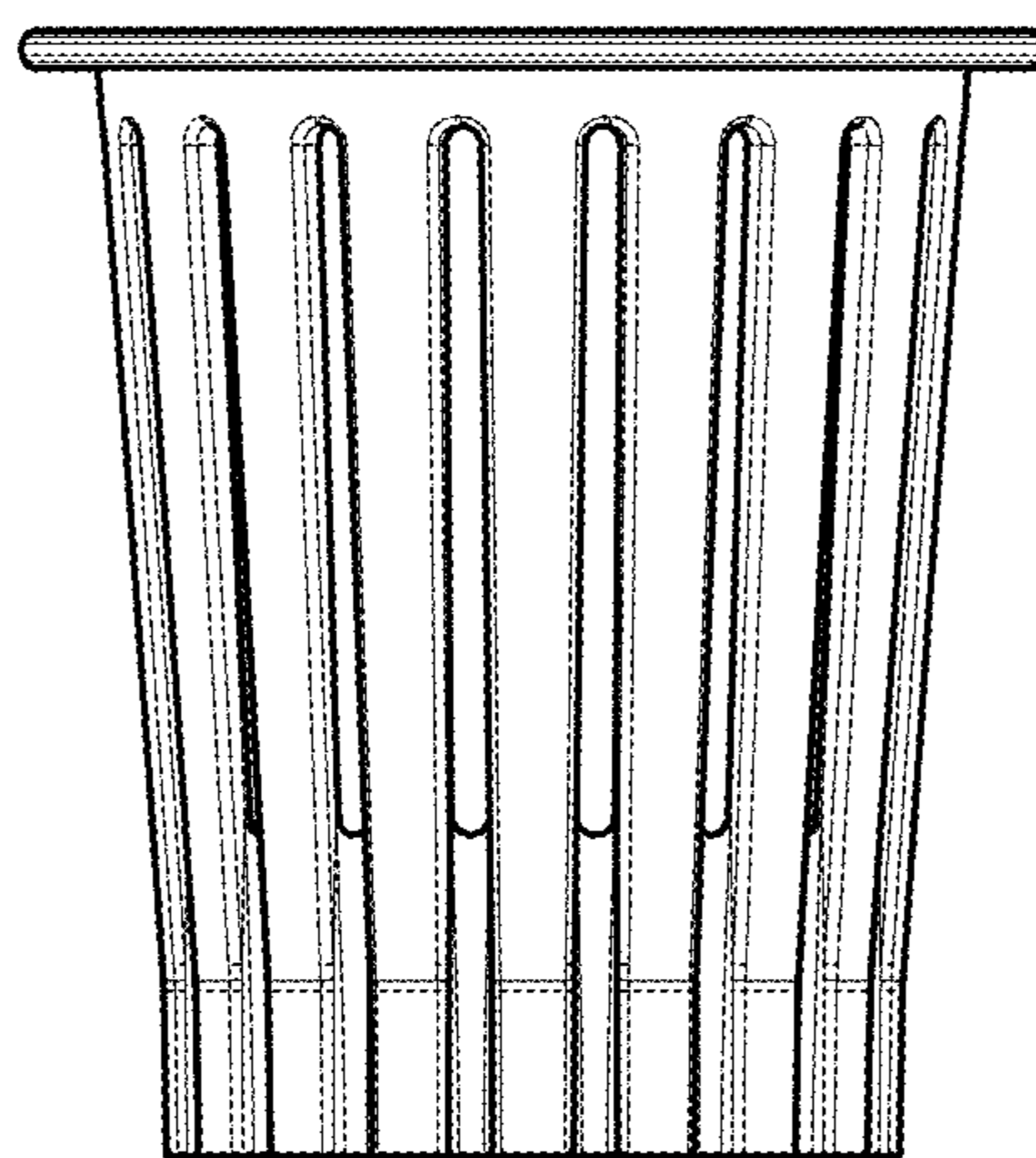


FIG. 6

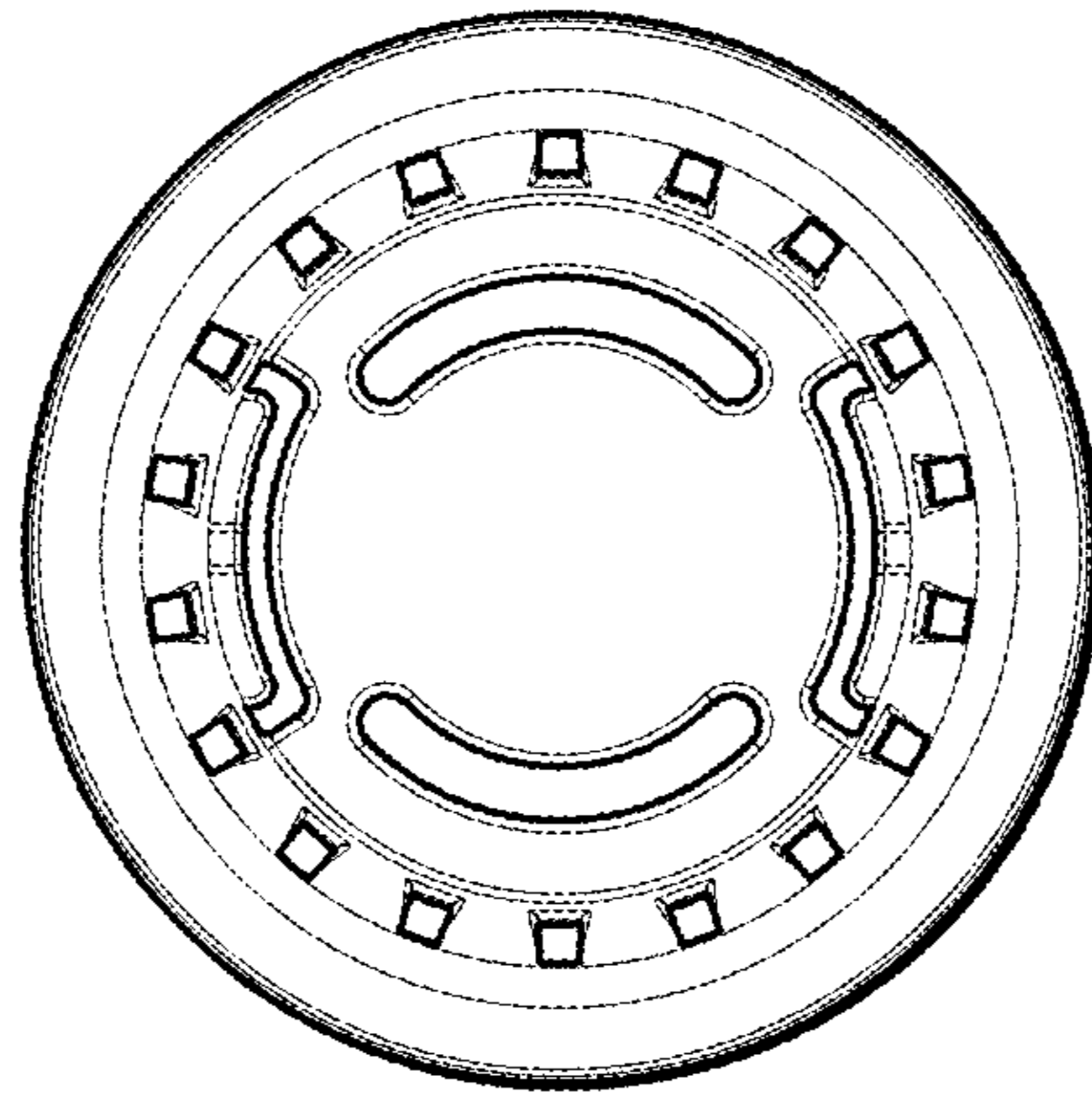


FIG. 7

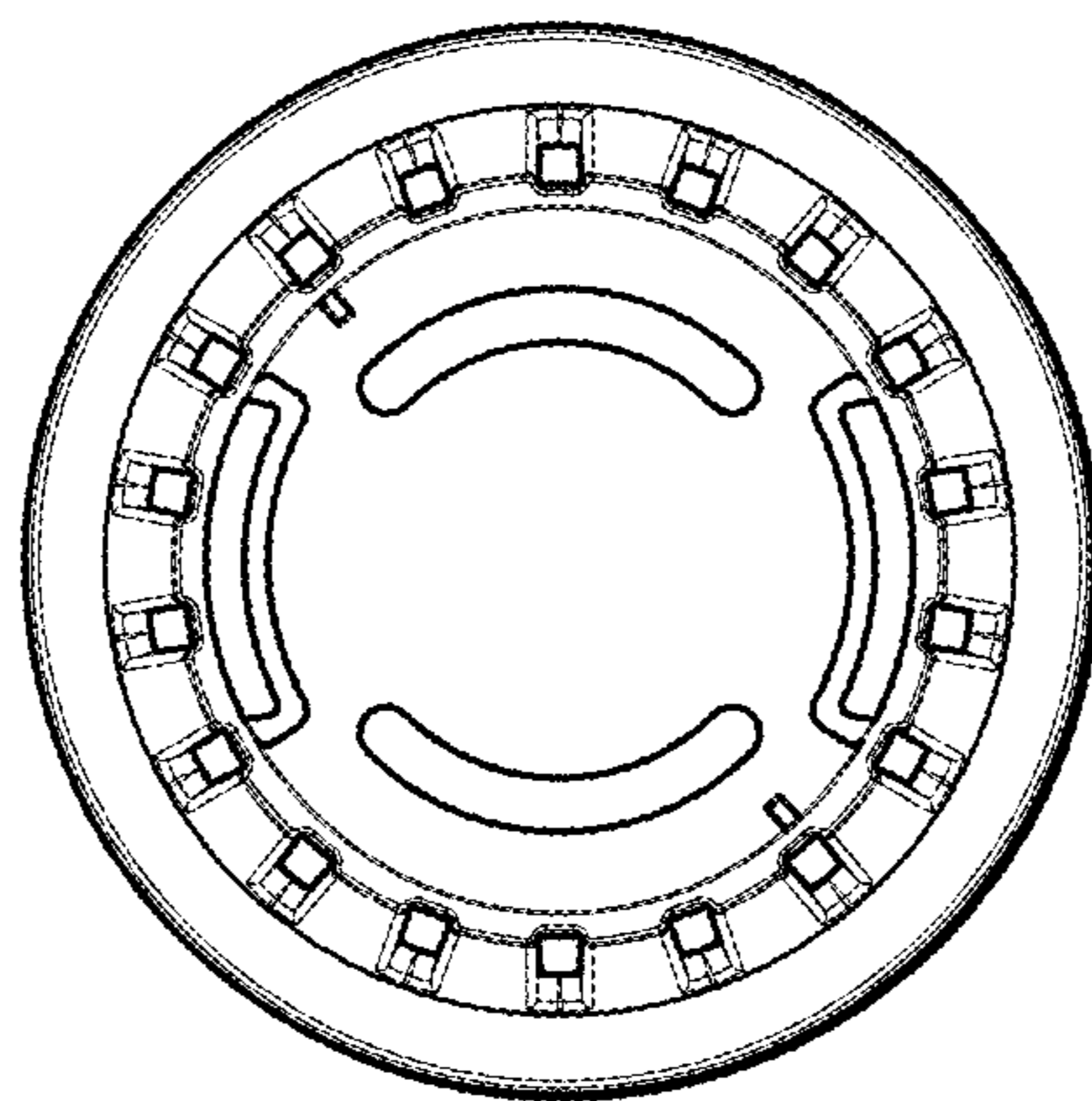


FIG. 8

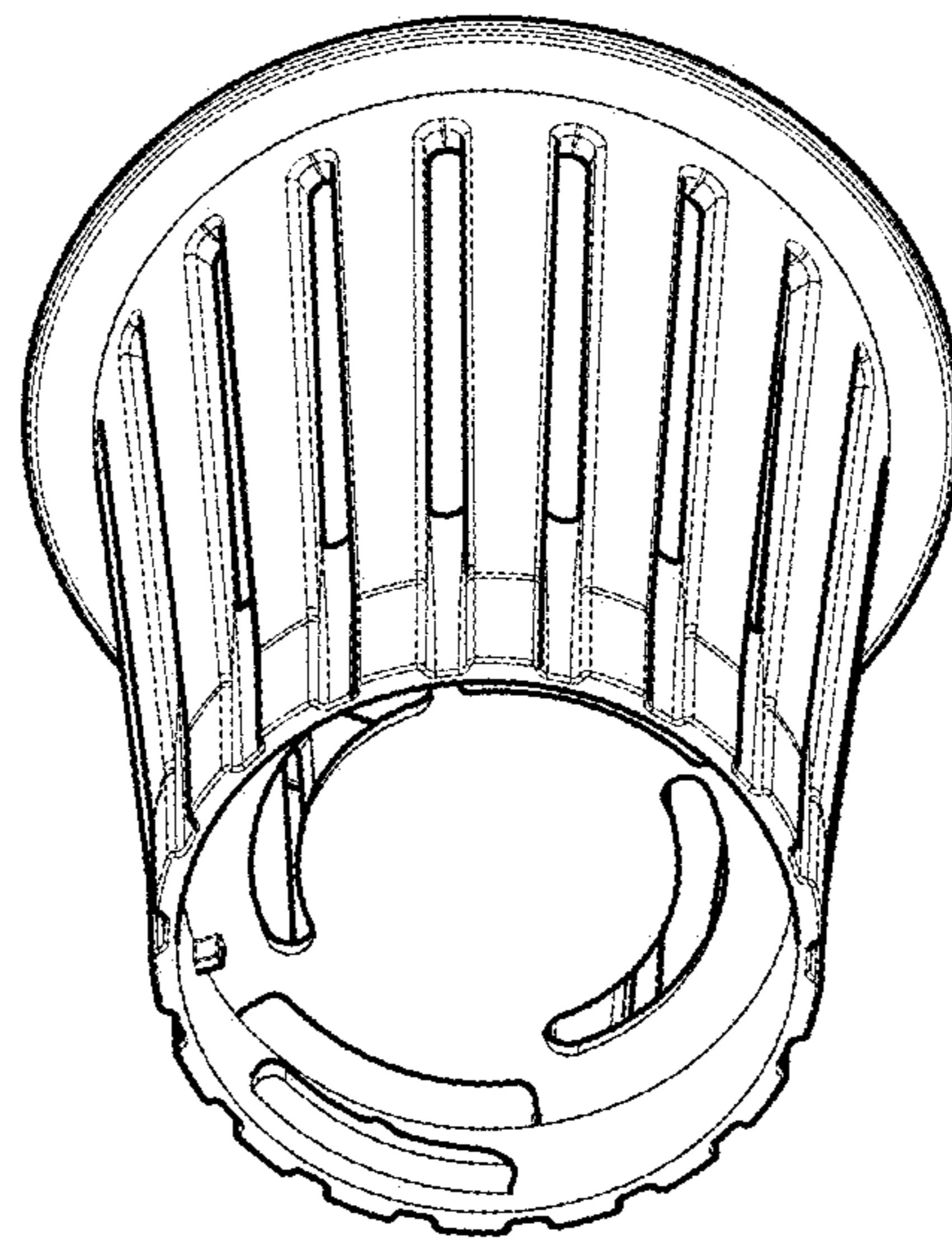


FIG. 9