



US00D901238S

(12) **United States Design Patent** (10) **Patent No.:** **US D901,238 S**
Campbell et al. (45) **Date of Patent:** **** Nov. 10, 2020**

- (54) **BITE-ACTUATED MOUTHPIECE**
- (71) Applicant: **CamelBak Products, LLC**, Petaluma, CA (US)
- (72) Inventors: **Derek Campbell**, Petaluma, CA (US);
Eric Mar, San Rafael, CA (US);
Kelsey O. Hammond, Santa Rosa, CA (US)
- (73) Assignee: **CAMELBAK PRODUCTS, LLC**, Petaluma, CA (US)
- (**) Term: **15 Years**
- (21) Appl. No.: **29/671,012**
- (22) Filed: **Nov. 21, 2018**

Related U.S. Application Data

- (63) Continuation-in-part of application No. 29/649,585, filed on May 31, 2018, now Pat. No. Des. 871,836.
- (51) **LOC (12) Cl.** **07-01**
- (52) **U.S. Cl.**
USPC **D7/396.2; D7/391; D9/435**
- (58) **Field of Classification Search**
USPC D7/505, 507, 509, 510, 511, 514, 515, D7/523, 533, 534, 535, 536, 392.1, 396.3, D7/400, 564, 577, 571, 569, 556, 656, D7/654, 642, 607, 603, 602, 624.1, 624.2, D7/680, 397, 398, 213, 403, 396.6, 633, D7/631, 632, 391, 396.2; 220/200, 220/592.16, 592.17, 495.03; D9/434, D9/435; D24/197; D19/194; D28/4, 39, D28/10, 38, 76, 82, 85, 88; D11/143, D11/144, 391; D27/167, 169; D3/202
CPC A47G 19/2205; A47G 19/22; A47G 19/2211; A47G 19/2216; B65D 1/265; B65D 3/06; A45F 3/20
See application file for complete search history.

(56) **References Cited**
U.S. PATENT DOCUMENTS

1,163,805 A	12/1915	Bonn et al.
1,788,795 A	1/1931	Hoban
2,844,267 A	7/1958	Petriccione
3,179,301 A	4/1965	Lucht

(Continued)

FOREIGN PATENT DOCUMENTS

EP	0266067 A1	5/1988
EP	2695549 A2	2/2014

(Continued)

Primary Examiner — Jae Liang
(74) *Attorney, Agent, or Firm* — Amardeep S. Grewal; Gerard M. Donovan; Reed Smith LLP

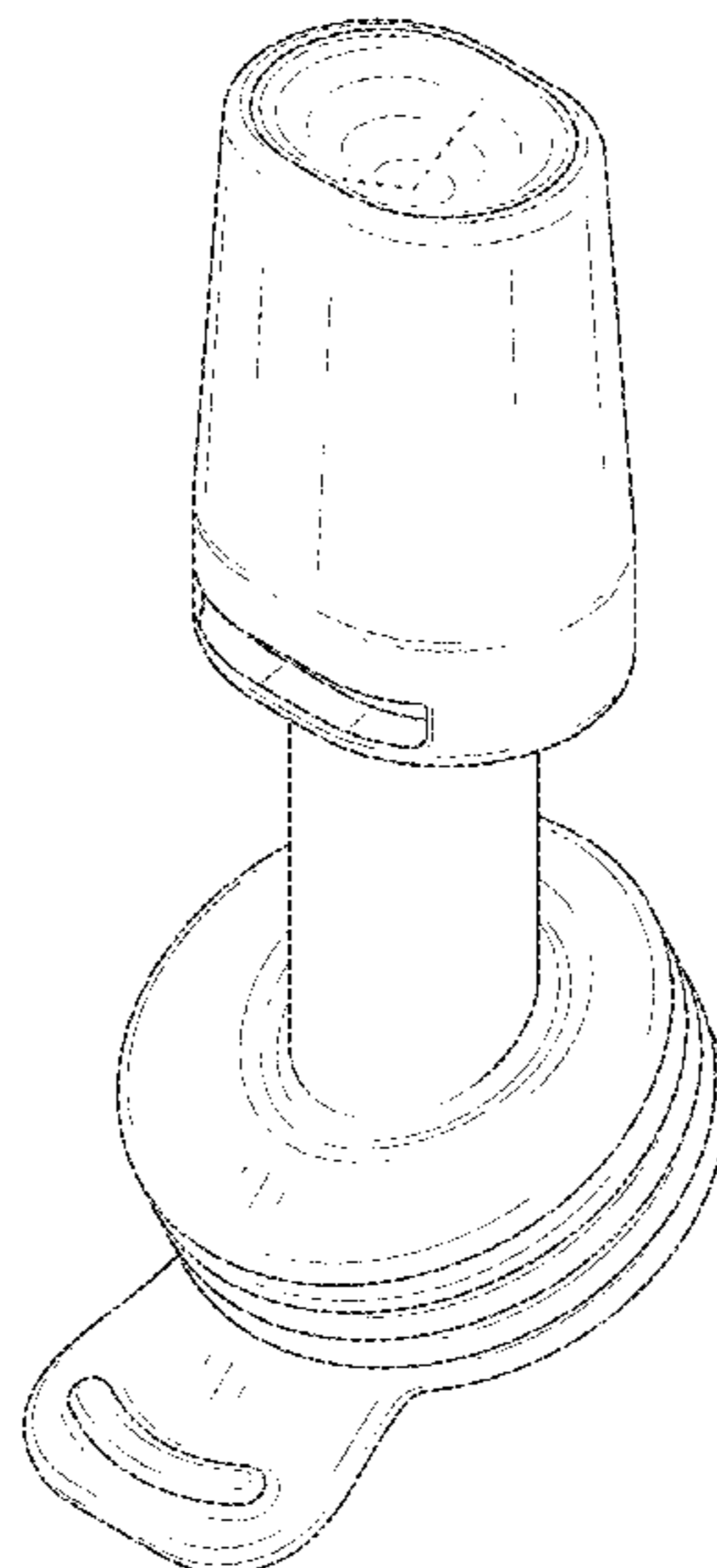
(57) **CLAIM**

The ornamental design for a bite-actuated mouthpiece, as shown and described.

DESCRIPTION

FIG. 1 is a perspective view of a bite-actuated mouthpiece showing our new design;
FIG. 2 is a front view thereof;
FIG. 3 is a rear view thereof;
FIG. 4 is side view thereof;
FIG. 5 is another side view thereof;
FIG. 6 is a top view thereof;
FIG. 7 is a bottom view thereof;
FIG. 8 is another perspective view thereof;
FIG. 9 is another perspective view thereof; and,
FIG. 10 is another perspective view thereof.
The dashed lines shown in the drawings illustrate portions of the bite-actuated mouthpiece that are not presently claimed and thus form no part of the presently claimed design. The shading lines shown in the drawings represent the three-dimensional contour of the claimed design and are not intended to indicate surface decoration.

1 Claim, 9 Drawing Sheets



(56)

References Cited

U.S. PATENT DOCUMENTS

3,972,443 A 8/1976 Albert
D241,355 S * 9/1976 Fenster D27/163
D243,720 S 3/1977 Yajima
D248,479 S 7/1978 Bastock
D248,481 S 7/1978 Bastock
4,485,963 A 12/1984 Panicci
4,607,755 A 8/1986 Andreozzi
4,690,375 A 9/1987 Vorhis
4,836,404 A 6/1989 Coy
4,852,762 A 8/1989 Chou-Sheng
4,925,042 A 5/1990 Chong
D318,621 S 7/1991 Venne
5,060,833 A 10/1991 Edison et al.
5,065,909 A 11/1991 Pino et al.
5,085,336 A 2/1992 Lynd
5,085,349 A 2/1992 Fawcett
5,101,991 A 4/1992 Morifuji et al.
5,242,079 A 9/1993 Stephens et al.
5,245,804 A 9/1993 Schiedegger et al.
5,271,531 A 12/1993 Rohr et al.
5,273,172 A 12/1993 Rossbach et al.
5,292,021 A 3/1994 Lyon
D347,358 S 5/1994 Brady
5,390,805 A 2/1995 Bilani et al.
5,601,207 A 2/1997 Paczonay
5,699,933 A 12/1997 Ho et al.
5,730,336 A 3/1998 Lerner
5,755,368 A 5/1998 Bekkedahl
5,791,510 A 8/1998 Paczonay
5,806,726 A 9/1998 Ho
5,873,478 A 2/1999 Sullivan et al.
5,897,013 A 4/1999 Manganiello
5,911,406 A 6/1999 Winefordner et al.
5,950,878 A 9/1999 Wade et al.
6,021,801 A 2/2000 Sheppard
6,050,433 A 4/2000 Russell et al.
6,062,435 A 5/2000 Hess, III
6,116,458 A 9/2000 Dark
6,145,695 A 11/2000 Garrigues
D437,528 S 2/2001 Kitamura et al.
6,196,413 B1 3/2001 Tung
6,199,729 B1 3/2001 Drzymkowski
6,264,166 B1 7/2001 Bowland et al.
6,279,772 B1 * 8/2001 Bowman B65D 47/2031
220/703
6,364,168 B1 4/2002 Gardner et al.
D457,390 S 5/2002 Bodum
6,390,341 B1 5/2002 Ohmi et al.
6,513,686 B1 2/2003 Ben-Sasson
6,523,711 B1 2/2003 Hughes et al.
6,557,721 B2 5/2003 Yang
D479,129 S 9/2003 Waugh
6,698,716 B2 3/2004 Yang
6,708,950 B2 3/2004 Christensen et al.
6,719,273 B1 4/2004 Yang
6,742,681 B1 6/2004 Yang
6,745,915 B2 6/2004 Rees
D493,327 S 7/2004 Marsden et al.
6,764,064 B2 7/2004 Sturm et al.
6,783,115 B1 8/2004 Yang
D497,282 S 10/2004 Kelly et al.
6,854,888 B1 2/2005 Brown et al.
6,874,760 B2 4/2005 Steckel
6,886,807 B1 5/2005 Gill
6,994,225 B2 2/2006 Hakim
D530,199 S 10/2006 Kitamura et al.
D532,557 S 11/2006 Bakic
D537,714 S * 3/2007 Yerby D9/445
D547,606 S 7/2007 Forsman
7,267,245 B2 9/2007 Yang
D566,549 S * 4/2008 Russell D9/445
7,533,783 B2 5/2009 Choi et al.
D597,213 S * 7/2009 Barnett D24/117
D599,616 S 9/2009 Cresswell et al.
D612,727 S 3/2010 Glynn

D629,644 S 12/2010 Zhuang et al.
D630,038 S 1/2011 Englert et al.
8,152,138 B2 4/2012 Skillern
D658,984 S 5/2012 Pauser et al.
8,191,727 B2 6/2012 Davies et al.
D663,172 S 7/2012 Huynh
D669,733 S 10/2012 Jewett et al.
8,469,226 B2 6/2013 Davies et al.
8,584,902 B2 * 11/2013 Dejonge B65D 50/061
215/214
8,622,236 B2 1/2014 Sanbrook et al.
D700,370 S 2/2014 Leonard
8,640,928 B2 2/2014 Ellenkamp-Van Olst et al.
D701,764 S 4/2014 Brower et al.
8,701,928 B2 4/2014 Samson
D708,518 S * 7/2014 Ivosevic D9/445
D730,730 S * 6/2015 Haley D9/440
D754,000 S 4/2016 Wang
D754,540 S 4/2016 Wang
D758,789 S 6/2016 Moore et al.
D765,467 S 9/2016 McDonald et al.
D769,060 S 10/2016 Klein
D769,712 S * 10/2016 Antignane D9/435
D769,714 S 10/2016 Koza
D781,645 S 3/2017 Lau
9,609,969 B1 4/2017 Panee et al.
D787,913 S 5/2017 Robinson et al.
D807,148 S 1/2018 Robinson et al.
D812,744 S 3/2018 Robinson et al.
D835,937 S * 12/2018 Nichols D7/392.1
D847,560 S * 5/2019 Calland D7/392.1
D860,716 S * 9/2019 Abante D7/392.1
D871,133 S * 12/2019 Bullock D7/392.1
D871,836 S * 1/2020 Campbell D7/396.2
2002/0011583 A1 1/2002 Getzewich et al.
2002/0092858 A1 7/2002 Bowman
2002/0092877 A1 7/2002 Bowman
2002/0148806 A1 10/2002 Cheng
2002/0166990 A1 11/2002 Yang
2003/0168462 A1 9/2003 Kiyota
2003/0173536 A1 9/2003 Christensen et al.
2003/0222238 A1 12/2003 Getzewich et al.
2004/0000551 A1 1/2004 Flink et al.
2004/0069783 A1 4/2004 Chen
2004/0159820 A1 8/2004 Yang
2004/0164043 A1 8/2004 Hakim
2005/0029313 A1 2/2005 Robins et al.
2005/0045647 A1 3/2005 Hession et al.
2005/0056652 A1 3/2005 Cezeaux
2005/0115966 A1 6/2005 Leoncavallo et al.
2005/0184026 A1 8/2005 Haley
2005/0184075 A1 8/2005 Belcastro
2005/0194410 A1 9/2005 Pham
2006/0201902 A1 9/2006 Brown et al.
2010/0084411 A1 4/2010 Lien
2010/0213223 A1 8/2010 Ballentine
2012/0031024 A1 2/2012 Selke
2012/0156345 A1 6/2012 Agarwal et al.
2013/0020796 A1 1/2013 Humber
2013/0181005 A1 7/2013 Stribling et al.
2014/0069947 A1 * 3/2014 Smith A47G 19/2272
220/714
2014/0209644 A1 7/2014 Socier et al.
2014/0263157 A1 9/2014 Aller
2015/0014369 A1 1/2015 Hatton et al.
2015/0368006 A1 12/2015 Wiesman
2019/0367224 A1 * 12/2019 Campbell B65D 47/2031

FOREIGN PATENT DOCUMENTS

WO WO 03/101261 12/2003
WO WO 2013/038179 3/2013
WO WO 2013/039482 3/2013
WO WO 2013/138087 9/2013
WO WO 2014/100168 6/2014
WO WO 2015/197599 12/2015

* cited by examiner

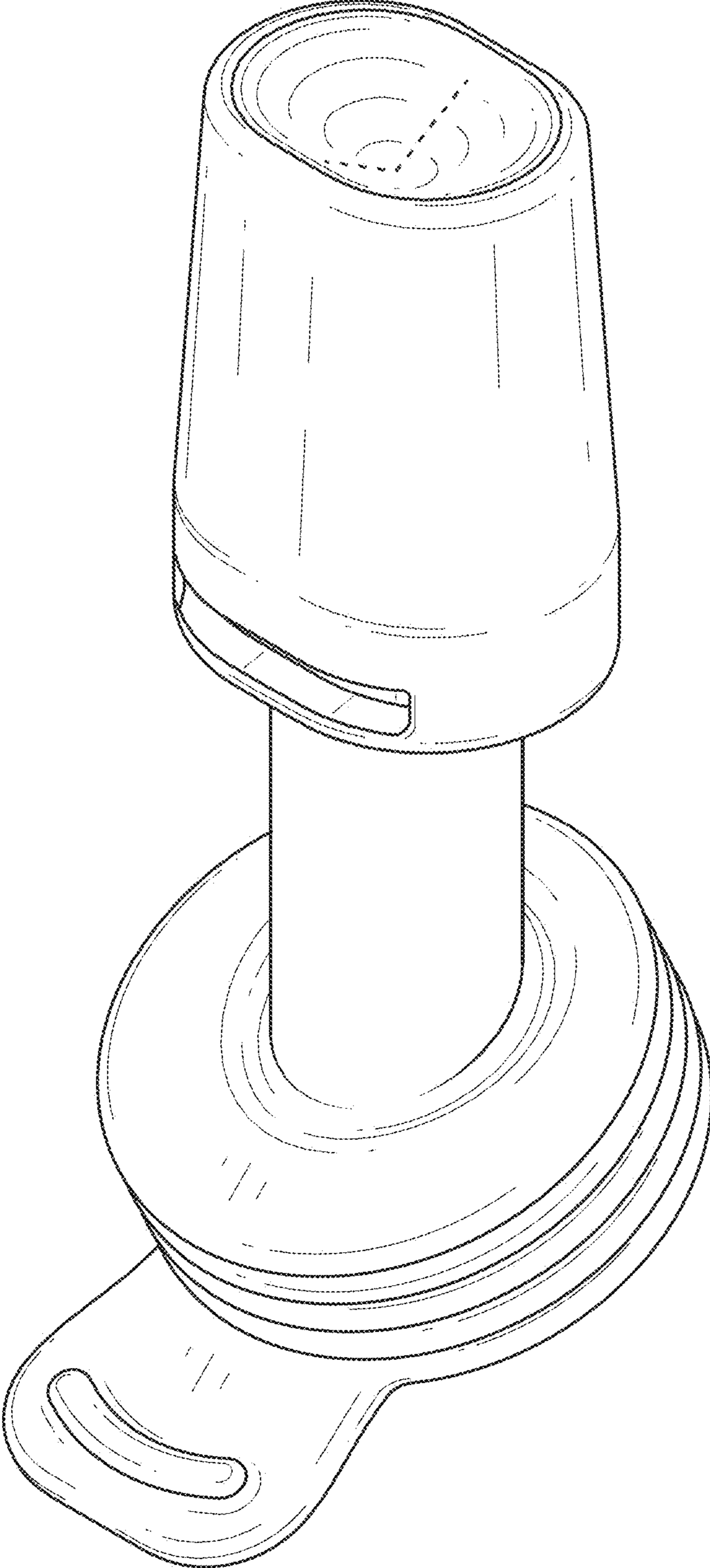


FIG. 1

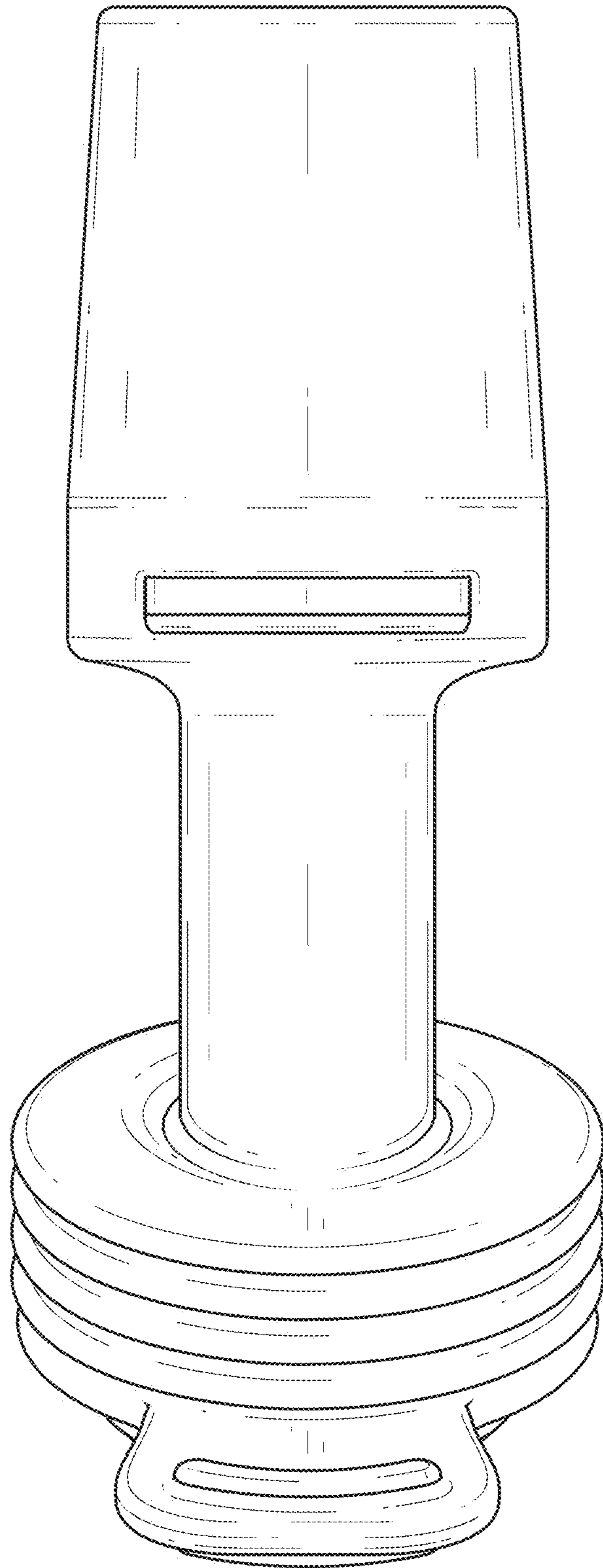


FIG. 2

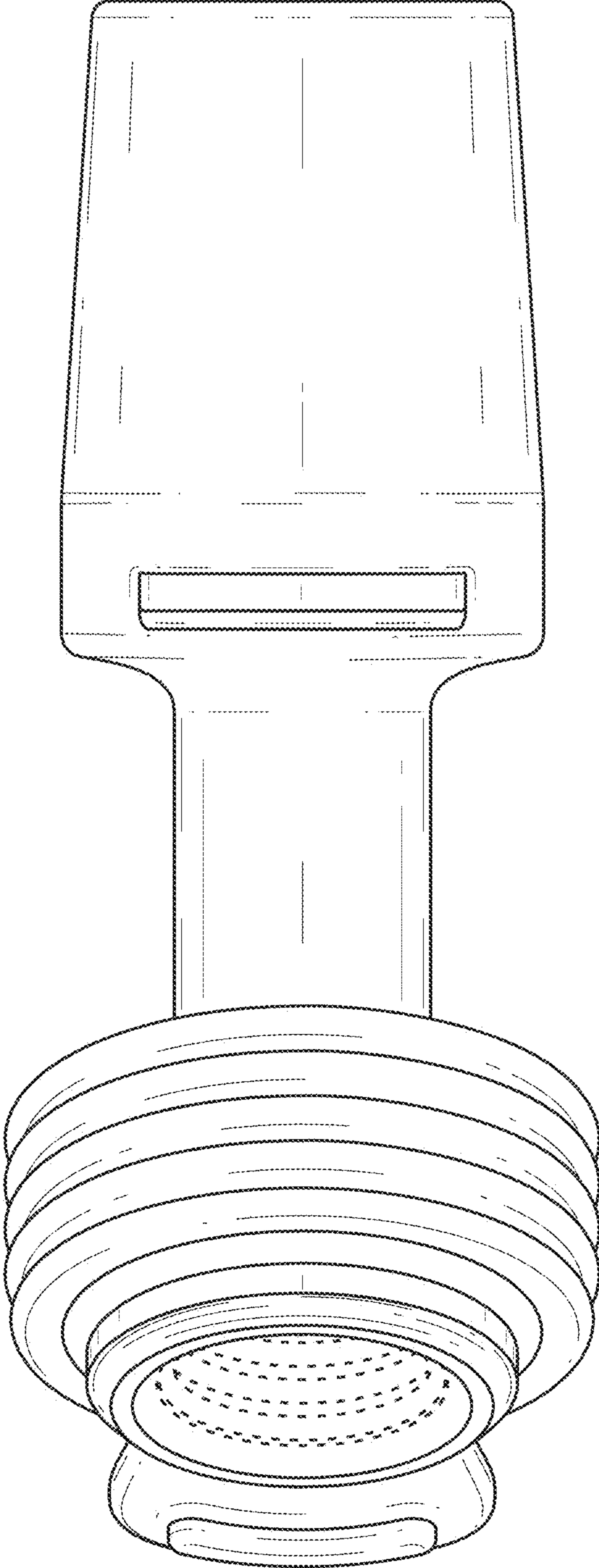


FIG. 3

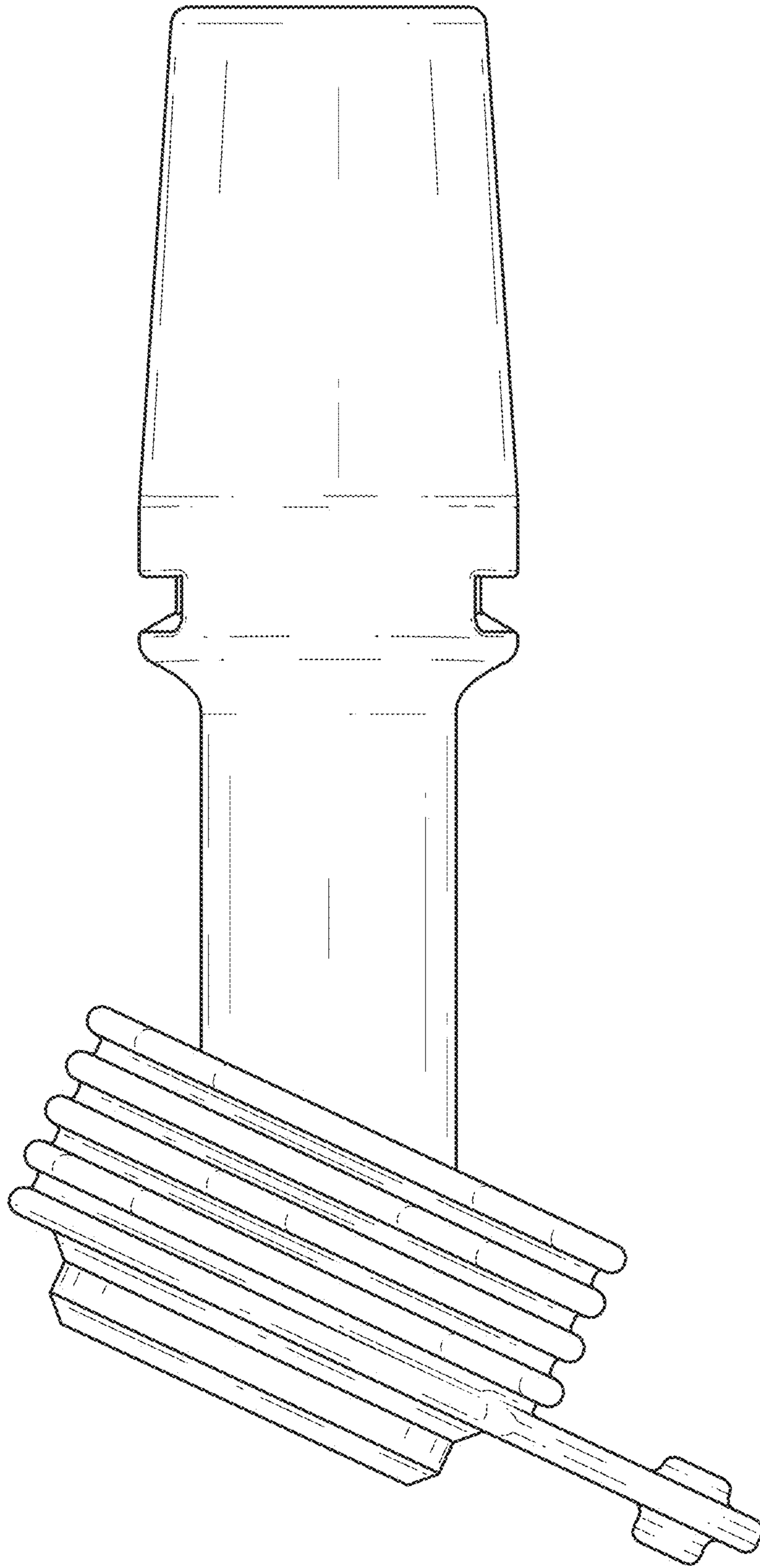


FIG. 4

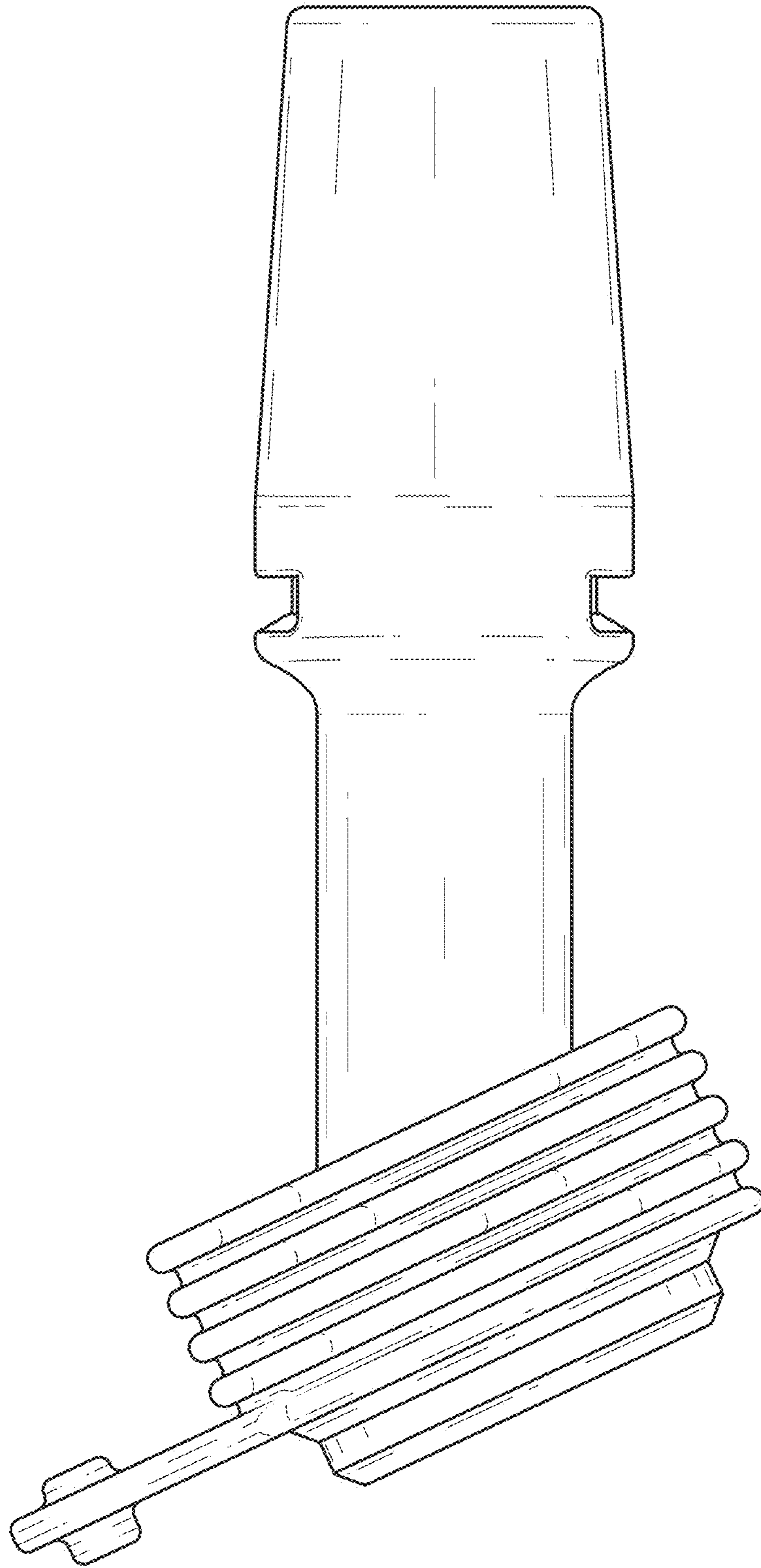


FIG. 5

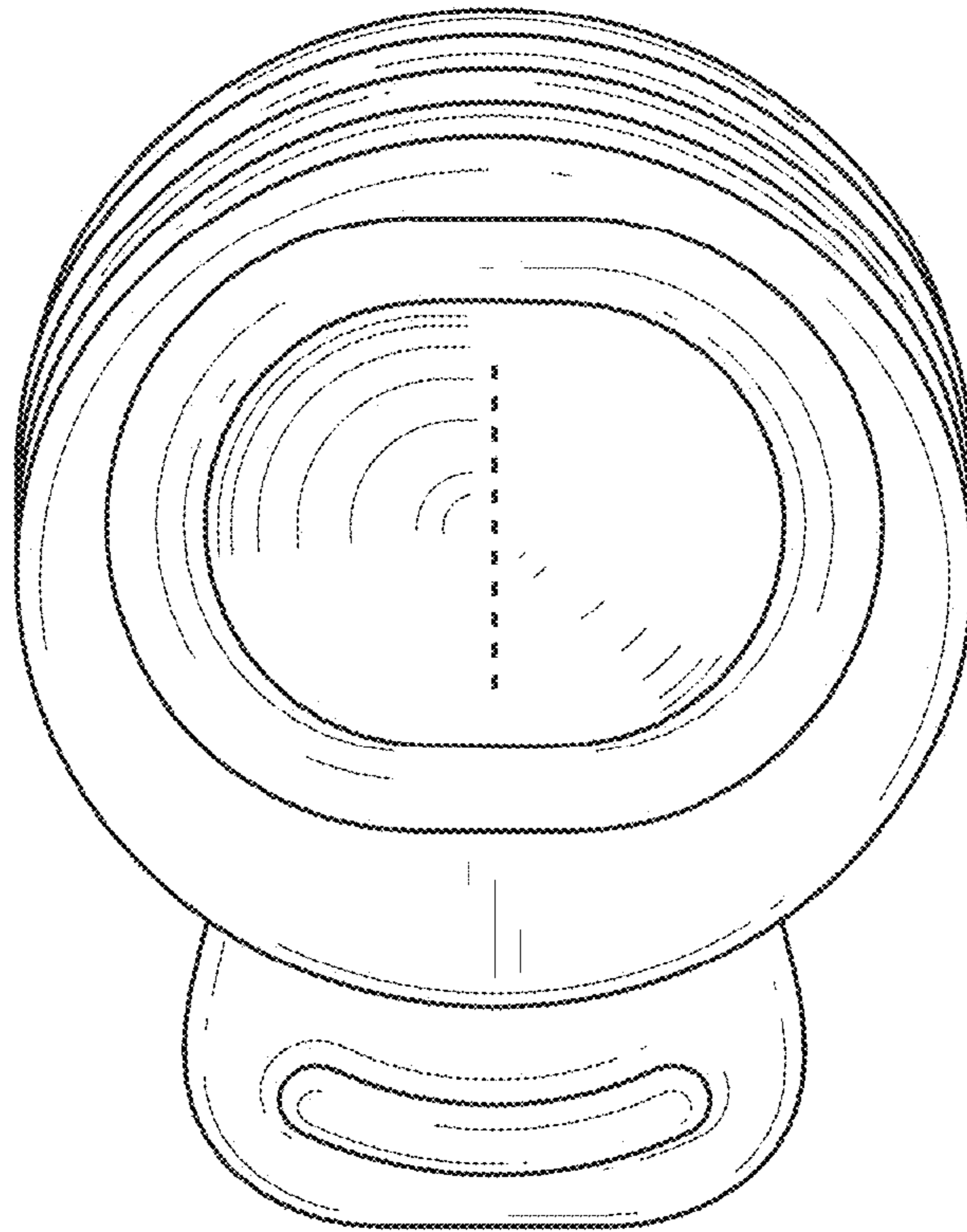


FIG. 6

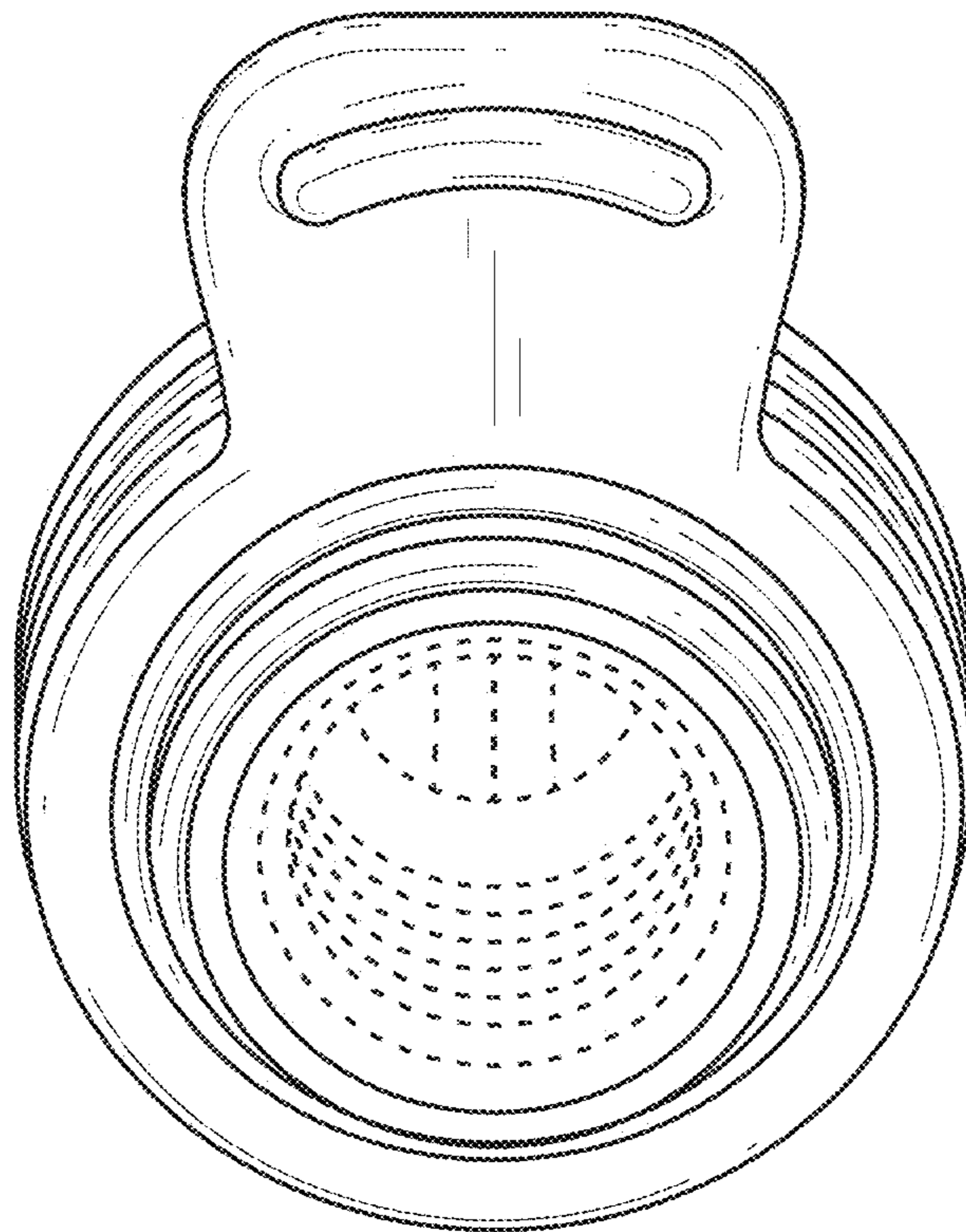


FIG. 7

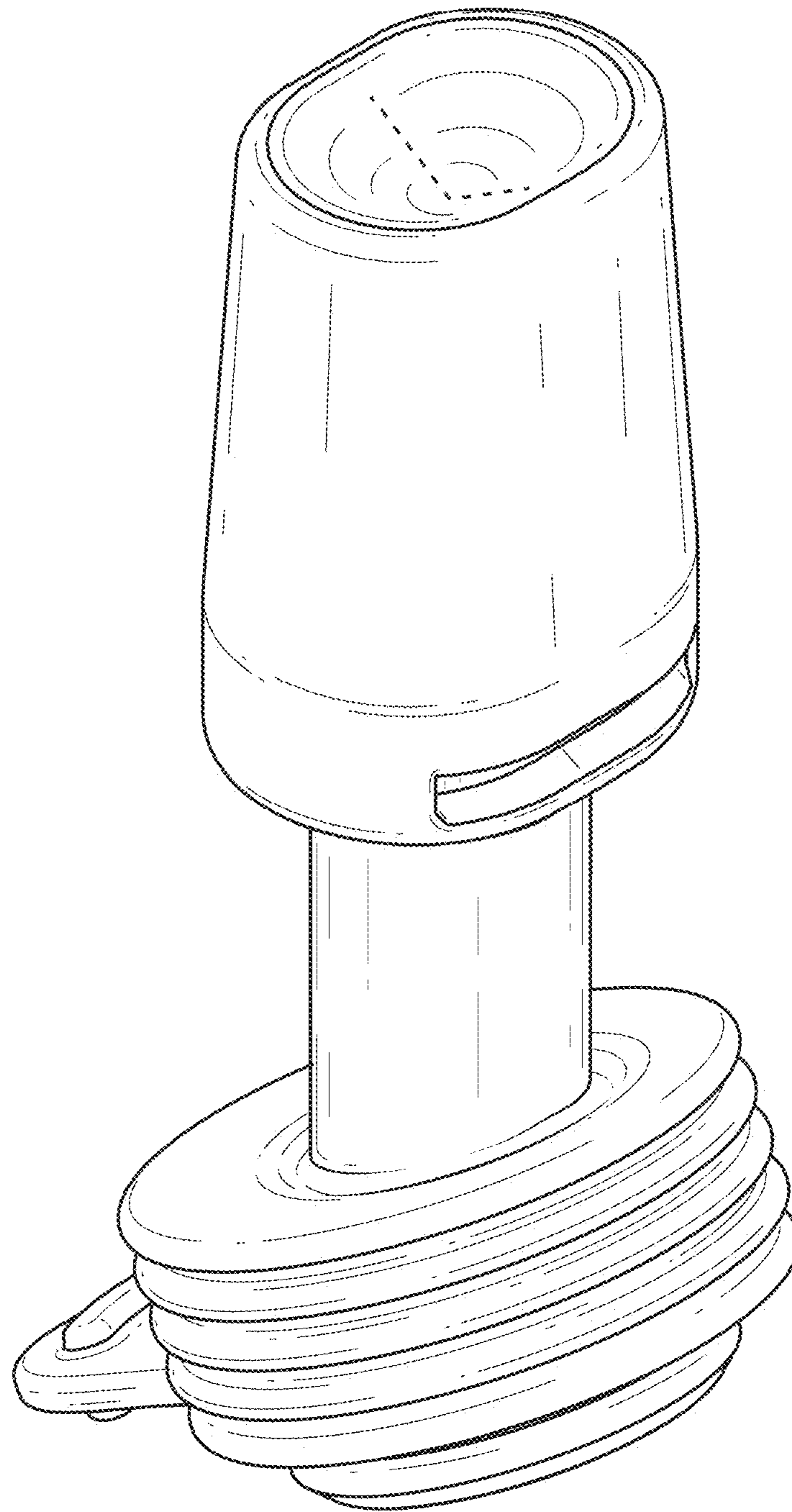


FIG. 8

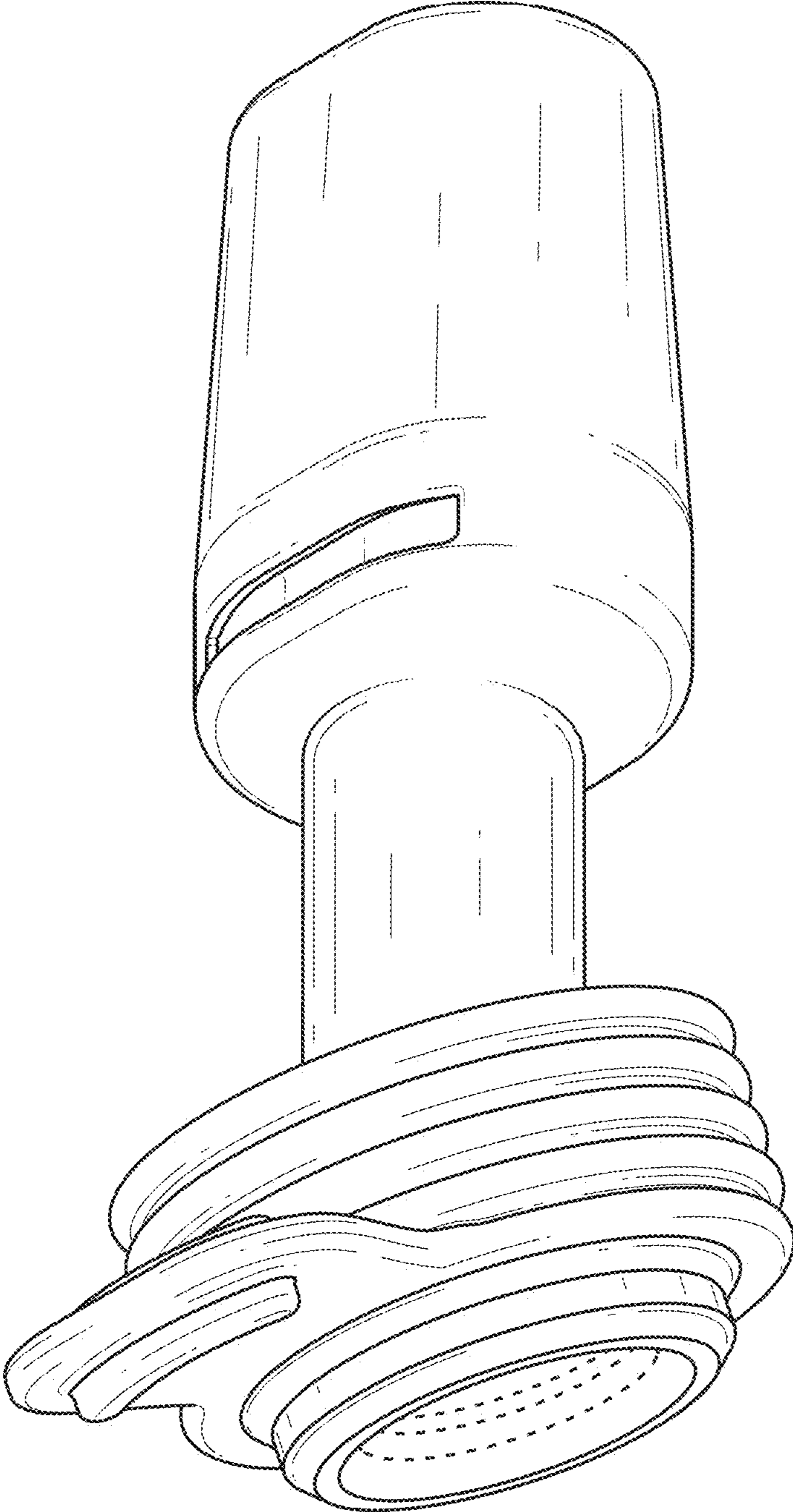


FIG. 9

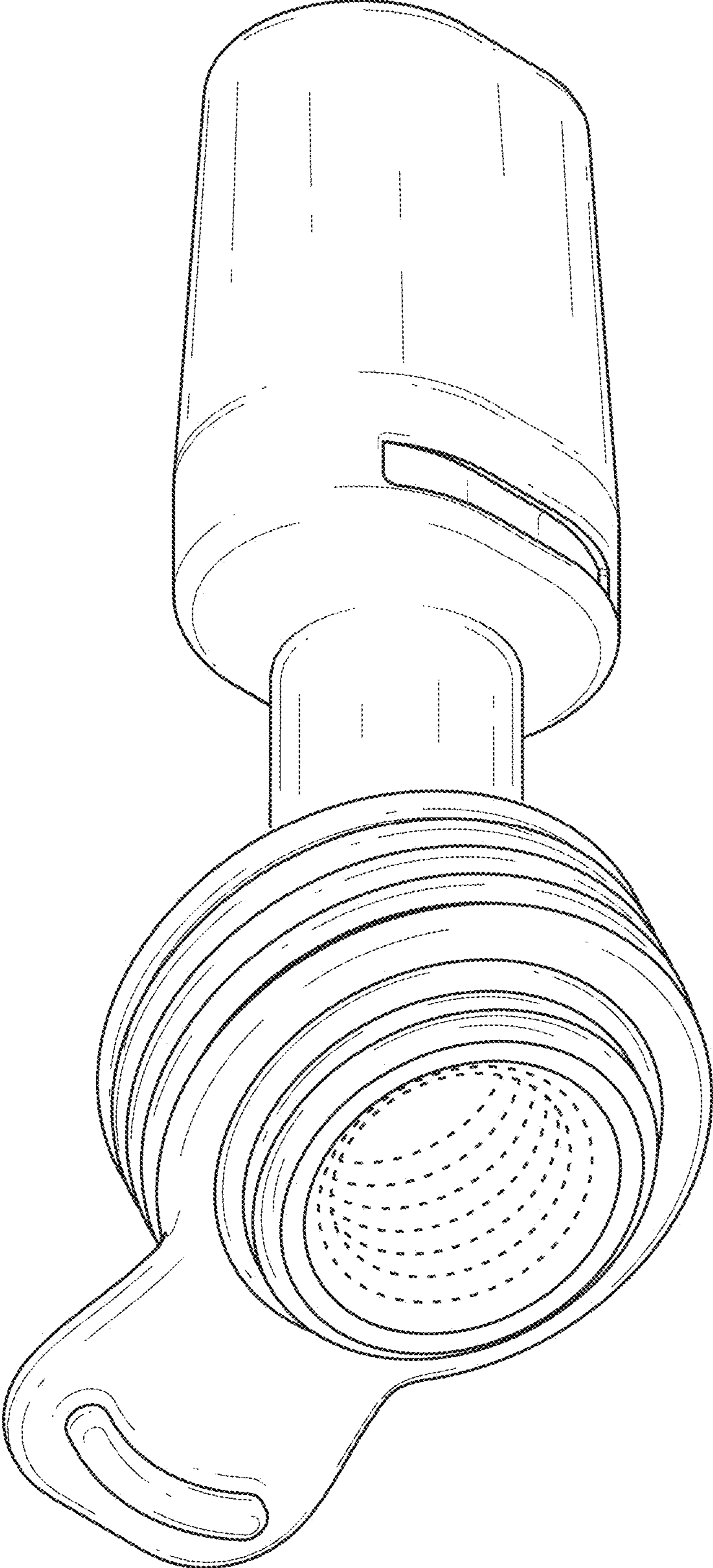


FIG. 10