



US00D901237S

(12) **United States Design Patent**
Matauch

(10) **Patent No.:** **US D901,237 S**

(45) **Date of Patent:** **** Nov. 10, 2020**

(54) **BEVERAGE CAP**

(71) Applicant: **Flowdesign, Inc.**, Northville, MI (US)

(72) Inventor: **Daniel Matauch**, Northville, MI (US)

(73) Assignee: **Flowdesign, Inc.**, Northville, MI (US)

(**) Term: **15 Years**

(21) Appl. No.: **29/738,754**

(22) Filed: **Jun. 19, 2020**

Related U.S. Application Data

(63) Continuation of application No. 29/672,404, filed on Dec. 5, 2018, now Pat. No. Des. 887,774.

(51) **LOC (12) Cl.** **07-01**

(52) **U.S. Cl.**
USPC **D7/392.1**; D9/447

(58) **Field of Classification Search**
USPC D7/391, 392, 392.1, 397, 510, 511, 542,
D7/543, 602, 605, 629; D9/435, 443,
D9/447, 449, 454
CPC B65D 41/0414; B65D 47/06
See application file for complete search history.

(56) **References Cited**

U.S. PATENT DOCUMENTS

D277,937 S	3/1985	Fortuna	
D286,028 S	10/1986	DiFede	
D346,718 S	5/1994	Timmermans	
D433,275 S	11/2000	Betras	
D465,970 S *	11/2002	Dimeo	D7/392.1
D601,861 S *	10/2009	Richardson	D7/624.1
D624,982 S	10/2010	Perusa	
D644,062 S	8/2011	Lorenz	
8,245,891 B2 *	8/2012	Eriksen	B65D 47/40 222/481.5
D697,366 S *	1/2014	Kristinik	D7/392.1
D700,513 S *	3/2014	Carsrud	D9/447
D701,764 S	4/2014	Brower et al.	

D723,917 S	3/2015	Koffel et al.	
D756,710 S *	5/2016	Beckman	D7/536
D828,085 S	9/2018	Baron et al.	
D835,264 S *	12/2018	Mozzicato	D9/447
D836,440 S *	12/2018	Girins	D9/453
D838,140 S *	1/2019	Furneaux	D7/510
D867,058 S	11/2019	Spivey et al.	

(Continued)

OTHER PUBLICATIONS

Cocktails with American Born Moonshine. Found online Feb. 19, 2020 at sushiatx.blogspot.com. Reference dated Jul. 11, 2016. Retrieved from sushiatx.blogspot.com/2016/07 /cocktails-with-american-born-moonshine.html.

(Continued)

Primary Examiner — Kendra Leslie Hamilton

(74) *Attorney, Agent, or Firm* — Young Basile Hanlon & MacFarlane, P.C.

(57) **CLAIM**

The ornamental design for a beverage cap, as shown and described.

DESCRIPTION

FIG. 1 is a top-left perspective view of a beverage cap, showing my new design;

FIG. 2 is a top plan view thereof;

FIG. 3 is a bottom plan view thereof;

FIG. 4 is a left side elevation view thereof;

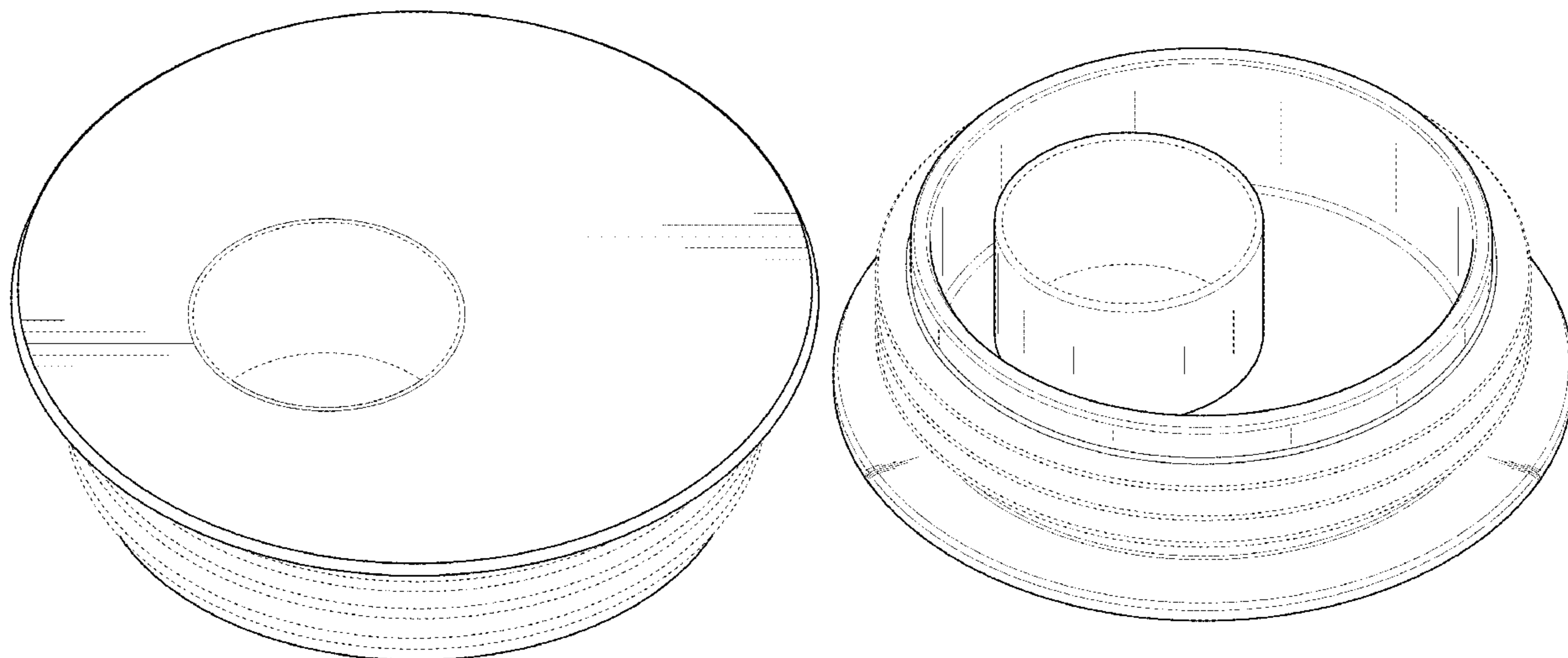
FIG. 5 is a bottom-left perspective view of the beverage cap of FIG. 1;

FIG. 6 is a top-left perspective view of the beverage cap of FIG. 1, shown in a first condition of use; and,

FIG. 7 is a top-left perspective view of the beverage cap of FIG. 1, shown in a second condition of use.

The broken lines in FIGS. 1-7 depict environmental subject matter that forms no part of the claimed design.

1 Claim, 5 Drawing Sheets



(56)

References Cited

U.S. PATENT DOCUMENTS

10,479,575 B2 * 11/2019 Danenberg A23K 40/30
D881,641 S * 4/2020 Baron D7/392.1
D887,774 S * 6/2020 Matauch D7/392.1
2008/0197099 A1 8/2008 Pawlick et al.
2017/0251850 A1 * 9/2017 Coon A47G 19/2266
2017/0333893 A1 11/2017 Ziegler et al.
2018/0317684 A1 11/2018 Hung

OTHER PUBLICATIONS

Generic: Liquor Spirit Pourer. Found online Feb. 19, 2020 at amazon.co.uk. Reference dated Apr. 24, 2013. Retrieved from https://www.amazon.co.uk/. . . urer-Stopper/dp/BOOV031 LPY/ref=sr_1_5?crd=2C9 F39VR75CY&keywords=liquor+pourer&qid=1582152717 &sprefix=liquor+po%2Caps%2C212&sr=8-5.

GreenPaxx Universal Cup Lid. Found online Nov. 10, 2015 at amazon.com. Reference dated Feb. 18, 2013. Retrieved from http://www.amazon.com/Green-Paxx-Universal-fits-many-glasses/dp/B0084GF5 P2/ref=cm_cr pr product_top?ie=UTF8.

Tervis Tumbler Straw Lid. Found online Mar. 16, 2017 at amazon.com. Reference dated Apr. 9, 2014. Retrieved from https://www.amazon.com/Tervis-Tumbler-Gray-Straw-24oz/dp/BOOJ7ZQCAQ/ref=sr_1_96?ie=UTF8&qid=1489692115&sr=8-96&keywords=tumbler+lid.

* cited by examiner

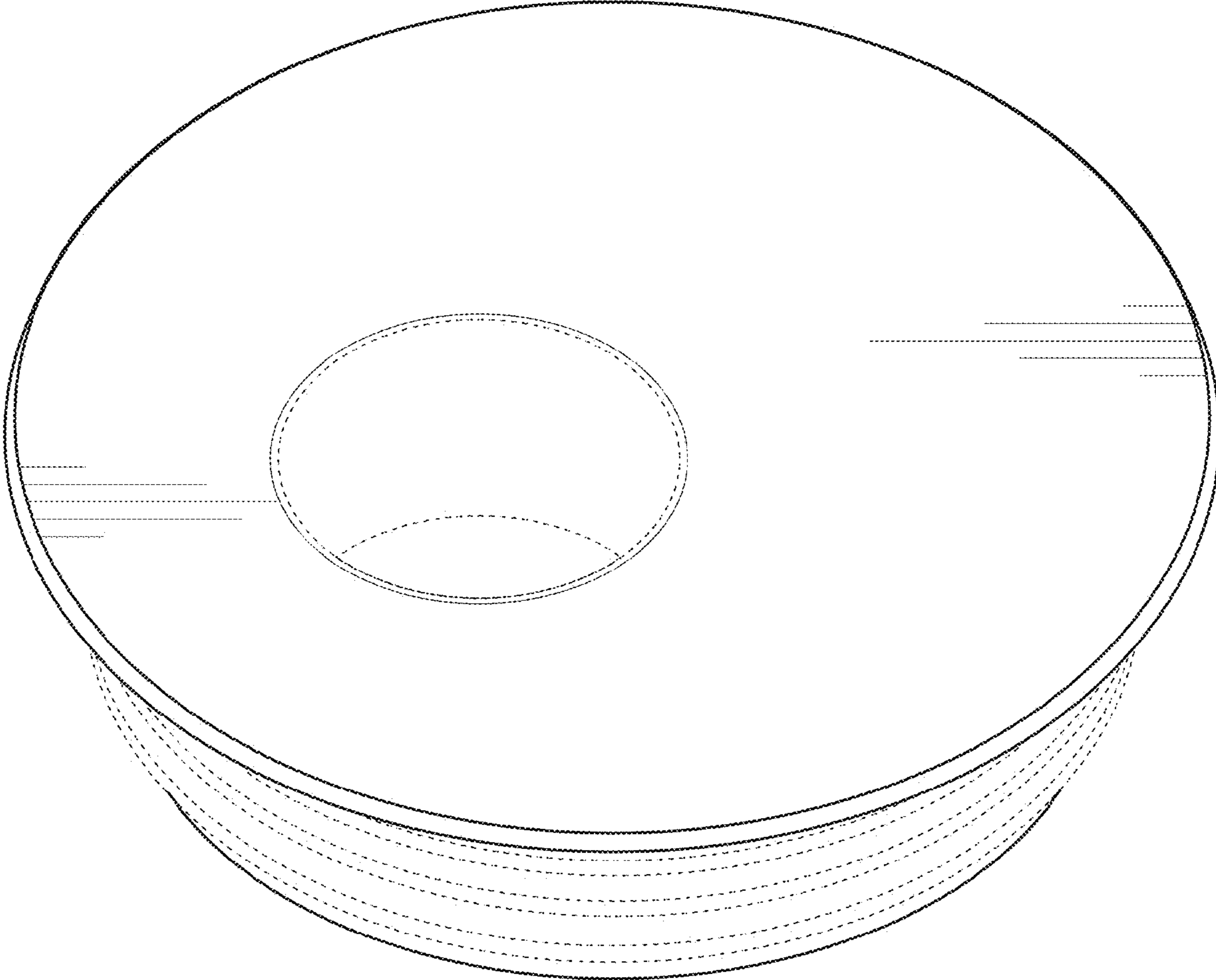


FIG. 1

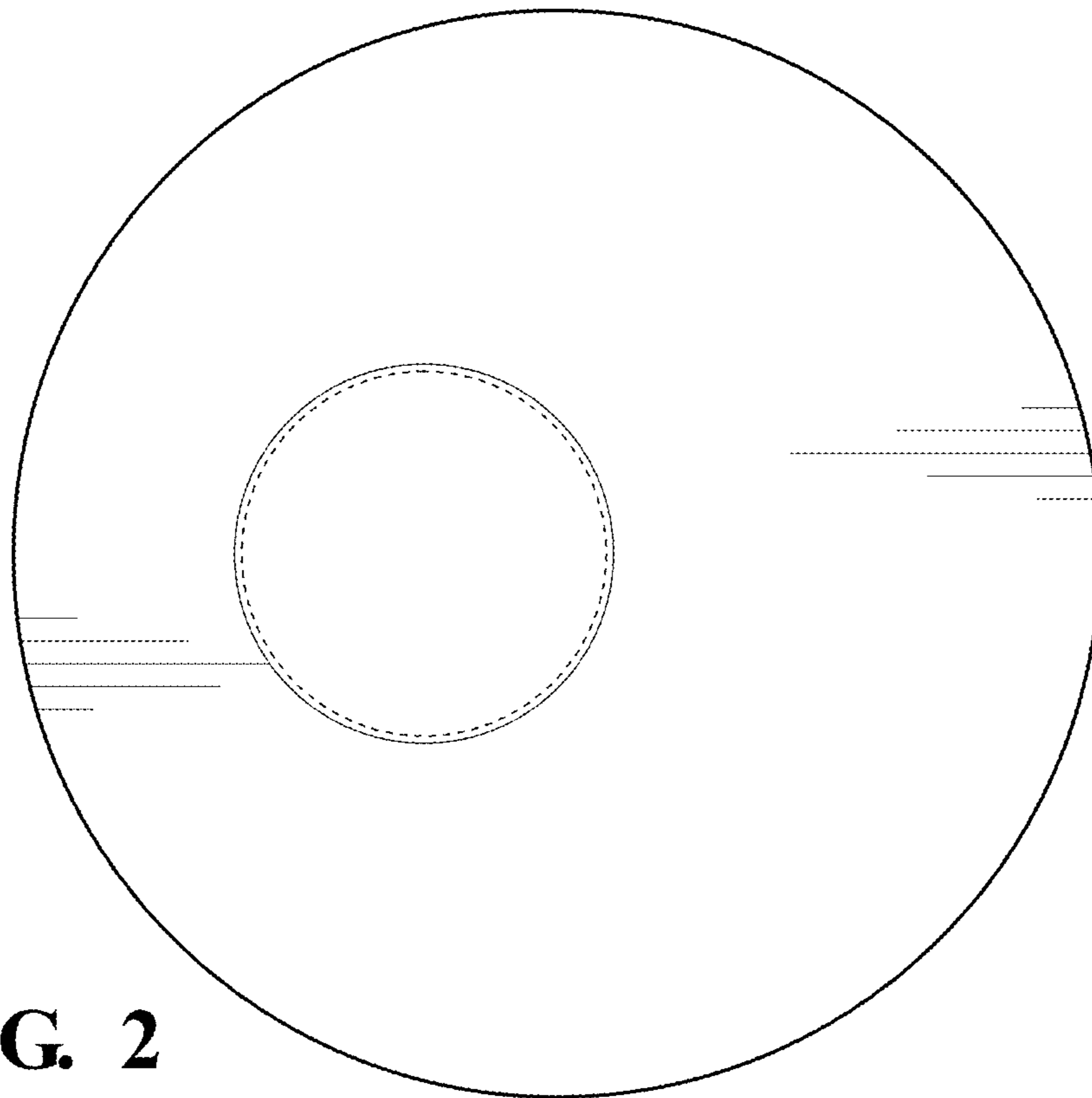


FIG. 2

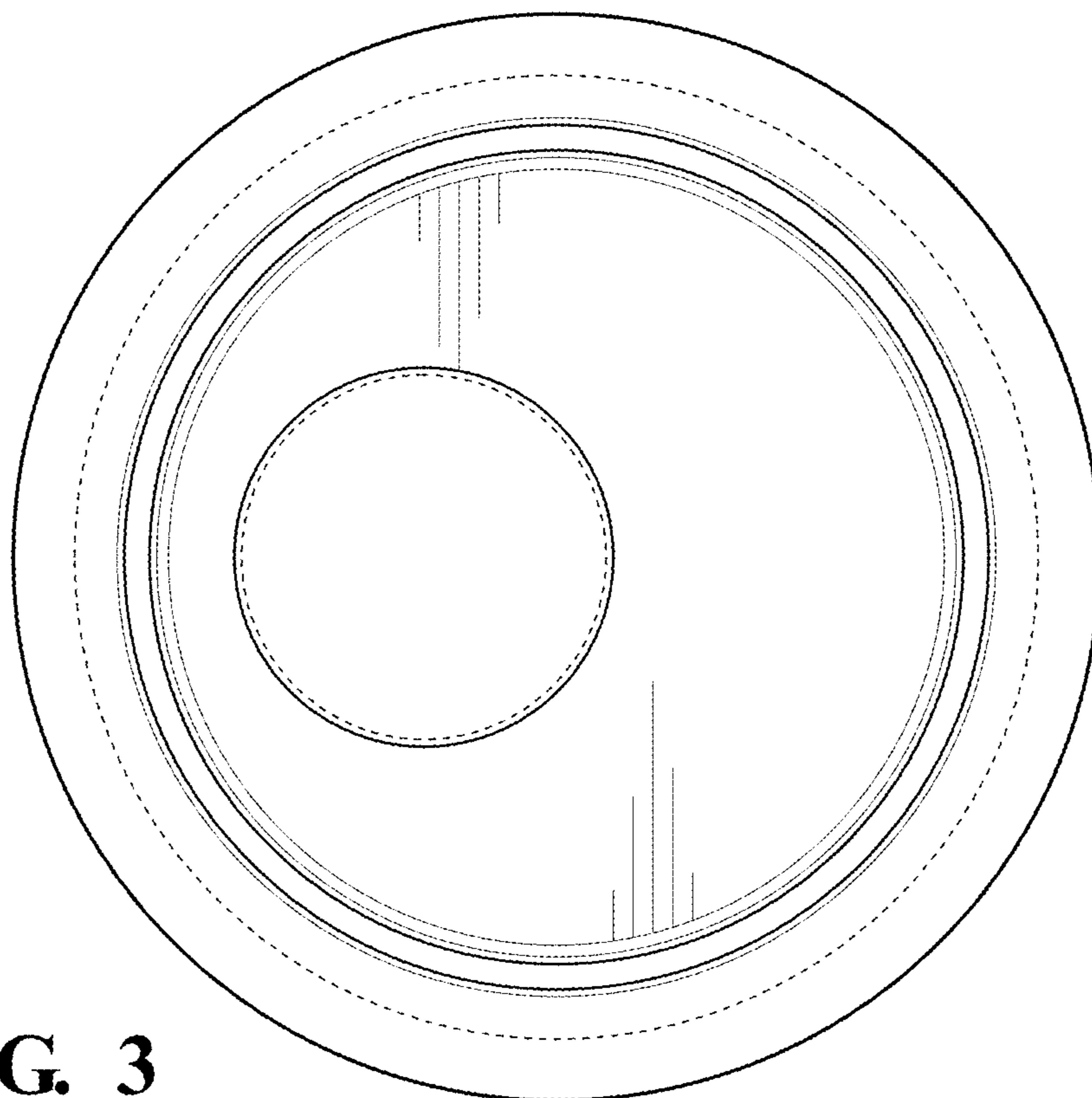


FIG. 3

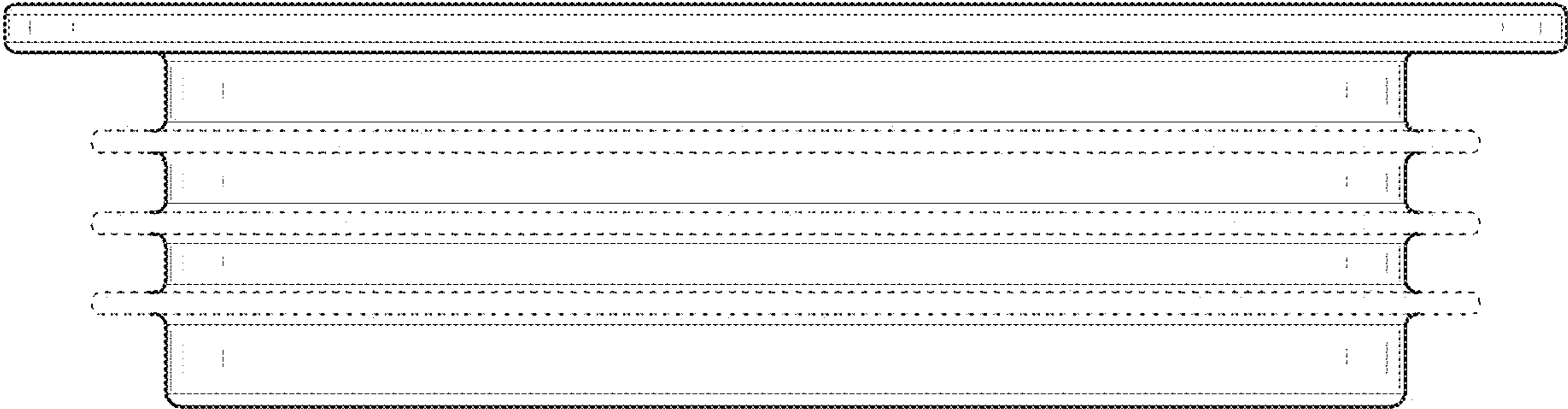


FIG. 4

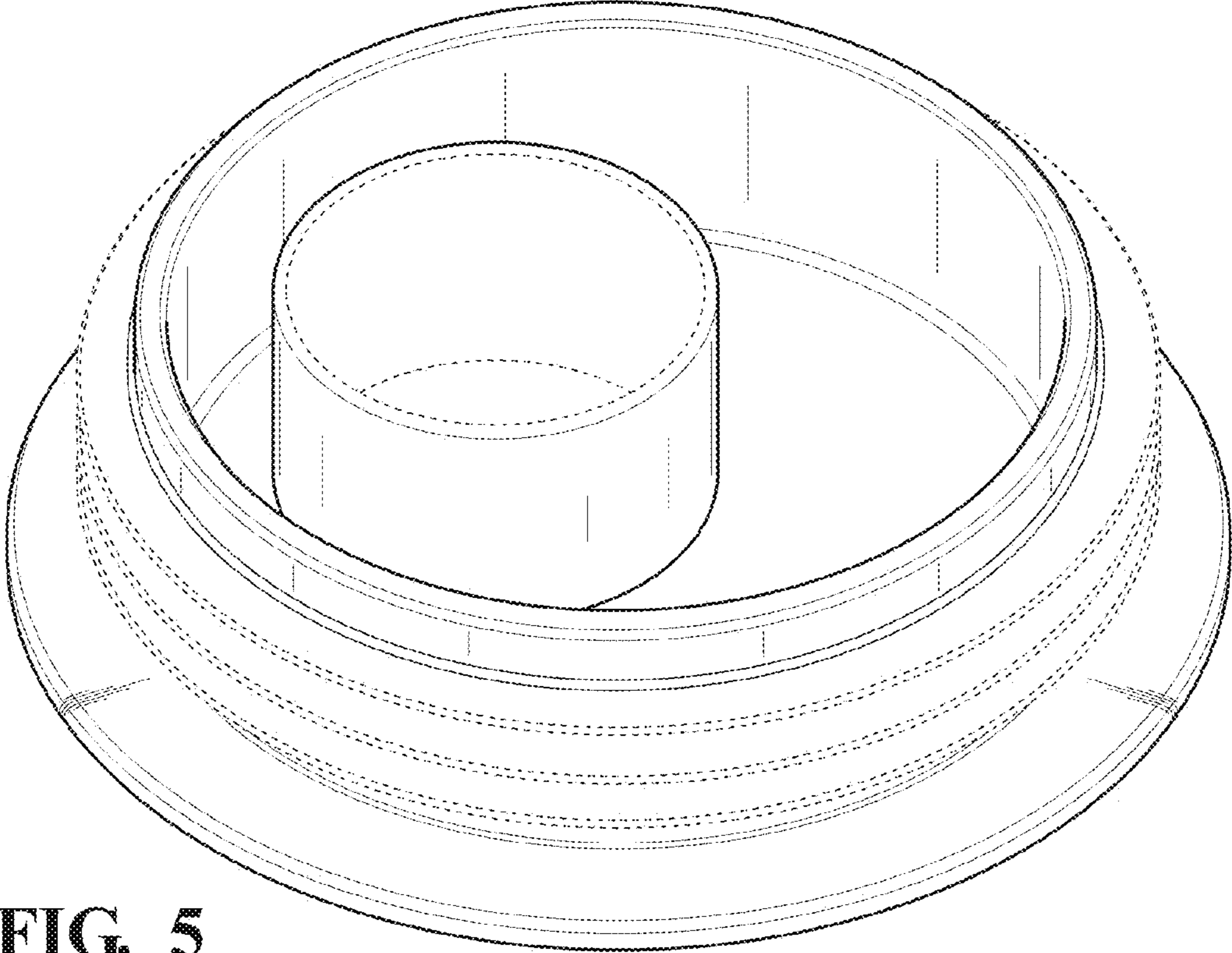


FIG. 5

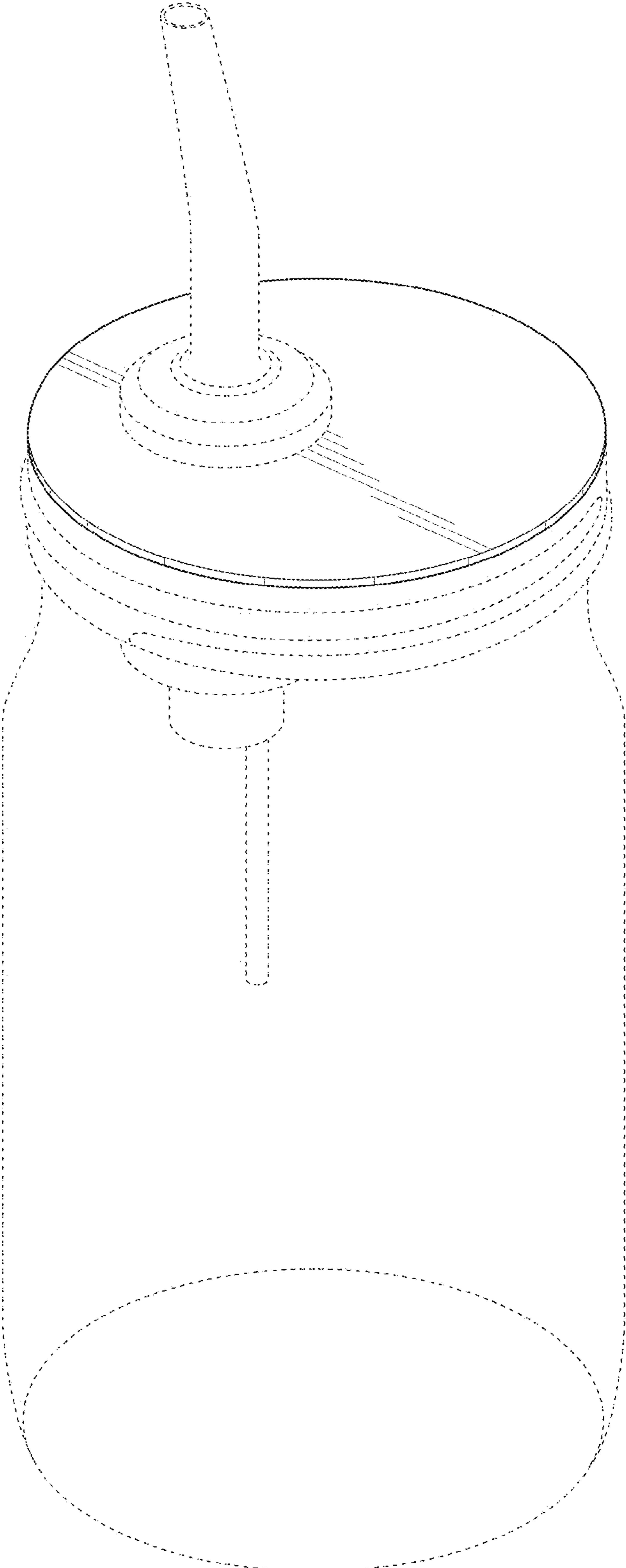


FIG. 6

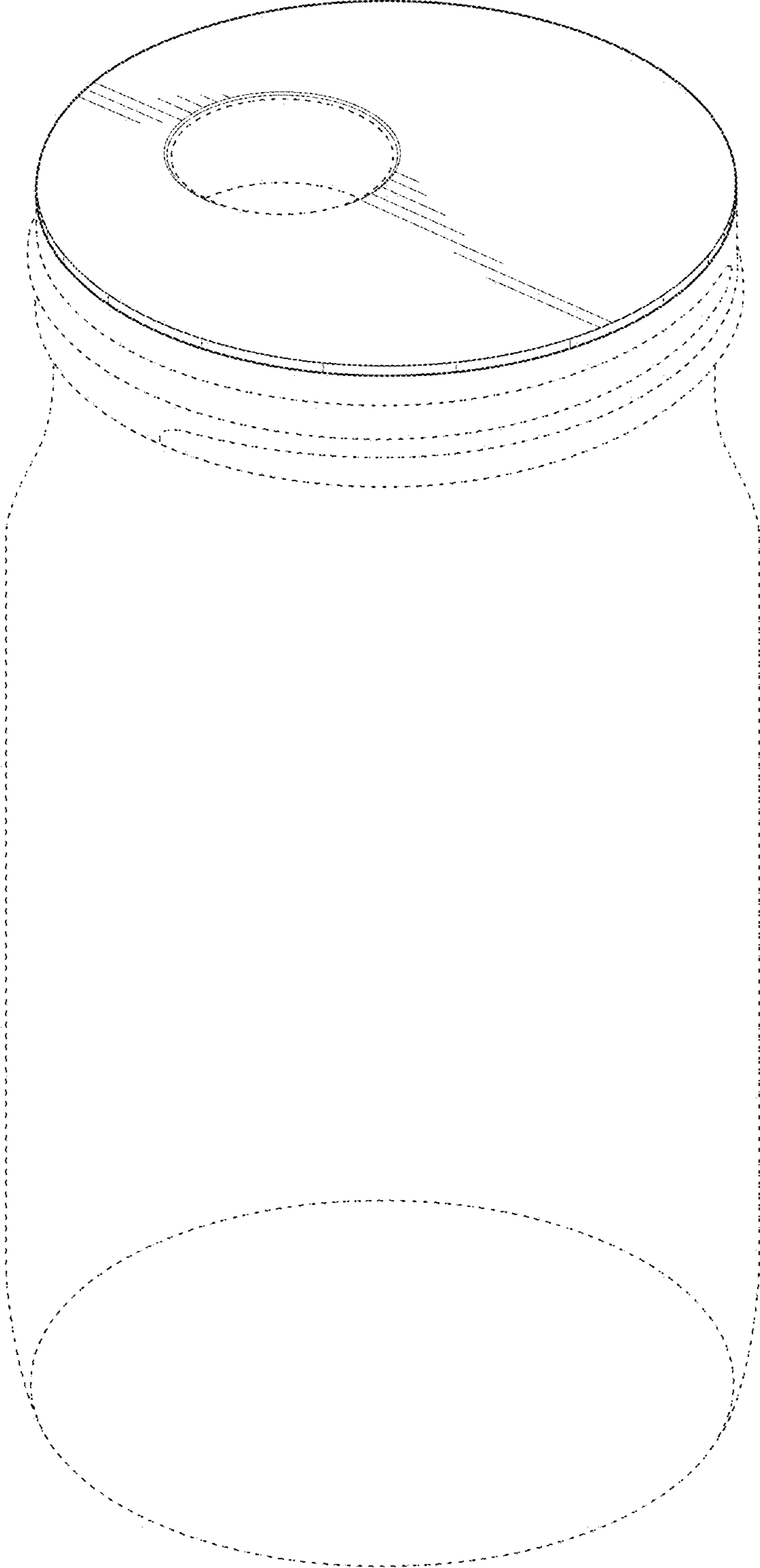


FIG. 7