



US00D901233S

(12) **United States Design Patent**  
**Lin**

(10) **Patent No.:** **US D901,233 S**

(45) **Date of Patent:** **\*\* Nov. 10, 2020**

(54) **MEAT GRINDER**

(71) Applicant: **GUANGZHOU LIVING  
HARDWARE AND PLASTIC  
MANUFACTURING CO., LTD,**  
Guangzhou (CN)

(72) Inventor: **Shuyuan Lin,** Jiangmen (CN)

(73) Assignee: **GUANGZHOU LIVING  
HARDWARE AND PLASTIC  
MANUFACTURING CO., LTD,**  
Guangzhou (CN)

(\*\*) Term: **15 Years**

(21) Appl. No.: **29/698,084**

(22) Filed: **Jul. 15, 2019**

(51) **LOC (12) Cl.** ..... **31-00**

(52) **U.S. Cl.**  
USPC ..... **D7/372**

(58) **Field of Classification Search**  
USPC ..... D7/309, 372, 373, 374, 376, 377, 378,  
D7/381, 382, 383, 385, 412, 414, 678,  
D7/669, 679; D27/194, 195  
CPC .. A47J 42/00; A47J 42/02; A47J 42/04; A47J  
42/06; A47J 42/08; A47J 42/10; A47J  
42/12; A47J 42/14; A47J 42/16; A47J  
42/22; A47J 42/32; A47J 42/38; A47J  
42/52; A23F 5/08; A22C 5/00; A22C  
7/00; A22C 9/00; A22C 17/00; A22C  
17/0006; A22C 17/004  
See application file for complete search history.

(56) **References Cited**

**U.S. PATENT DOCUMENTS**

1,456,651 A \* 5/1923 Myrtille ..... B02C 18/302  
99/510  
2,130,397 A \* 9/1938 Niedhammer ..... A47J 19/00  
241/100  
D152,871 S \* 3/1949 Everett ..... D7/372

D161,270 S \* 12/1950 Kircher et al. .... D7/372  
D172,651 S \* 7/1954 Talge ..... D7/383  
D172,666 S \* 7/1954 Green et al. .... D7/372  
D173,029 S \* 9/1954 Green et al. .... D7/372  
D182,648 S \* 4/1958 DeHart ..... D7/383  
D183,185 S \* 7/1958 Silberberg ..... D7/678  
D185,201 S \* 5/1959 Gundelfinger ..... D7/383  
D187,452 S \* 3/1960 Mango ..... D7/372  
D188,234 S \* 6/1960 Holden ..... D7/383

(Continued)

**OTHER PUBLICATIONS**

Household mini aluminum alloy manual meat grinder, announced ©  
1999-2020 [online], retrieved Aug. 11, 2020, retrieved from inter-  
net, [https://www.alibaba.com/product-detail/Household-mini-aluminum-  
alloy-manual-meat\\_62036248803.html?spm=a2700.icbuShop.41413.  
13.23ea399e9Uuwls&fullFirstScreen=true](https://www.alibaba.com/product-detail/Household-mini-aluminum-alloy-manual-meat_62036248803.html?spm=a2700.icbuShop.41413.13.23ea399e9Uuwls&fullFirstScreen=true).\*

(Continued)

*Primary Examiner* — Dana K Weiland  
*Assistant Examiner* — Messina L Smith

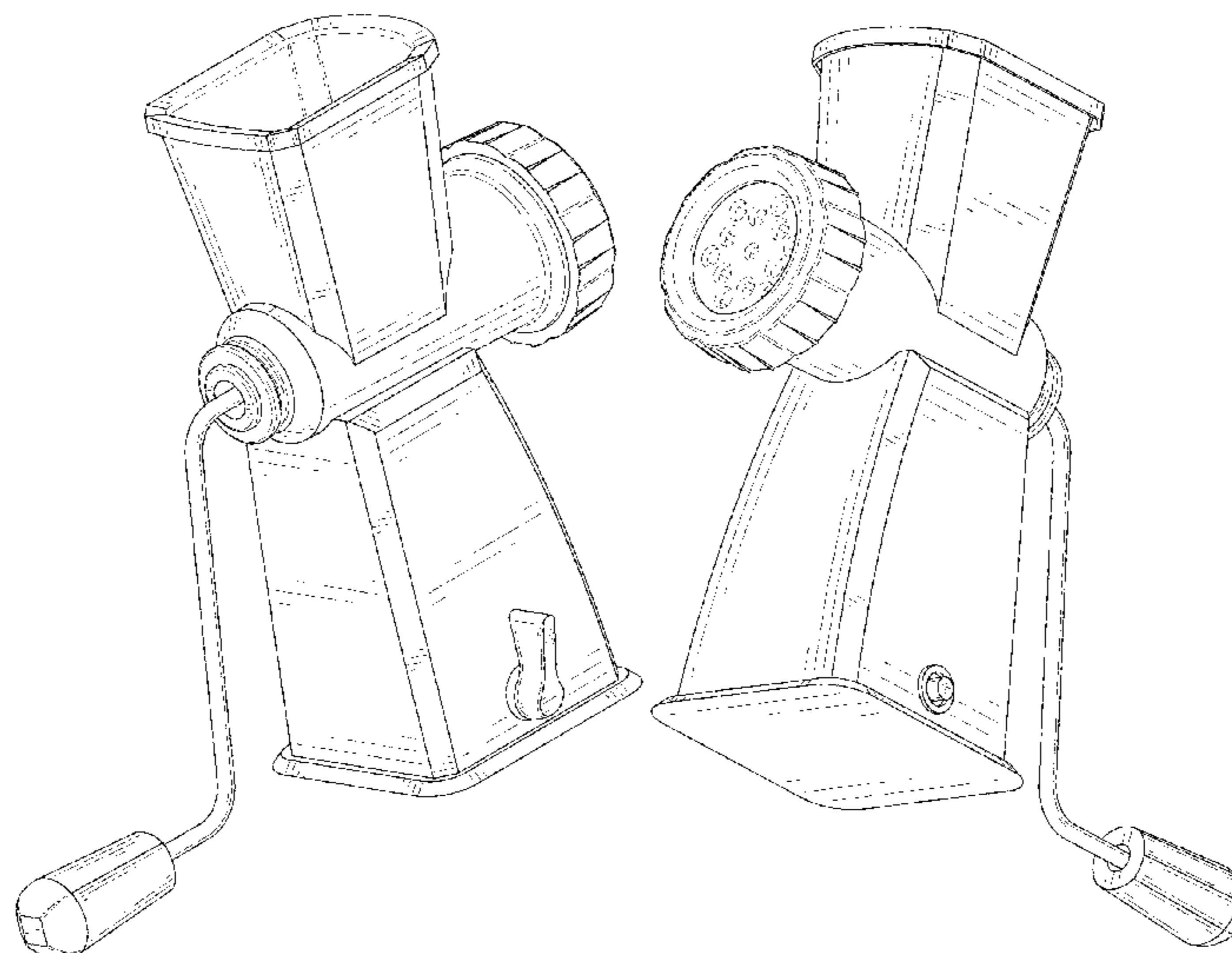
(57) **CLAIM**

The ornamental design for a meat grinder, as shown and  
described.

**DESCRIPTION**

FIG. 1 is a perspective view of a meat grinder showing my  
new design;  
FIG. 2 is another perspective view thereof;  
FIG. 3 is a front elevational view thereof;  
FIG. 4 is a rear elevational view thereof;  
FIG. 5 is a left side elevational view thereof,  
FIG. 6 is a right side elevational view thereof;  
FIG. 7 is a top plan view thereof;  
FIG. 8 is a bottom plan view thereof; and,  
FIG. 9 is an exploded view of the meat grinder showing the  
cup separate from the main body.  
The broken lines in the drawings depict portions of the meat  
grinder that form no part of the claimed design.

**1 Claim, 9 Drawing Sheets**



(56)

References Cited

U.S. PATENT DOCUMENTS

D222,209 S \* 10/1971 Dykes ..... D7/372  
 D236,425 S \* 8/1975 McCue ..... D8/34  
 D260,129 S \* 8/1981 Shun ..... D7/372  
 D260,351 S \* 8/1981 Shun ..... D7/372  
 D424,889 S \* 5/2000 Yip ..... D7/679  
 D530,996 S \* 10/2006 Yang ..... D7/693  
 D531,850 S \* 11/2006 Wong ..... D7/372  
 D568,346 S \* 5/2008 Hofman ..... D15/123  
 D641,597 S \* 7/2011 Tang ..... D7/678  
 D680,392 S \* 4/2013 Dichraff ..... D7/693  
 D683,577 S \* 6/2013 Cohen ..... D7/372  
 D694,074 S \* 11/2013 Wong ..... D7/678  
 D715,094 S \* 10/2014 Cornu ..... D7/372  
 D717,587 S \* 11/2014 Taghizadeh ..... D7/372  
 D749,379 S \* 2/2016 Exley ..... D7/693  
 D775,491 S \* 1/2017 Brinkley ..... D7/372  
 D780,536 S \* 3/2017 Wong ..... D7/678  
 D811,158 S \* 2/2018 Yuan ..... D7/372  
 D830,138 S \* 10/2018 Zhang ..... D7/679

D867,051 S \* 11/2019 McConnell ..... D7/372  
 D868,530 S \* 12/2019 Zhan ..... D7/372  
 D873,629 S \* 1/2020 Brouillac ..... D7/679  
 D885,822 S \* 6/2020 McConnell ..... D7/372  
 D891,853 S \* 8/2020 McConnell ..... D7/372  
 2006/0243837 A1 \* 11/2006 Wong ..... B02C 18/305  
 241/82.1

OTHER PUBLICATIONS

Best manual meat grinder for home use, announced Jan. 21, 2020 [online], retrieved Aug. 11, 2020, retrieved from internet, <https://www.wellfed.net/best-manual-meat-grinder-reviews/>.  
 Top 10 Best Meat Grinders on the Market, announced 2020 [online], retrieved Aug. 11, 2020, retrieved from internet, <https://www.chefsresource.com/best-meat-grinders/>.  
 The 10 Best Meat Grinders, announced Dec. 8, 2019 [online], retrieved Aug. 11, 2020, retrieved from internet, <https://wiki.ezvid.com/best-meat-grinders>.

\* cited by examiner

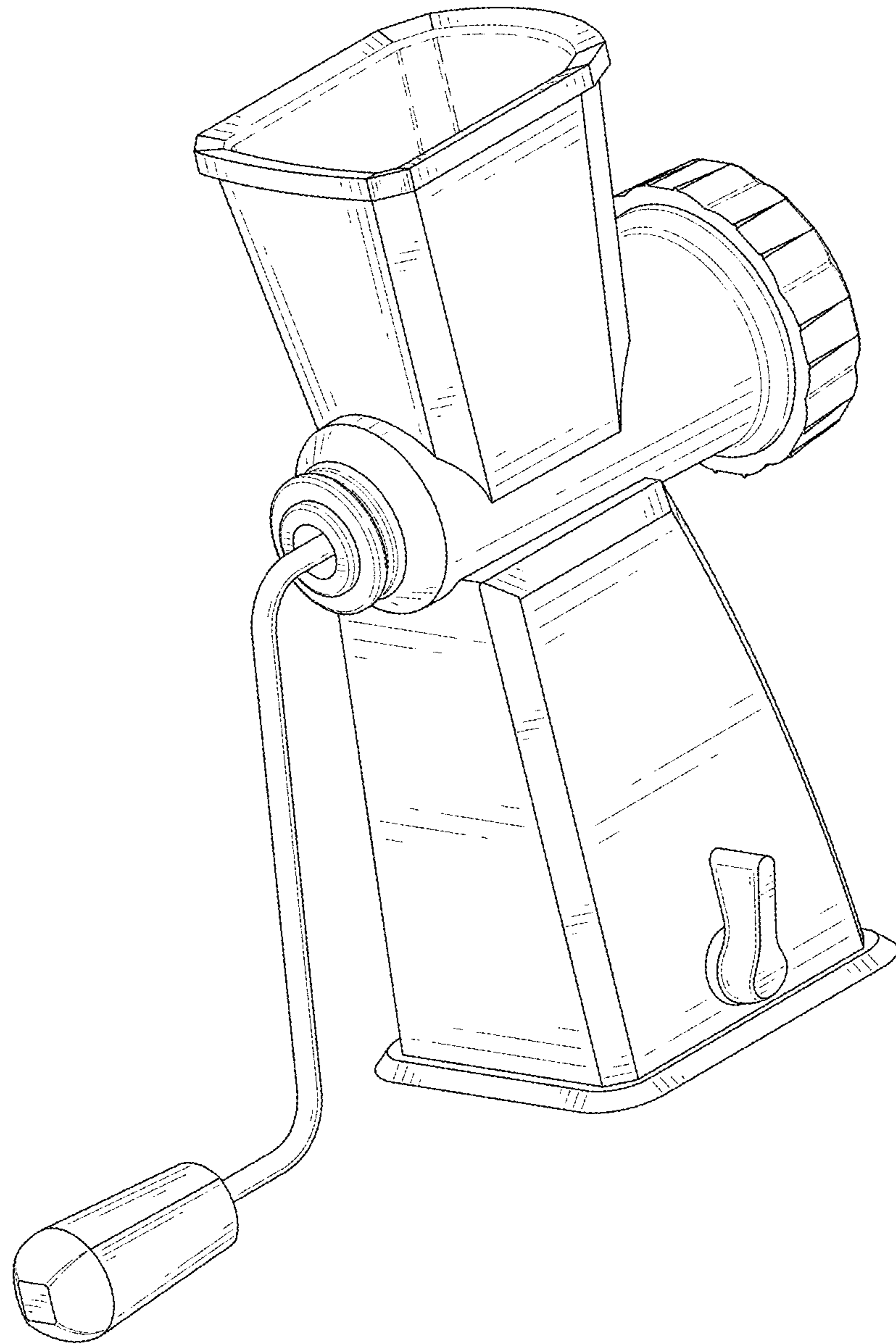


FIG. 1

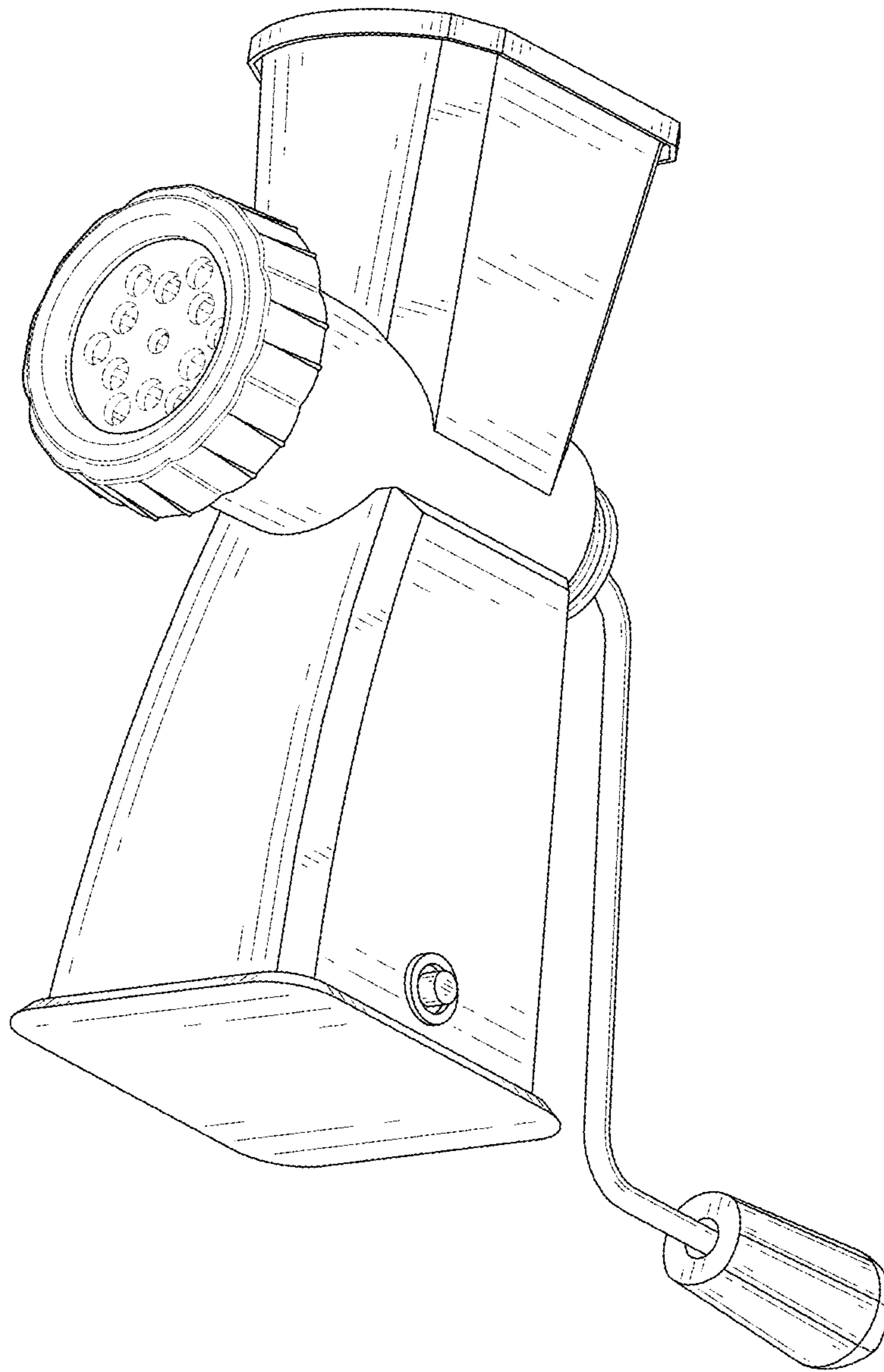


FIG. 2



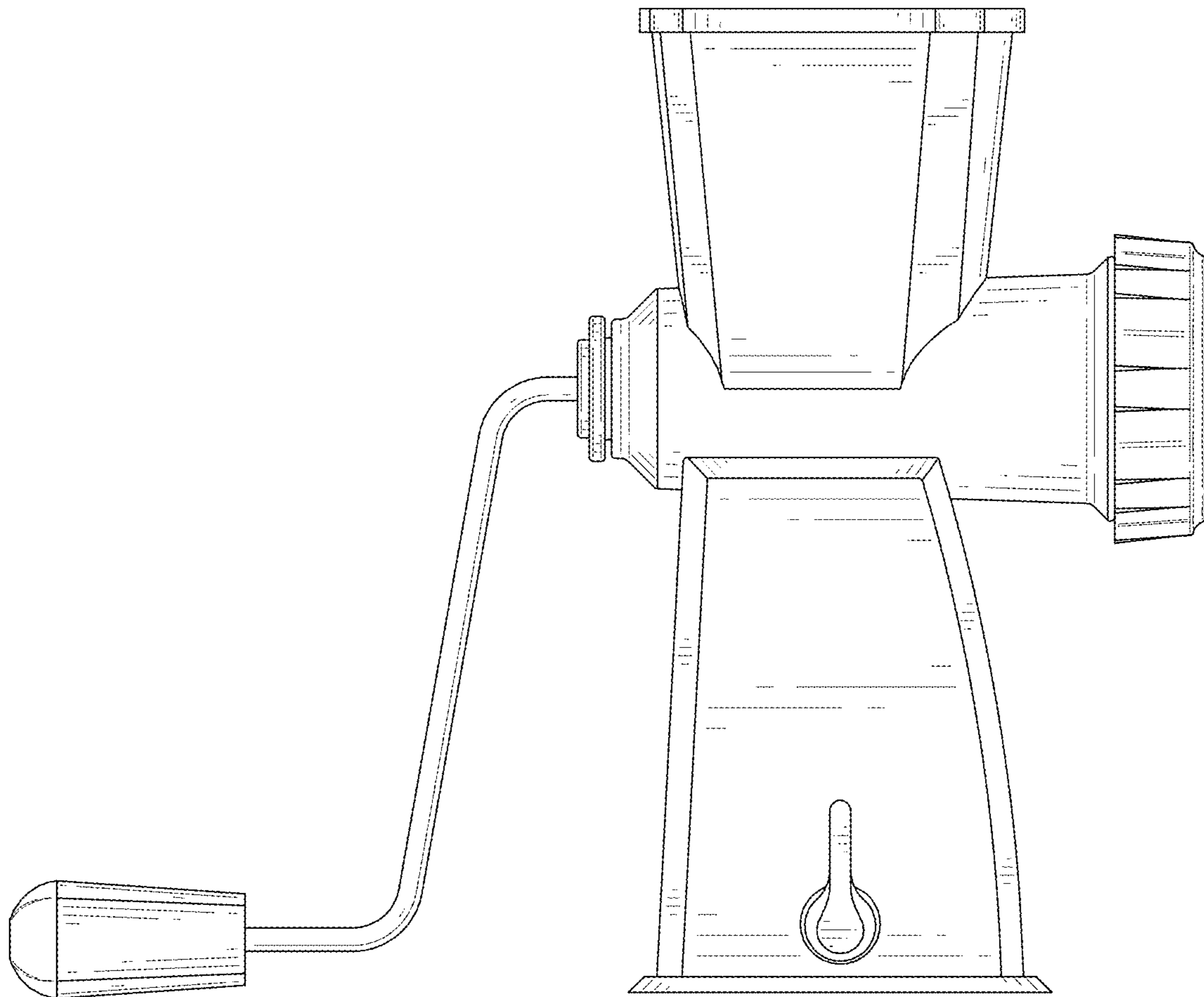


FIG. 3

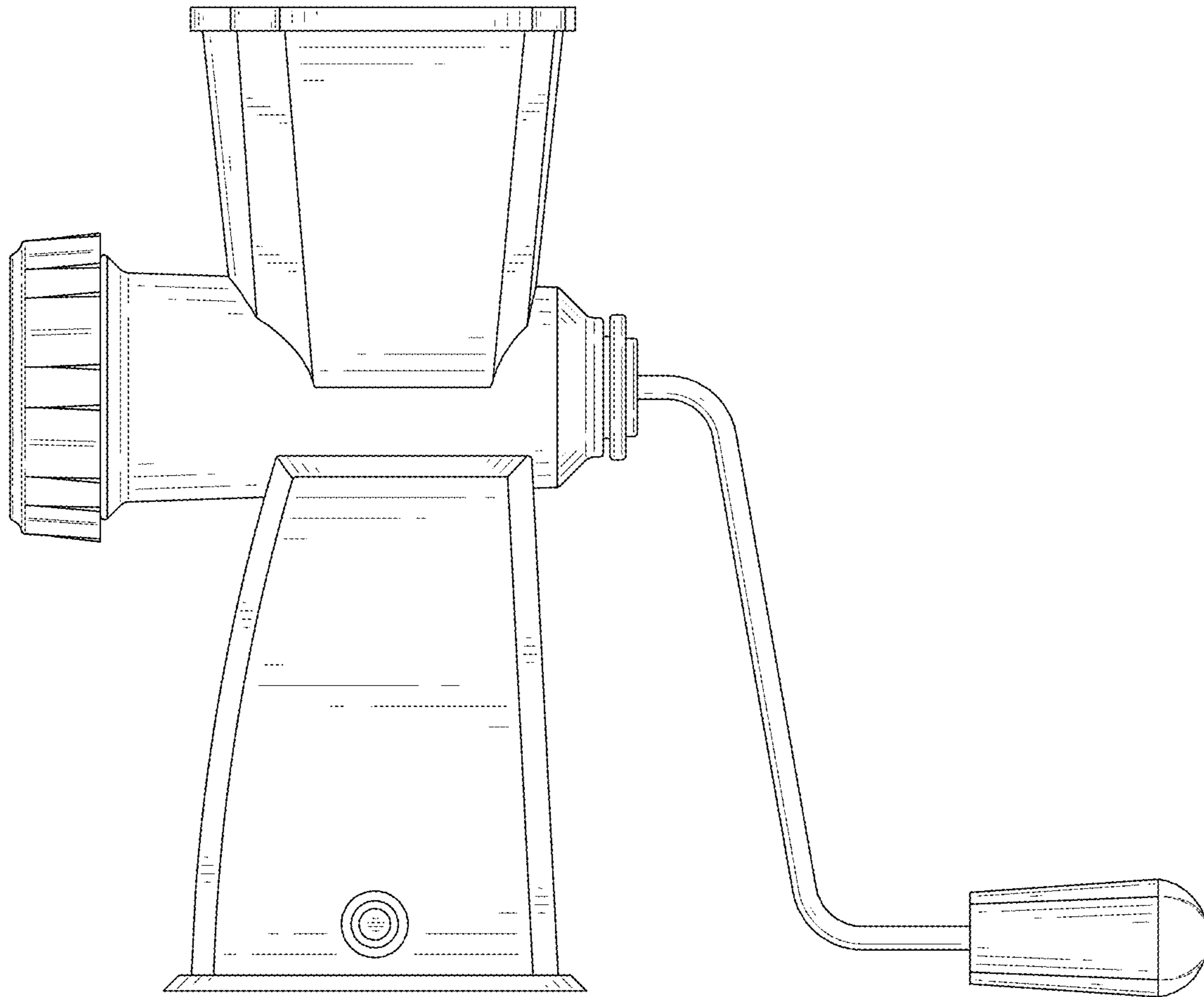


FIG. 4

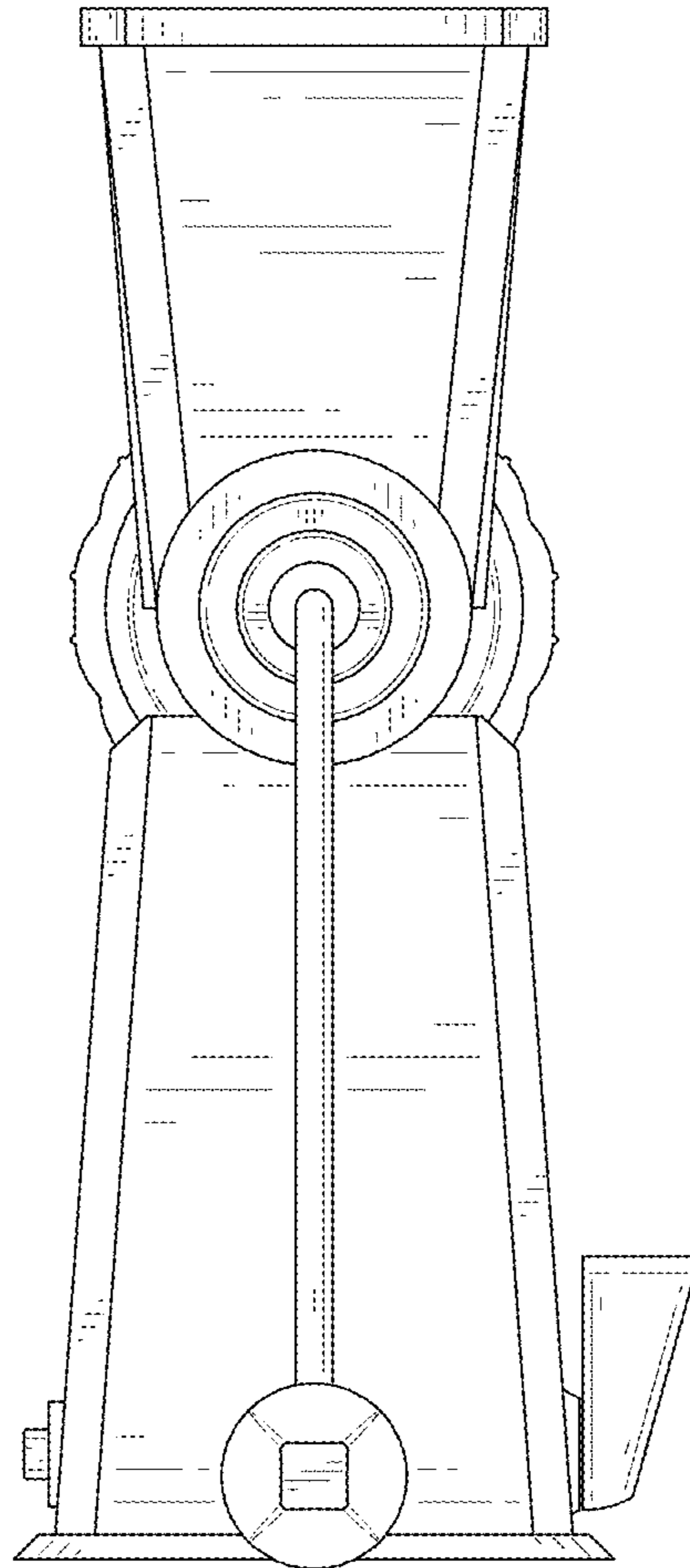


FIG. 5

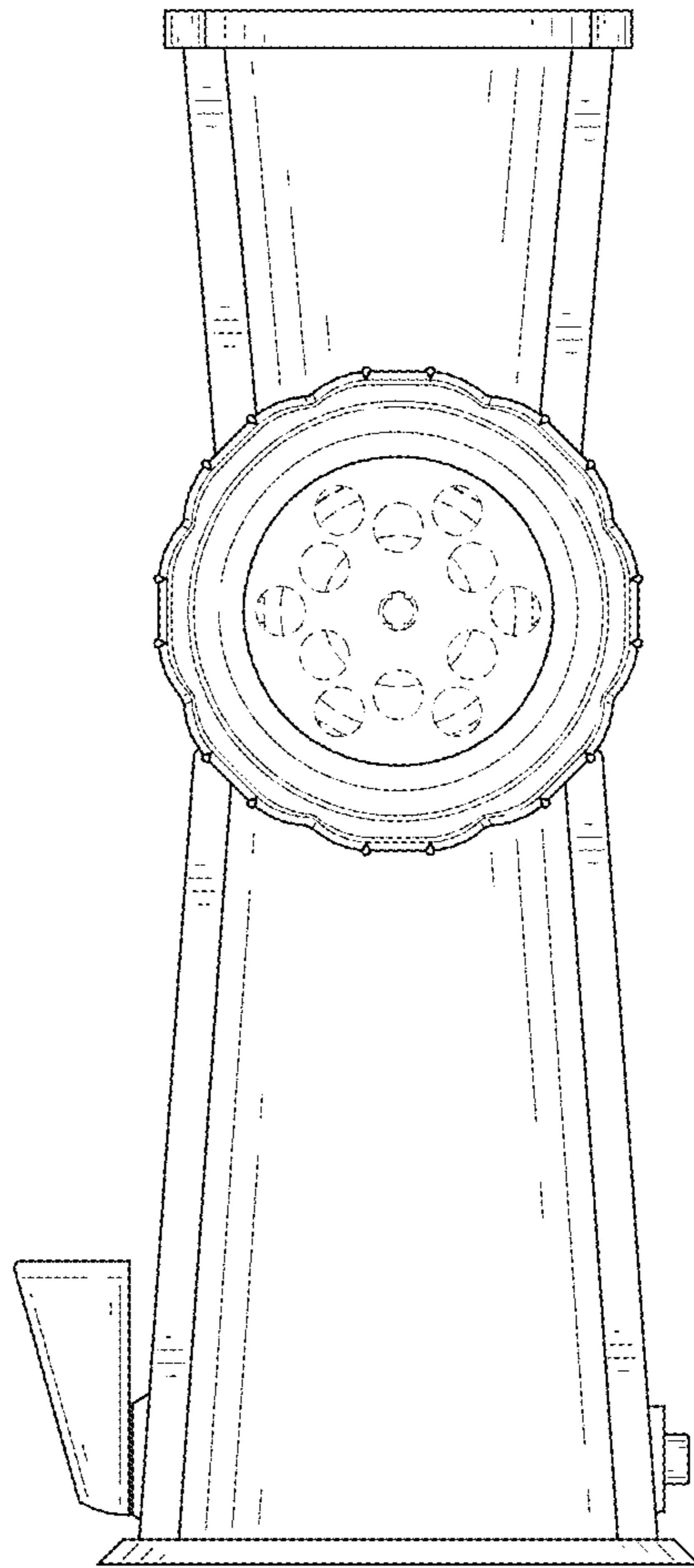


FIG. 6



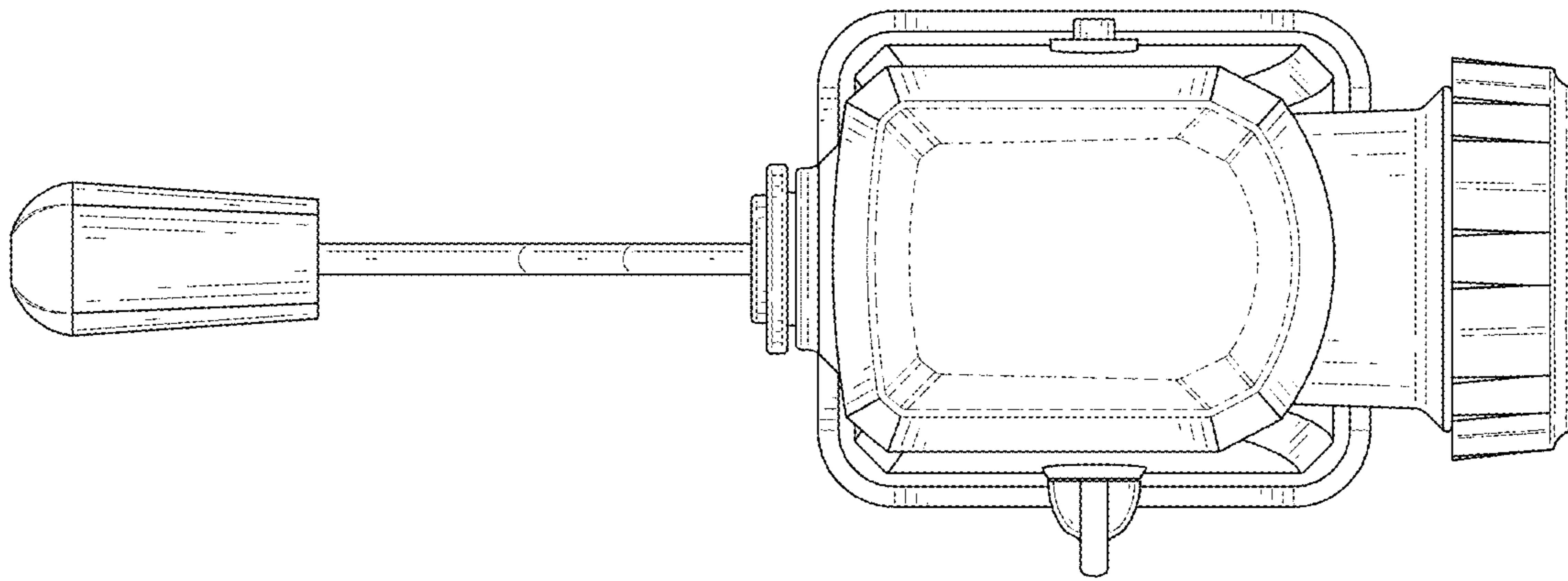


FIG. 7

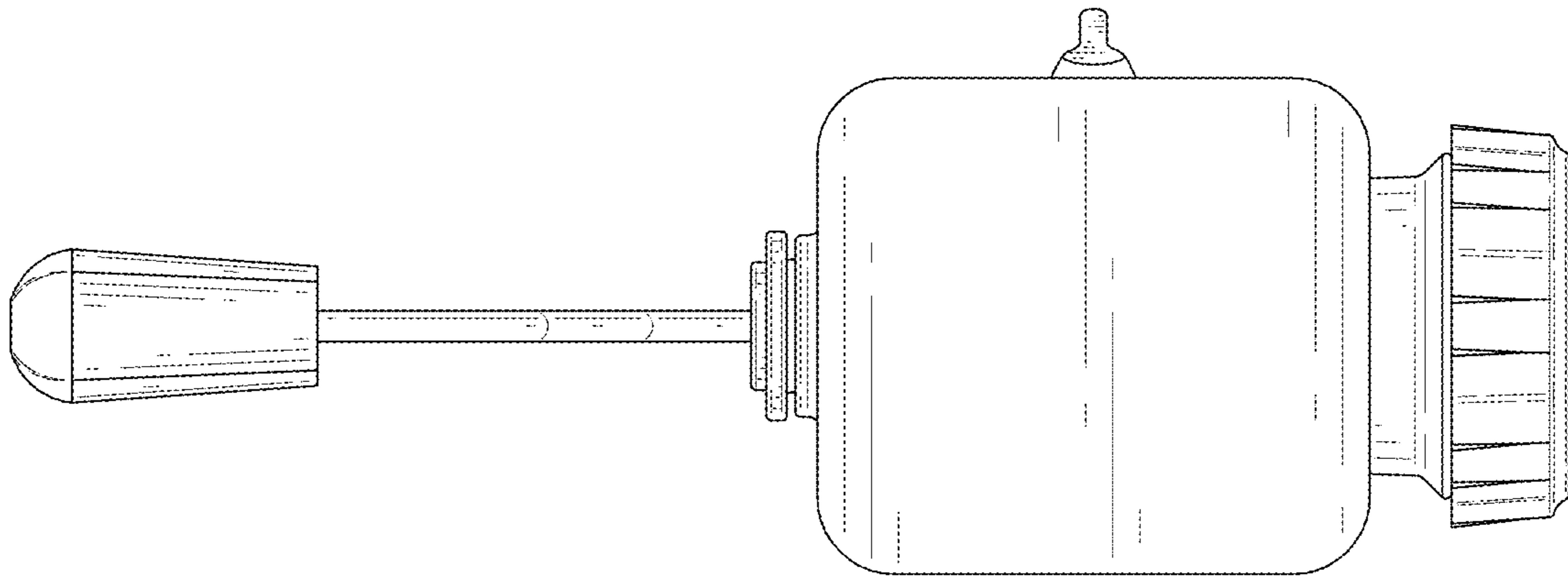


FIG. 8

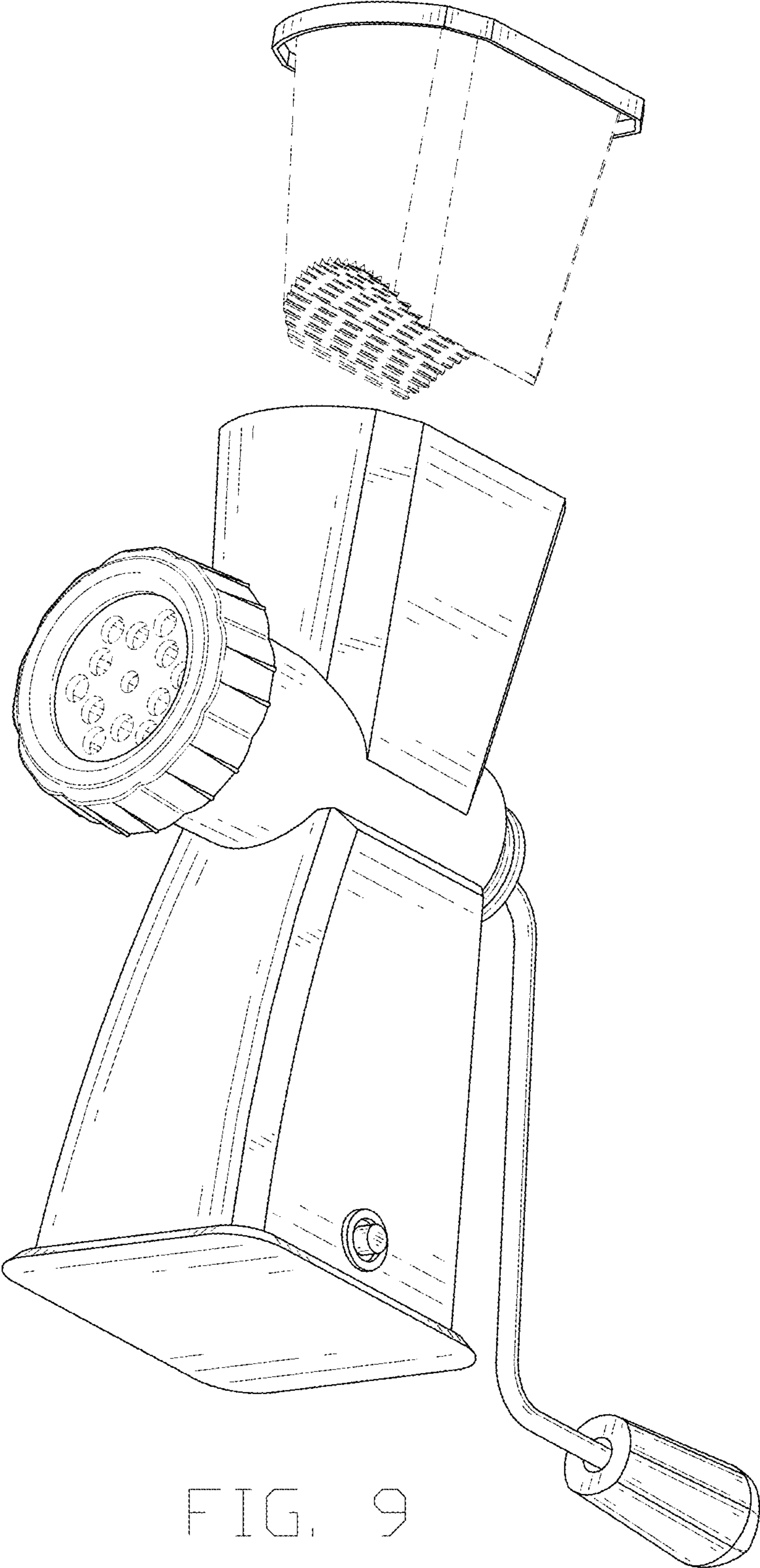


FIG. 9