



US00D901232S

(12) **United States Design Patent** (10) **Patent No.:** **US D901,232 S**  
**Seymour** (45) **Date of Patent:** **\*\* Nov. 10, 2020**

(54) **GRIDDLE**  
(71) Applicant: **National Presto Industries, Inc.**, Eau Claire, WI (US)  
(72) Inventor: **Justun Seymour**, Eau Claire, WI (US)  
(73) Assignee: **National Presto Industries**, Eau Claire, WI (US)

D568,095 S 5/2008 De' Longhi  
D575,098 S 8/2008 Seymour  
7,523,697 B2 4/2009 Hedrington  
D618,047 S 6/2010 Seymour  
D644,477 S 9/2011 Burton et al.  
D644,867 S 9/2011 Janvier  
D658,429 S 5/2012 Berge  
D660,640 S 5/2012 De'Longhi  
D674,656 S 1/2013 Berge et al.

(Continued)

(\*\*) Term: **15 Years**  
(21) Appl. No.: **29/653,993**  
(22) Filed: **Jun. 20, 2018**

**OTHER PUBLICATIONS**

"Presto 07071 Electric Tilt-N-fold Griddle", posted Jan. 13, 2017[online], [retrieved Oct. 27, 2019]. Retrieved from internet, <https://www.amazon.com/product-reviews/B01GD1J5WA>.\*

(Continued)

**Related U.S. Application Data**

(62) Division of application No. 29/569,399, filed on Jun. 27, 2016, now Pat. No. Des. 823,047.  
(51) **LOC (12) Cl.** ..... **07-02**  
(52) **U.S. Cl.**  
USPC ..... **D7/363**; D7/362; D7/367  
(58) **Field of Classification Search**  
USPC ..... D7/323, 354-363, 391, 393-397, 399, D7/402-403, 409  
CPC ..... A47J 37/00; A47J 37/10; A47J 36/025; A47J 36/02  
See application file for complete search history.

*Primary Examiner* — Sandra Snapp  
*Assistant Examiner* — Mehri Bajoul

(57) **CLAIM**

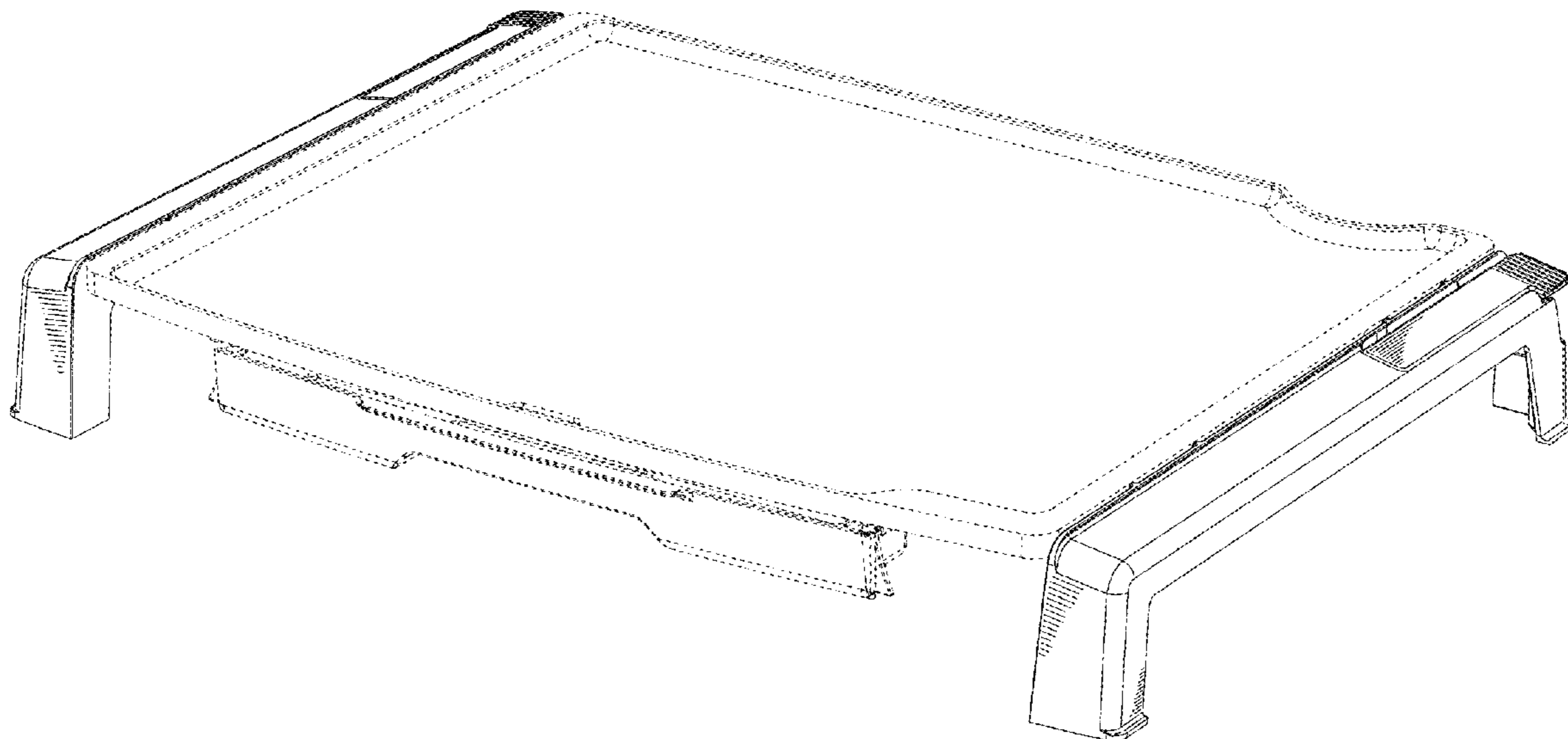
The ornamental design for a griddle, as shown and described.

**DESCRIPTION**

FIG. 1 is a perspective view of a griddle having a left leg and a right leg, showing my new design;  
FIG. 2 is a top plan view of the left leg thereof, the right leg removed for ease of illustration;  
FIG. 3 is a left side view of the left leg thereof, the right leg removed for ease of illustration;  
FIG. 4 is a right side view of the left leg thereof, the right leg removed for ease of illustration;  
FIG. 5 is an enlarged front view of the left leg thereof, the right leg removed for ease of illustration; and,  
FIG. 6 is an enlarged back view of the left leg thereof, the right leg removed for ease of illustration.  
The broken lines in the drawings depict portions of the griddle and form no part of the claimed design.

**1 Claim, 5 Drawing Sheets**

(56) **References Cited**  
U.S. PATENT DOCUMENTS  
5,467,696 A 11/1995 Everhart  
D431,152 S 9/2000 Lee  
D436,796 S \* 1/2001 Kalina ..... D7/363  
D437,182 S 2/2001 Choi  
D437,183 S 2/2001 Wong et al.  
RE37,152 E \* 5/2001 O'Brien ..... A47J 37/0676 219/450.1  
D441,250 S 5/2001 Choi  
D503,067 S 3/2005 Lubowicki  
D548,002 S 8/2007 De'longhi



(56)

**References Cited**

U.S. PATENT DOCUMENTS

D676,273 S 2/2013 Liu  
D685,605 S 7/2013 Xin  
D697,752 S 1/2014 De' Longhi et al.  
D702,500 S 4/2014 Ishii et al.  
D711,186 S 8/2014 De'longhi et al.  
D730,679 S 6/2015 Wu  
D731,227 S 6/2015 Marsh-croft  
D741,651 S 10/2015 Marsh-croft  
D745,802 S 12/2015 Yao  
D746,097 S 12/2015 Davenport  
D747,622 S 1/2016 Yang  
D749,887 S 2/2016 Chang  
D755,560 S 5/2016 Day et al.  
D758,784 S 6/2016 Hunt et al.  
D758,785 S 6/2016 Verbrugge  
D760,015 S 6/2016 Koszylko  
D760,016 S 6/2016 Koszylko

D760,018 S 6/2016 Koszylko  
D760,532 S 7/2016 Koszylko  
D761,052 S 7/2016 Varney et al.  
D766,645 S 9/2016 Koszylko  
D823,047 S \* 7/2018 Seymour ..... D7/363  
D859,062 S \* 9/2019 Berge ..... D7/363

OTHER PUBLICATIONS

"U.S. Appl. No. 29/569,399, Notice of Allowance dated Mar. 20, 2018", 8 pgs.  
"U.S. Appl. No. 29/569,399, Preliminary Amendment filed Jul. 28, 2016".  
"U.S. Appl. No. 29/569,399, Response filed Oct. 13, 2017 to Restriction Requirement dated Sep. 29, 2017", 3 pgs.  
"U.S. Appl. No. 29/569,399, Restriction Requirement dated Sep. 29, 2017", 9 pgs.  
U.S. Appl. No. 29/569,399, filed Jun. 27, 2016, Griddle.

\* cited by examiner

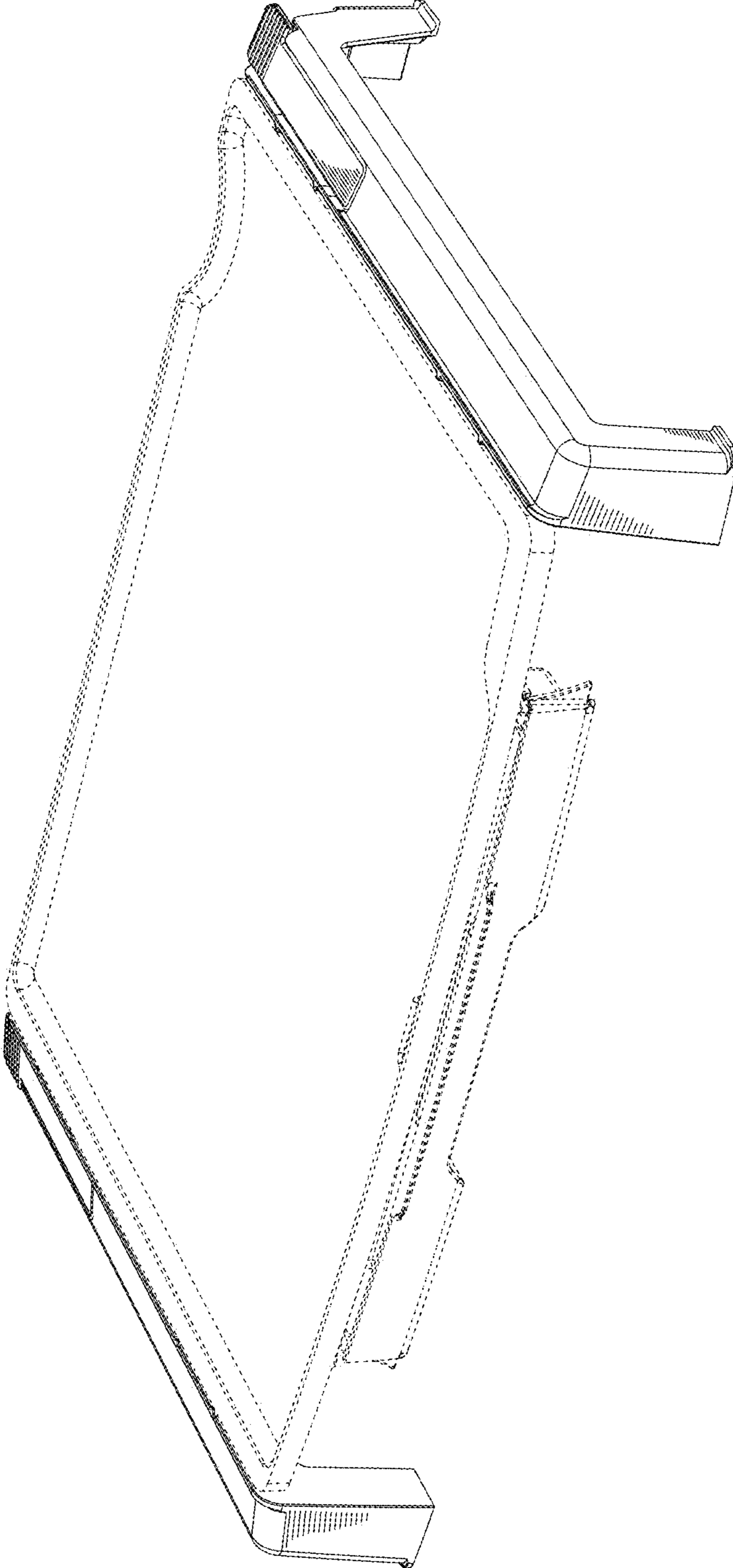


FIG. 1

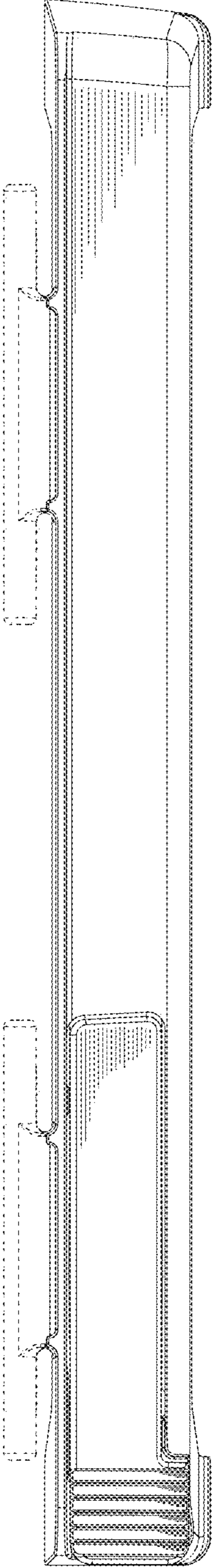


FIG. 2



FIG. 3

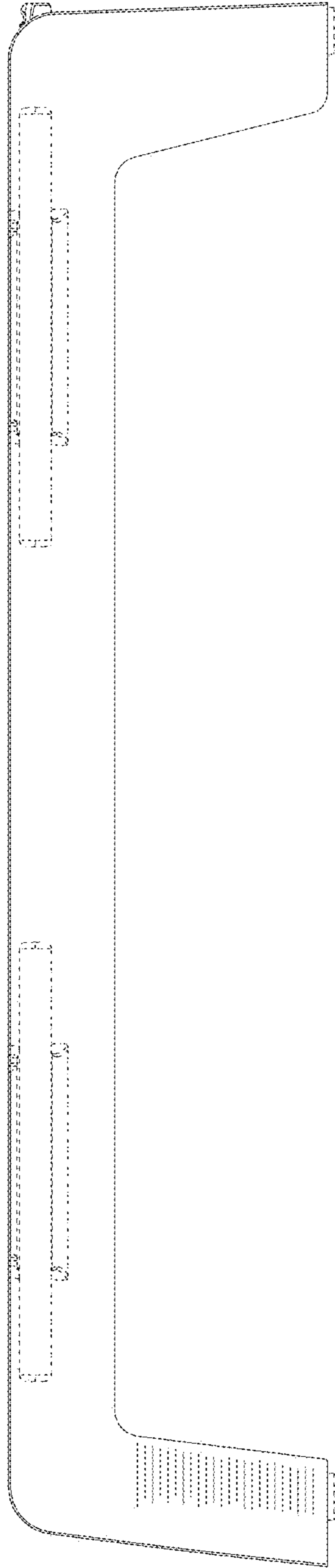


FIG. 4

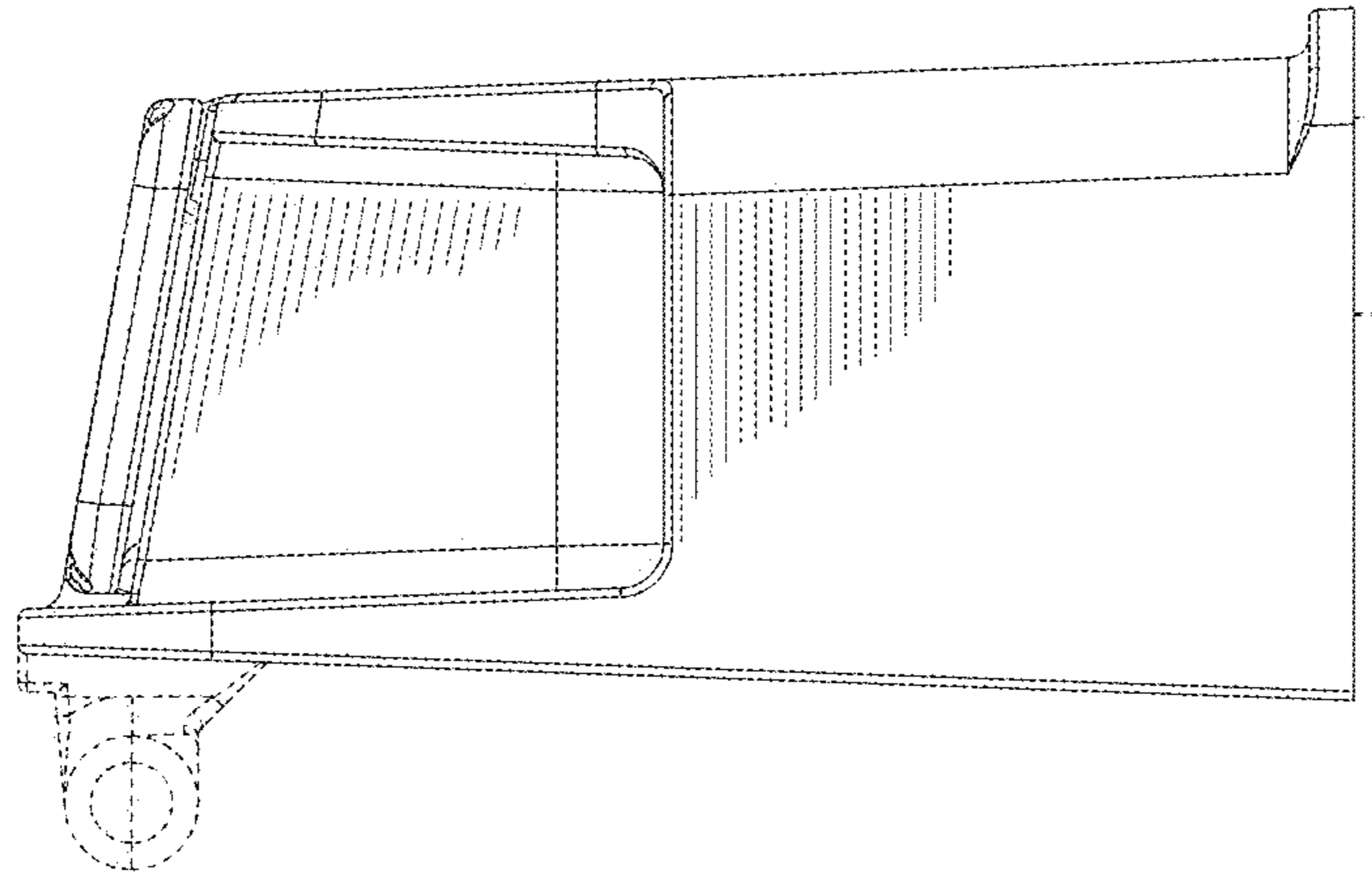


FIG. 6

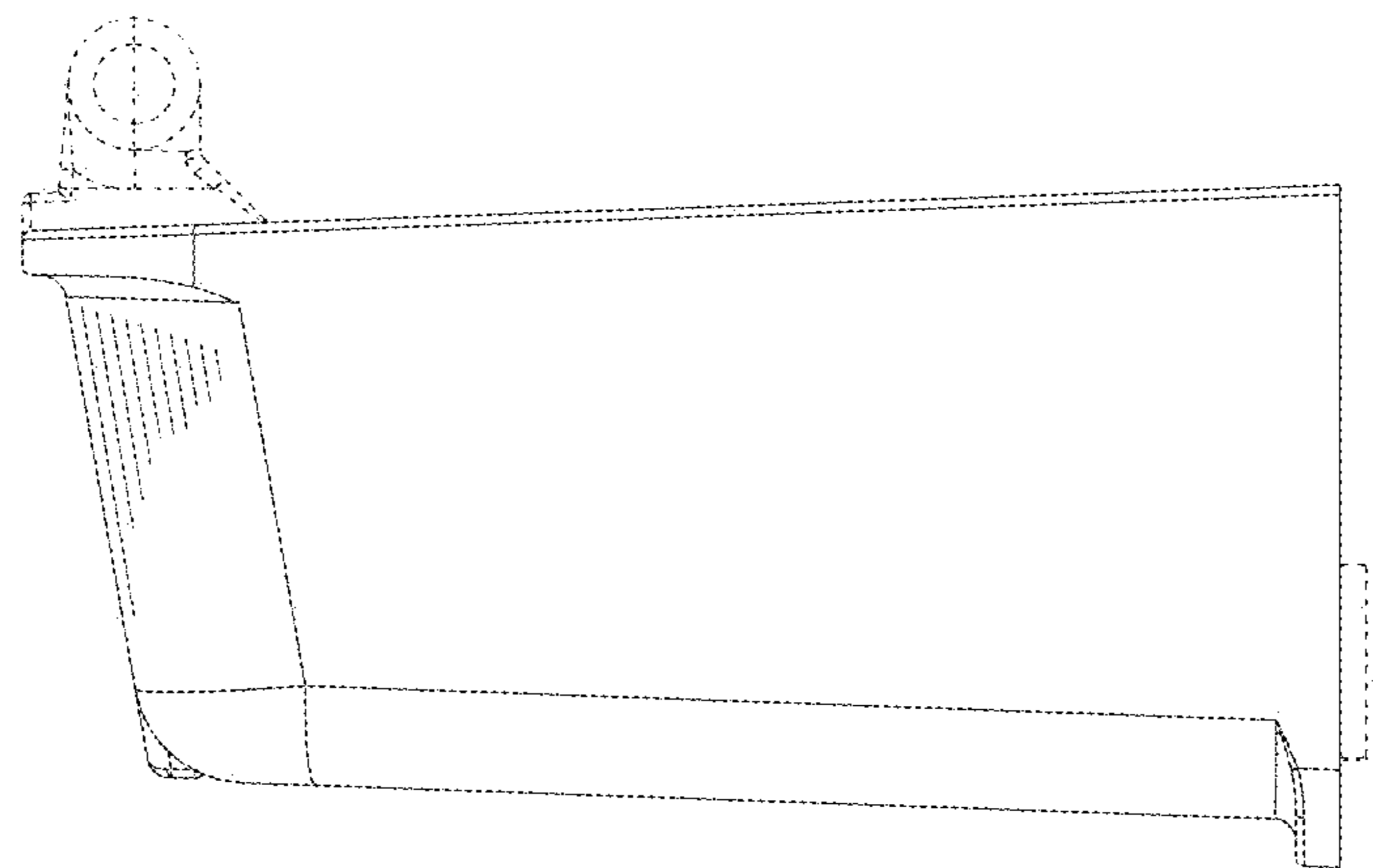


FIG. 5