



US00D901229S

(12) **United States Design Patent**
Ou et al.

(10) **Patent No.:** **US D901,229 S**

(45) **Date of Patent:** **** Nov. 10, 2020**

(54) **AIR FRYER**

(71) Applicant: **SHENZHEN QIANHAI PATUOXUN NETWORK AND TECHNOLOGY CO., LTD**, Shenzhen (CN)

(72) Inventors: **Shiwei Ou**, Shenzhen (CN); **Xianwei Liu**, Shenzhen (CN); **Jie Xiao**, Shenzhen (CN)

(73) Assignee: **SHENZHEN QIANHAI PATUOXUN NETWORK AND TECHNOLOGY CO., LTD**, Shenzhen (CN)

(**) Term: **15 Years**

(21) Appl. No.: **29/740,426**

(22) Filed: **Jul. 3, 2020**

(51) **LOC (12) Cl.** **07-02**

(52) **U.S. Cl.**
USPC **D7/354; D7/361**

(58) **Field of Classification Search**
USPC D7/323, 354–361, 405
CPC A23L 1/01; A23L 1/0107; A23L 1/0114; A47J 27/00; A47J 27/08; A47J 27/09; A47J 27/092; A47J 36/025; A47J 36/06; A47J 36/08; A47J 36/10; A47J 36/12; A47J 36/165; A47J 36/18; A47J 36/20; A47J 36/22; A47J 37/00; A47J 37/0641; A47J 37/12; A47J 37/1204; A47J 37/1209; A47J 37/1214; A47J 37/1219; A47J 37/1266; A47J 37/1285; A47J 37/129; A47J 37/1295; G07F 17/0064; G07F 17/0078; G07F 17/0085; H05B 6/02; H05B 6/06; H05B 6/12
See application file for complete search history.

(56) **References Cited**

U.S. PATENT DOCUMENTS

D719,397 S * 12/2014 Krooshof A47J 37/0641 D7/354
D816,390 S * 5/2018 Zhang D7/354

D817,698 S * 5/2018 Liu D7/361
D836,381 S * 12/2018 Moon D7/354
D848,198 S * 5/2019 Kowalewski et al.
D848,200 S * 5/2019 Kowalewski D7/354
D855,396 S * 8/2019 Zhang D7/405
D871,827 S * 1/2020 Moon D7/354
D873,600 S * 1/2020 Hu
D875,463 S * 2/2020 Chen D7/354
D878,138 S * 3/2020 Van Ratingen D7/354
D878,850 S * 3/2020 Hu D7/354
D879,542 S * 3/2020 Chen D7/354
D880,220 S * 4/2020 Chen D7/354
D883,729 S * 5/2020 Yang D7/354

OTHER PUBLICATIONS

Proscenic T21 Smart Air Fryer; Date First Available on Amazon Jul. 31, 2019 <https://www.amazon.com/Proscenic-T21-Electric-Touchscreen-Nonstick/dp/B07VWHVCHK/> (Year: 2019).*

* cited by examiner

Primary Examiner — Ricky Pham

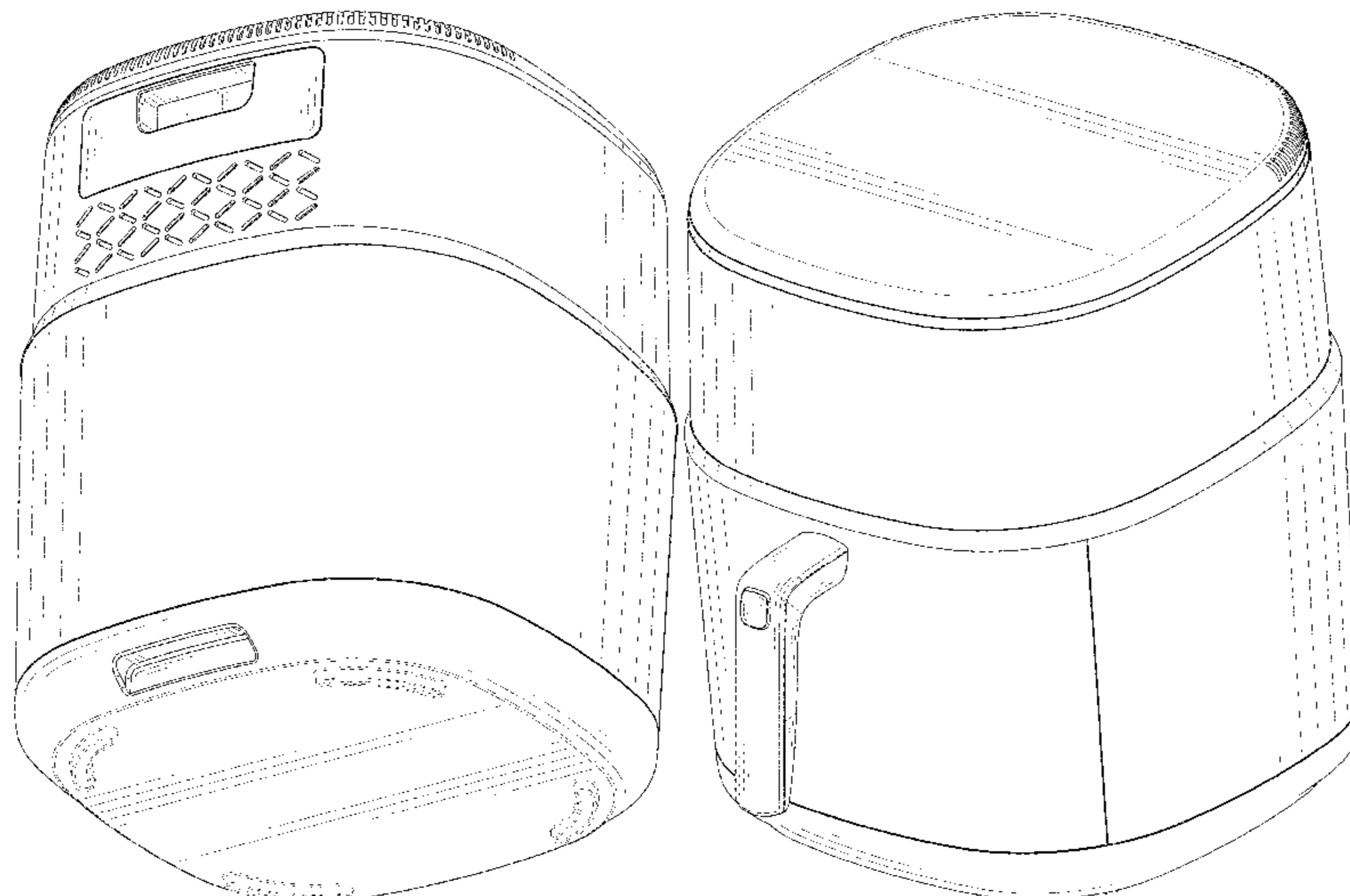
(57) **CLAIM**

The ornamental design for an air fryer, as shown and described.

DESCRIPTION

FIG. 1 is a perspective view of an air fryer showing our new design;
FIG. 2 is another perspective view thereof;
FIG. 3 is a front elevational view thereof
FIG. 4 is a rear elevational view thereof;
FIG. 5 is a left side elevational view thereof;
FIG. 6 is a right side elevational view thereof;
FIG. 7 is a top plan view thereof; and,
FIG. 8 is a bottom plan view thereof.
The broken lines in the drawings depict portions of the air fryer that form no part of the claimed design.

1 Claim, 8 Drawing Sheets



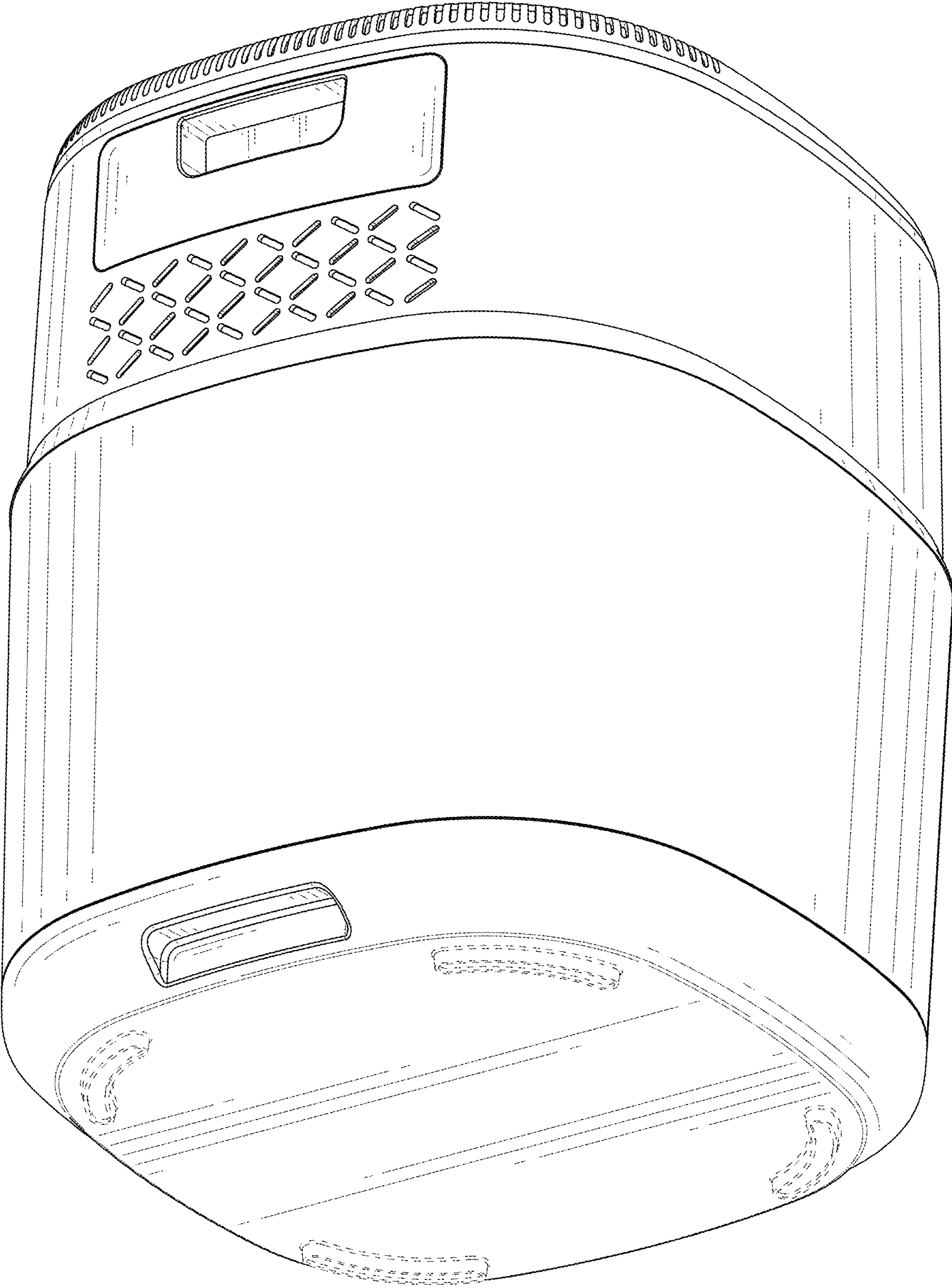


FIG. 1

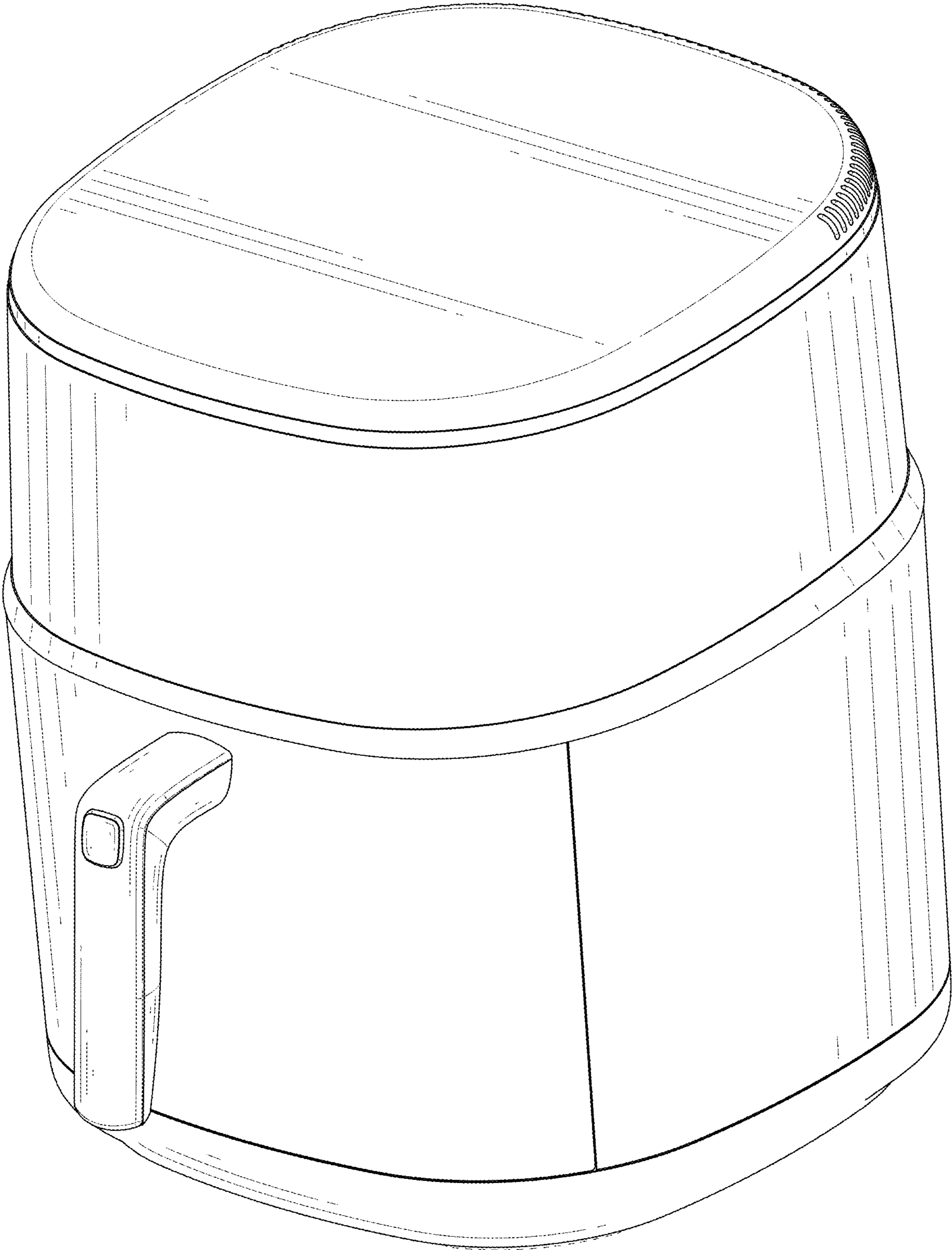


FIG. 2

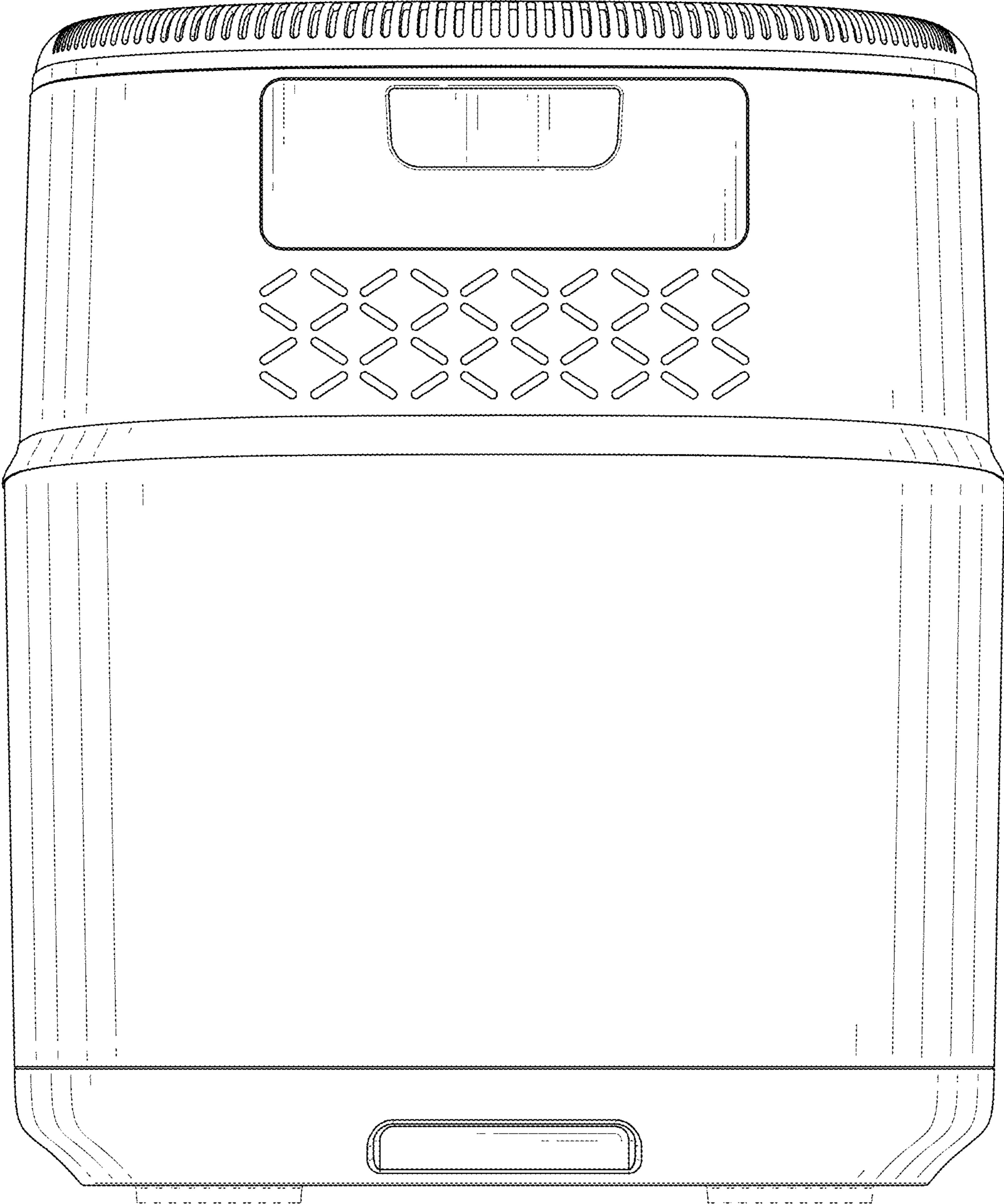


FIG. 3

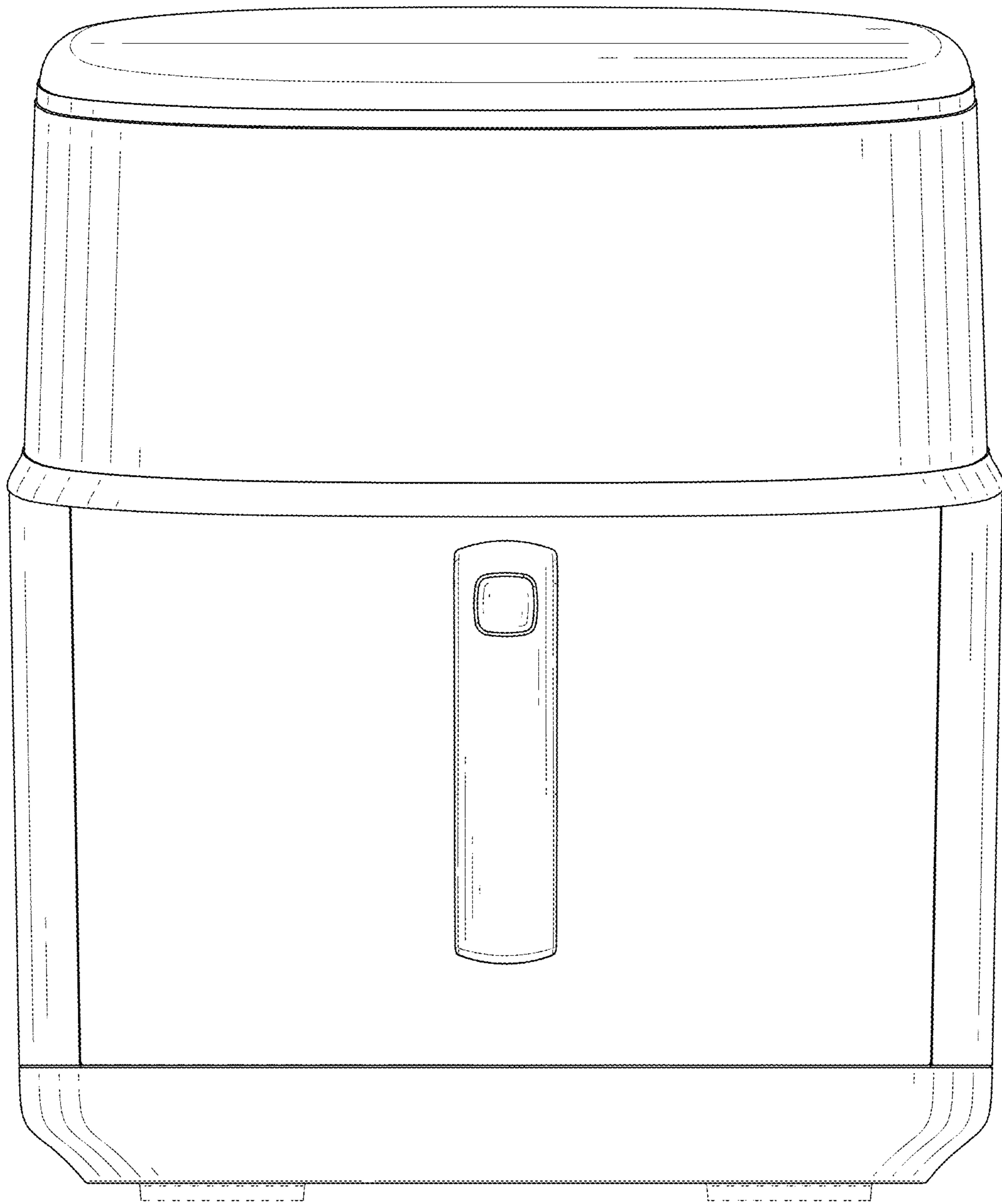


FIG. 4

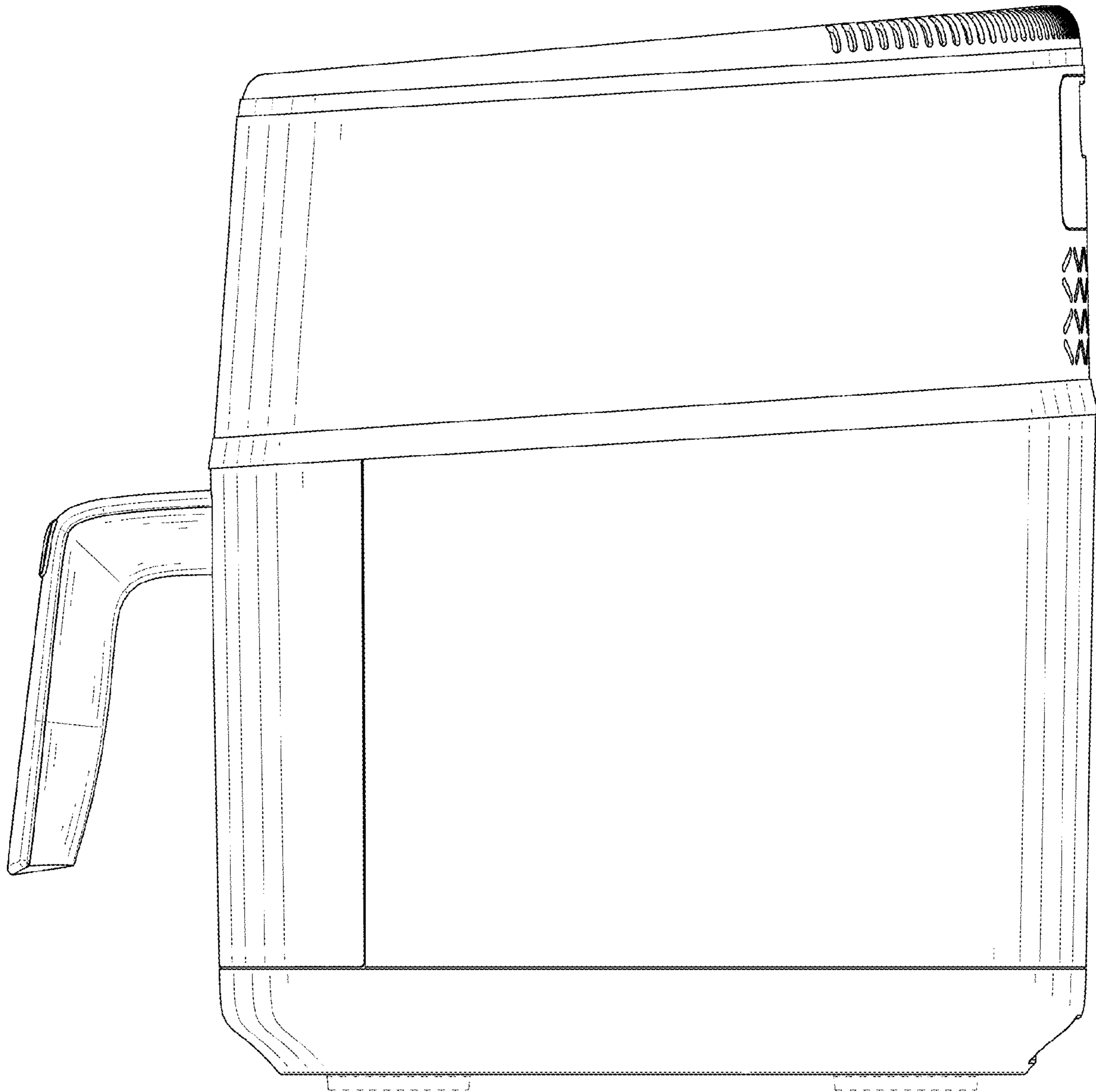


FIG. 5

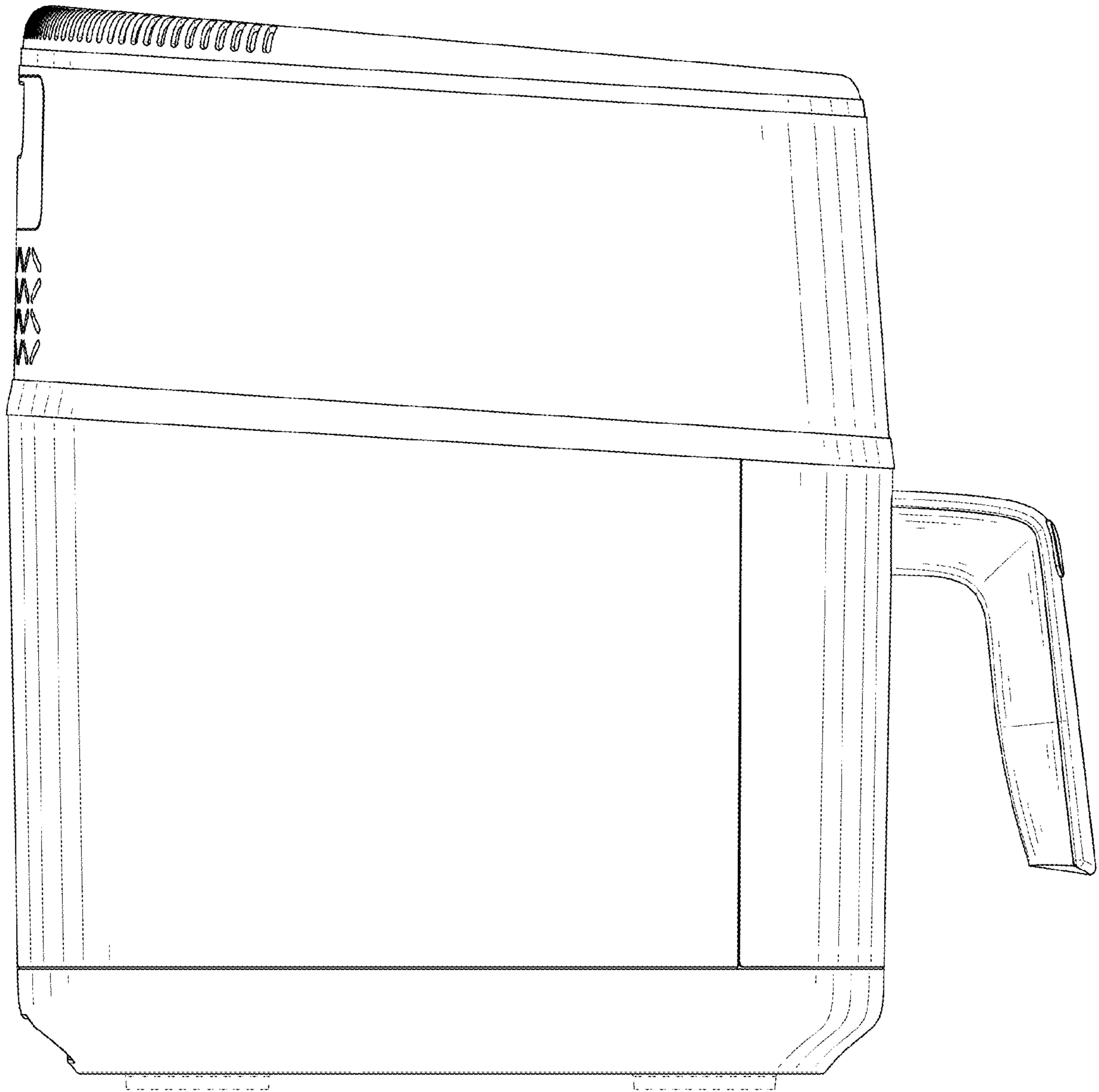


FIG. 6

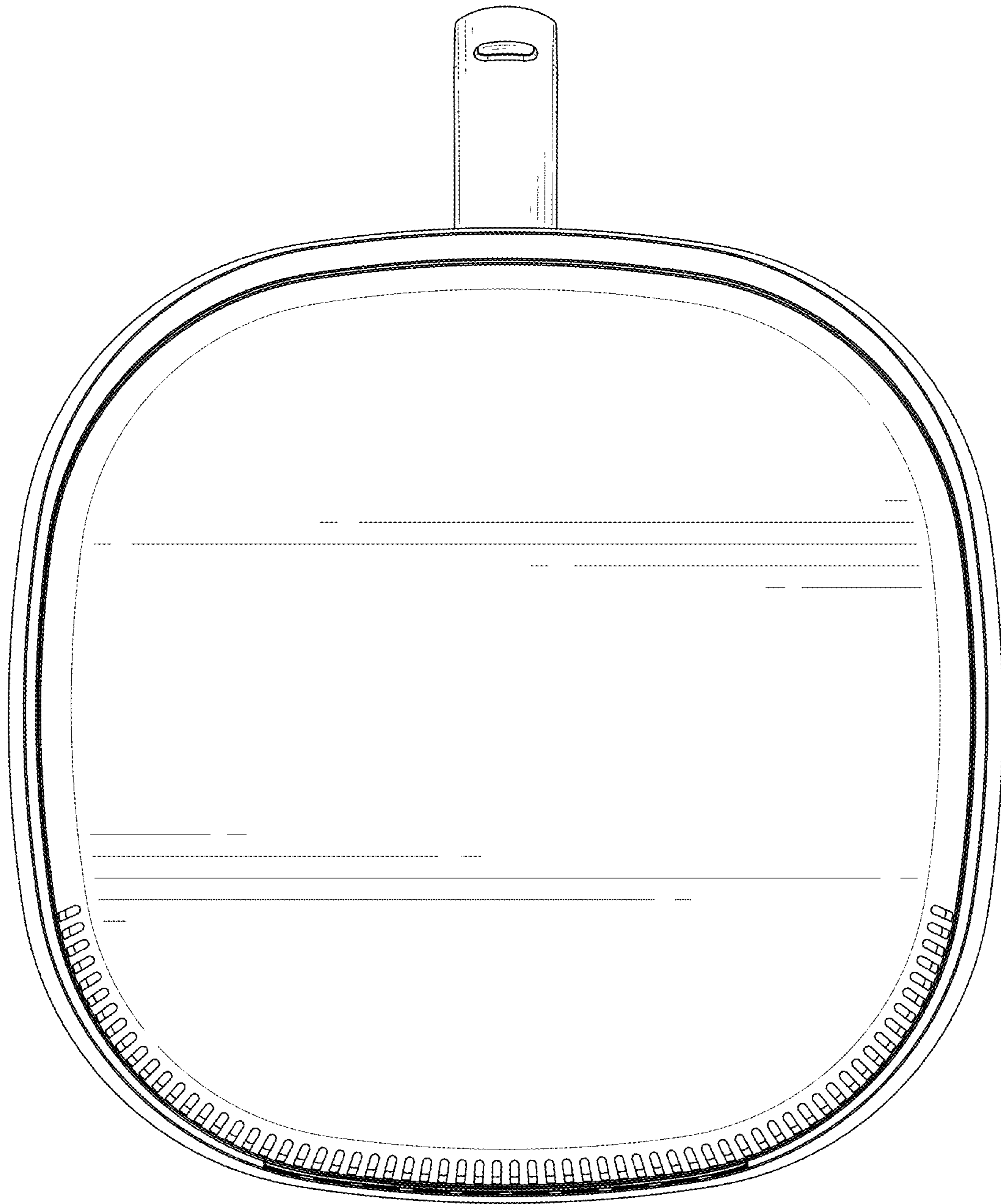


FIG. 7

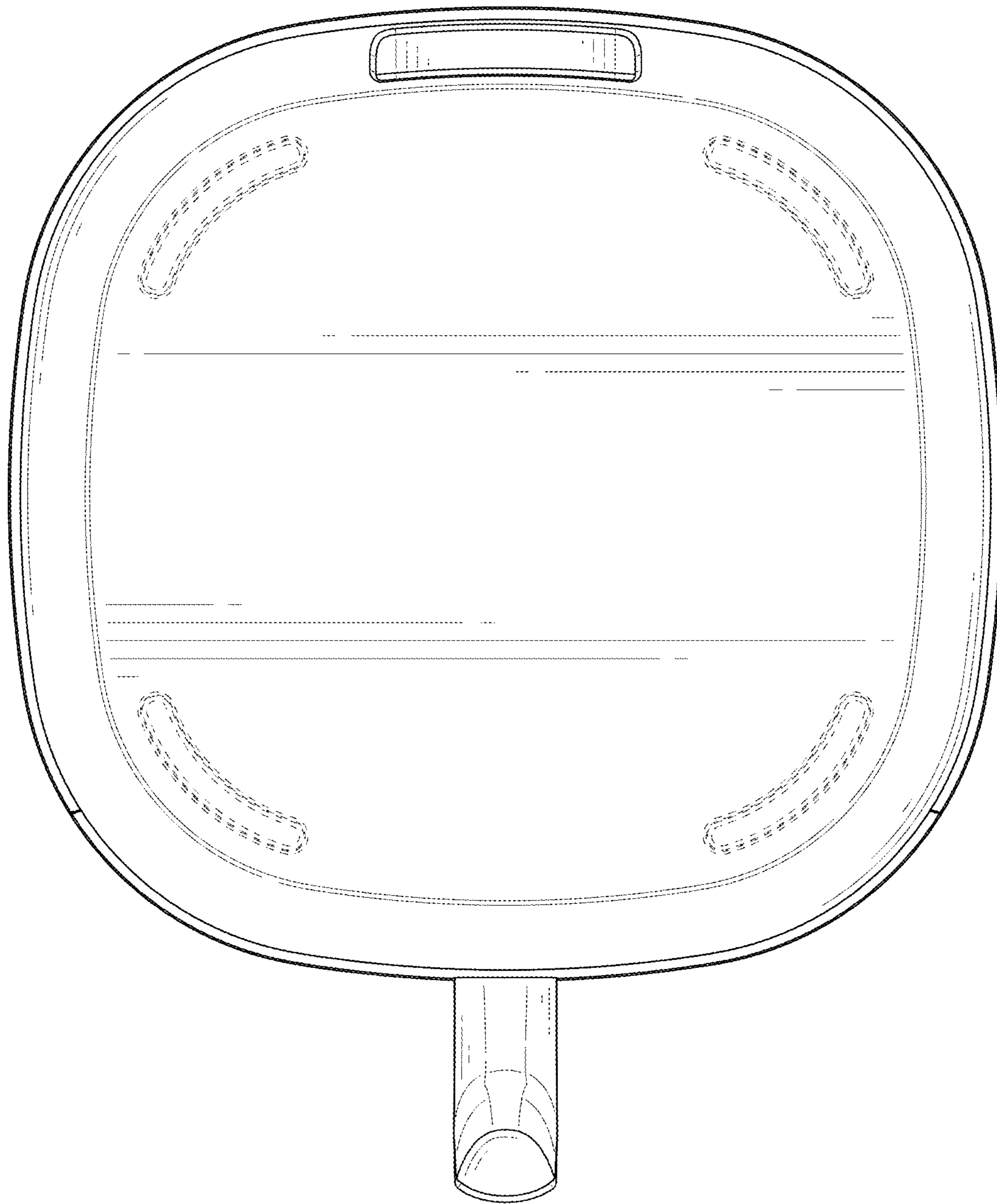


FIG. 8