



US00D901228S

(12) **United States Design Patent**
Bray

(10) **Patent No.:** **US D901,228 S**

(45) **Date of Patent:** **** Nov. 10, 2020**

(54) **MICROWAVE OVEN CAVITY LINER**

FOREIGN PATENT DOCUMENTS

(71) Applicant: **REGALE MICROWAVE OVENS LTD**, Hampshire (GB)

CA 2494174 A1 2/2004
GB 3013382 6/2003

(Continued)

(72) Inventor: **Patrick L. Bray**, Hampshire (GB)

OTHER PUBLICATIONS

(73) Assignee: **REGALE MICROWAVE OVENS LTD** (GB)

“Microwave Liner for Panasonic V 2”; https://www.youtube.com/watch?v=EsayTg79_IQ&feature=emb_logo; Announced Apr. 24, 2019 (online); 3 pgs.

(**) Term: **15 Years**

(21) Appl. No.: **29/634,547**

Primary Examiner — Michael A. Pratt

(22) Filed: **Jan. 23, 2018**

(74) *Attorney, Agent, or Firm* — Gardner Groff & Greenwald, PC

(30) **Foreign Application Priority Data**

(57) **CLAIM**

Jul. 24, 2017 (GB) 6015844

The ornamental design for a microwave oven cavity liner, substantially as shown and described.

(51) **LOC (12) Cl.** **07-02**

(52) **U.S. Cl.**
USPC **D7/351**

DESCRIPTION

(58) **Field of Classification Search**
USPC D7/351
CPC H05B 6/6402; H05B 6/6405
See application file for complete search history.

FIG. 1 is a perspective view of a microwave oven cavity liner, showing my new design.

FIG. 2 is a front view of the microwave oven cavity liner shown in FIG. 1.

FIG. 3 is a rear view of the microwave oven cavity liner shown in FIG. 1.

FIG. 4 is a first side view of the microwave oven cavity liner shown in FIG. 1.

FIG. 5 is a second side view of the microwave oven cavity liner shown in FIG. 1.

FIG. 6 is a top view of the microwave oven cavity liner shown in FIG. 1.

FIG. 7 is a bottom view of the microwave oven cavity liner shown in FIG. 1; and,

FIG. 8 is a cross-sectional view, taken at section 8-8 in FIG. 6, of the microwave oven cavity liner shown in FIG. 1.

The broken lines are shown for the purpose of illustrating parts of the article that form no part of the claim.

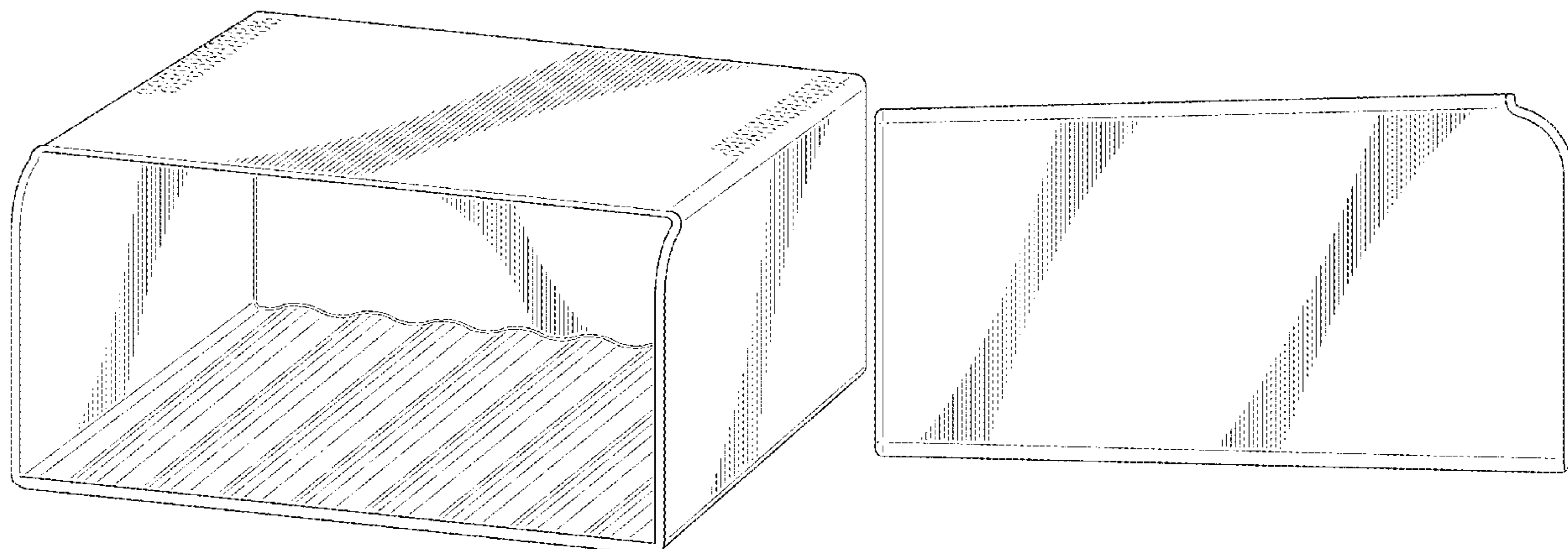
(56) **References Cited**

U.S. PATENT DOCUMENTS

33,079 A	8/1861	Fisher et al.	
711,285 A	10/1902	Carter	
888,108 A	5/1908	Moon	
910,255 A	1/1909	Woollett	
980,680 A	1/1911	Ross	
3,380,444 A	4/1968	Stalker	
D260,104 S	8/1981	Klawitter	
4,495,251 A *	1/1985	Eichelberger H05B 6/6426 219/756
D303,691 S	9/1989	Wehmeyer	
5,998,774 A	12/1999	Joines et al.	
6,642,491 B1	11/2003	Torngren et al.	

(Continued)

1 Claim, 5 Drawing Sheets



(56)

References Cited

U.S. PATENT DOCUMENTS

6,765,183 B1 7/2004 Torres
D646,112 S 10/2011 Park et al.
D646,113 S 10/2011 Park et al.
8,794,226 B2 8/2014 Schmidbauer et al.
D725,430 S 3/2015 Krolick et al.
D732,321 S 6/2015 Choi
9,395,088 B2 7/2016 Wiggins et al.
D784,751 S 4/2017 Funnell, II et al.
D784,752 S 4/2017 Funnell, II et al.
D786,611 S 5/2017 Funnell, II et al.
D821,810 S 7/2018 Case et al.
10,240,387 B2 3/2019 Nelson
D845,055 S 4/2019 Goodwin
D850,815 S 6/2019 Nicoll et al.
2014/0009379 A1* 1/2014 Giri B81B 3/0005
345/156
2018/0274282 A1* 9/2018 Nelson E06B 1/12

FOREIGN PATENT DOCUMENTS

GB 6012901 5/2017
GB 6012903 5/2017
GB 6012905 5/2017
GB 6012908 5/2017
GB 6013682 6/2017
WO 2006048964 A1 5/2006

* cited by examiner

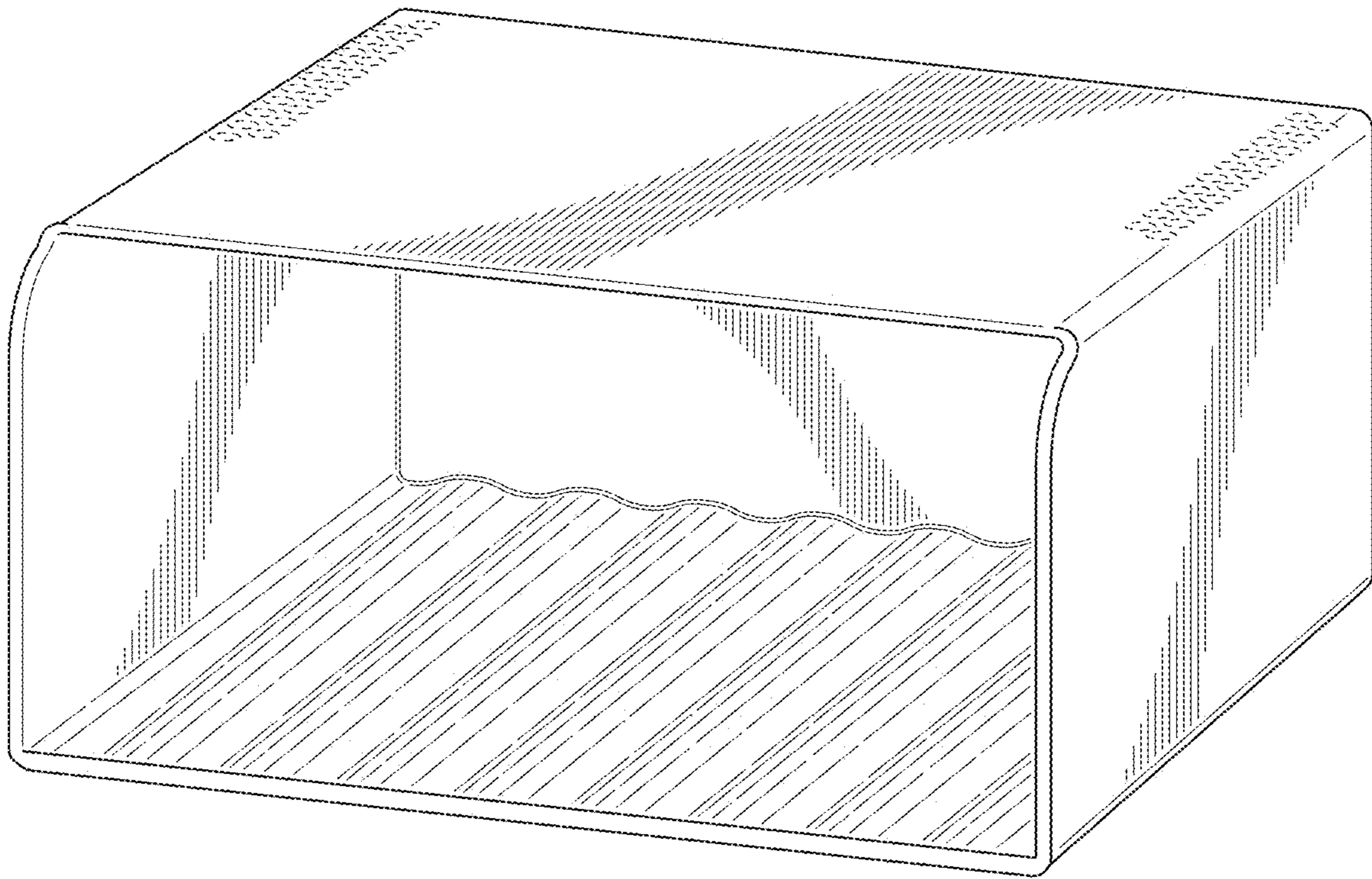


FIG. 1

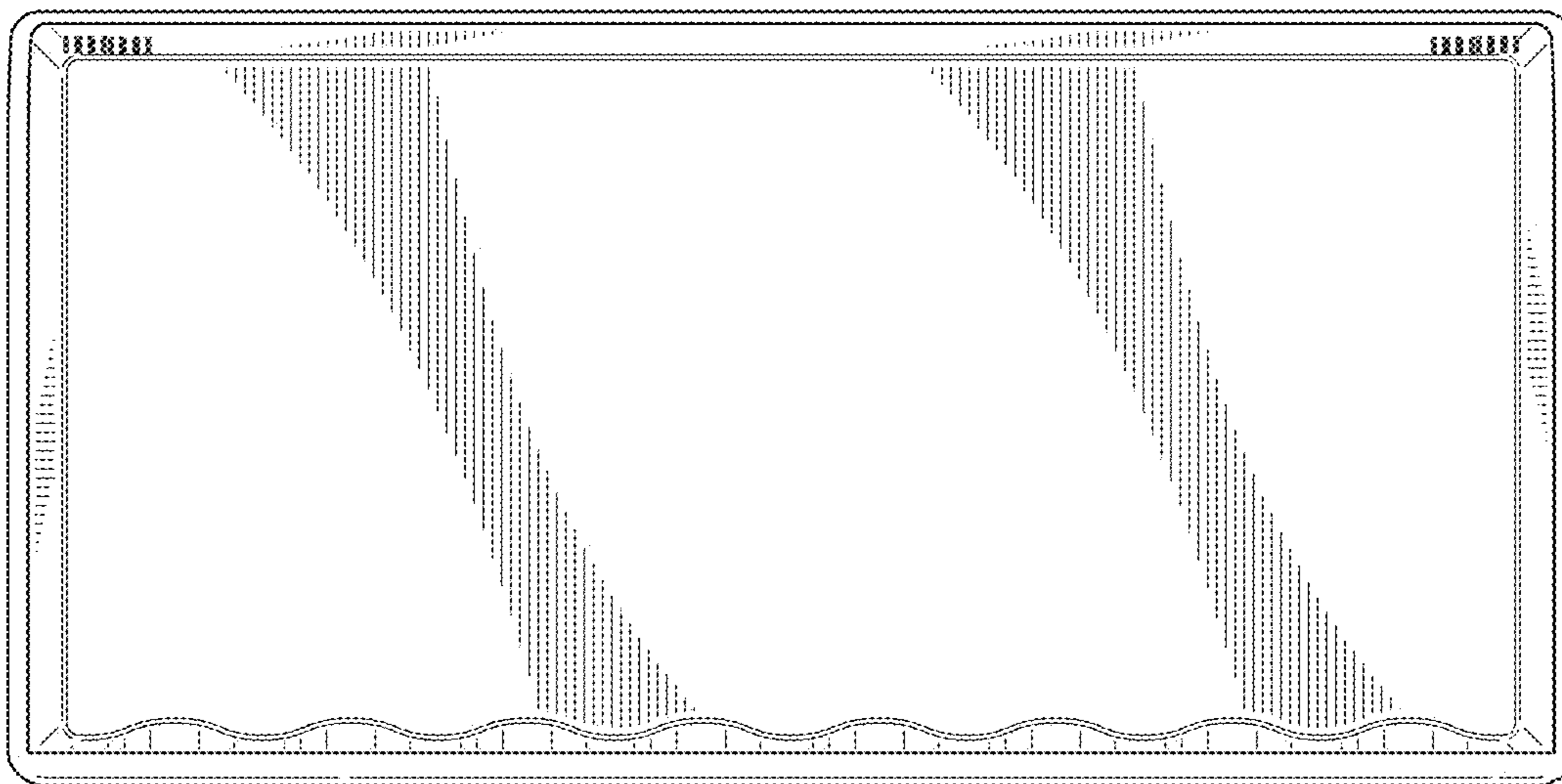


FIG. 2

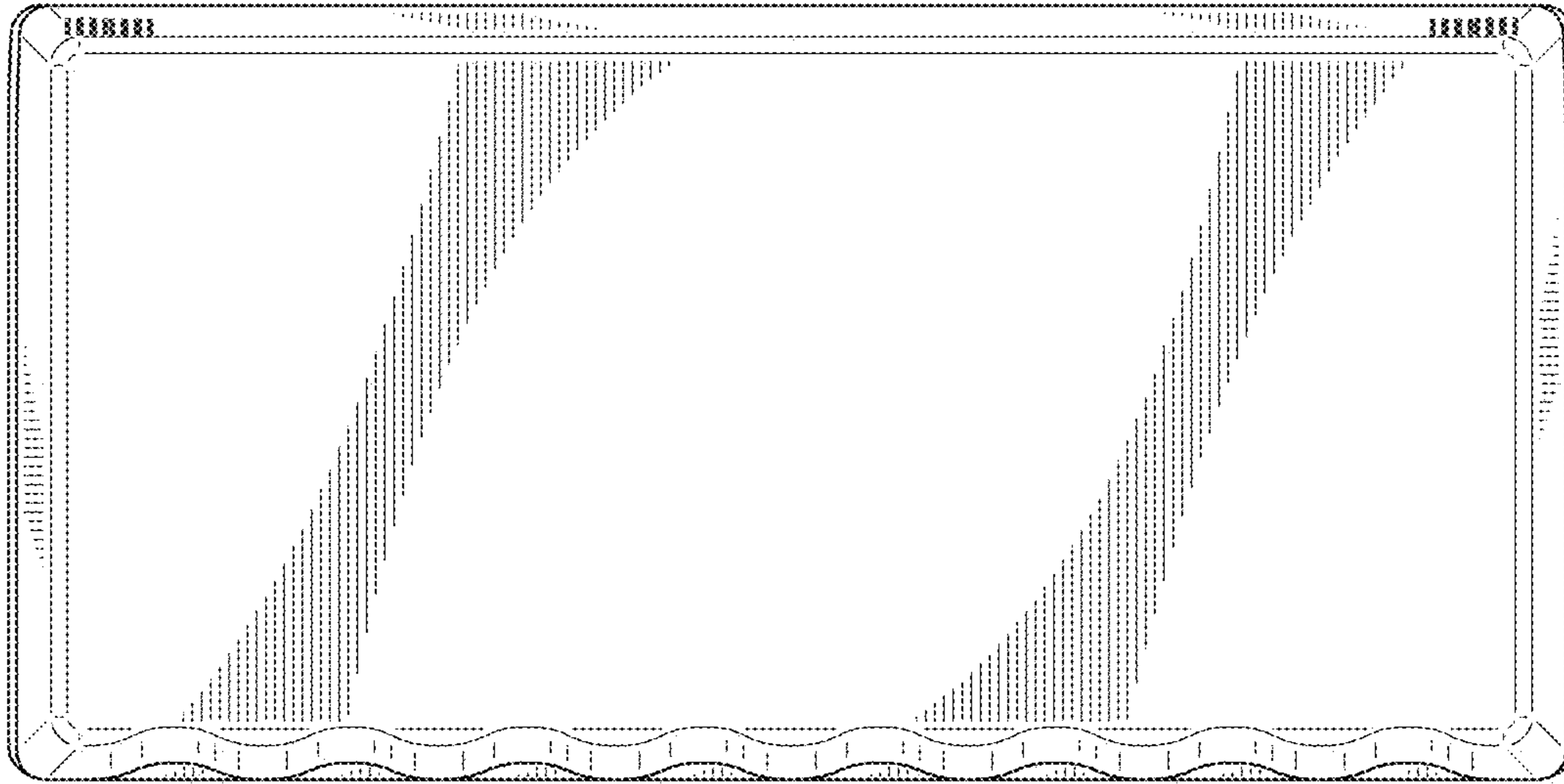


FIG. 3

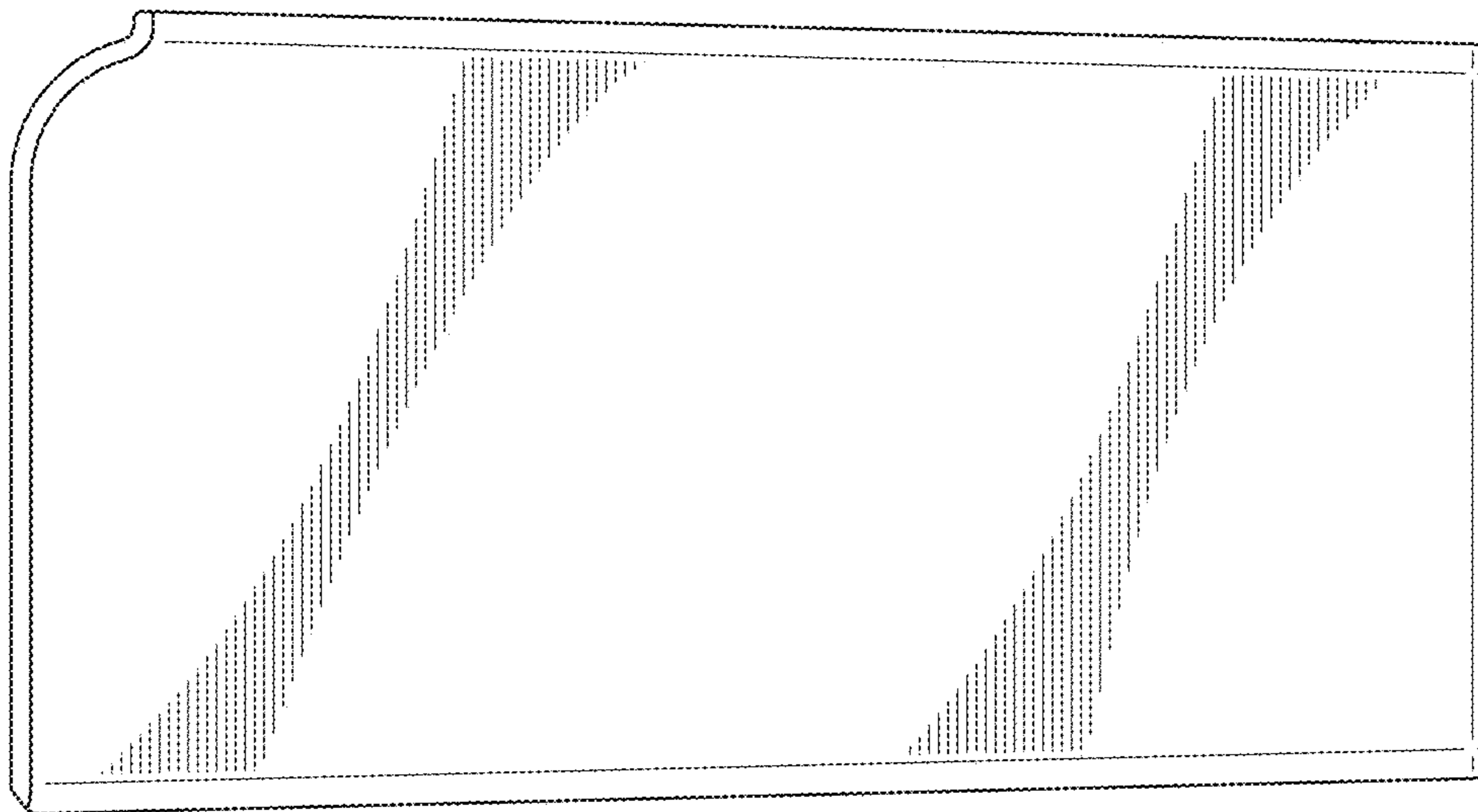


FIG. 4

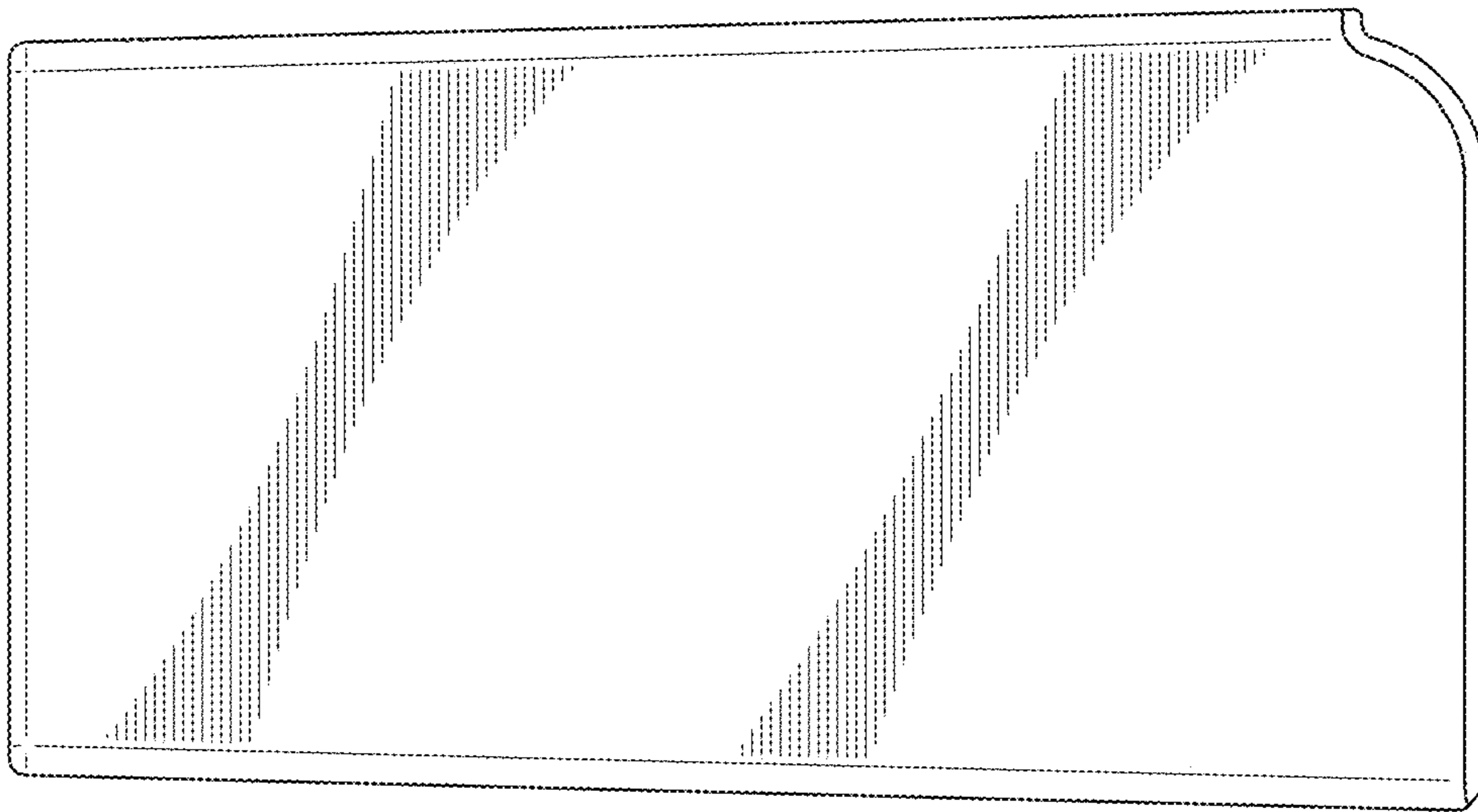


FIG. 5

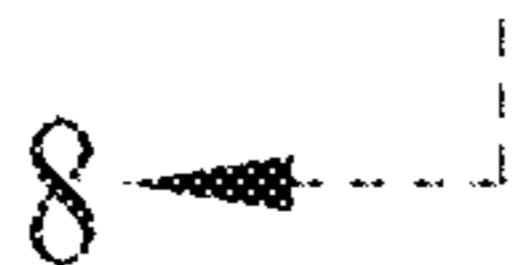
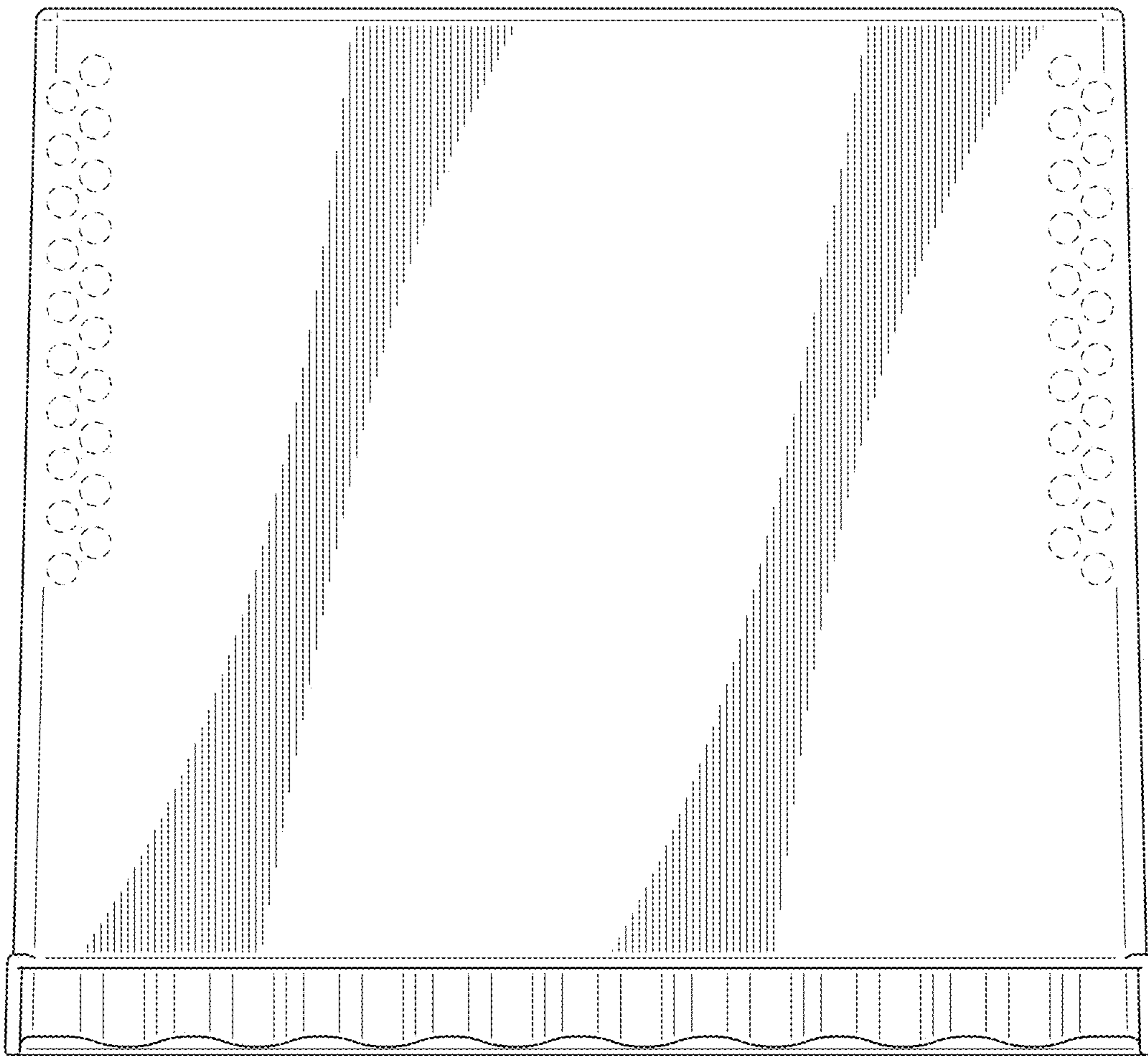


FIG. 6

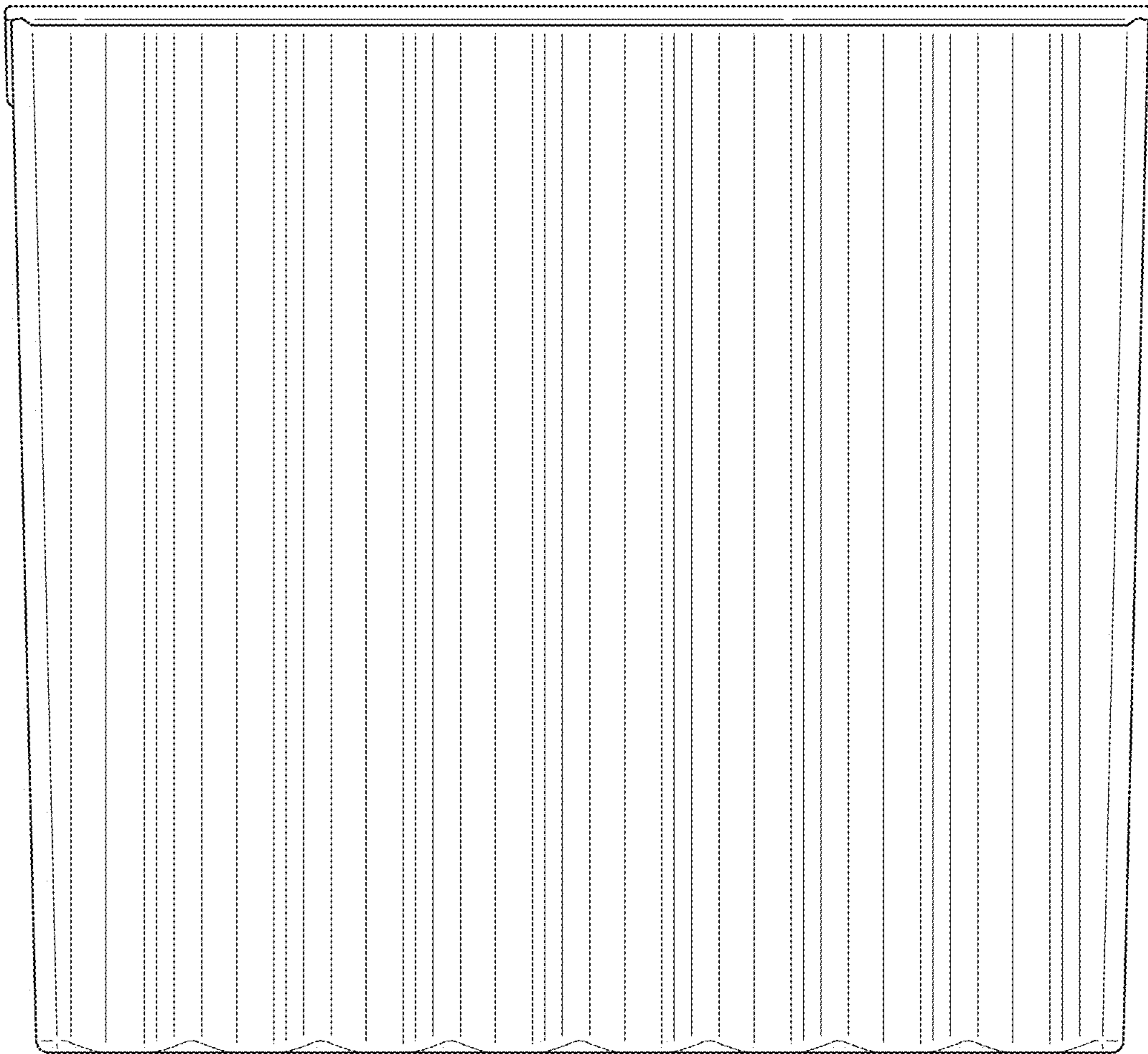


FIG. 7

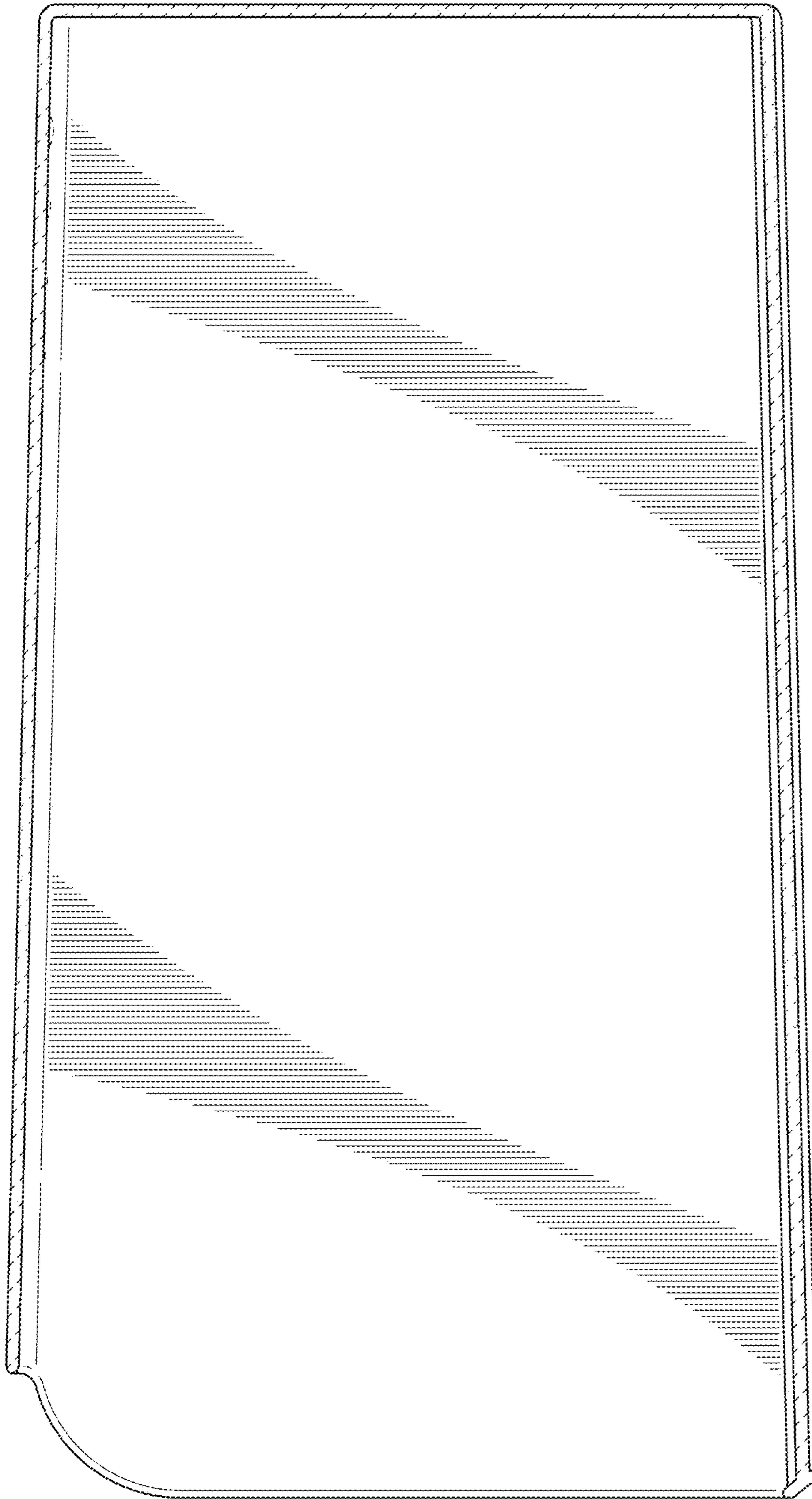


Fig. 8