



US00D901226S

(12) **United States Design Patent** (10) **Patent No.:** **US D901,226 S**  
**Shen et al.** (45) **Date of Patent:** **\*\* Nov. 10, 2020**

(54) **BOILING POT**  
(71) Applicant: **BEIJING XIAOMI MOBILE SOFTWARE CO., LTD.,** Beijing (CN)

D628,426 S \* 12/2010 Hoare ..... D7/317  
D818,757 S \* 5/2018 Bodum ..... D7/319  
D834,363 S \* 11/2018 Dash ..... D7/319  
D873,597 S \* 1/2020 Fisher Wong ..... D7/309  
D876,869 S \* 3/2020 Ha ..... D7/317

(72) Inventors: **Ying Shen,** Beijing (CN); **Lei Zhang,** Beijing (CN); **Ningning Li,** Beijing (CN); **Yuanyuan Ren,** Beijing (CN)

**OTHER PUBLICATIONS**

(73) Assignee: **BEIJING XIAOMI MOBILE SOFTWARE CO., LTD.,** Beijing (CN)

Deerma Electric Kettle Folding Kettle Portable Travel Electric Kettle Cooking Teapot Anti-burning Dry Kettle DEM-DH202. Screenshot; undated; one page. Found online Apr. 6, 2020 at (see document for full url). (Year: 2020).\*  
Bear (Bear) Health Pot 1.8 L Multi-function Kettle Electric Kettle Cooking Teapot with Filter Flower Teapot Automatic Knob Glass Electric Kettle Kettle YSH-C18H5. Screenshot; undated; one page. Found online Apr. 6, 2020 at <https://www.joybuy.com/600896330.html> (Year: 2020).\*  
Multifunction 220V Electric Water Kettle Thickened Borosilicate Glass Health Pot Tea Maker Travel Water Boiler With Colding Cup Apr. 2020. Screenshot; one page. Found online Apr. 6, 2020 at (see document for full url). (Year: 2020).\*

(\*\*) Term: **15 Years**

(21) Appl. No.: **35/506,972**

(22) Filed: **Dec. 14, 2018**

(80) **Hague Agreement Data**

Int. Filing Date: **Dec. 14, 2018**  
Int. Reg. No.: **DM/201634**  
Int. Reg. Date: **Dec. 14, 2018**  
Int. Reg. Pub. Date: **Jun. 28, 2019**

\* cited by examiner

*Primary Examiner* — Robert M. Spear  
(74) *Attorney, Agent, or Firm* — Dickinson Wright PLLC

(30) **Foreign Application Priority Data**

Jun. 15, 2018 (CN) ..... 2018 3 0309278

(51) **LOC (12) Cl.** ..... **07-01**

(52) **U.S. Cl.**  
USPC ..... **D7/309**

(58) **Field of Classification Search**  
USPC ..... D7/309, 316, 317, 318, 319, 355, 399  
CPC .... A47J 27/21008; A47G 19/12; A47G 19/14  
See application file for complete search history.

(57) **CLAIM**

The ornamental design for a boiling pot, as shown and described.

(56) **References Cited**

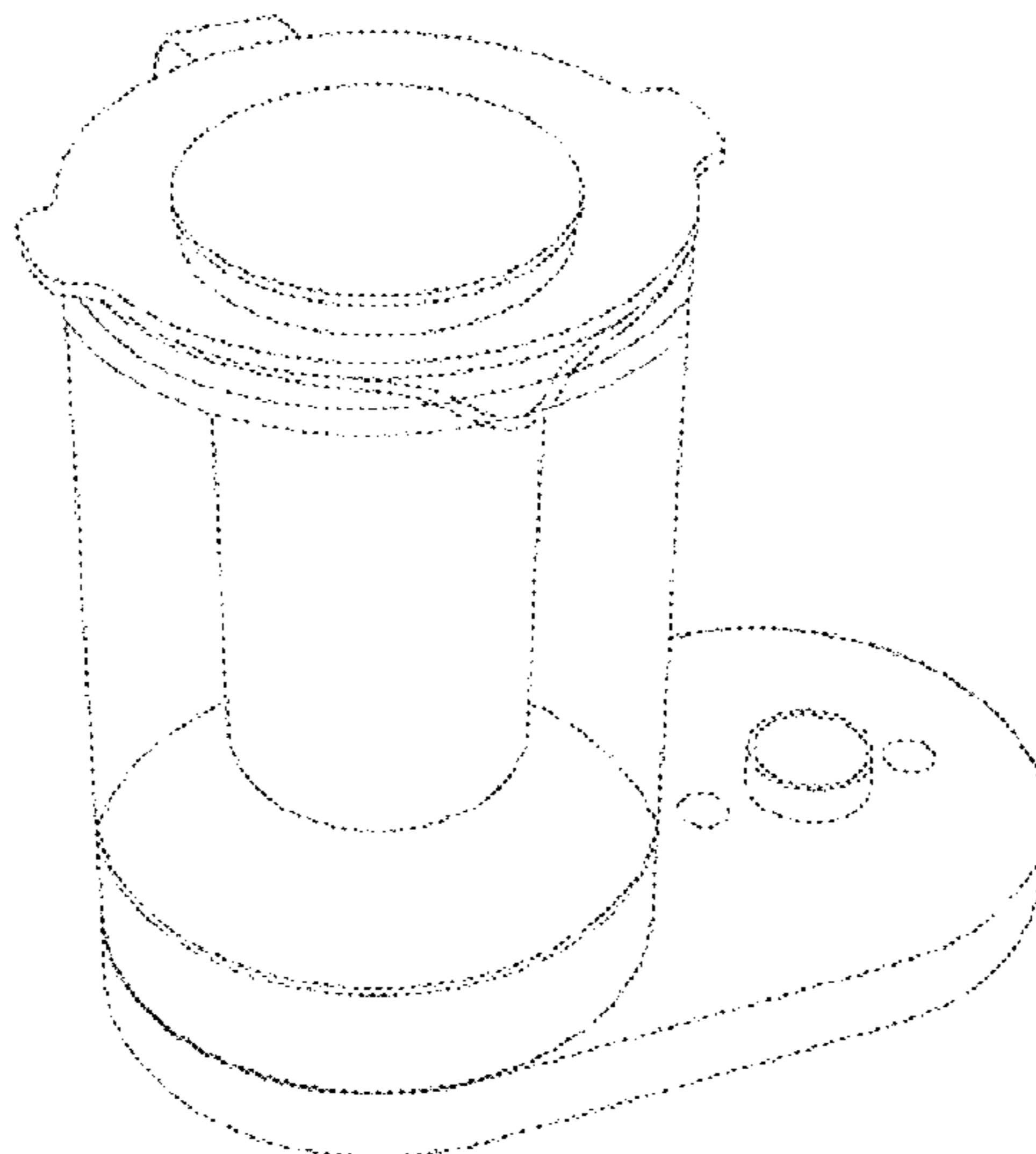
**U.S. PATENT DOCUMENTS**

D220,579 S \* 4/1971 Wickenberg ..... D7/309  
D240,386 S \* 7/1976 Stuetzer ..... D7/309  
D421,871 S \* 3/2000 Klosinski ..... D7/309  
D622,090 S \* 8/2010 Bodum ..... D7/317

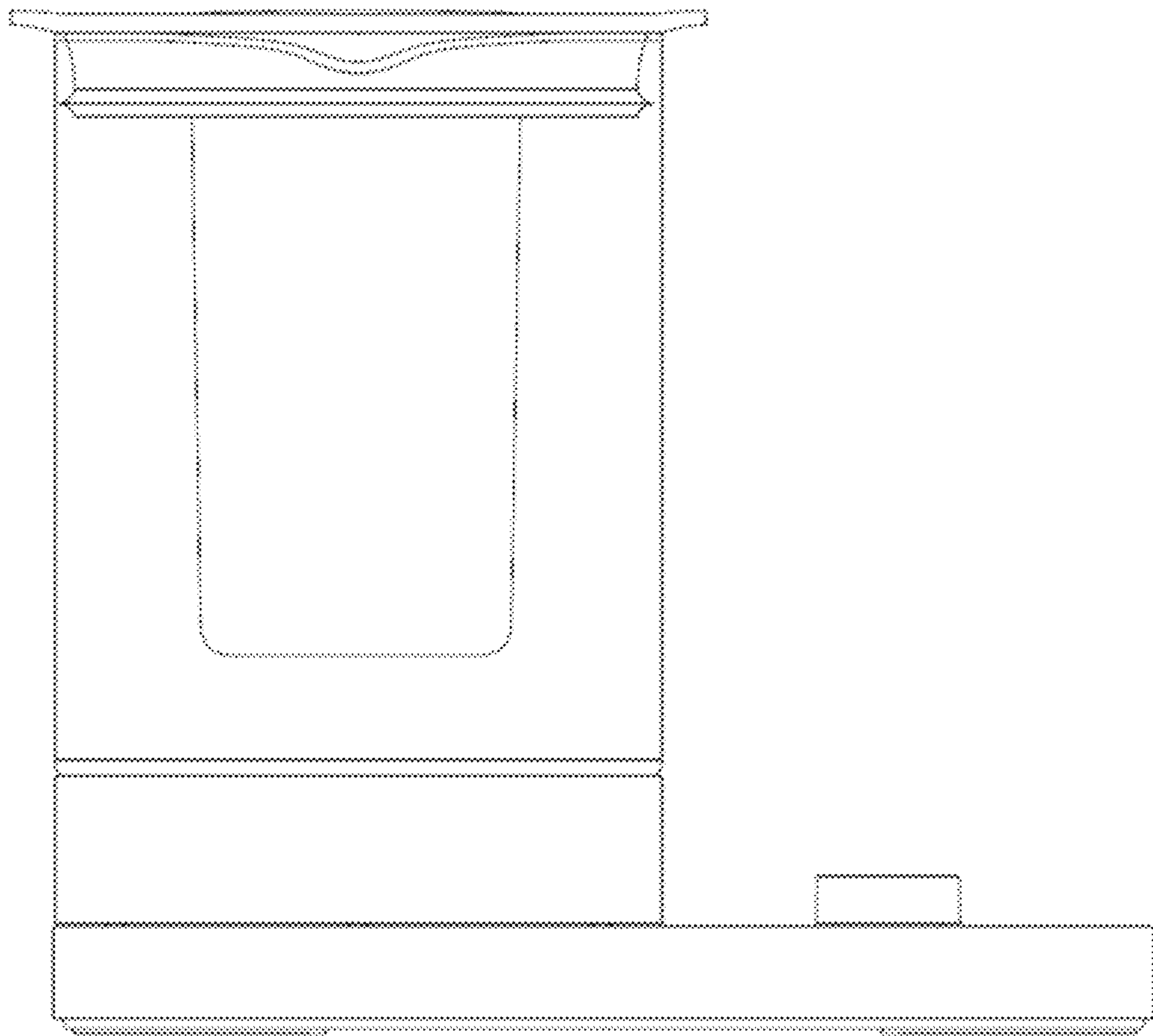
**DESCRIPTION**

1. Boiling pot  
**1.1** is a front elevation view of a boiling pot showing our new design; **1.2** is a rear elevation view thereof; **1.3** is a left side elevation view thereof; **1.4** is a right side elevation view thereof; **1.5** is a top plan view thereof; **1.6** is a bottom plan view thereof; and **1.7** is a perspective view thereof; the present product is used for boiling water or cooking food; the outer wall of the pot is made of transparent material. The broken lines in FIGS. **1.1-1.7** depict portions of the boiling pot that form no part of the claimed design.

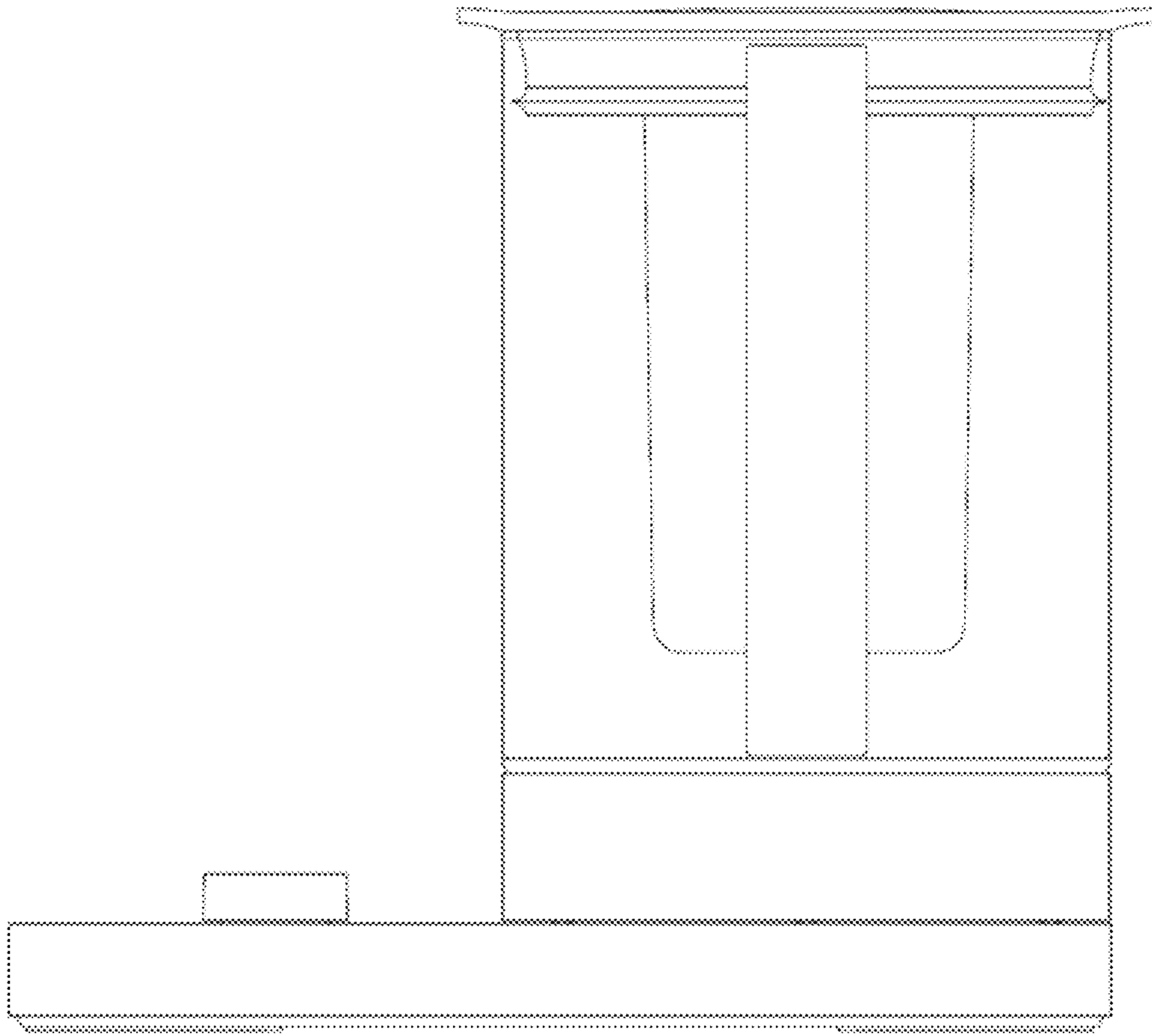
**1 Claim, 7 Drawing Sheets**



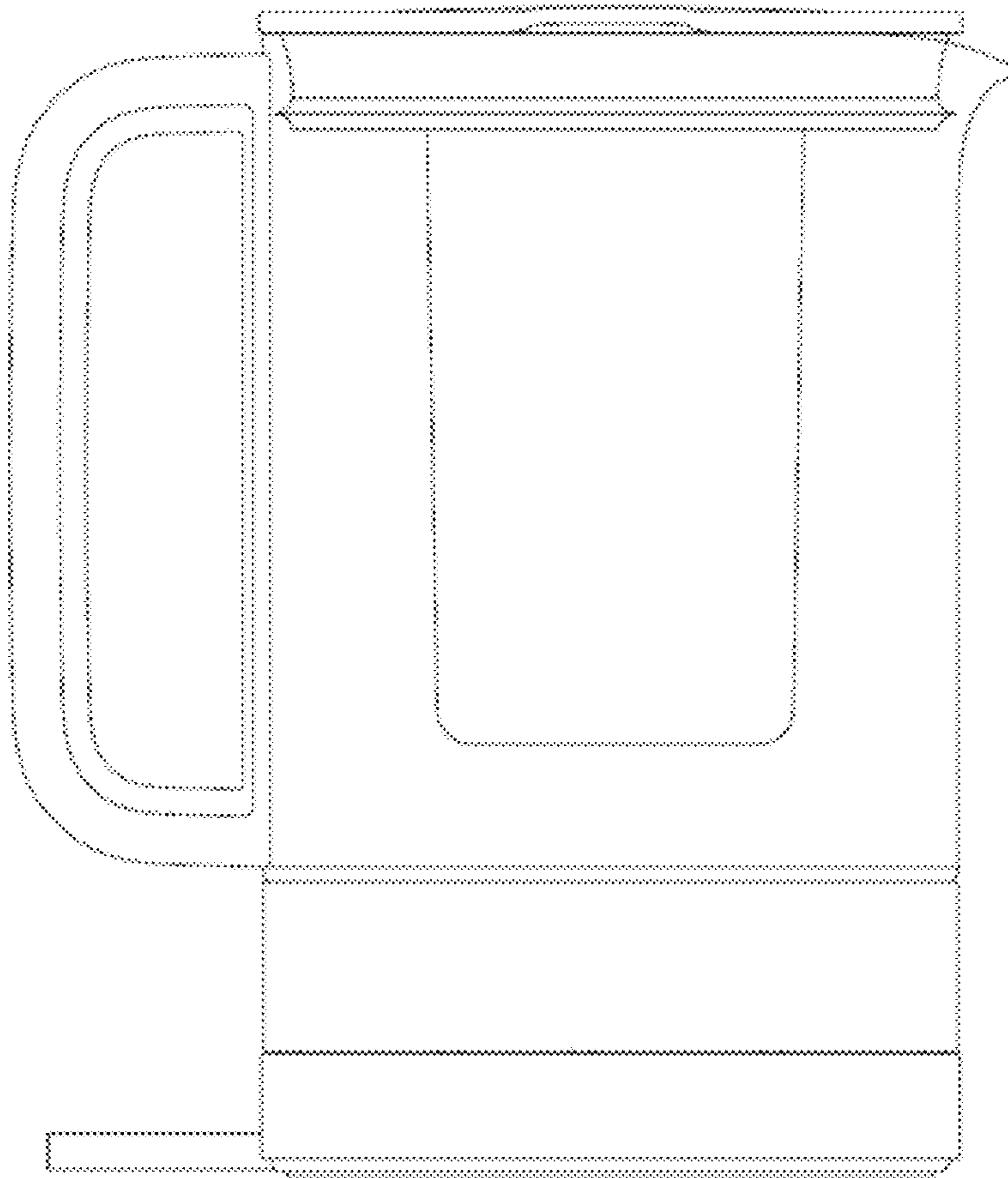
1.1



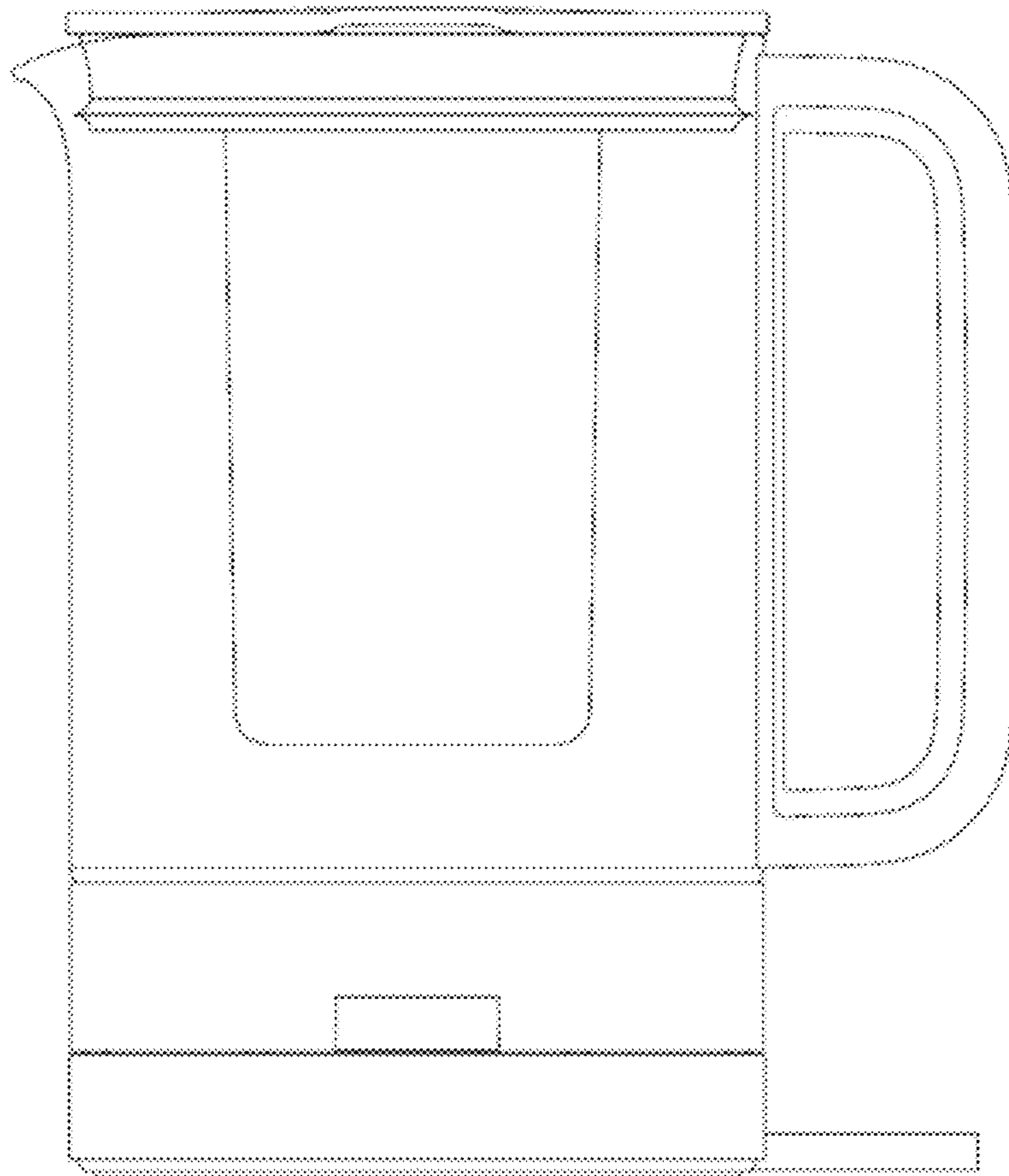
1.2



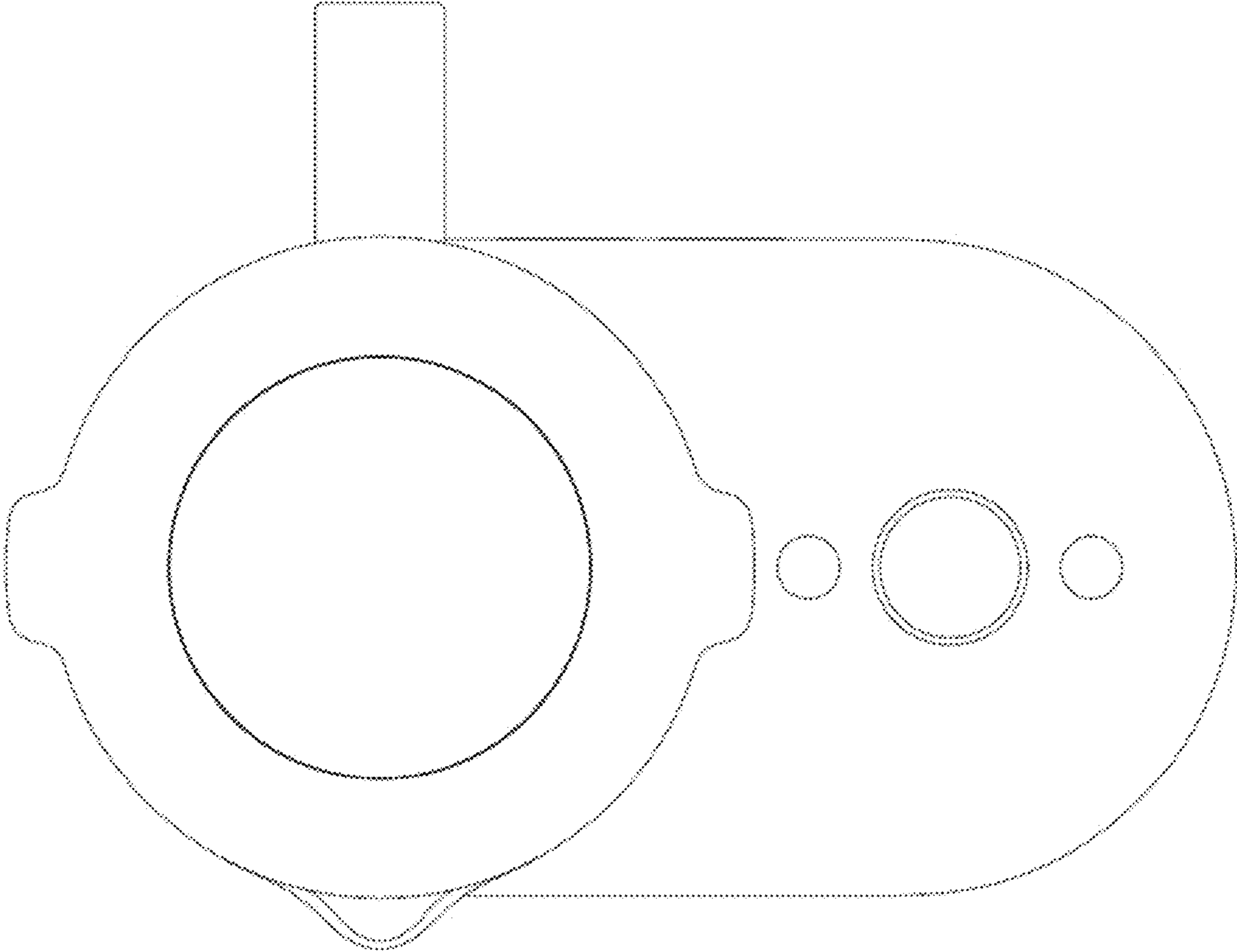
1.3



1.4

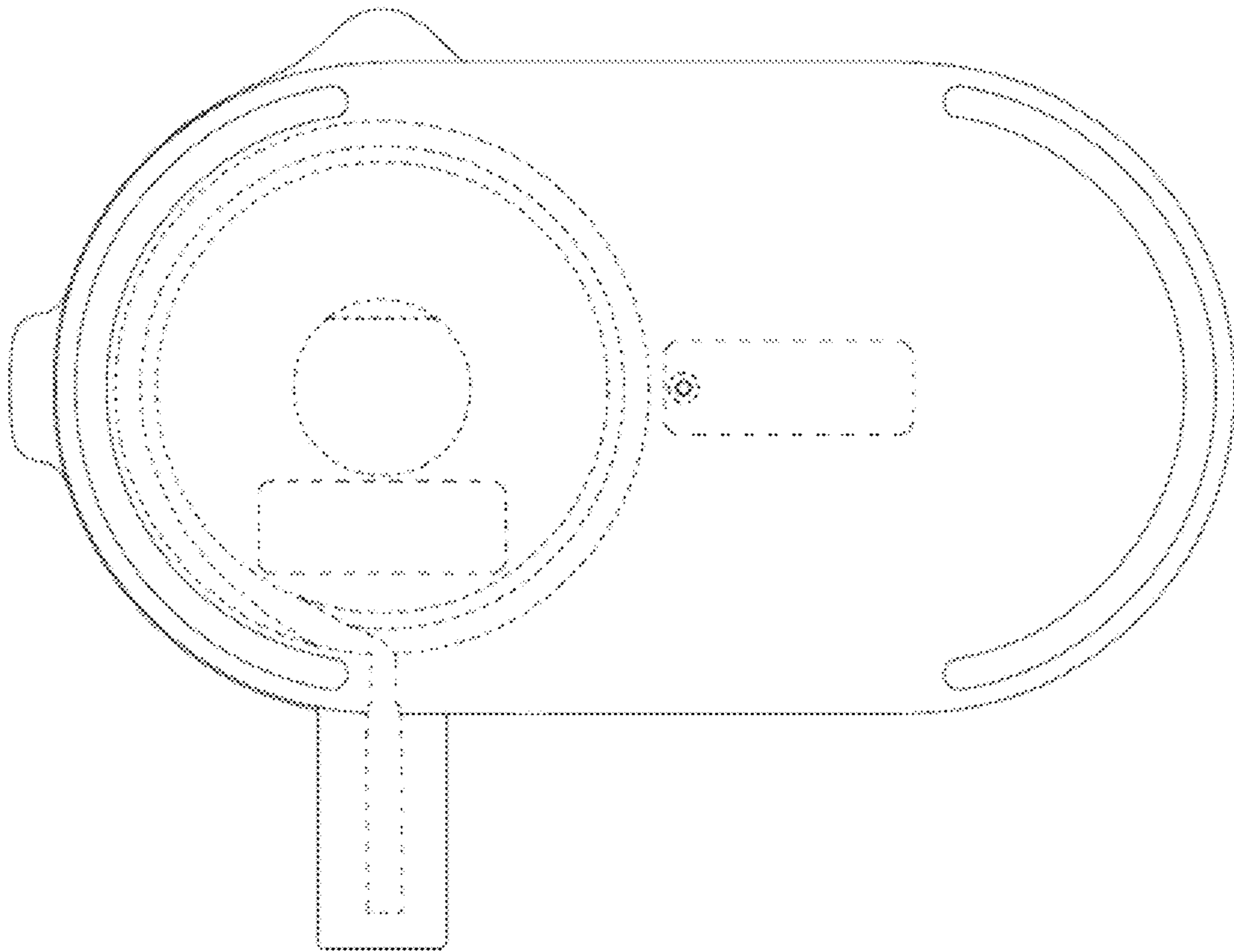


1.5





1.6



1.7

