



US00D901225S

(12) **United States Design Patent** (10) **Patent No.:** **US D901,225 S**
Remo (45) **Date of Patent:** **** Nov. 10, 2020**

(54) **BEVERAGE PRODUCING MACHINE**
(71) Applicant: **ASCENDO MEDIENAGENTUR AG,**
Vaduz (LI)
(72) Inventor: **Gianni Remo,** Lugano (CH)
(73) Assignee: **ASCENDO MEDIENAGENTUR AG,**
Vaduz (LI)
(**) Term: **15 Years**
(21) Appl. No.: **29/672,532**
(22) Filed: **Dec. 6, 2018**

D502,043 S * 2/2005 Lin D7/309
D514,371 S * 2/2006 Yang D7/306
D552,402 S * 10/2007 Schwamkrug D7/309
D560,950 S * 2/2008 Schwamkrug D7/309
D600,967 S * 9/2009 Cahen D7/309
D703,989 S * 5/2014 Garman D7/305
D726,481 S * 4/2015 Cahen D7/309
D742,699 S * 11/2015 Boroski D7/608
D765,454 S * 9/2016 Romandy D7/309
D769,662 S * 10/2016 Palermo D7/306
D793,791 S * 8/2017 McDonald D7/306
D800,487 S * 10/2017 Chawla D7/306
D823,040 S * 7/2018 Bock D7/309
D872,513 S * 1/2020 Kaplan D7/306
D877,551 S * 3/2020 Nalen D7/306
D878,132 S * 3/2020 Kestenbaum D7/309
2008/0000357 A1 * 1/2008 Yang A47J 31/0684
99/279

(30) **Foreign Application Priority Data**
Jun. 7, 2018 (EM) 005300597
(51) **LOC (12) Cl.** **07-01**
(52) **U.S. Cl.**
USPC **D7/306; D7/311; D7/309**
(58) **Field of Classification Search**
USPC D7/300, 309-311, 306-308, 305, 397,
D7/355, 362, 365, 367, 399; 222/146.6,
222/185.1, 135; 99/295, 323.1
CPC A47J 31/02; A47J 31/407; A47J 31/18;
A47J 31/061; A47J 31/4403; B67D
1/0869; B67D 1/0004; B67D 1/0036
See application file for complete search history.

* cited by examiner

Primary Examiner — Marianne N Pandozzi
(74) *Attorney, Agent, or Firm* — McGlew and Tuttle, P.C.

(56) **References Cited**
U.S. PATENT DOCUMENTS
4,721,034 A * 1/1988 Shimomura A47J 31/047
99/280
D356,466 S * 3/1995 Classen D7/309
D379,047 S * 5/1997 Richard D6/368
D381,237 S * 7/1997 De'Longhi D7/309

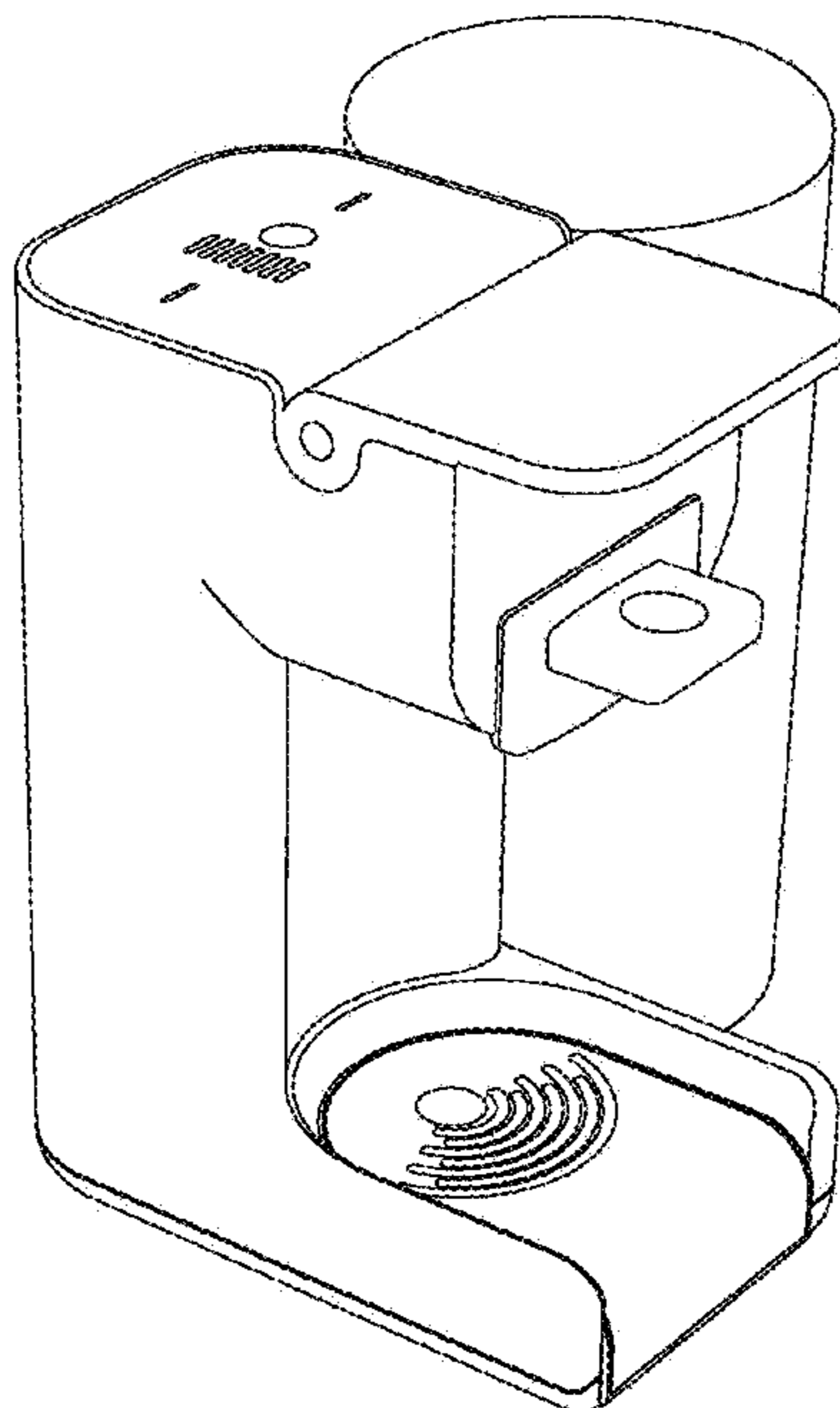
(57) **CLAIM**

The ornamental design for a beverage producing machine, as shown and described.

DESCRIPTION

FIG. 1 is a perspective view of the beverage producing machine;
FIG. 2 is a front view thereof;
FIG. 3 is a right side view thereof;
FIG. 4 is a left side view thereof;
FIG. 5 is a top view thereof;
FIG. 6 is a bottom view thereof; and,
FIG. 7 is a rear view thereof.
The broken lines shown in the claimed design form no part of the claimed design.

1 Claim, 7 Drawing Sheets



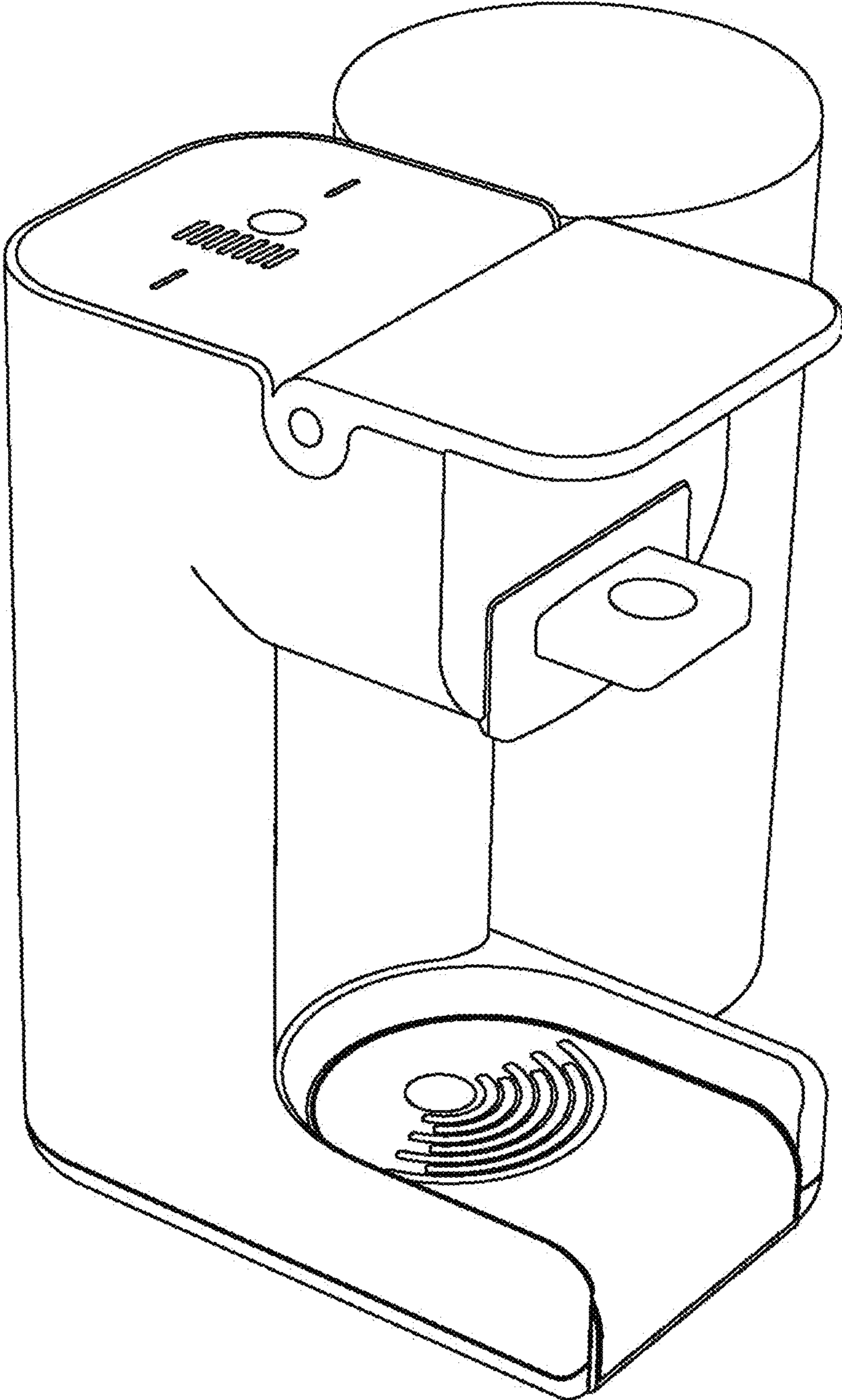


Fig. 1

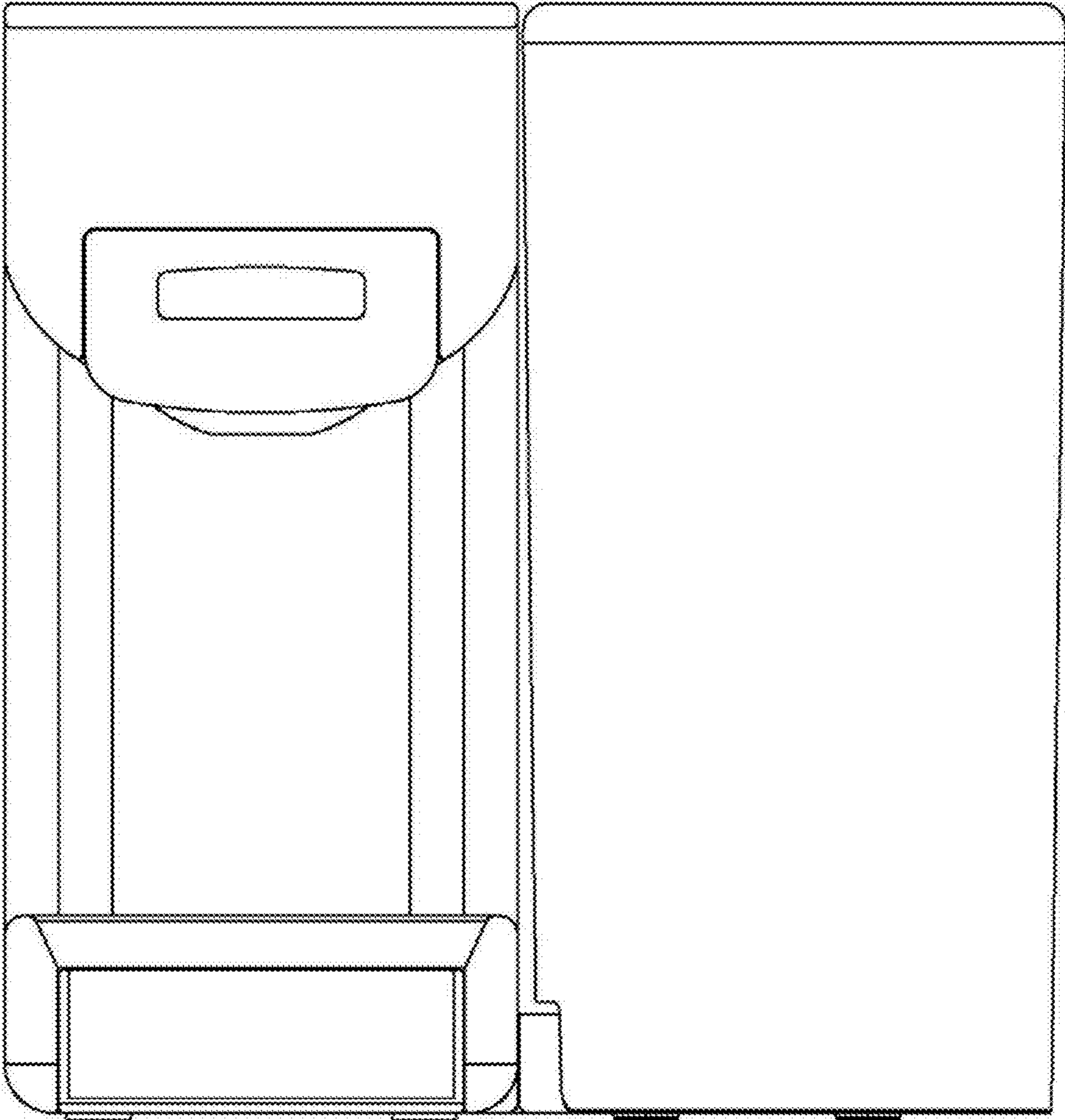


Fig. 2

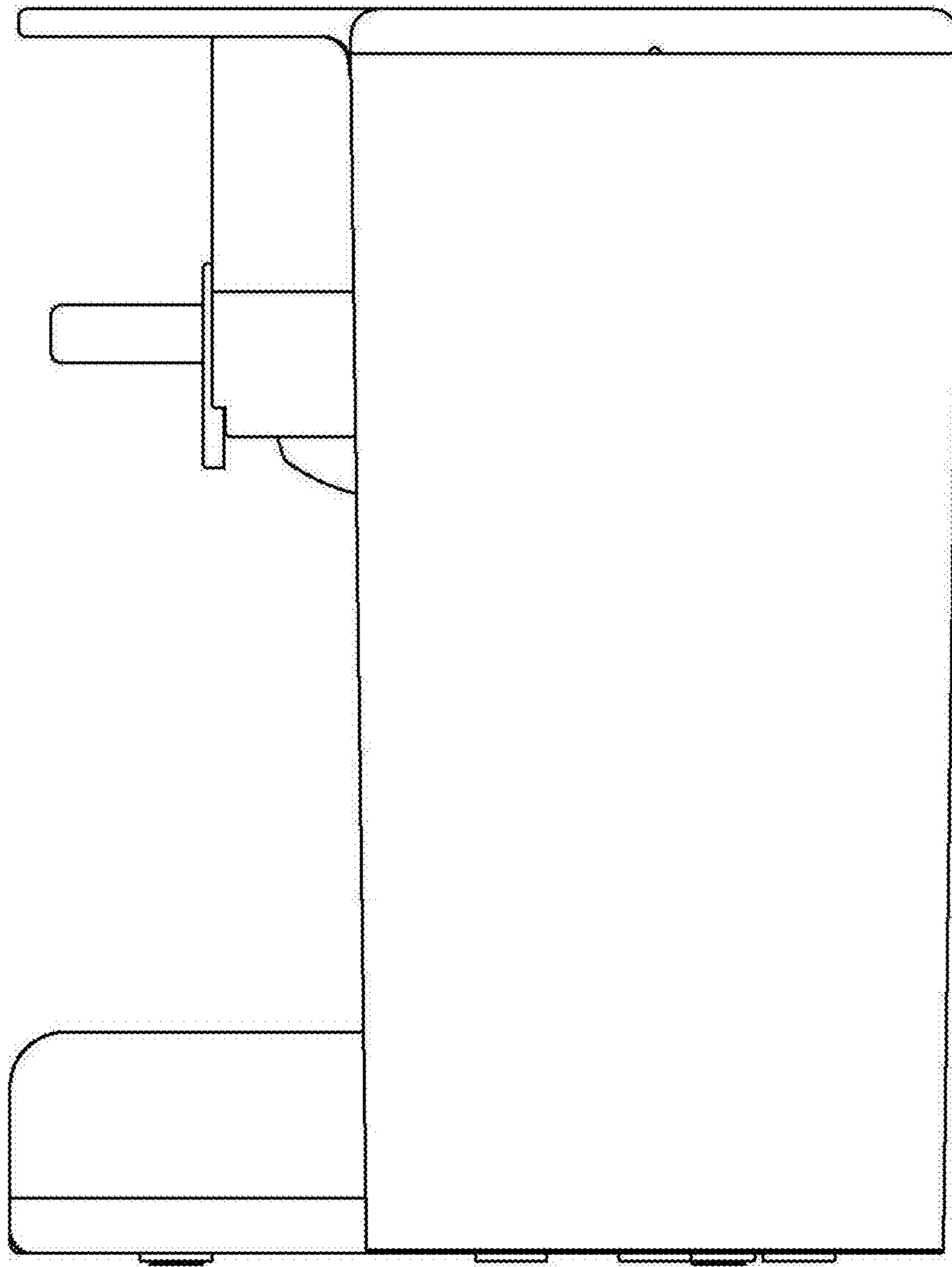


Fig 3

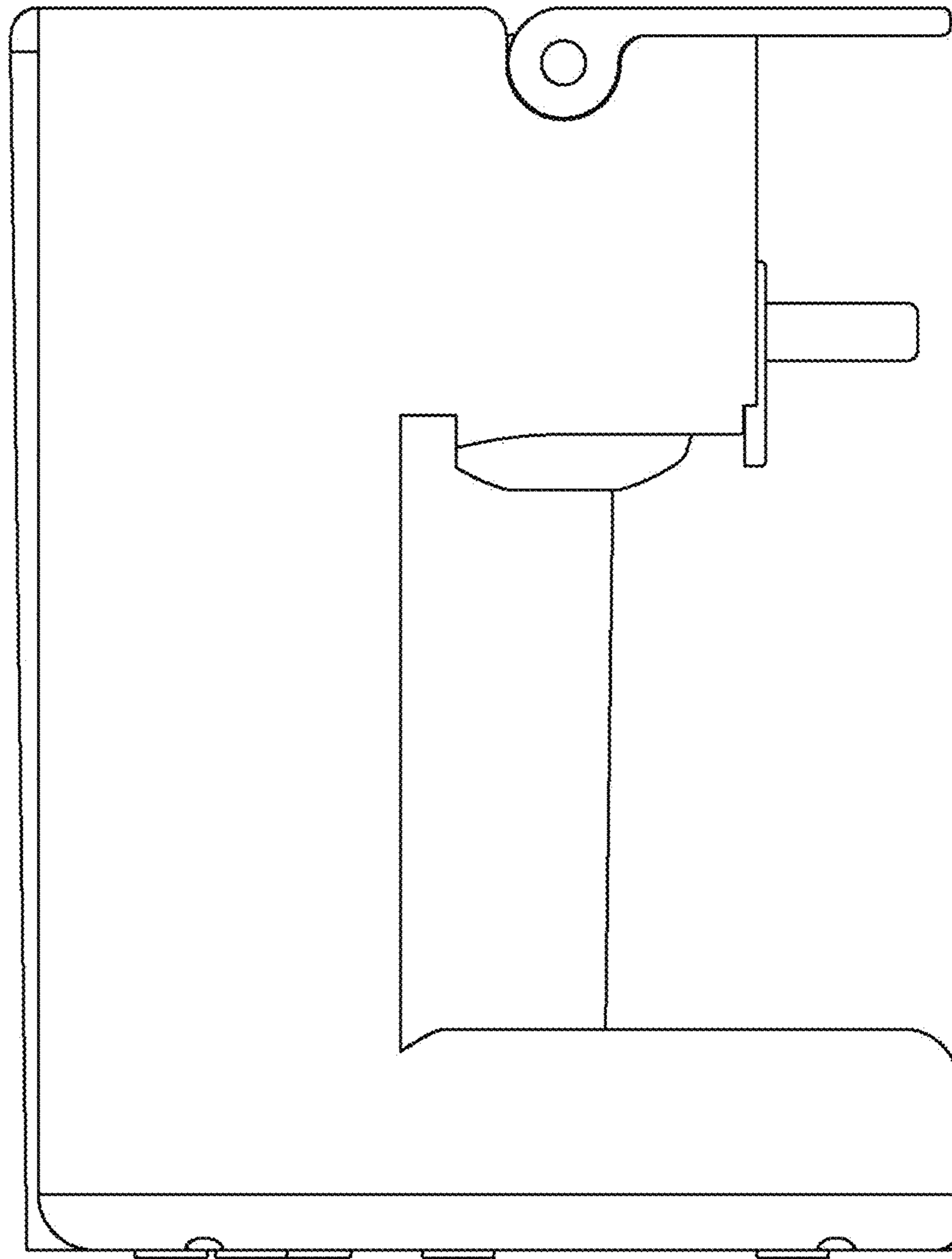


Fig. 4

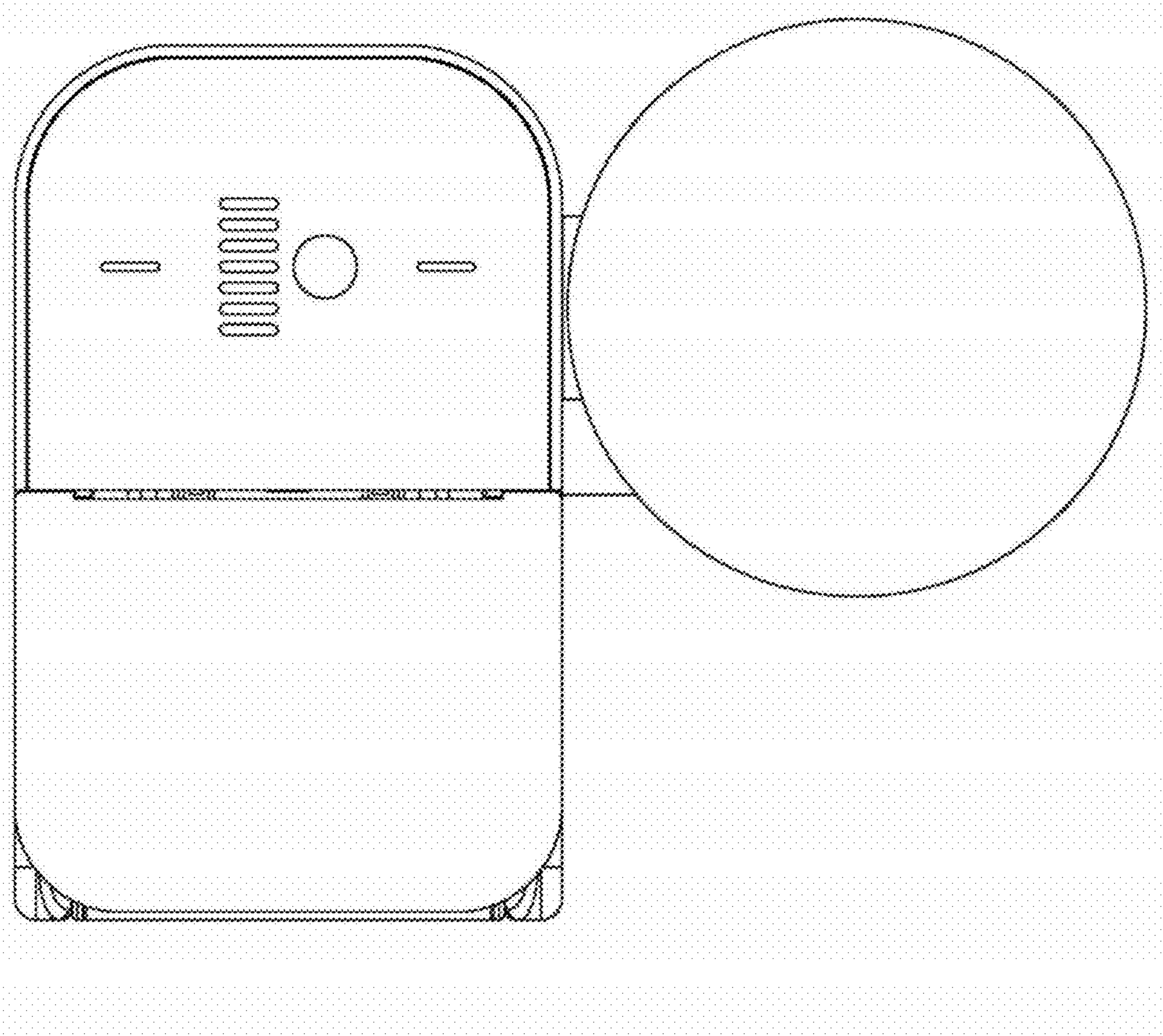


Fig. 5

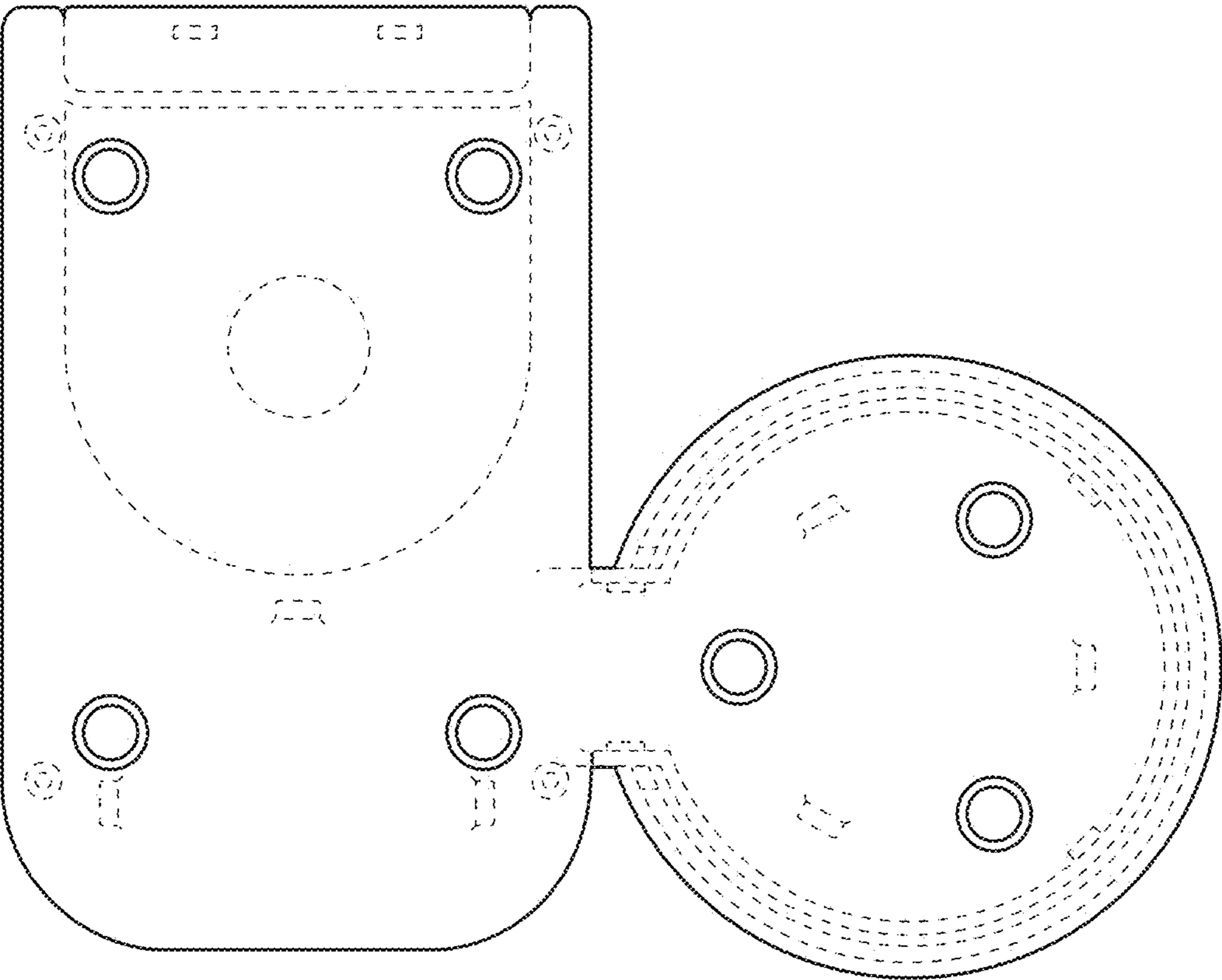


FIG. 6

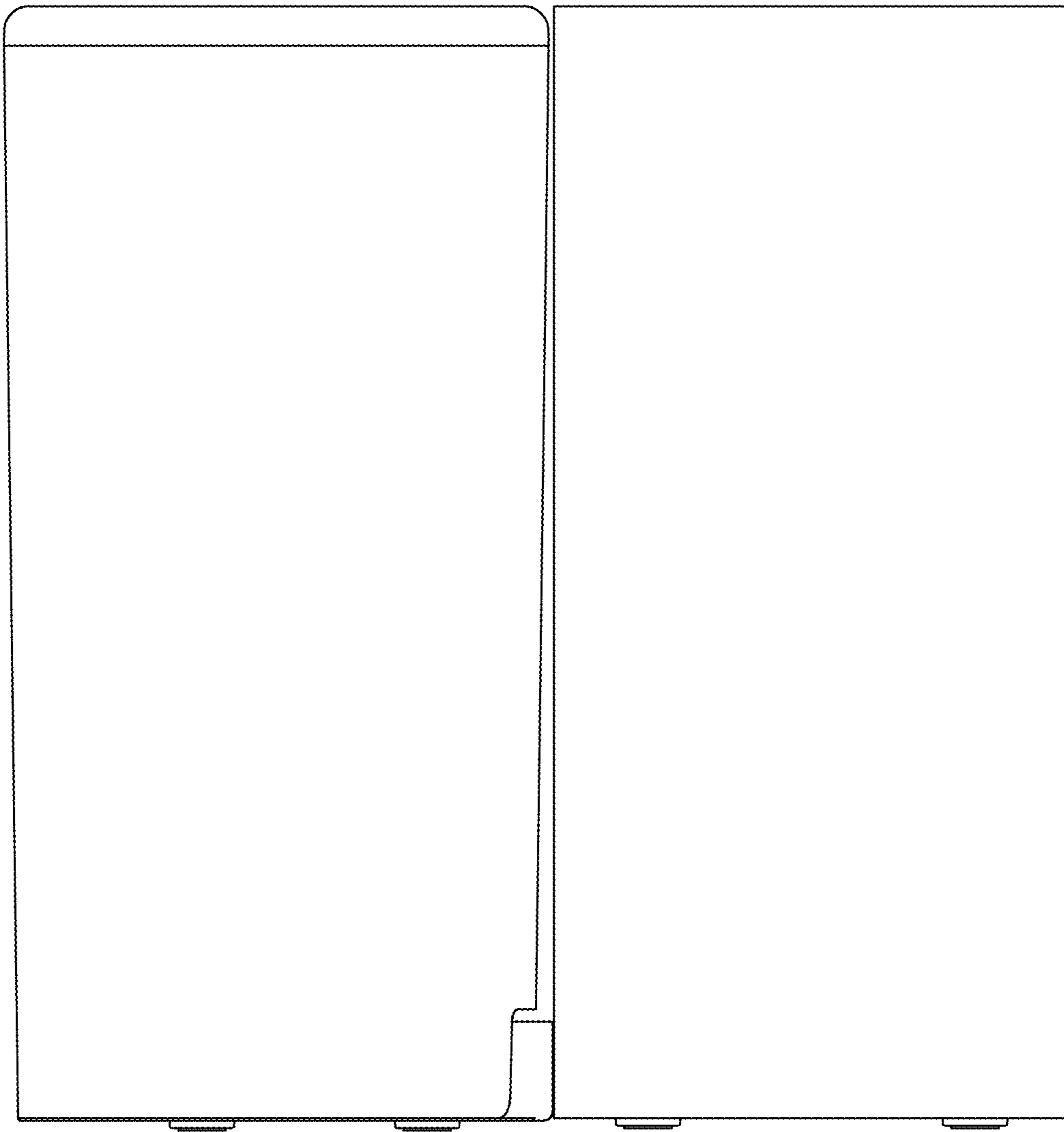


Fig. 7