



US00D901224S

(12) **United States Design Patent**
Yoo et al.

(10) **Patent No.:** **US D901,224 S**

(45) **Date of Patent:** **** Nov. 10, 2020**

(54) **INFANT FURNITURE BASE**

(71) Applicant: **LG ELECTRONICS INC.**, Seoul (KR)

(72) Inventors: **Taewoo Yoo**, Seoul (KR); **Hyojin Won**, Seoul (KR); **Yeojeong Choi**, Seoul (KR); **Jahee Sohn**, Seoul (KR); **Yeonju Cho**, Seoul (KR); **Hyunki Kim**, Seoul (KR)

(73) Assignee: **LG ELECTRONICS INC.**, Seoul (KR)

(**) Term: **15 Years**

(21) Appl. No.: **29/719,429**

(22) Filed: **Jan. 3, 2020**

(30) **Foreign Application Priority Data**

Jul. 5, 2019 (KR) 30-2019-0032431

(51) **LOC (12) Cl.** **06-06**

(52) **U.S. Cl.**
USPC **D6/718.26**

(58) **Field of Classification Search**
USPC D6/331, 333, 390, 391, 718.26
CPC A47D 7/00; A47D 7/002; A47D 7/005;
A47D 7/01; A47D 7/02; A47D 9/00;
A47D 9/02; A47D 9/005; A47D 13/06;
A47D 13/061; A47D 13/066; A47D
13/068; A47D 11/00; A47D 11/005
See application file for complete search history.

(56) **References Cited**

U.S. PATENT DOCUMENTS

2,794,190 A * 6/1957 Kellenbarger A47D 9/02
5/103
D336,570 S * 6/1993 Blake D6/333

D351,071 S * 10/1994 Hagopian D6/382
D616,665 S * 6/2010 Dumais D6/390
8,220,089 B1 * 7/2012 Diefenbach A47D 9/02
5/655
8,893,327 B1 * 11/2014 Muhammad A47D 9/00
5/101
D819,357 S * 6/2018 Van Doornewaard D6/382
D873,038 S * 1/2020 Zhang D6/333
D879,317 S * 3/2020 Ullman D24/216

* cited by examiner

Primary Examiner — Cathron C Brooks

(74) *Attorney, Agent, or Firm* — Birch, Stewart, Kolasch & Birch, LLP

(57) **CLAIM**

The ornamental design for an infant furniture base, as shown and described.

DESCRIPTION

FIG. 1 is a front perspective view of the infant furniture base showing our new design;

FIG. 2 is a front view thereof;

FIG. 3 is a rear view thereof;

FIG. 4 is a left side view thereof;

FIG. 5 is a right side thereof;

FIG. 6 is a top view thereof;

FIG. 7 is a bottom view thereof;

FIG. 8 is another front perspective view thereof, but showing the infant furniture base in use as a bassinet, with legs, bassinet mattress support, and camera with lighting shown in broken lines; and,

FIG. 9 is another front perspective view thereof, but showing the infant furniture base in use as an infant sofa, with legs, seating element, and camera with lighting shown in broken lines.

The broken lines depict portions of the infant furniture base that form no part of the claimed design.

1 Claim, 9 Drawing Sheets

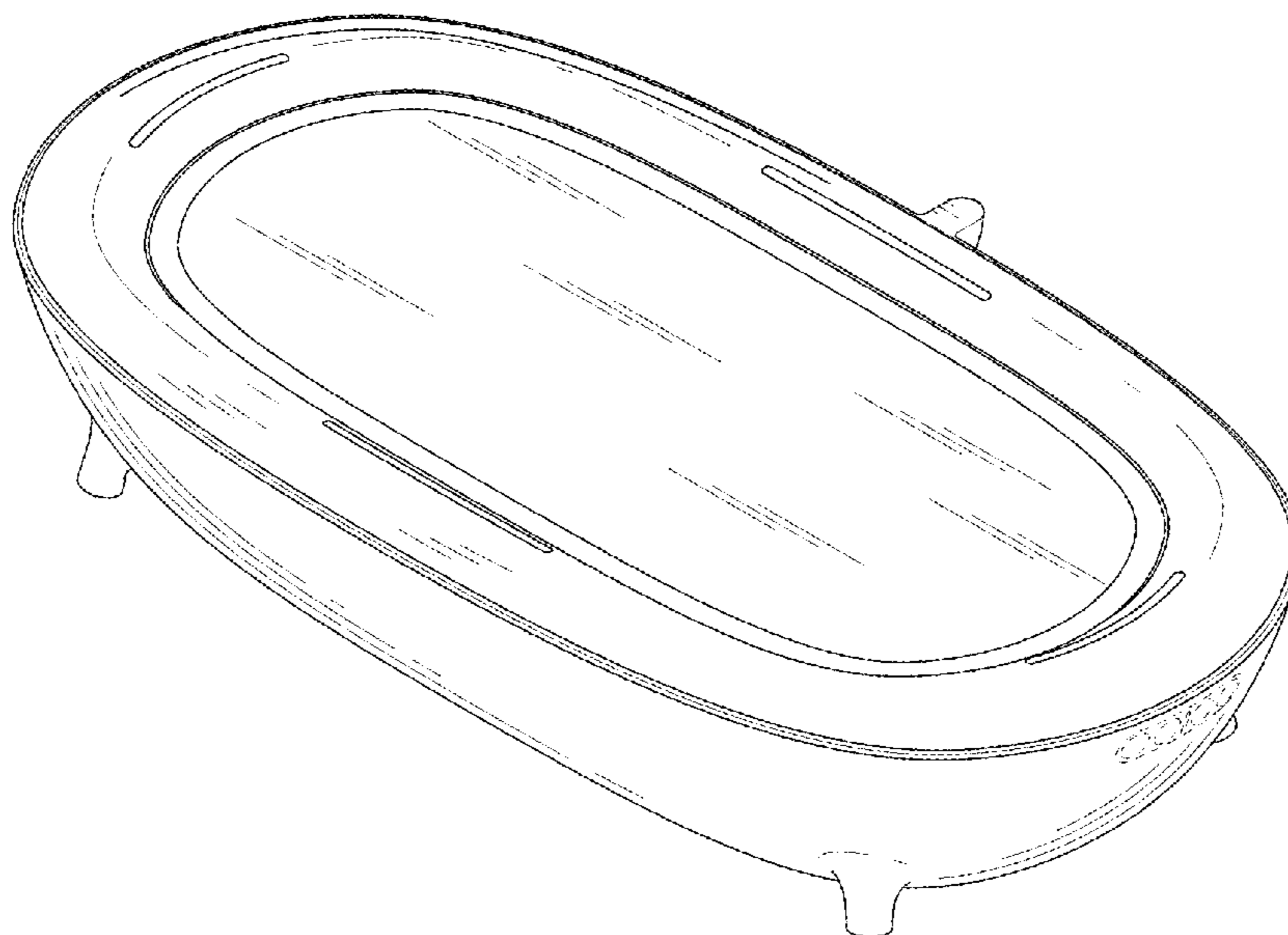


FIG. 1

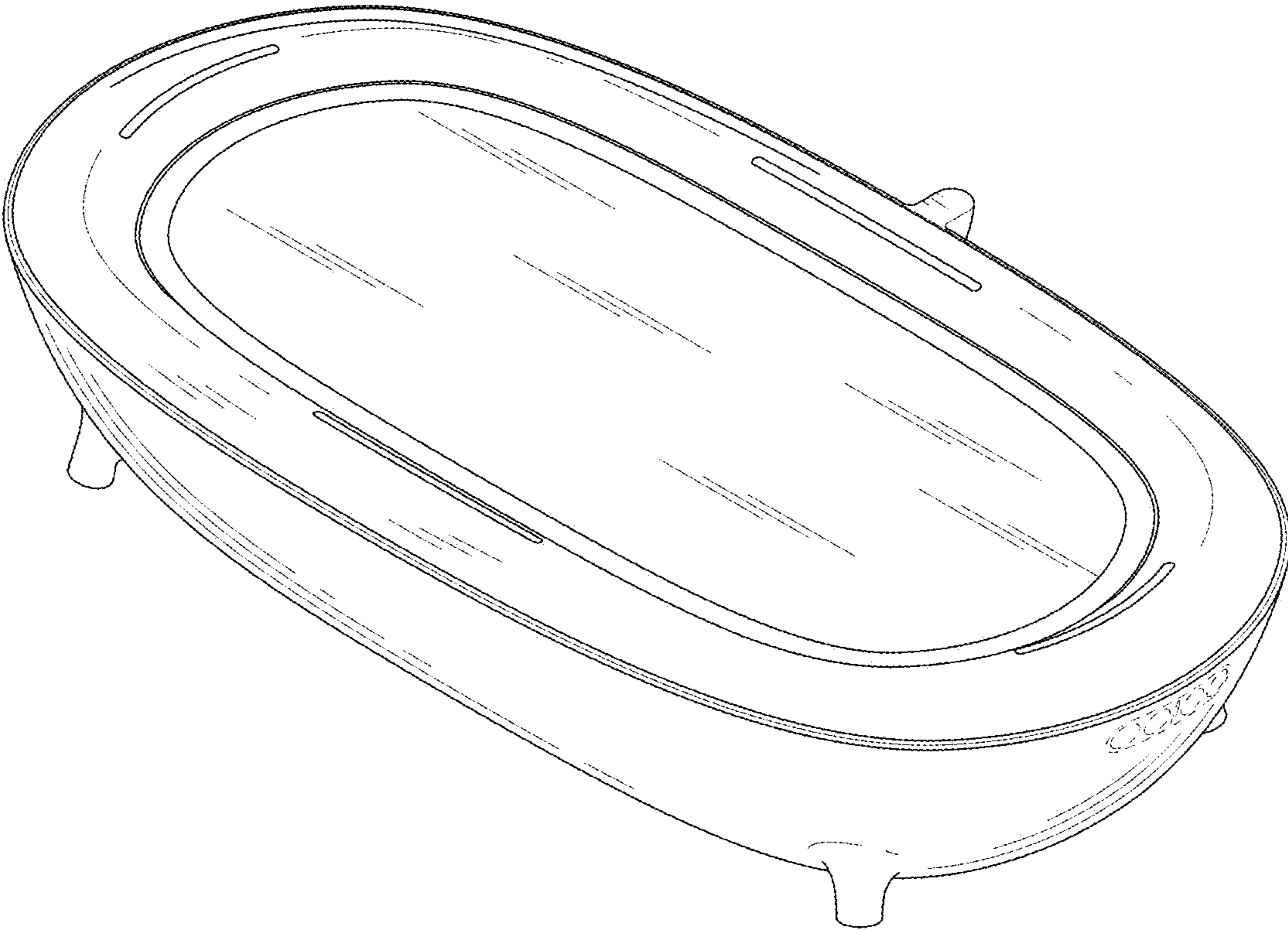


FIG. 2

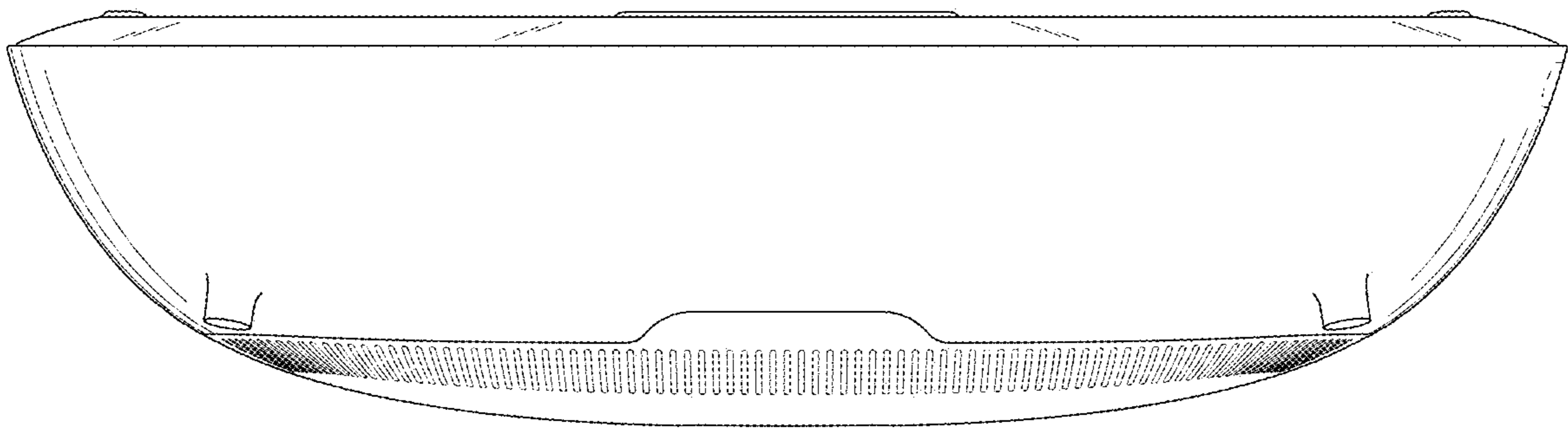


FIG. 3

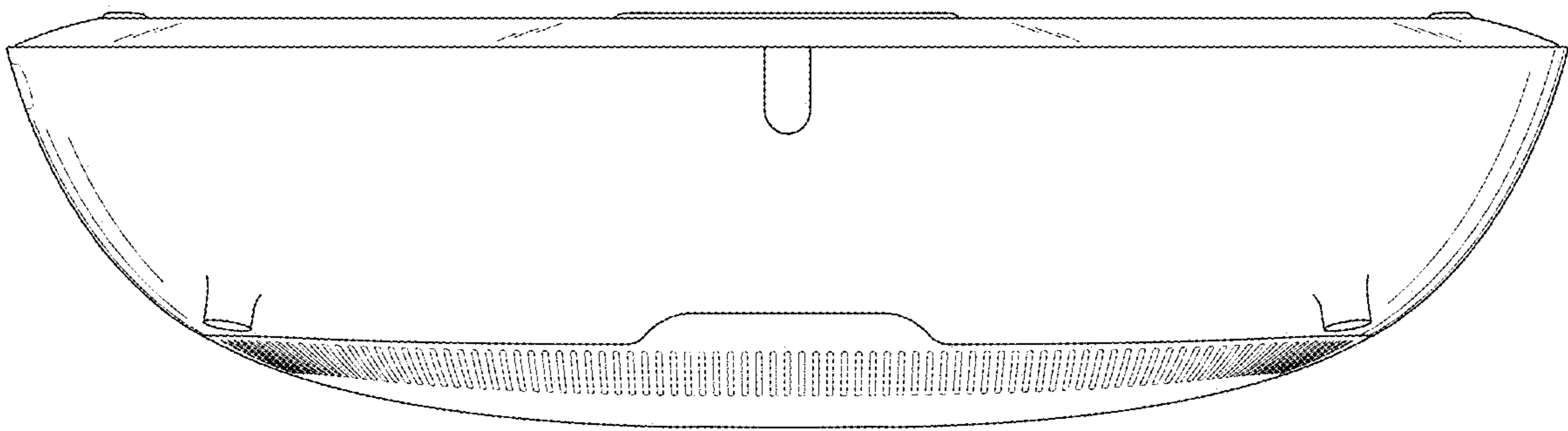


FIG. 4

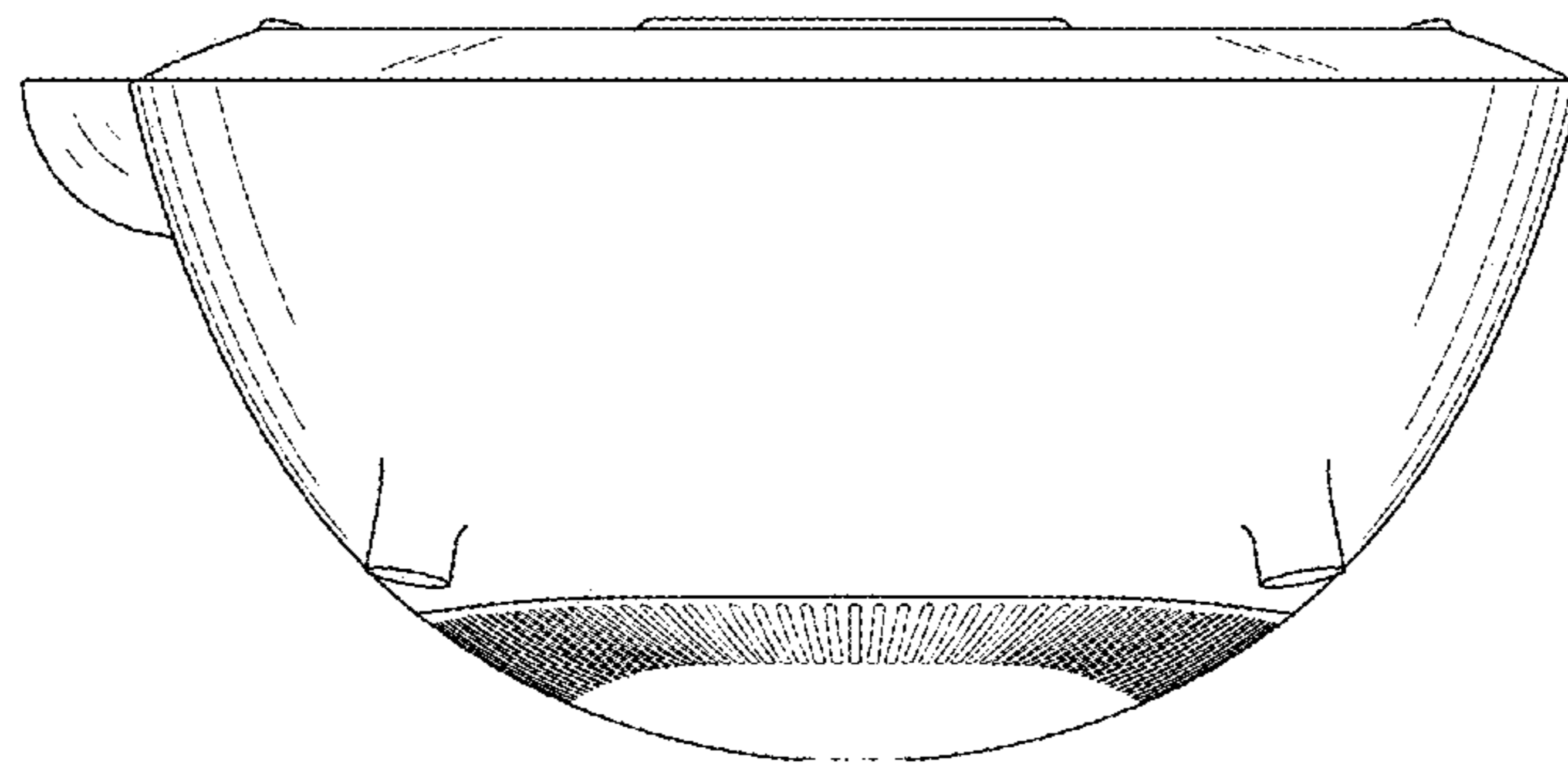


FIG. 5

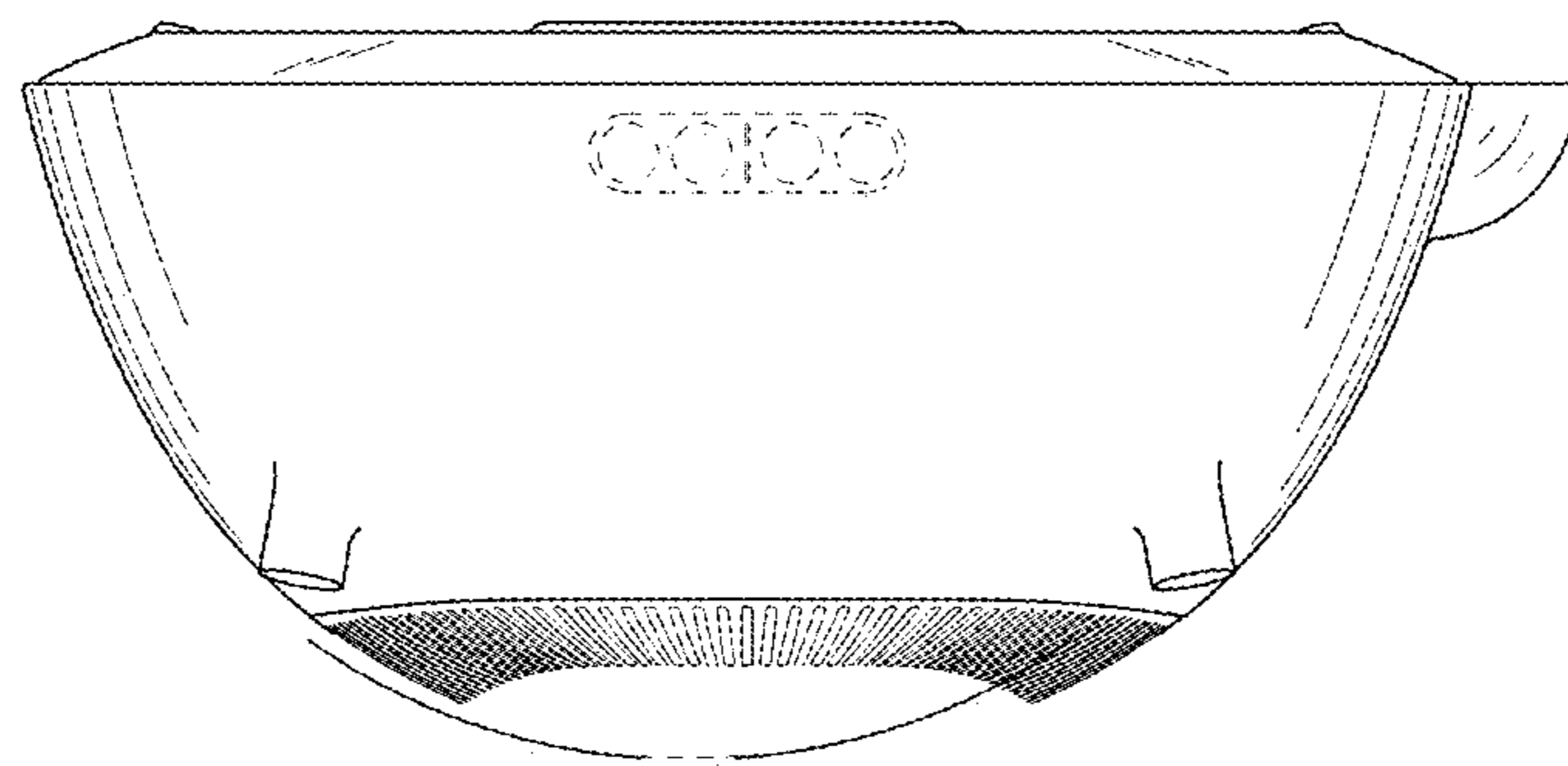


FIG. 6

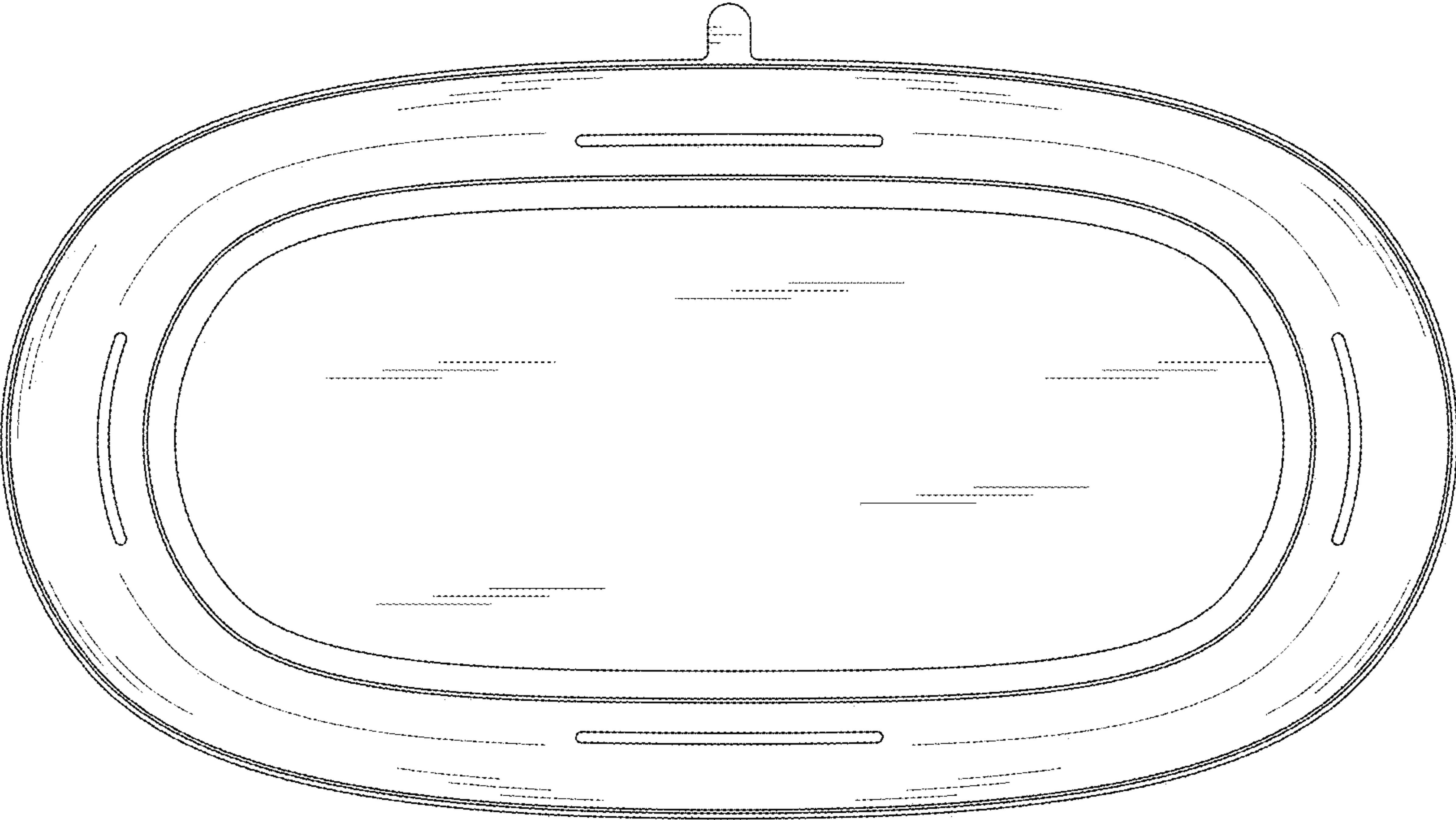


FIG. 7

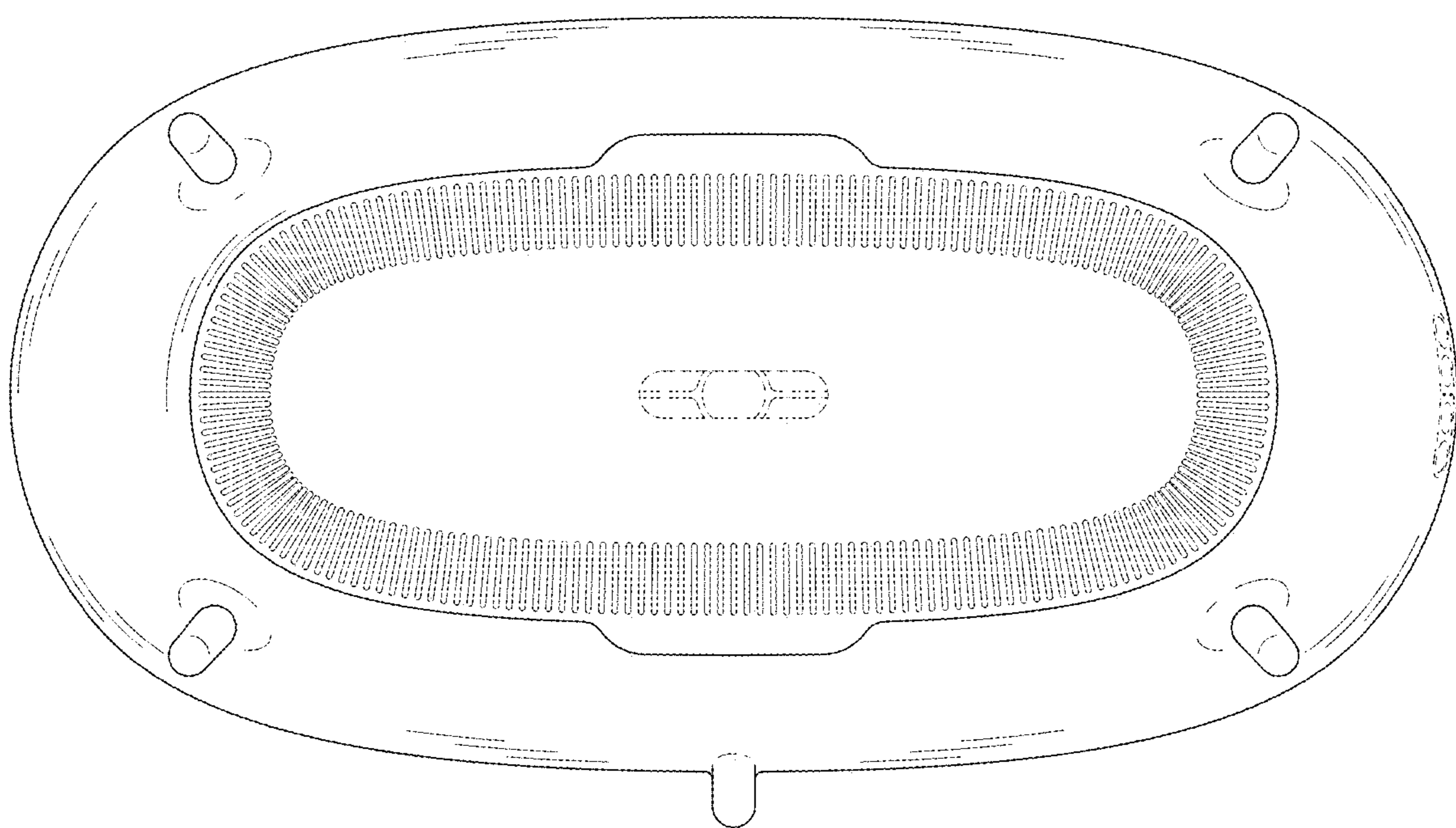


FIG. 8

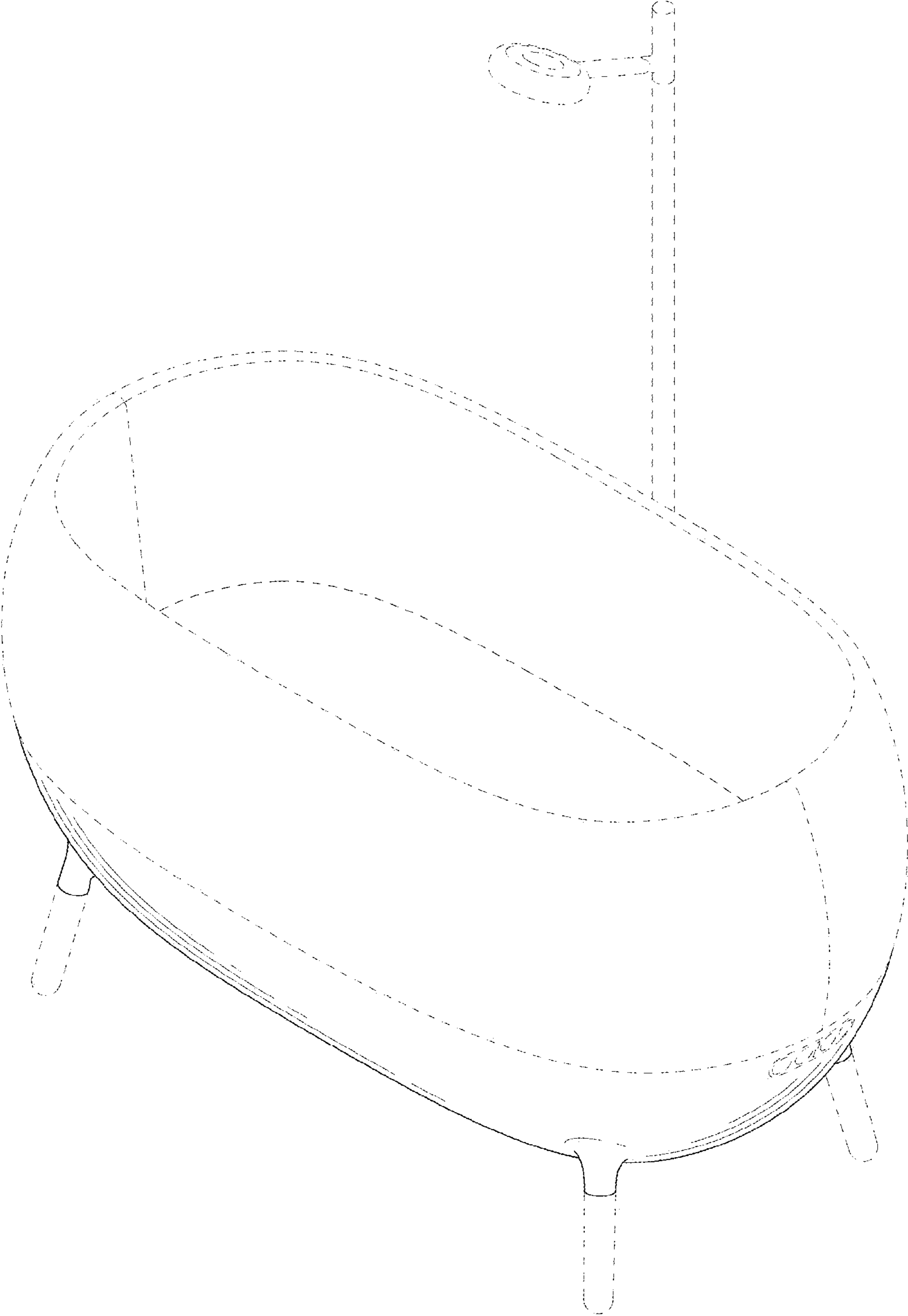


FIG. 9

