



US00D901223S

(12) **United States Design Patent**  
**Lai et al.**

(10) **Patent No.:** **US D901,223 S**  
(45) **Date of Patent:** **\*\* Nov. 10, 2020**

- (54) **ADJUSTER FOR AN ARMREST**
- (71) Applicants: **Yu-Shan Lai**, Taibao (TW); **Yen-Chi Lai**, Chiayi (TW)
- (72) Inventors: **Yu-Shan Lai**, Taibao (TW); **Yen-Chi Lai**, Chiayi (TW)
- (\*\*) Term: **15 Years**
- (21) Appl. No.: **29/687,928**
- (22) Filed: **Apr. 17, 2019**
- (51) **LOC (12) Cl.** ..... **06-01**
- (52) **U.S. Cl.**  
USPC ..... **D6/716.2**
- (58) **Field of Classification Search**  
USPC ..... D6/716, 716.1–716.8; D8/323, 349, 354, D8/355, 331, 330, 343, 374; 297/22, 31, 297/35, 239, 256.16, 284.4–284.5, 291, 297/297, 302.4, 411.2, 411.26–411.29, 297/411.31, 411.37, 440.13, 440.15, 297/451.1, 452.13, 452.19, 452.21, 297/452.27, 452.29, 452.3, 452.41, 297/452.56, 452.64  
CPC ..... A47C 7/54; A47C 1/03  
See application file for complete search history.

- 2006/0250018 A1\* 11/2006 Tsai ..... A47C 1/03 297/411.36
- 2009/0195045 A1\* 8/2009 Lai ..... A47C 1/03 297/411.35
- 2011/0278898 A1\* 11/2011 Lai ..... A47C 1/03 297/411.37

(Continued)

**FOREIGN PATENT DOCUMENTS**

CN 305519950 \* 4/2019

*Primary Examiner* — Cynthia Ramirez

*Assistant Examiner* — Xavier Marti-Santos

(74) *Attorney, Agent, or Firm* — Alan D. Kamrath; Karin L. Williams; Mayer & Williams PC

(57) **CLAIM**

The ornamental design for an adjuster for an armrest, as shown and described.

**DESCRIPTION**

FIG. 1 is a top side perspective view of an adjuster for an armrest showing our new design;  
 FIG. 2 is a bottom side perspective view of the adjuster for an armrest as shown in FIG. 1;  
 FIG. 3 is a front elevational view of the adjuster for an armrest as shown in FIG. 1;  
 FIG. 4 is a rear elevational view of the adjuster for an armrest as shown in FIG. 1;  
 FIG. 5 is a left side elevational view of the adjuster for an armrest as shown in FIG. 1;  
 FIG. 6 is a right side elevational view of the adjuster for an armrest as shown in FIG. 1;  
 FIG. 7 is a top plan view of the adjuster for an armrest as shown in FIG. 1; and,  
 FIG. 8 is a bottom plan view of the adjuster for an armrest as shown in FIG. 1.

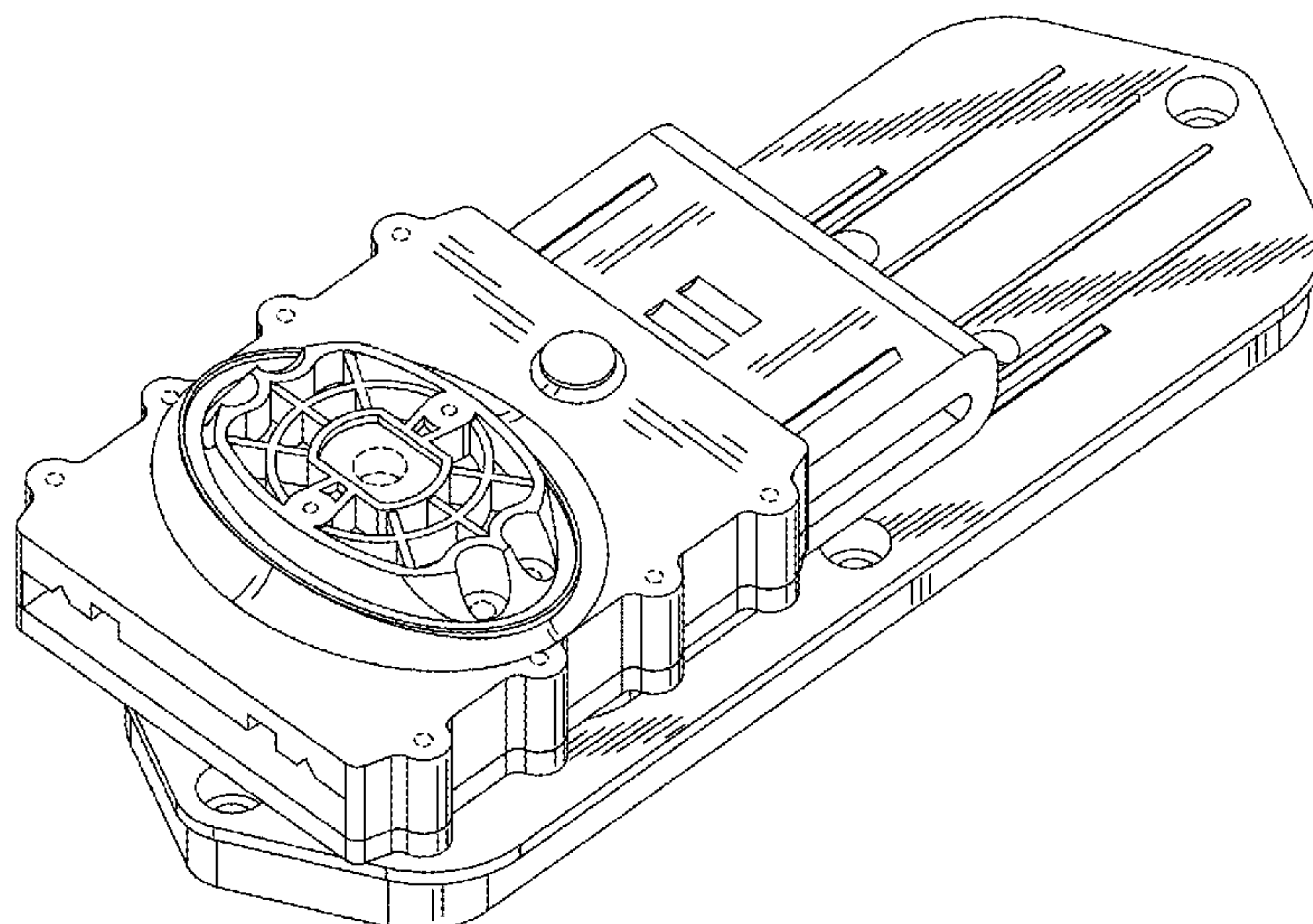
The broken lines shown in the drawings are for the purpose of illustrating portions of the adjuster for an armrest which form no part of the claimed design.

**1 Claim, 8 Drawing Sheets**

(56) **References Cited**

**U.S. PATENT DOCUMENTS**

- 5,931,537 A \* 8/1999 Gollin ..... A47C 1/03 297/411.27
- 6,074,012 A \* 6/2000 Wu ..... A47C 1/03 297/411.26
- D702,470 S \* 4/2014 Lai ..... D6/716.2
- D797,547 S \* 9/2017 Lai ..... D8/382
- 2002/0070598 A1\* 6/2002 Perl ..... A47C 1/03 297/411.35
- 2003/0030317 A1\* 2/2003 Chen ..... A47C 1/03 297/411.35
- 2005/0184574 A1\* 8/2005 Tsai ..... A47C 1/03 297/411.37



(56)

**References Cited**

U.S. PATENT DOCUMENTS

2012/0146381	A1 *	6/2012	Spooner .....	A47C 7/546 297/411.46
2013/0033082	A1 *	2/2013	Huang .....	A47C 1/03 297/411.36
2013/0062899	A1 *	3/2013	Stoia .....	B60N 2/773 296/24.34

\* cited by examiner

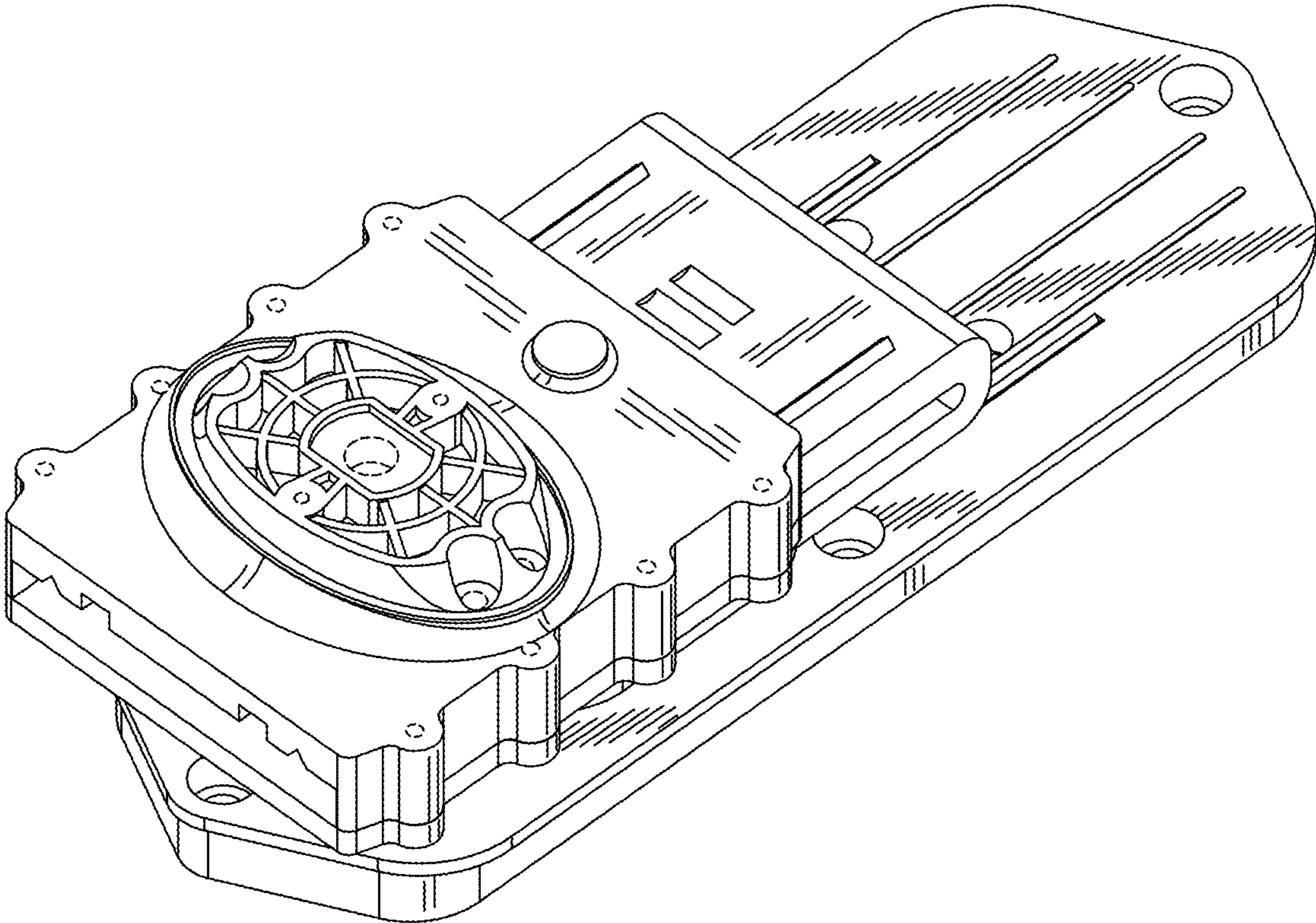


FIG. 1



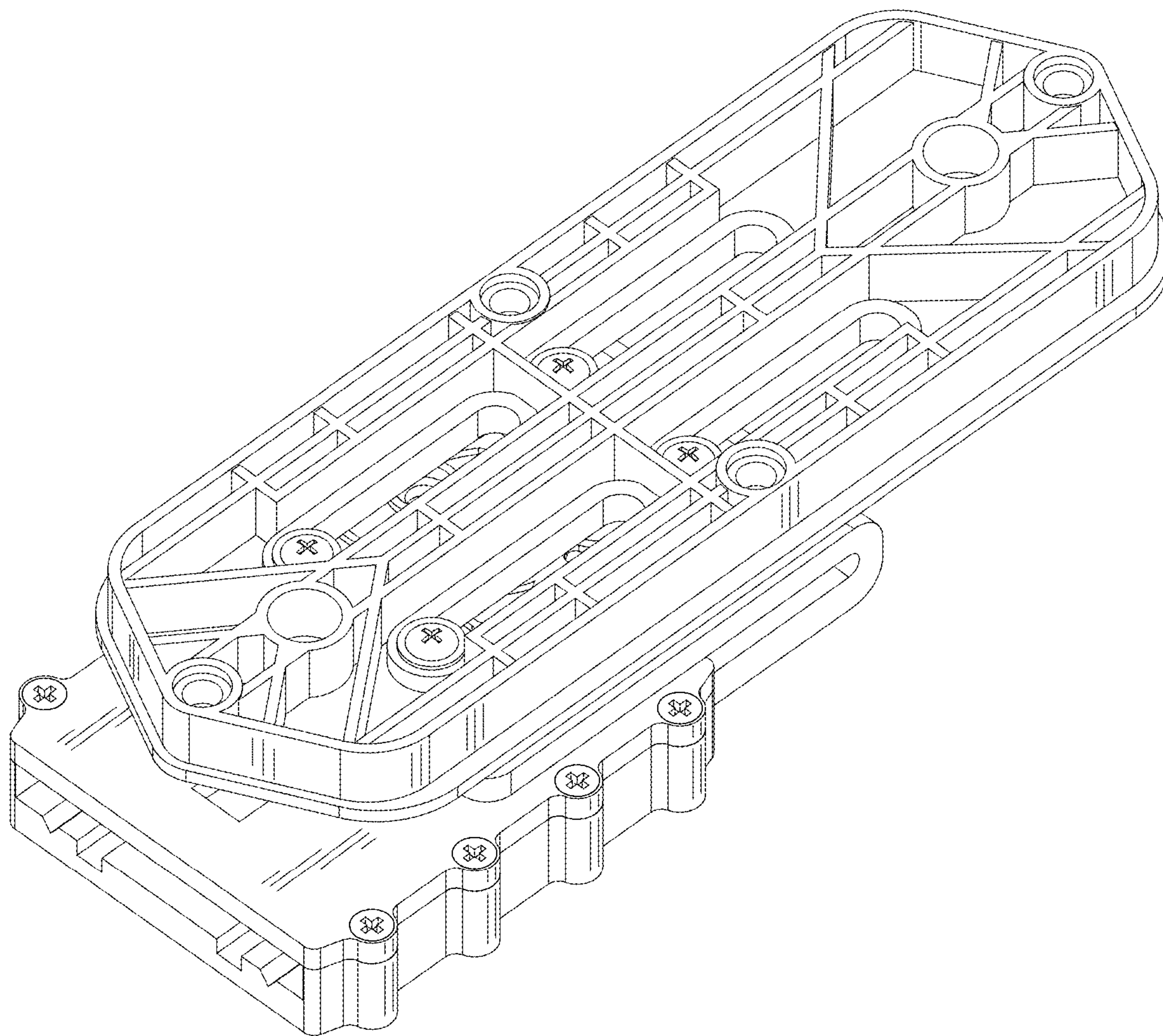


FIG. 2

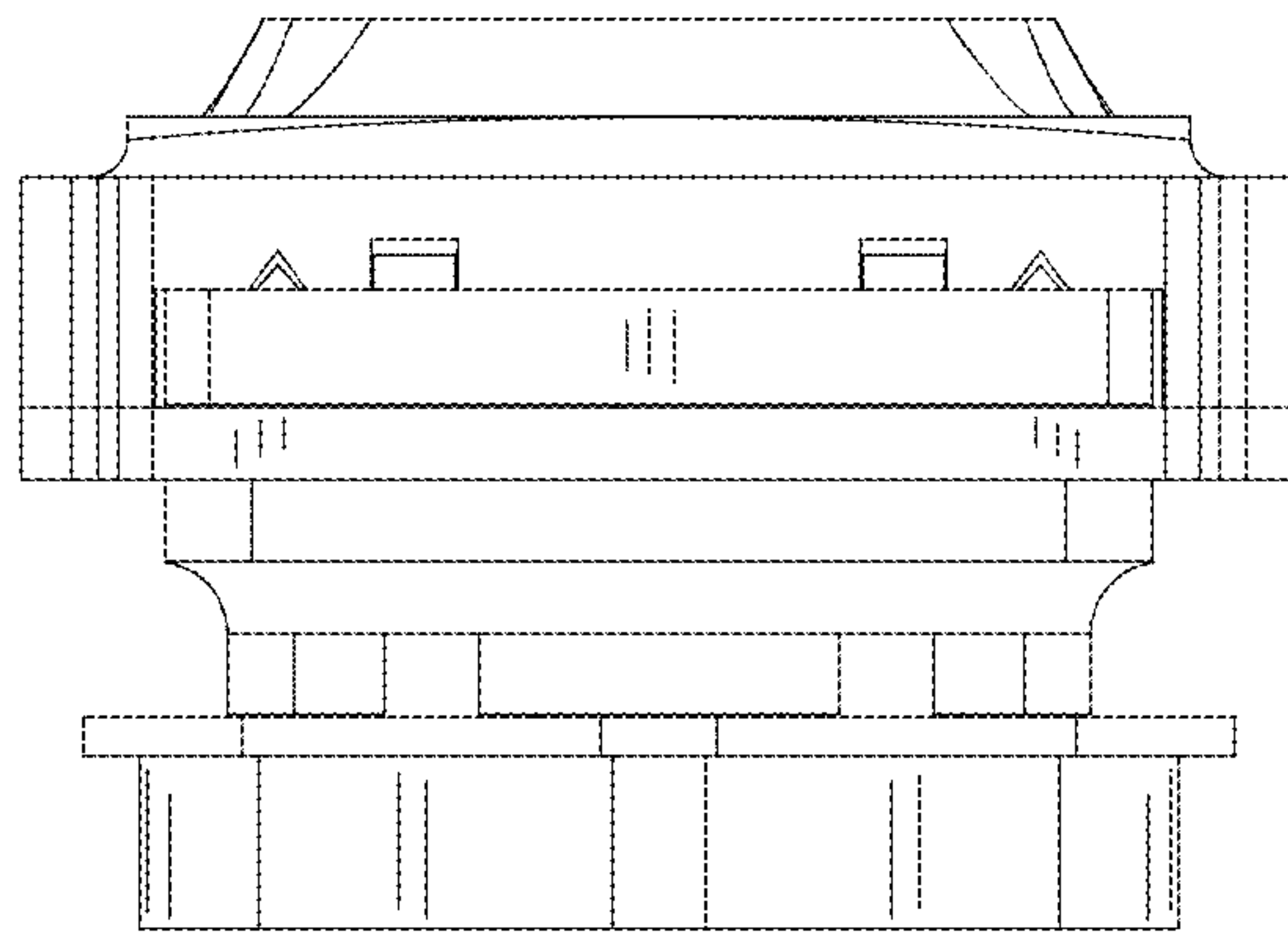


FIG. 3

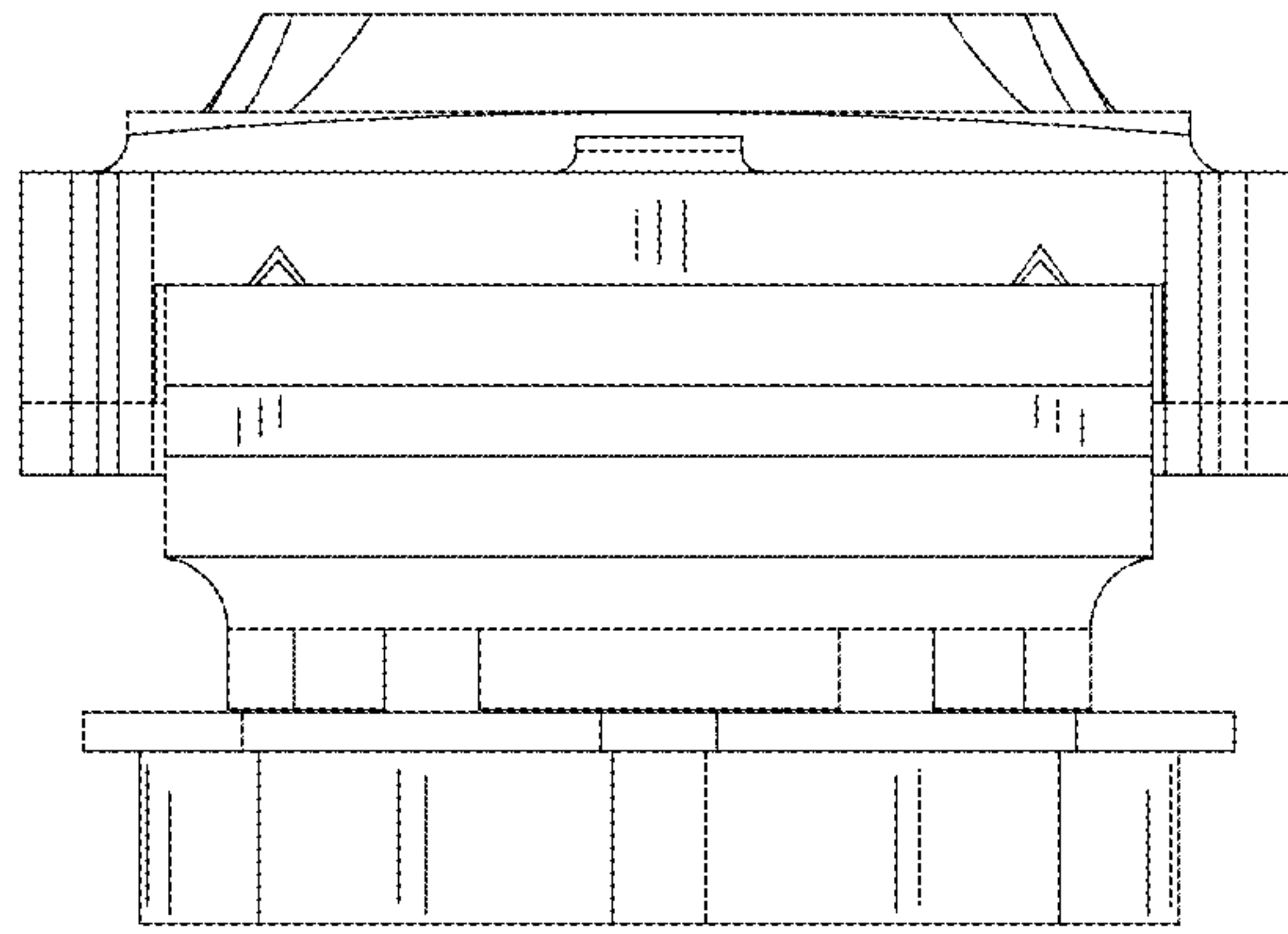


FIG. 4

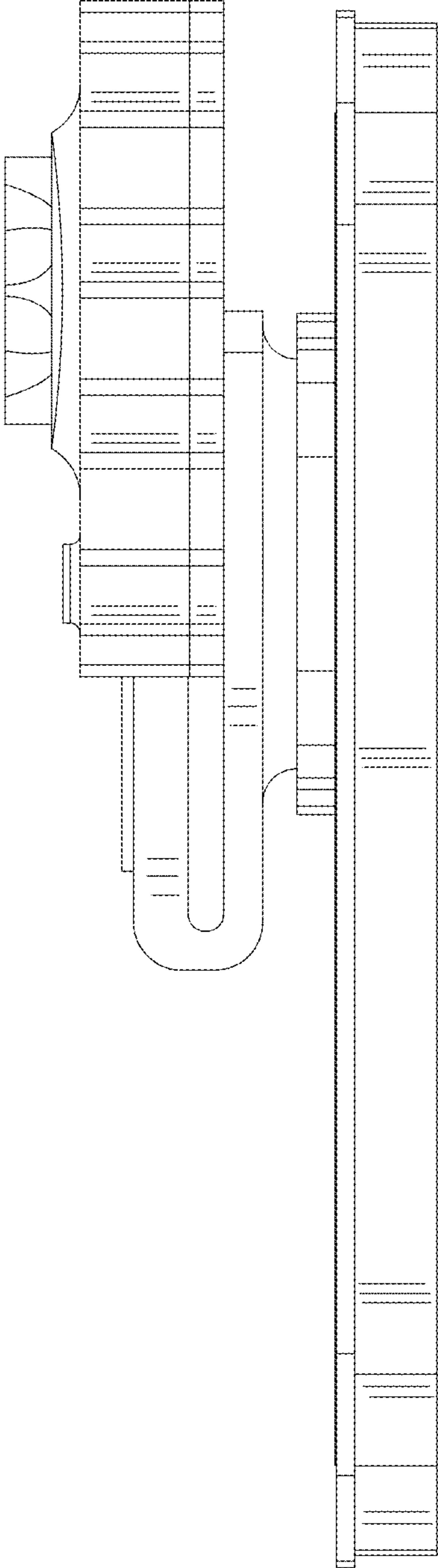


FIG. 5

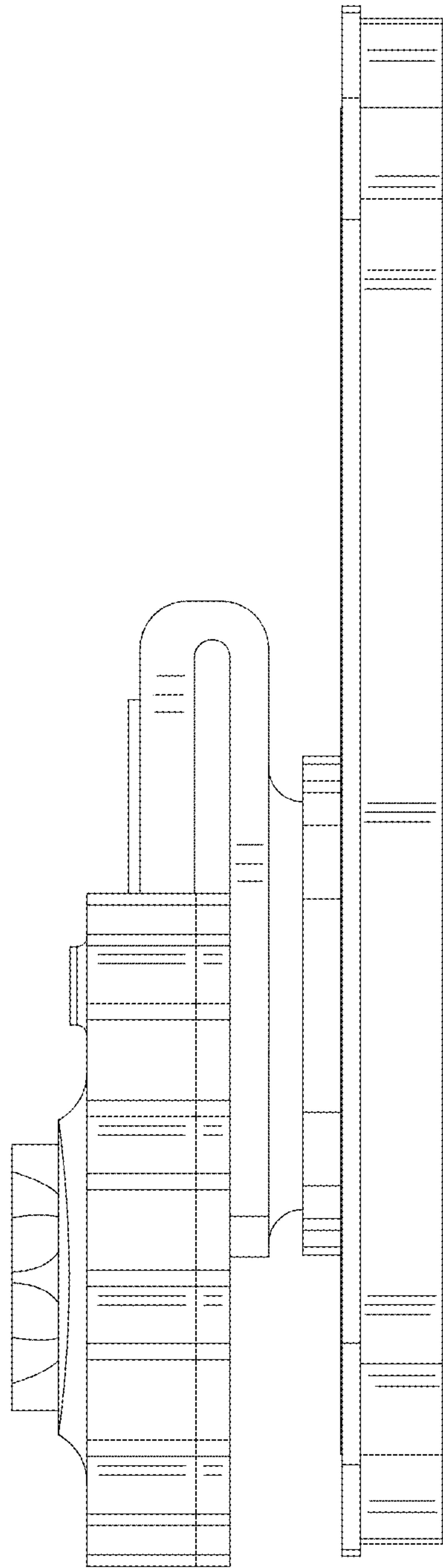


FIG. 6



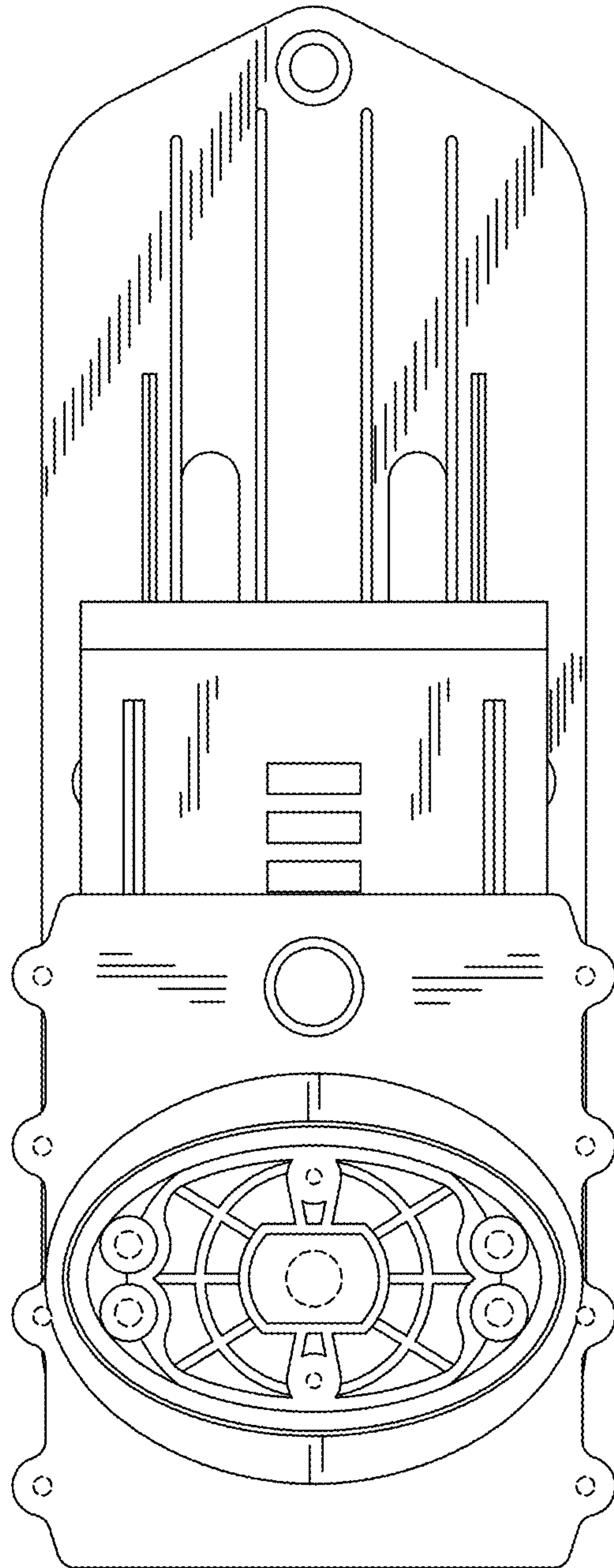


FIG. 7

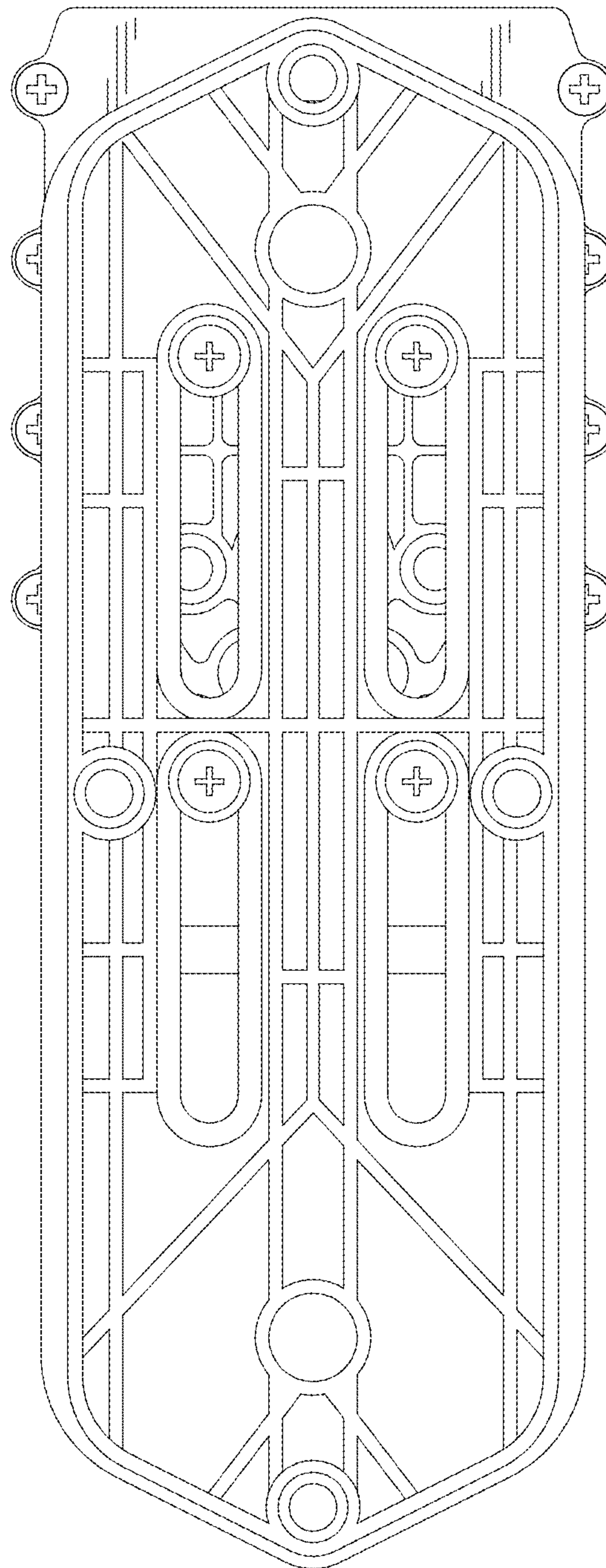


FIG. 8