



US00D901222S

(12) **United States Design Patent** (10) **Patent No.:** **US D901,222 S**
Irgang et al. (45) **Date of Patent:** **** Nov. 10, 2020**

(54) **DRAWER PART** 5,536,083 A * 7/1996 Brustle A47B 88/443
312/334.6
(71) Applicant: **Julius Blum GmbH**, Hoechst (AT) D563,125 S * 3/2008 Held D6/705.4
D572,510 S * 7/2008 Bohler D8/349
(72) Inventors: **Markus Irgang**, Altach (AT); **Guenter**
Schwarzmann, Dornbirn (AT);
Emanuel Netzer, Hoechst (AT); **Elvis**
Music, Lindau (DE) D572,511 S * 7/2008 Bohler D6/705.4
D577,936 S * 10/2008 Held D6/705.4
D686,429 S * 7/2013 Kampl D6/705
D746,090 S * 12/2015 Grabher D6/705.5
D882,316 S * 4/2020 Schwarzmann D6/705
2006/0049730 A1 * 3/2006 Sutterlutti A47B 88/90
312/330.1
(73) Assignee: **Julius Blum GmbH**, Hoechst (AT) 2020/0000226 A1 * 1/2020 Kampl A47B 88/925
(**) Term: **15 Years** * cited by examiner

(21) Appl. No.: **29/741,427**

(22) Filed: **Jul. 13, 2020**

Related U.S. Application Data

(62) Division of application No. 29/653,999, filed on Jun. 20, 2018.

(30) **Foreign Application Priority Data**

Dec. 22, 2017 (EM) 4562304-0041

(51) **LOC (12) Cl.** **06-06**

(52) **U.S. Cl.**
USPC **D6/705**

(58) **Field of Classification Search**

USPC D6/703, 703.2, 703.3, 705, 705.2, 705.4,
D6/705.5, 705.7, 707.19, 707.25, 706
CPC A47B 88/00; A47B 88/40; A47B 88/402;
A47B 88/407; A47B 88/413; A47B
88/417; A47B 88/433; A47B 88/90; A47B
88/906; A47B 88/944

See application file for complete search history.

(56) **References Cited**

U.S. PATENT DOCUMENTS

D278,194 S * 4/1985 Hardy D6/705.4
5,489,148 A * 2/1996 Grass A47B 88/90
312/348.2

Primary Examiner — R. Johnson

(74) *Attorney, Agent, or Firm* — Wenderoth, Lind & Ponack, L.L.P.

(57) **CLAIM**

The ornamental design for a drawer part, as shown and described.

DESCRIPTION

FIG. 1 is a front perspective view of a drawer part showing our new design;
FIG. 2 is a front view thereof;
FIG. 3 is a right side view thereof;
FIG. 4 is a left side view thereof;
FIG. 5 is a top view thereof;
FIG. 6 is a bottom view thereof;
FIG. 7 is a rear view thereof;
FIG. 8 is an enlarged, partial view of the rear, lower, left corner thereof; and,
FIG. 9 is an enlarged, partial view of the front, lower, right corner thereof.

1 Claim, 9 Drawing Sheets

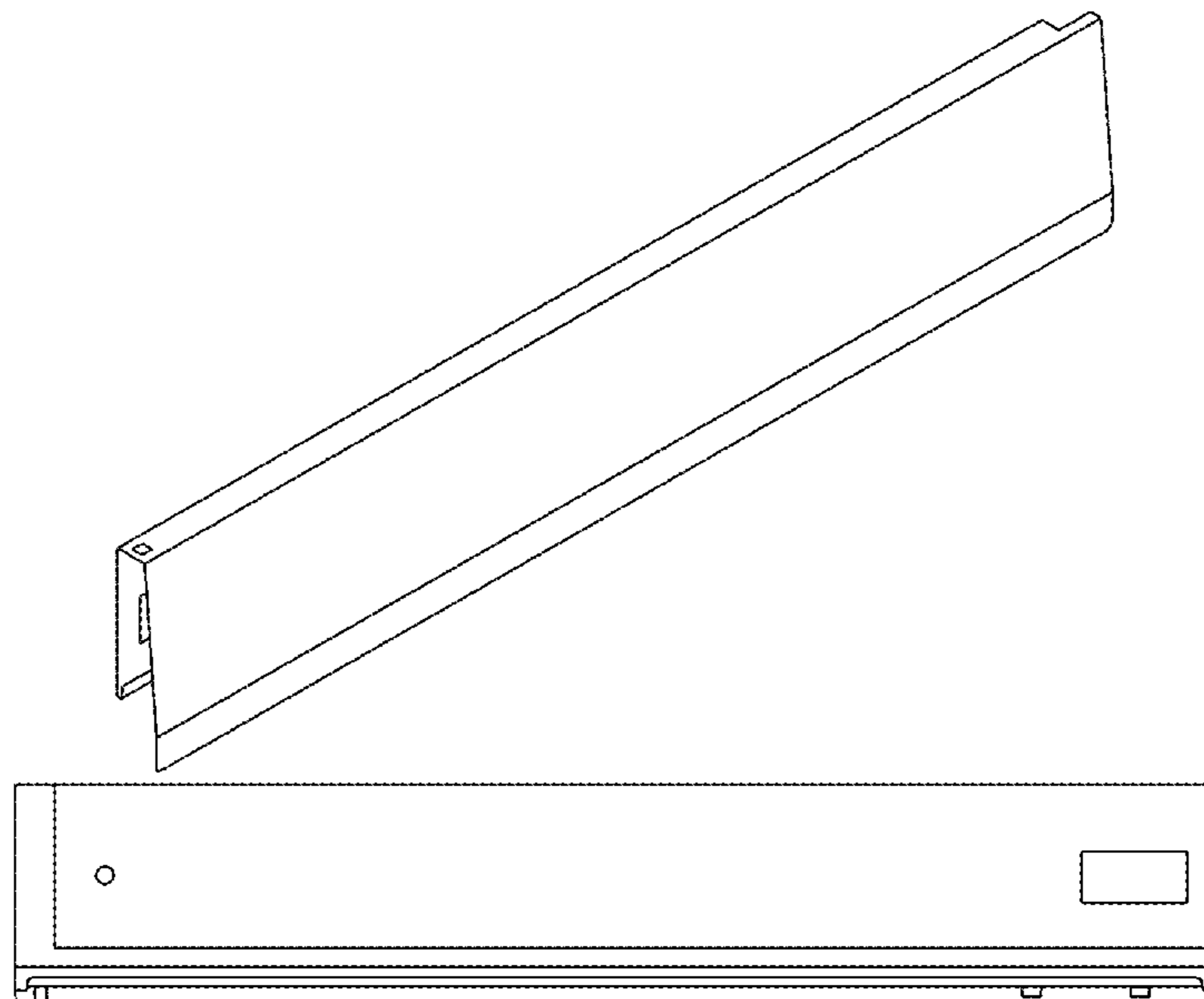


FIG. 1

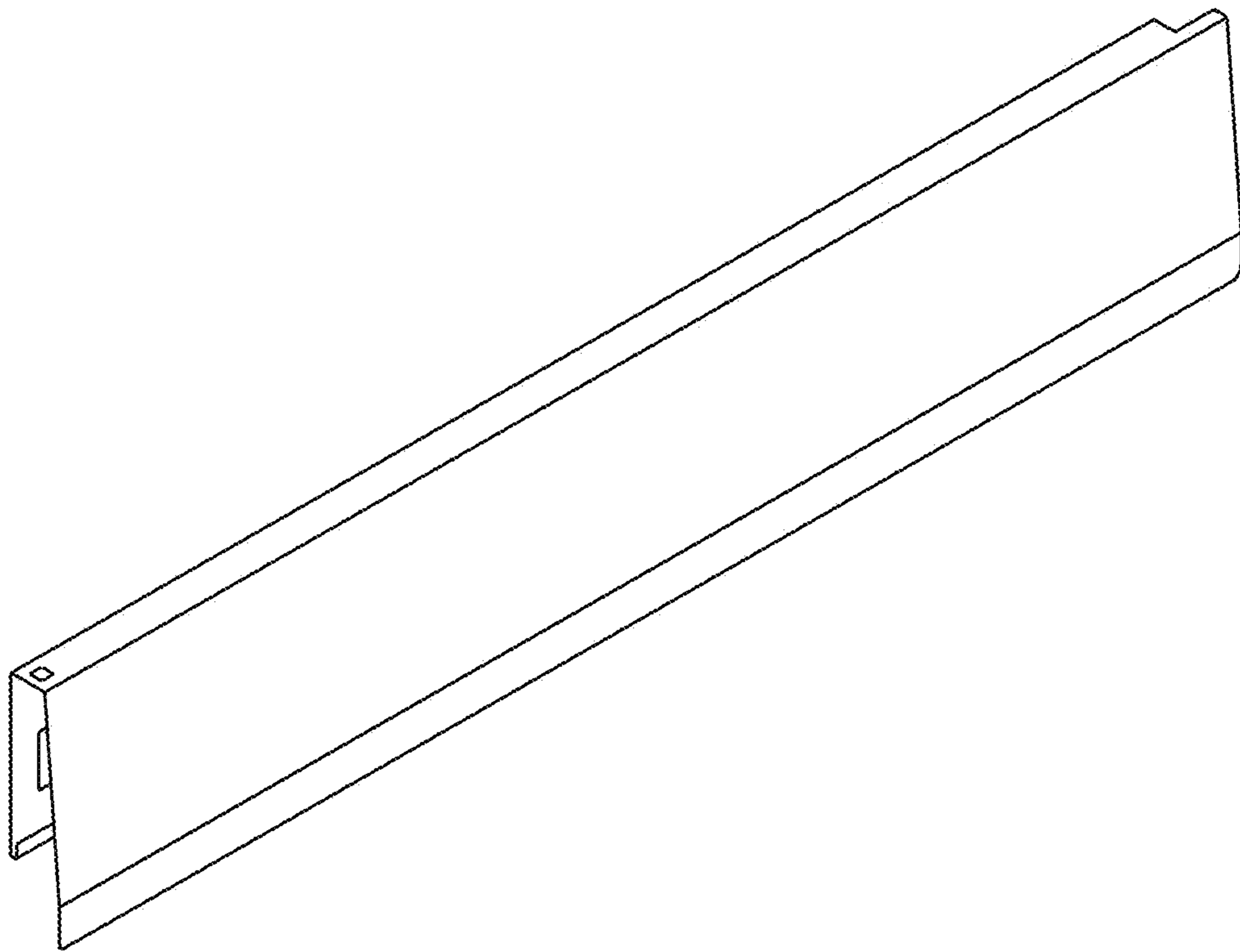


FIG. 2

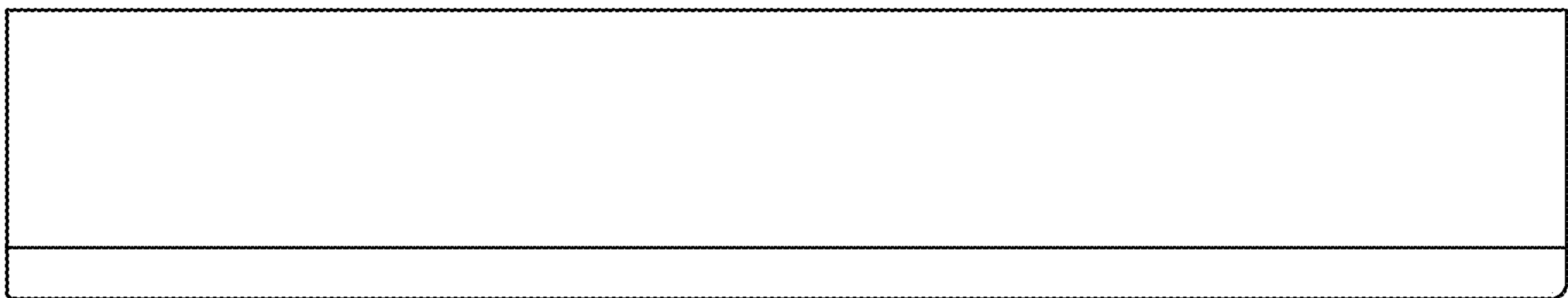


FIG. 3

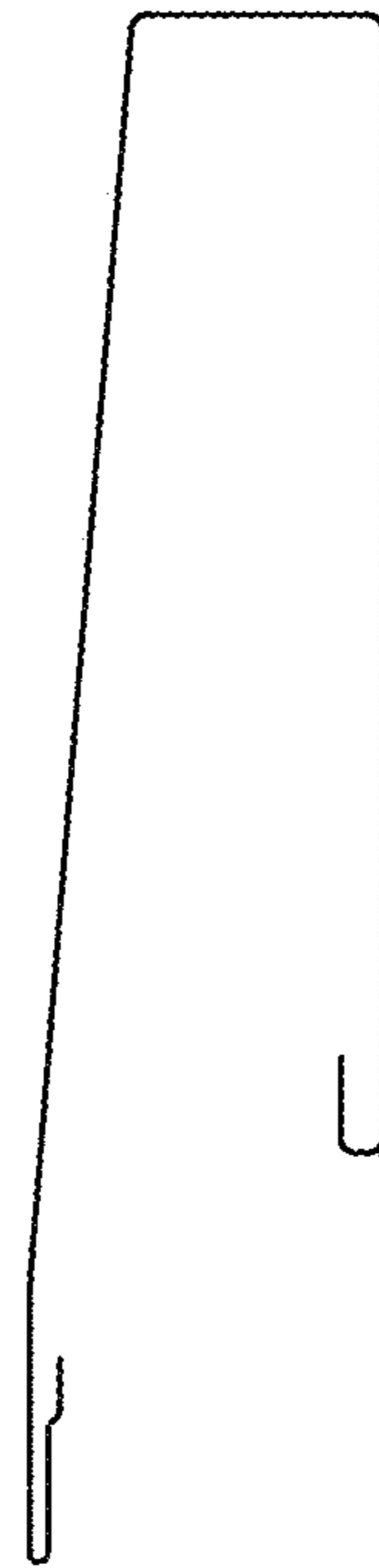


FIG. 4

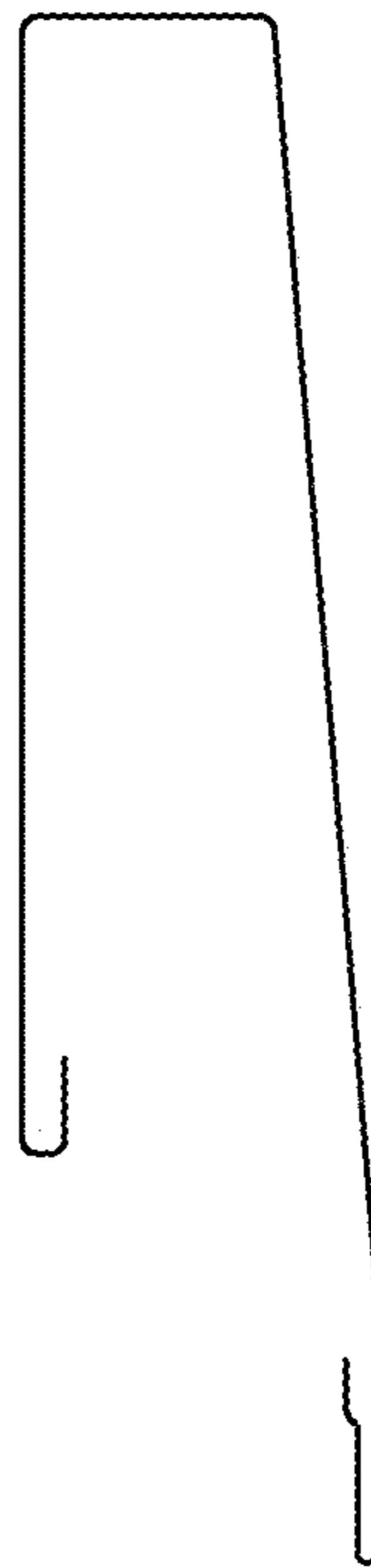


FIG. 5



FIG. 6



FIG. 7

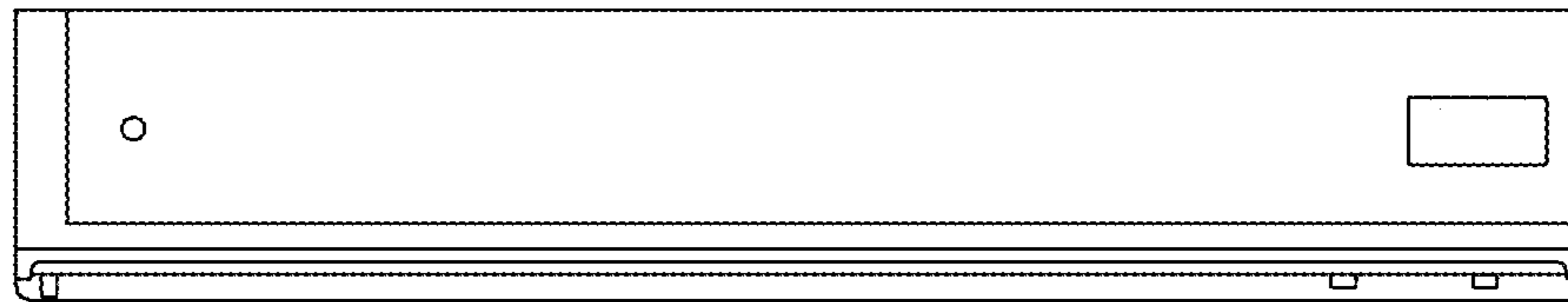


FIG. 8

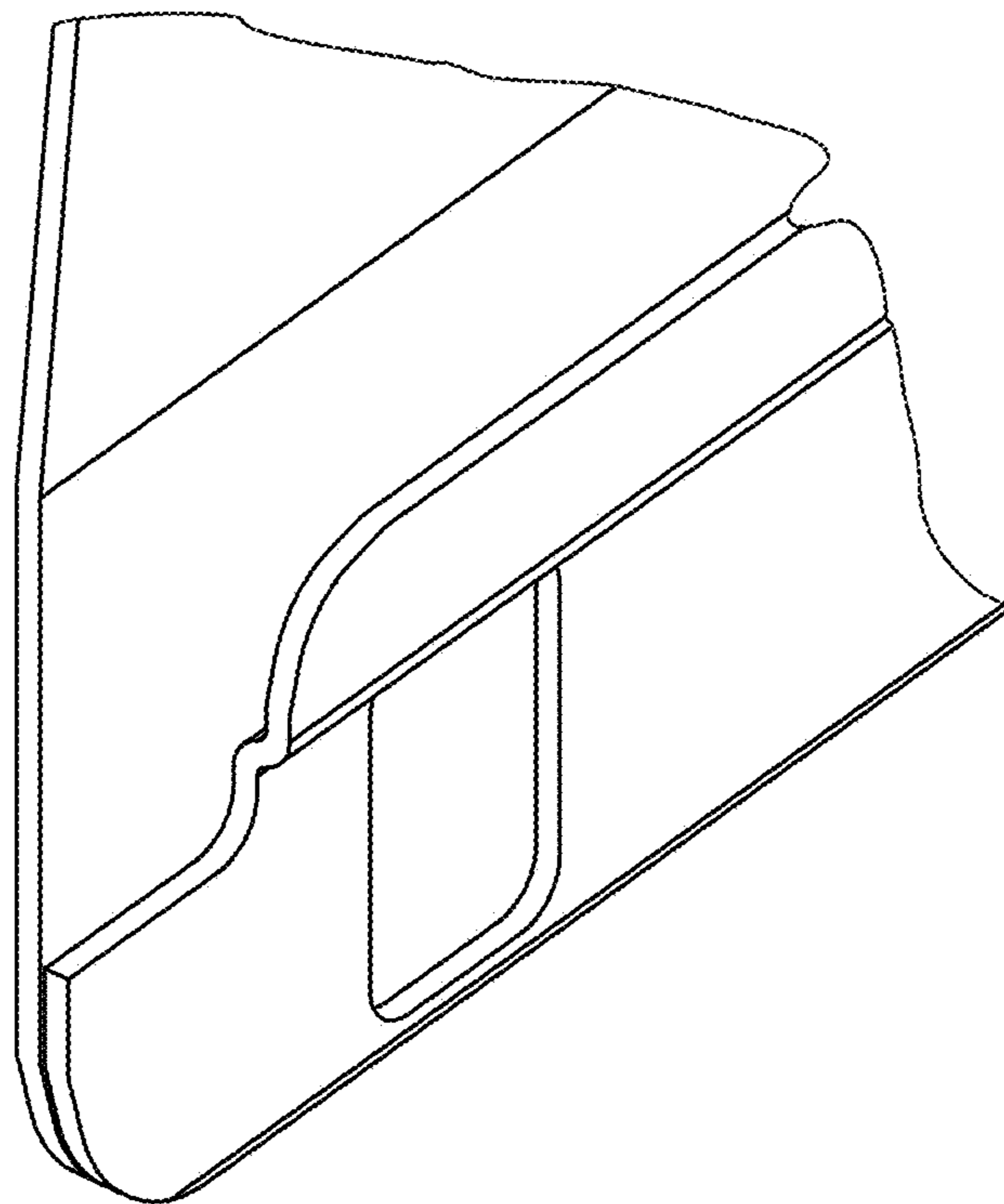


FIG. 9

