



US00D901220S

(12) **United States Design Patent**  
**Schwarzmann et al.**

(10) **Patent No.:** **US D901,220 S**

(45) **Date of Patent:** **\*\* Nov. 10, 2020**

(54) **DRAWER PART**

(71) Applicant: **Julius Blum GmbH**, Hoechst (AT)

(72) Inventors: **Guenter Schwarzmann**, Dornbirn (AT); **Markus Irgang**, Altach (AT); **Gerald Sperger**, Hard (AT)

(73) Assignee: **Julius Blum GmbH**, Hoechst (AT)

(\*\*) Term: **15 Years**

(21) Appl. No.: **29/653,672**

(22) Filed: **Jun. 18, 2018**

(30) **Foreign Application Priority Data**

Dec. 22, 2017 (EM) ..... 4562304-0045

Dec. 22, 2017 (EM) ..... 4562304-0047

(51) **LOC (12) Cl.** ..... **06-06**

(52) **U.S. Cl.**  
USPC ..... **D6/705**

(58) **Field of Classification Search**

USPC ..... D6/703, 703.2, 703.3, 705, 705.2, 705.4,  
D6/705.5, 705.7, 707.19, 707.25, 706

CPC ..... A47B 88/00; A47B 88/40; A47B 88/402;  
A47B 88/407; A47B 88/413; A47B  
88/417; A47B 88/433; A47B 88/90; A47B  
88/906; A47B 88/944

See application file for complete search history.

(56) **References Cited**

**U.S. PATENT DOCUMENTS**

D326,381 S \* 5/1992 Heiligenthal ..... D6/705

D572,511 S \* 7/2008 Bohler ..... D6/705.4

D625,941 S \* 10/2010 Holzer ..... D6/705.5  
D638,237 S \* 5/2011 Holzer ..... D6/705.5  
D684,399 S \* 6/2013 Gasser ..... D6/705.5  
D684,400 S \* 6/2013 Gasser ..... D6/705.5  
D684,401 S \* 6/2013 Gasser ..... D6/705  
D684,796 S \* 6/2013 Gasser ..... D6/705.5  
D686,017 S \* 7/2013 Gasser ..... D6/705  
D686,428 S \* 7/2013 Gasser ..... D6/705.2  
D840,182 S \* 2/2019 Warden ..... D6/705

**FOREIGN PATENT DOCUMENTS**

JP D1438111 4/2012  
JP D1441959 5/2012  
WO WO-2016131603 A1 \* 8/2016 ..... A47B 88/941

\* cited by examiner

*Primary Examiner* — R. Johnson

(74) *Attorney, Agent, or Firm* — Wenderoth, Lind & Ponack, L.L.P.

(57) **CLAIM**

The ornamental design for a drawer part, as shown and described.

**DESCRIPTION**

FIG. 1 is a front perspective view of a drawer part;  
FIG. 2 is a left side view thereof;  
FIG. 3 is a front view thereof;  
FIG. 4 is a top view thereof;  
FIG. 5 is a bottom view thereof;  
FIG. 6 is a right side view thereof;  
FIG. 7 is a rear view thereof; and,  
FIG. 8 is a rear perspective view thereof.

**1 Claim, 8 Drawing Sheets**

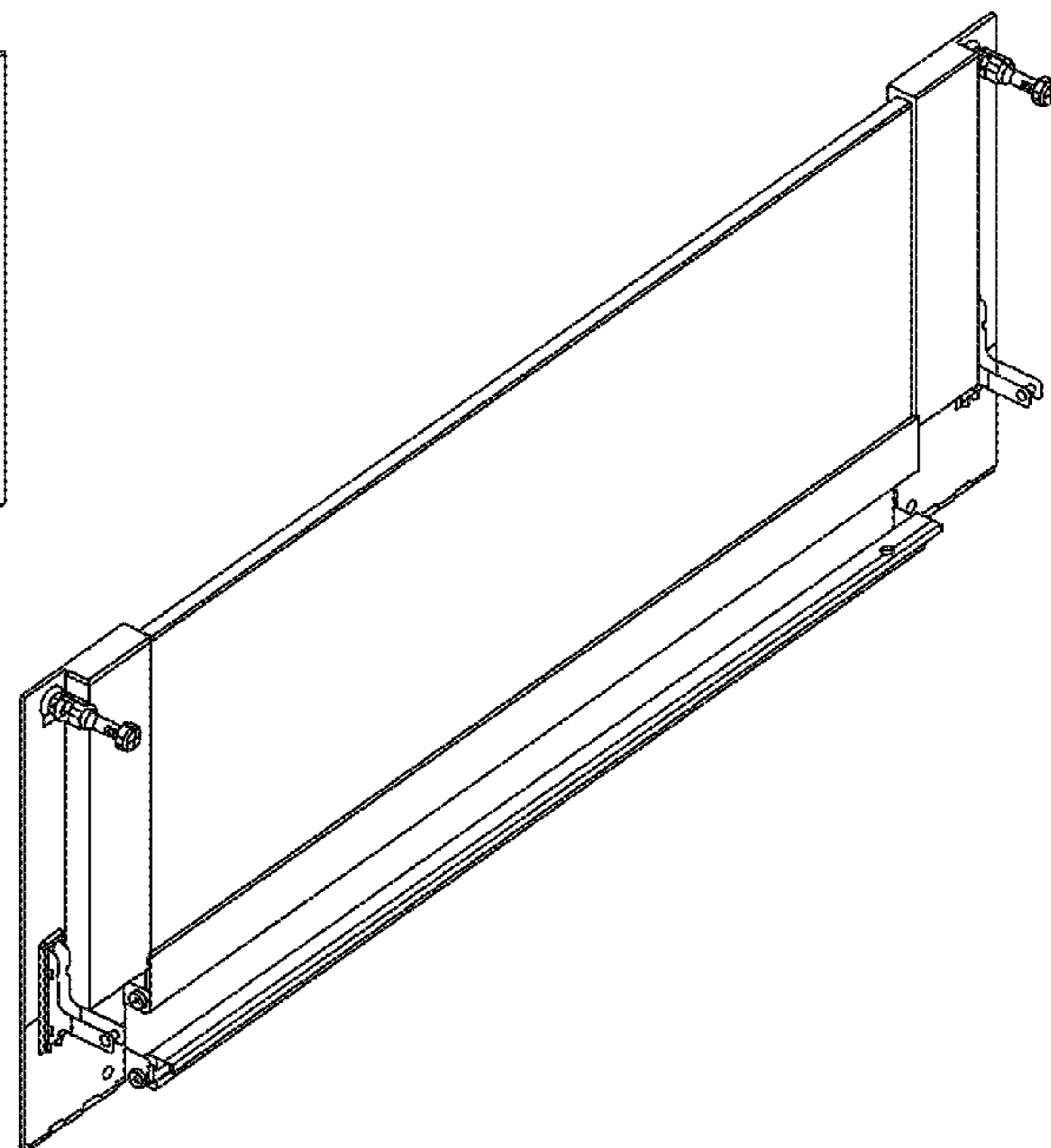
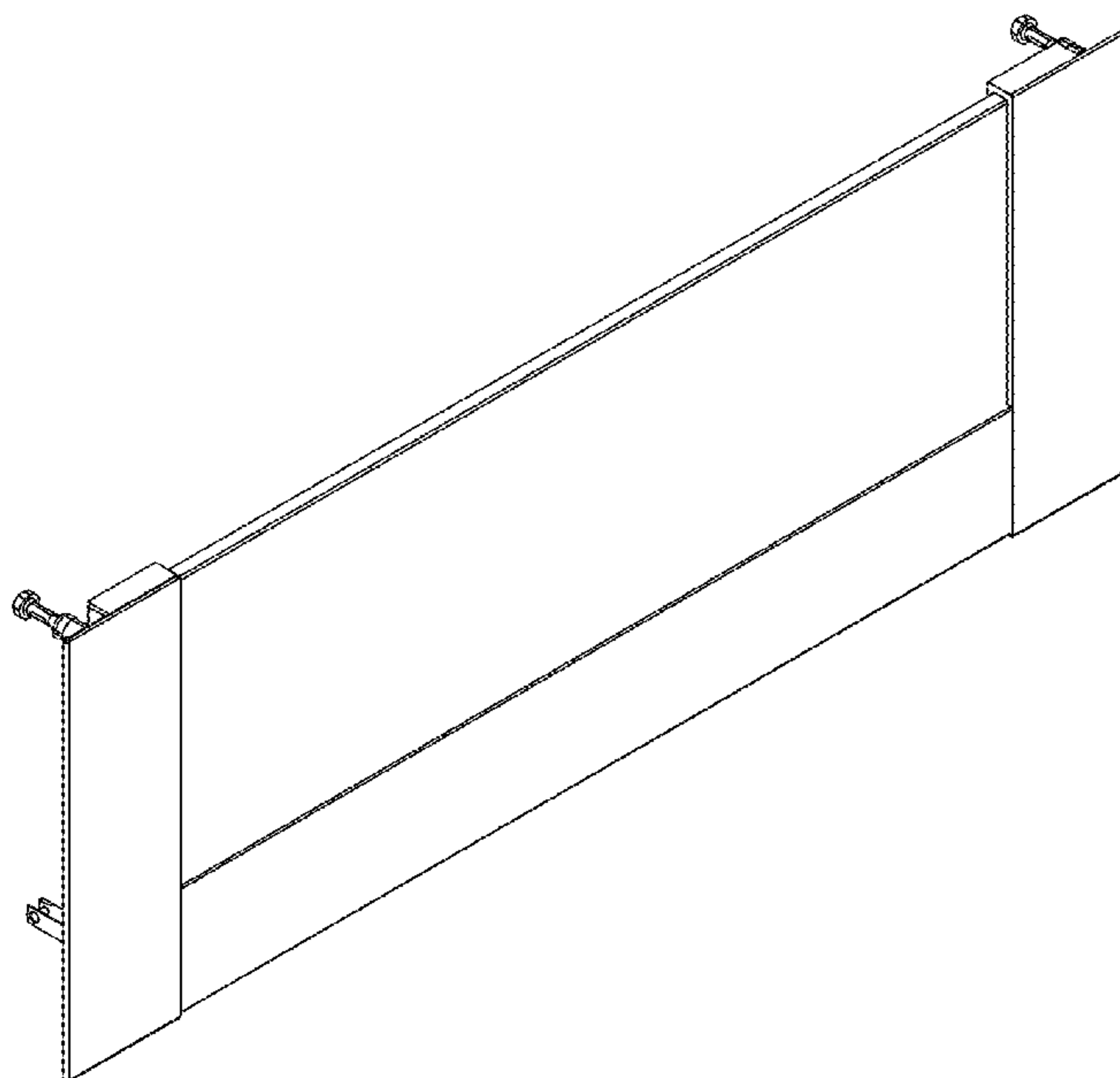


FIG. 1

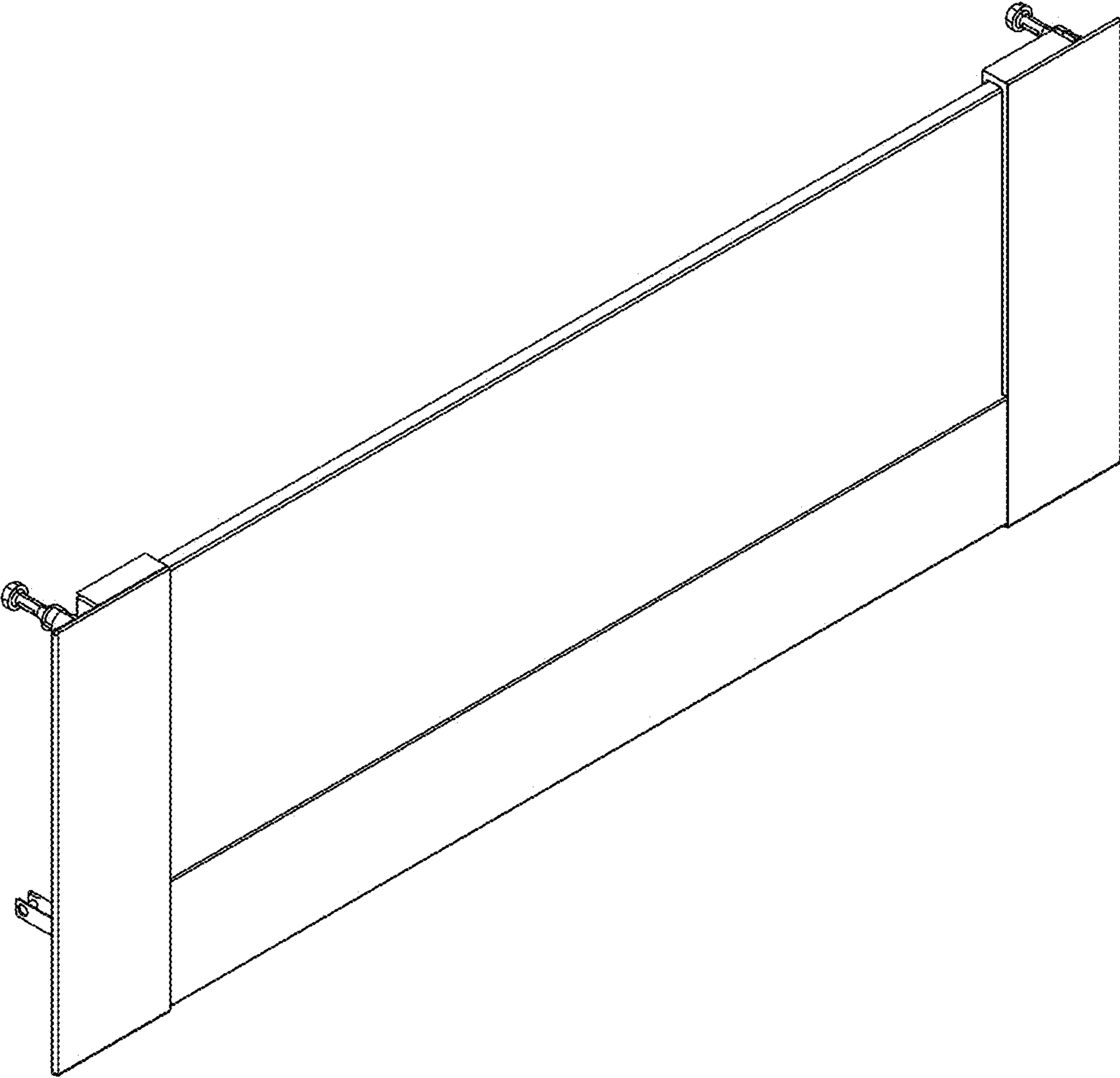


FIG. 2



FIG. 3

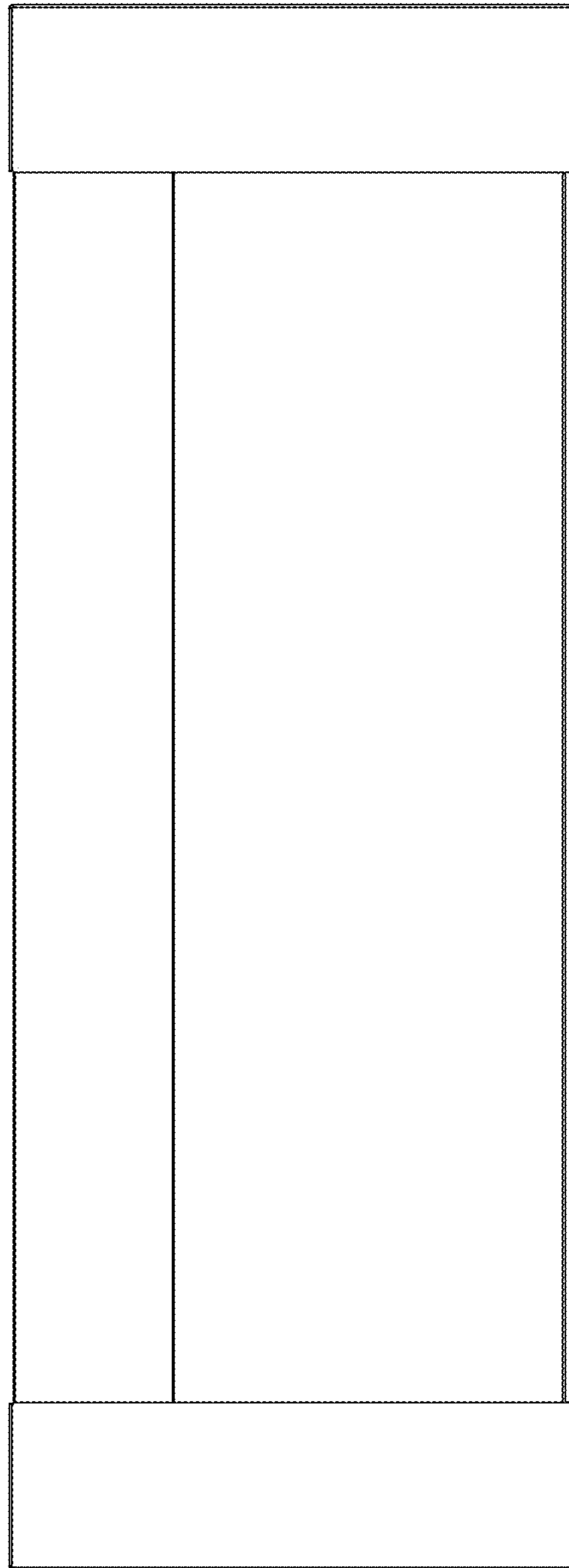


FIG. 4

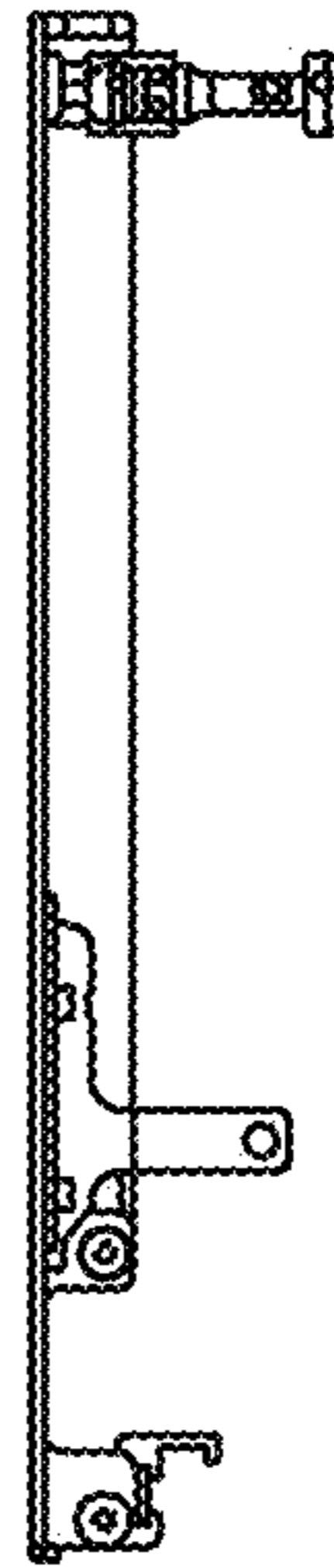


FIG. 5

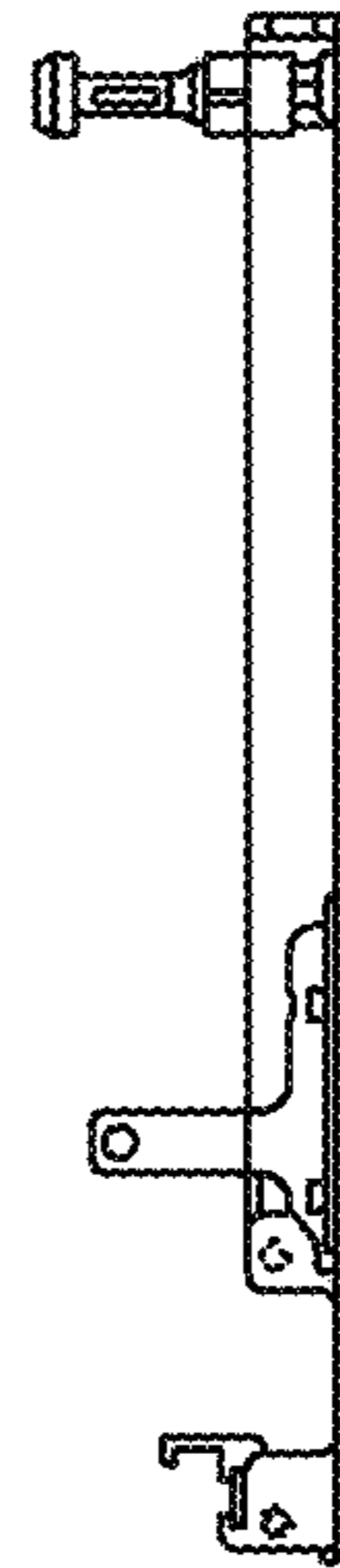


FIG. 6

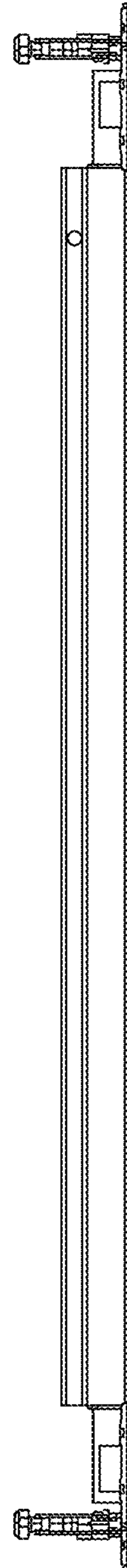


FIG. 7

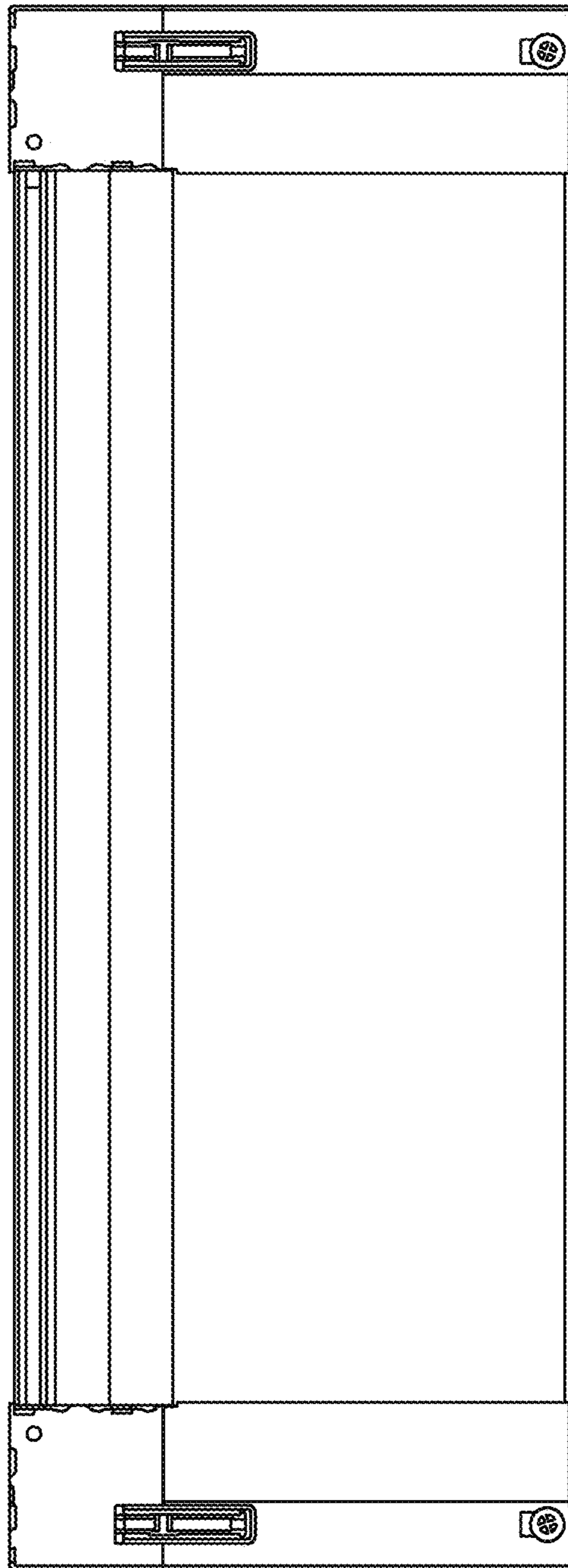




FIG. 8

