



US00D901218S

(12) **United States Design Patent**
Moriarty et al.

(10) **Patent No.:** **US D901,218 S**

(45) **Date of Patent:** **** Nov. 10, 2020**

- (54) **BAR**
- (71) Applicant: **Starbucks Corporation**, Seattle, WA (US)
- (72) Inventors: **Kiernan Moriarty**, London (GB);
Matias Sagaria, Brooklyn, NY (US)
- (73) Assignee: **Starbucks Corporation**, Seattle, WA (US)

D149,512 S *	5/1948	Moseley	D6/699
D272,306 S *	1/1984	Kennedy	D6/707
D367,970 S *	3/1996	Rhoads	D6/699
D438,726 S *	3/2001	Coburn	D6/648
D490,625 S *	6/2004	Trazzi	D6/699
D627,997 S *	11/2010	Ogawa	D6/707.22
D660,624 S *	5/2012	Ogawa	D6/707.22
D661,143 S *	6/2012	Ogawa	D6/707.22
D664,385 S *	7/2012	Ogawa	D6/707.22
D684,802 S *	6/2013	Johnson	D6/699.2
2005/0000394 A1 *	1/2005	Cheng	A47B 13/088 108/25

(**) Term: **15 Years**

* cited by examiner

(21) Appl. No.: **29/661,792**

Primary Examiner — Mary Ann Calabrese

(22) Filed: **Aug. 30, 2018**

Assistant Examiner — Catherine Ho

(51) **LOC (12) Cl.** **06-03**

(74) *Attorney, Agent, or Firm* — Knobbe, Martens, Olson & Bear LLP

(52) **U.S. Cl.**

USPC **D6/699**

(58) **Field of Classification Search**

USPC D6/668, 672, 685, 686, 688, 688.11,
D6/688.19, 691.1, 691.9, 692, 692.3,
D6/692.5, 694, 695, 695.2, 696, 696.1,
D6/696.2, 696.3, 697, 698, 699, 699.2,
D6/699.4, 701, 705, 707, 707.22, 707.23,
D6/707.24, 709

CPC .. A47B 37/00; A47B 3/00; A47B 1/00; A47B
3/06; A47B 3/08; A47B 7/00; A47B
21/00; A47B 23/00; A47B 25/00; A47B
13/08; A47B 3/083; A47B 3/14; A47B
41/00; A47B 17/00; A47B 3/0809; A47B
3/0812; A47B 2013/026; A47B 2200/03;
A47B 2200/00; A47B 2003/0821; A47C
3/045

See application file for complete search history.

(56) **References Cited**

U.S. PATENT DOCUMENTS

D137,570 S *	3/1944	Stark	D6/699
D137,571 S *	3/1944	Stark	D6/699

(57) **CLAIM**

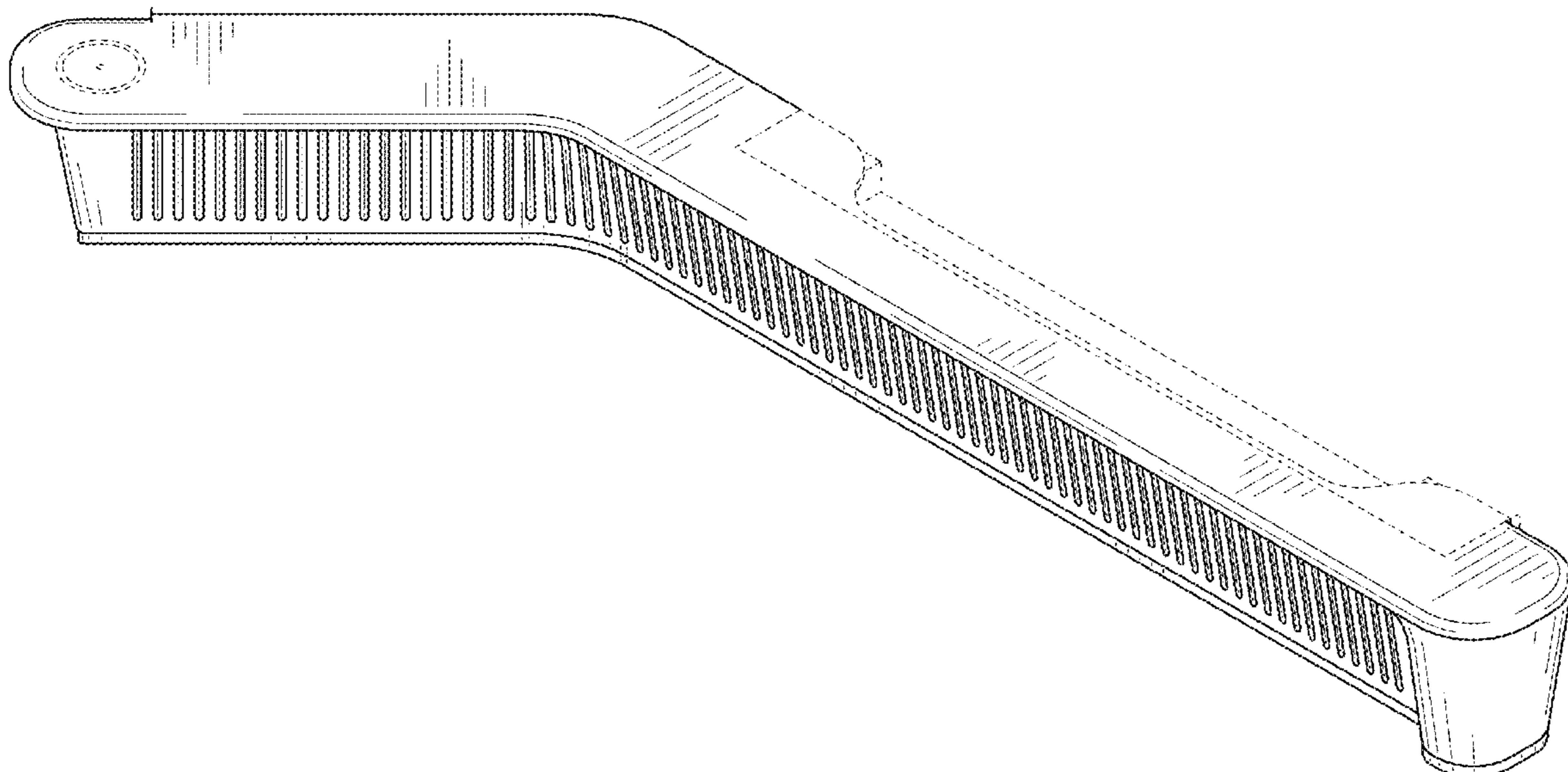
We claim the ornamental design for a bar, as shown and described.

DESCRIPTION

FIG. 1 is a top, front, and left side perspective view of a bar showing our design;
 FIG. 2 is a front elevation view of the design;
 FIG. 3 is a rear elevation view of the design;
 FIG. 4 is a left-side elevation view of the design;
 FIG. 5 is a right-side elevation view of the design;
 FIG. 6 is a top plan view of the design;
 FIG. 7 is a bottom plan view of the design; and,
 FIG. 8 is a bottom, front, and right side perspective view of the design.

The broken lines shown in the figures represent portions of the bar that form no part of the claimed design.

1 Claim, 7 Drawing Sheets



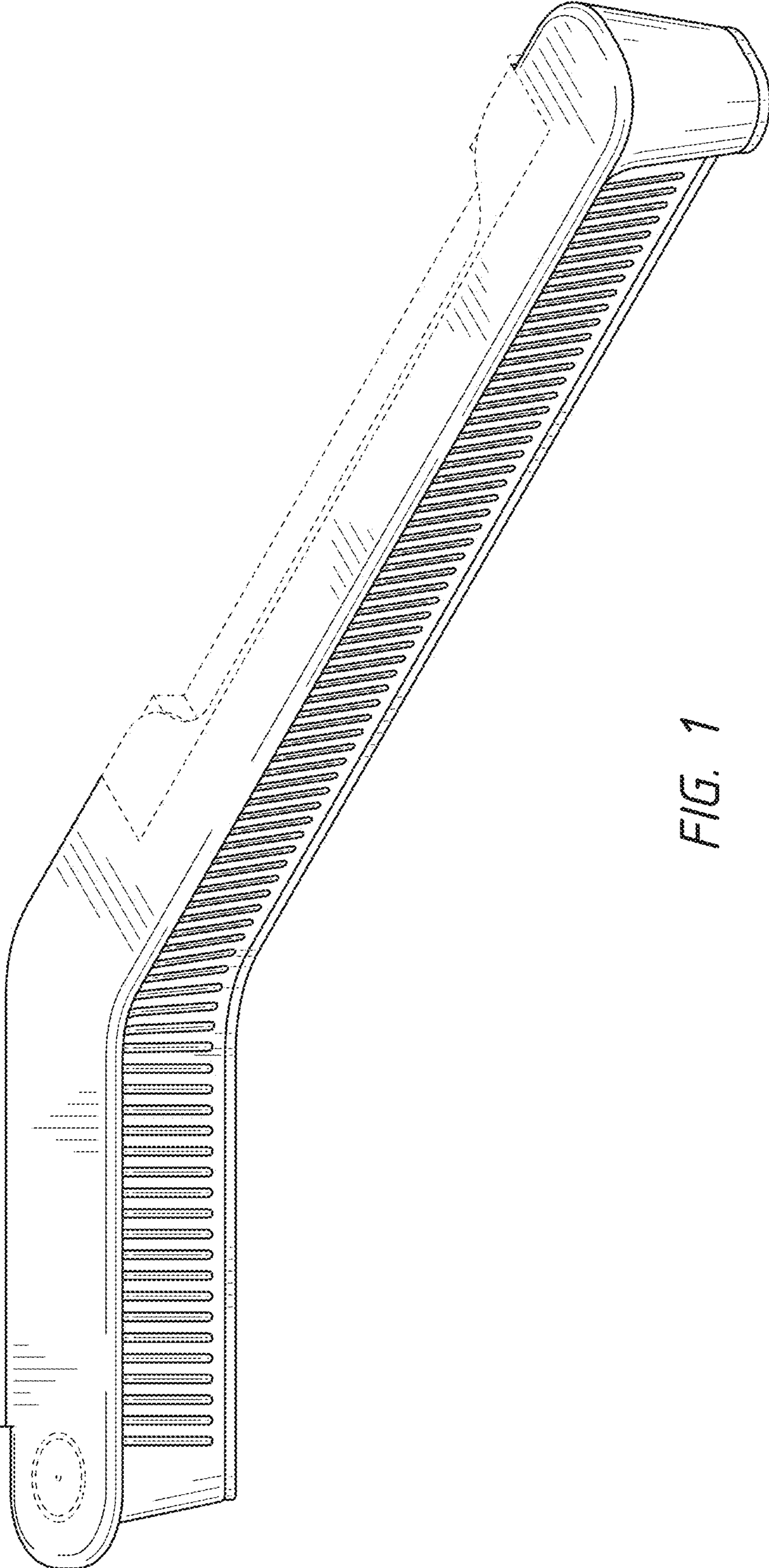


FIG. 1

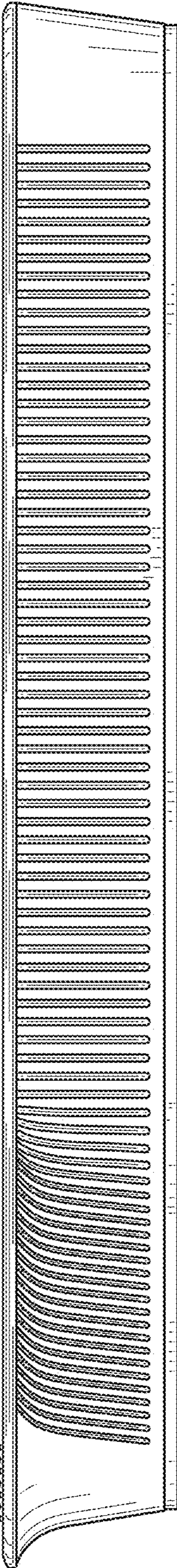


FIG. 2

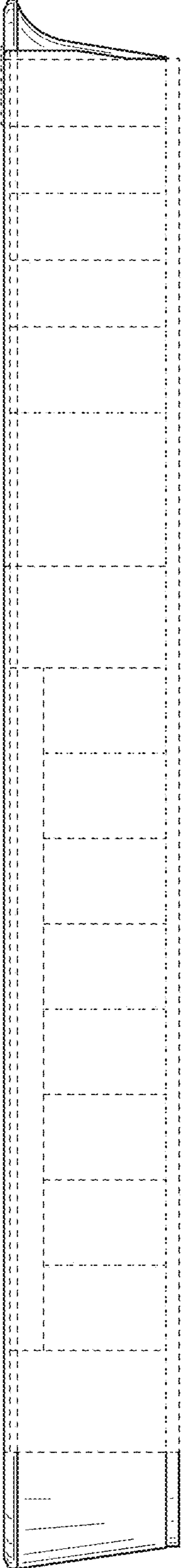


FIG. 3

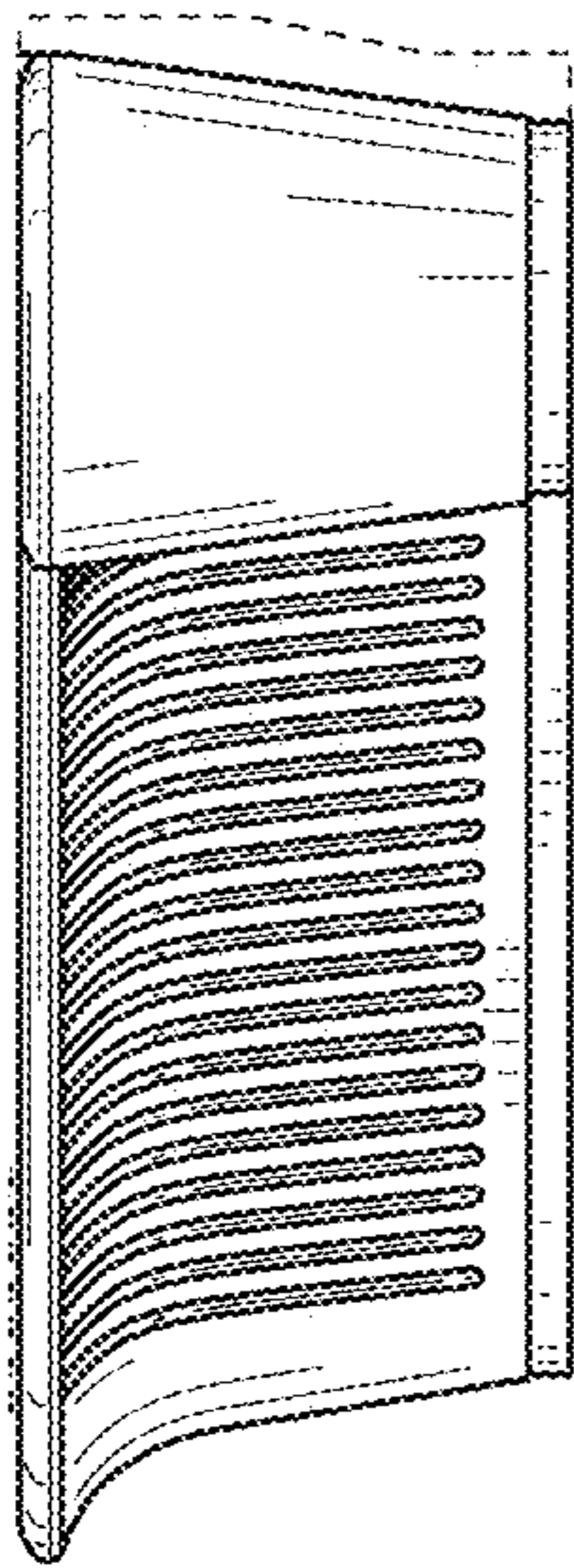


FIG. 4

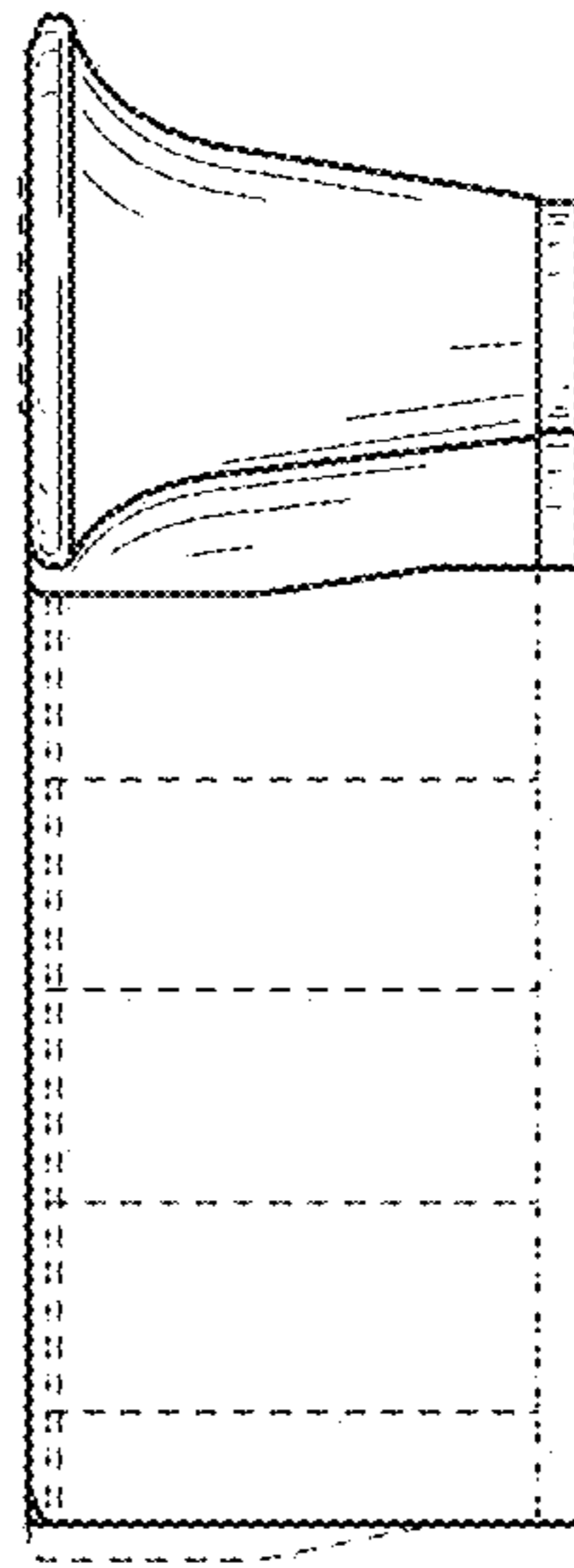


FIG. 5



FIG. 6

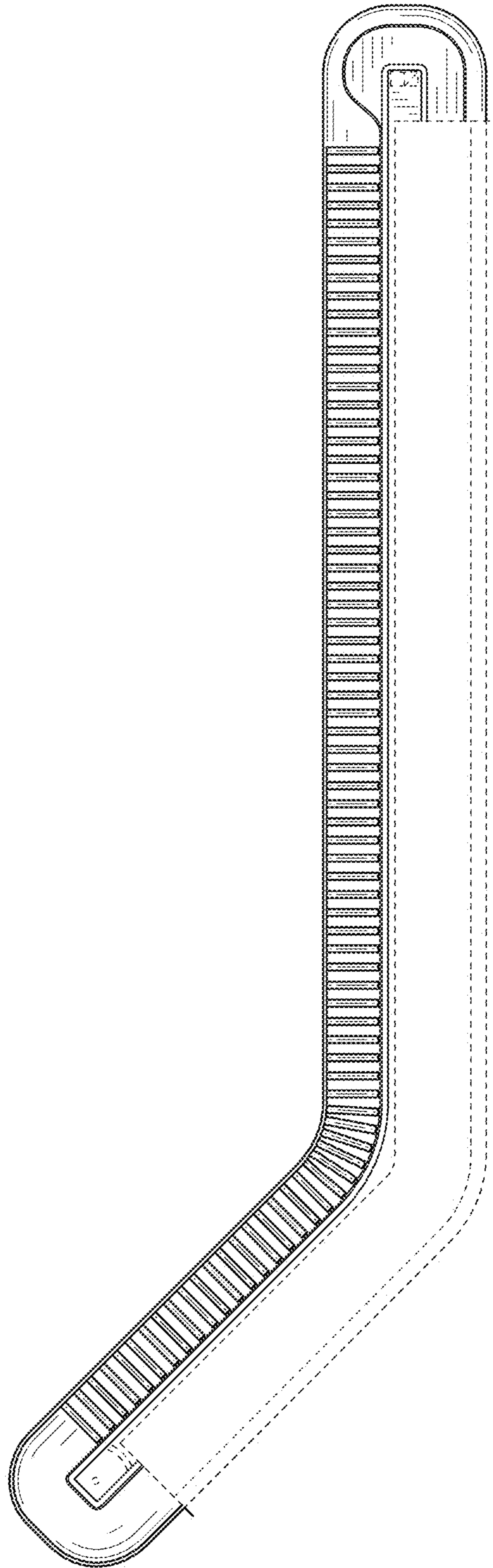


FIG. 7

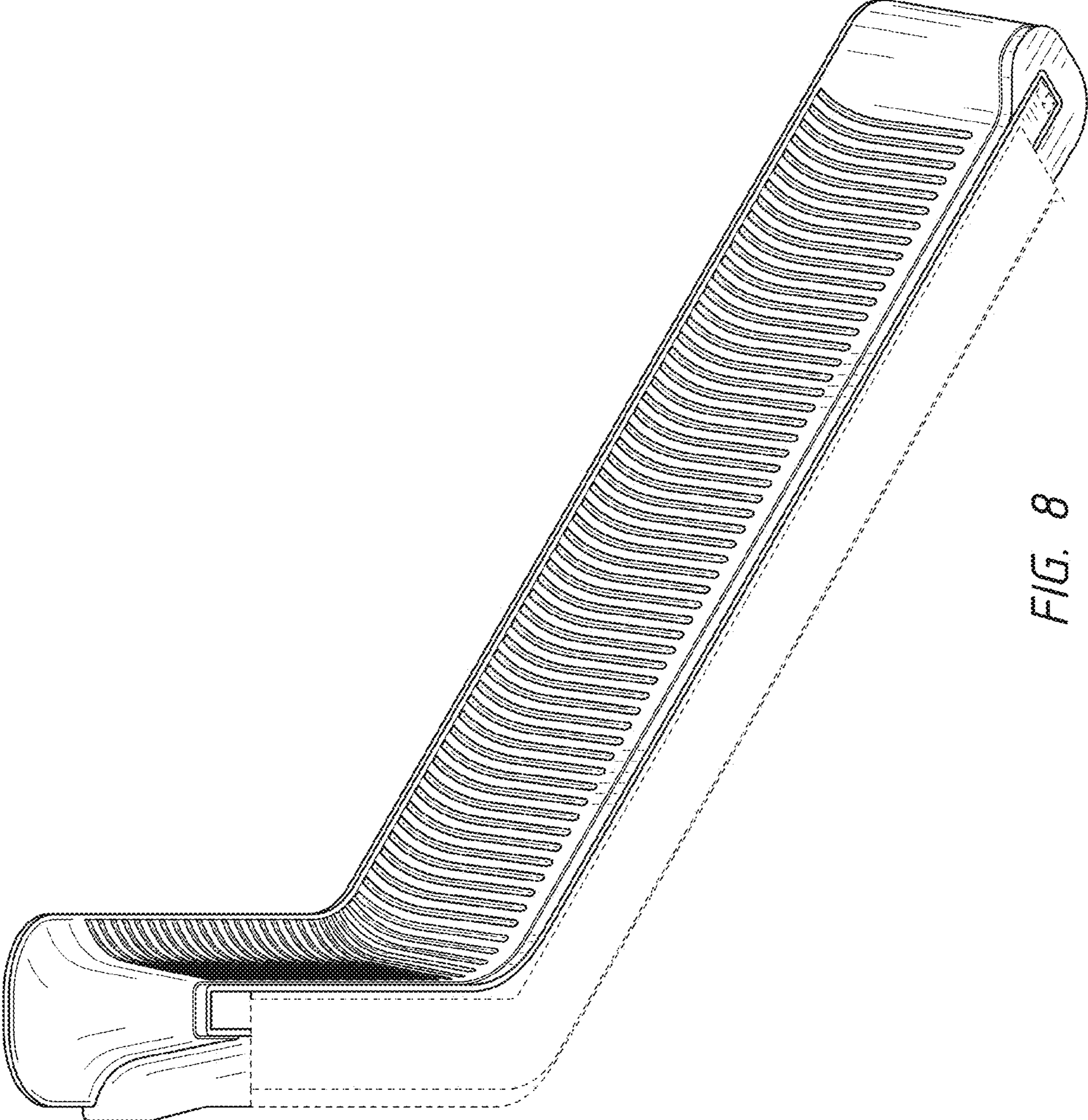


FIG. 8