



US00D901217S

(12) **United States Design Patent** (10) **Patent No.:** **US D901,217 S**
Li (45) **Date of Patent:** **** Nov. 10, 2020**

(54) **GUITAR HANGING RACK**
(71) Applicant: **SHENZHEN HUARUIYI TECHNOLOGY CO., LTD.**, Shenzhen (CN)
(72) Inventor: **Hongchao Li**, Shenzhen (CN)
(73) Assignee: **SHENZHEN HUARUIYI TECHNOLOGY CO., LTD.**, Shenzhen (CN)

D256,746 S * 9/1980 Loveson D6/574
D281,041 S * 10/1985 Plaut D6/553
D294,442 S * 3/1988 Bordian D6/528
D314,115 S * 1/1991 Murphy D6/572
D375,646 S * 11/1996 Stewart D6/552
D407,248 S * 3/1999 Scholpp D6/523
D553,408 S * 10/2007 Kubota D6/553
D592,436 S * 5/2009 Thompson D6/574
D699,058 S * 2/2014 Reid D6/682.4
D851,965 S * 6/2019 Chiang D6/672
D884,385 S * 5/2020 Florek D6/552

(**) Term: **15 Years**
(21) Appl. No.: **29/740,668**
(22) Filed: **Jul. 6, 2020**
(51) **LOC (12) Cl.** **06-06**
(52) **U.S. Cl.**
USPC **D6/682.4**
(58) **Field of Classification Search**
USPC D6/320, 327, 672, 673, 678, 682, 682.3, D6/682.4, 513, 552, 567, 574
CPC A47B 81/00; A47B 47/00; A47B 47/04; A47B 97/00; A47B 96/00; A47B 96/021; A47B 57/00; A47B 81/005; G10G 5/005; G10G 5/00
See application file for complete search history.

OTHER PUBLICATIONS

“MyGift Vintage Gray Wood Wall Mounted Acoustic Guitar Hanging Rack with Pick Holder, Set of 2”, Retrieved Jul. 3, 2020]. Retrieved from Internet, <https://www.amazon.com/MyGift-Vintage-Mounted-Acoustic-Hanging/dp/B07Z5HWCNR/ref>.

* cited by examiner

Primary Examiner — Kelley A Donnelly

(57) **CLAIM**

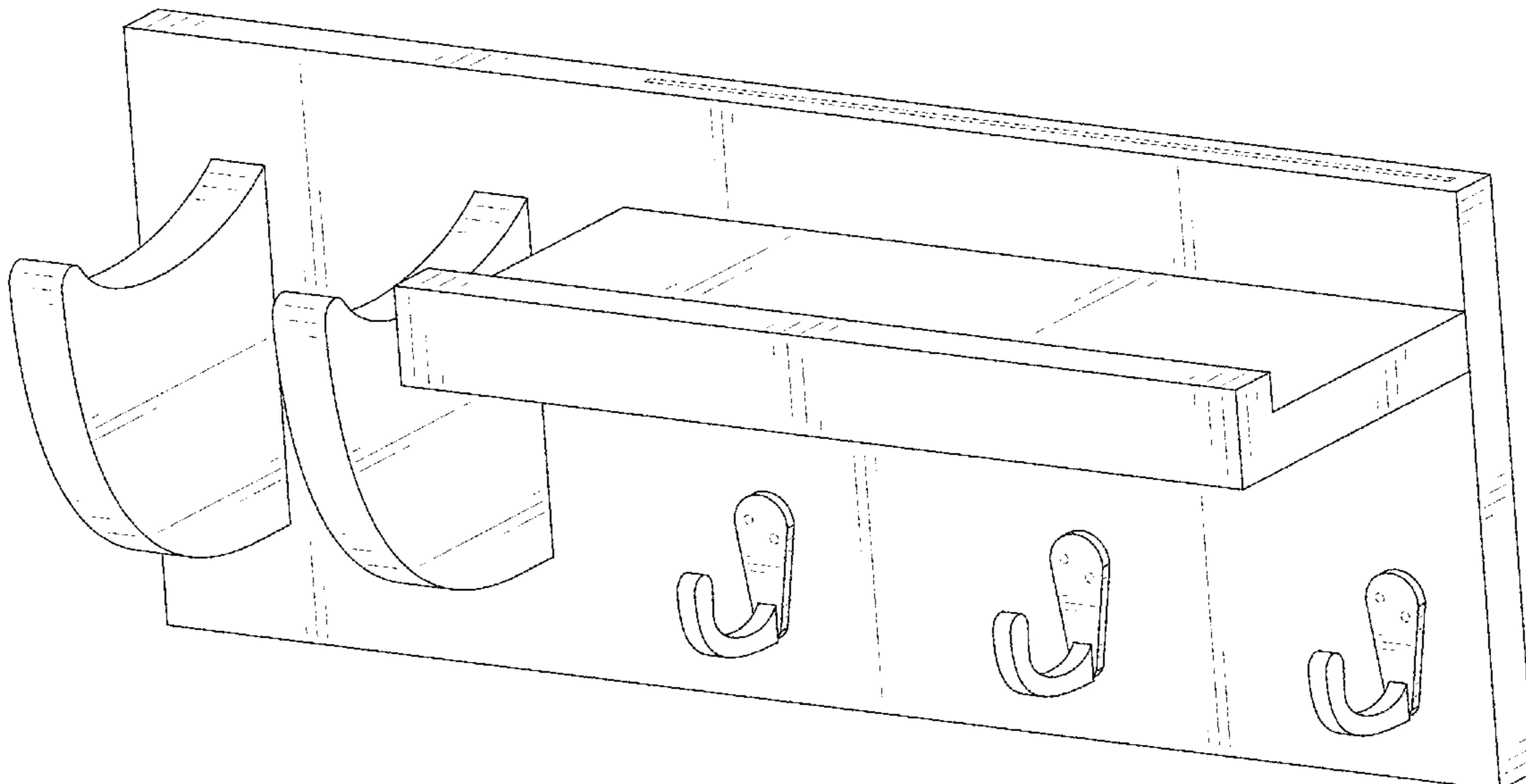
The ornamental design for a guitar hanging rack, as shown and described.

DESCRIPTION

FIG. 1 is a perspective view of a guitar hanging rack showing my new design;
FIG. 2 is another perspective view thereof;
FIG. 3 is another perspective view thereof;
FIG. 4 is a front elevational view thereof
FIG. 5 is a rear elevational view thereof;
FIG. 6 is a left side elevational view thereof;
FIG. 7 is a right side elevational view thereof;
FIG. 8 is a top plan view thereof; and,
FIG. 9 is a bottom plan view thereof
The broken lines in the drawings depict portions of the guitar hanging rack that form no part of the claimed design.

1 Claim, 9 Drawing Sheets

(56) **References Cited**
U.S. PATENT DOCUMENTS
560,923 A * 5/1896 Peter E05B 69/006 211/8
797,614 A * 8/1905 Schipkowsky A47F 5/103 211/106.01
D146,280 S * 1/1947 Goddard D6/574
D160,632 S * 10/1950 Klepper D6/572
3,503,462 A * 3/1970 Baher G01G 3/02 177/144
D251,223 S * 3/1979 Burge D6/320
D255,734 S * 7/1980 Liebman D6/572



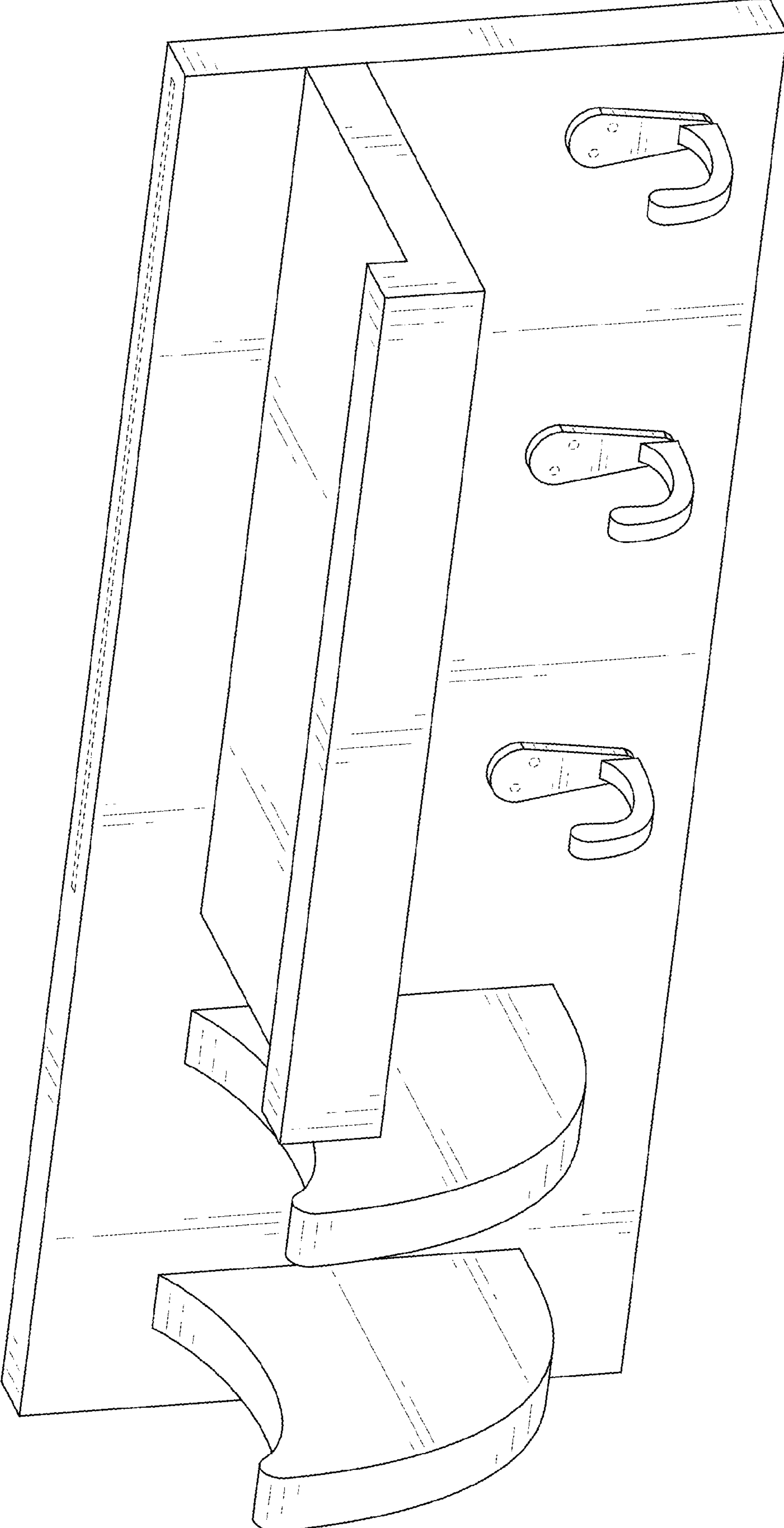


FIG. 1

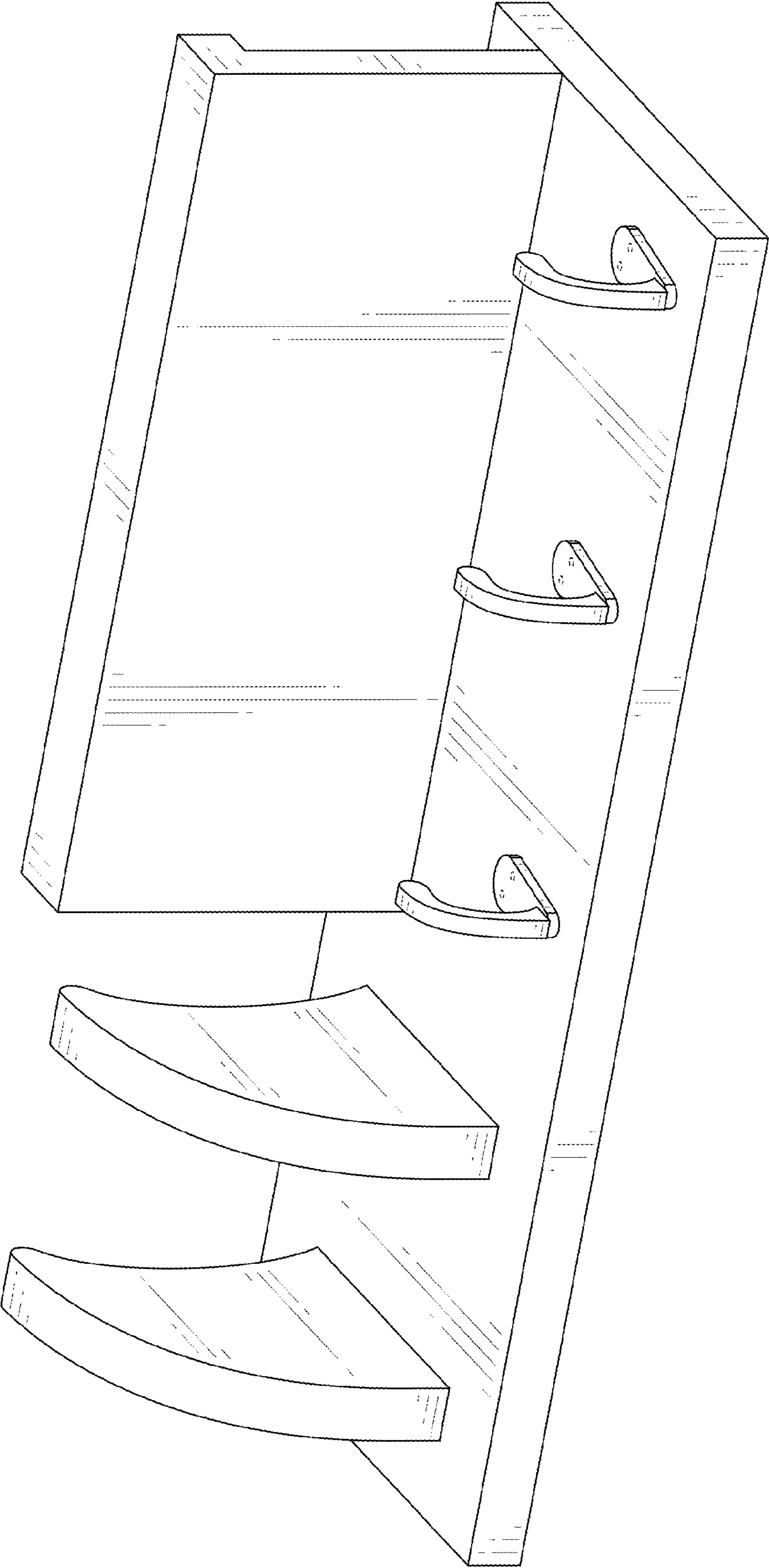


FIG. 2

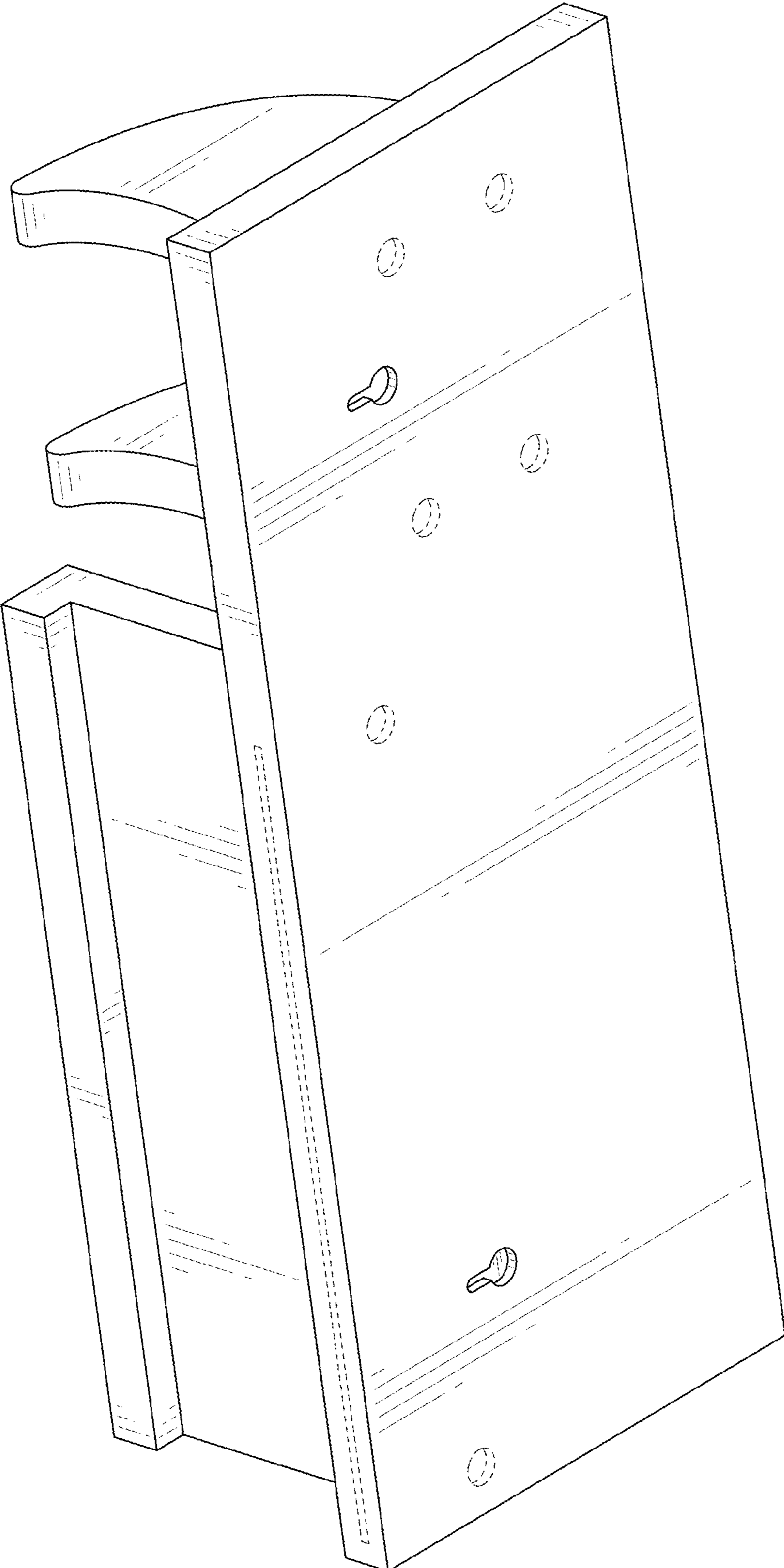


FIG. 3

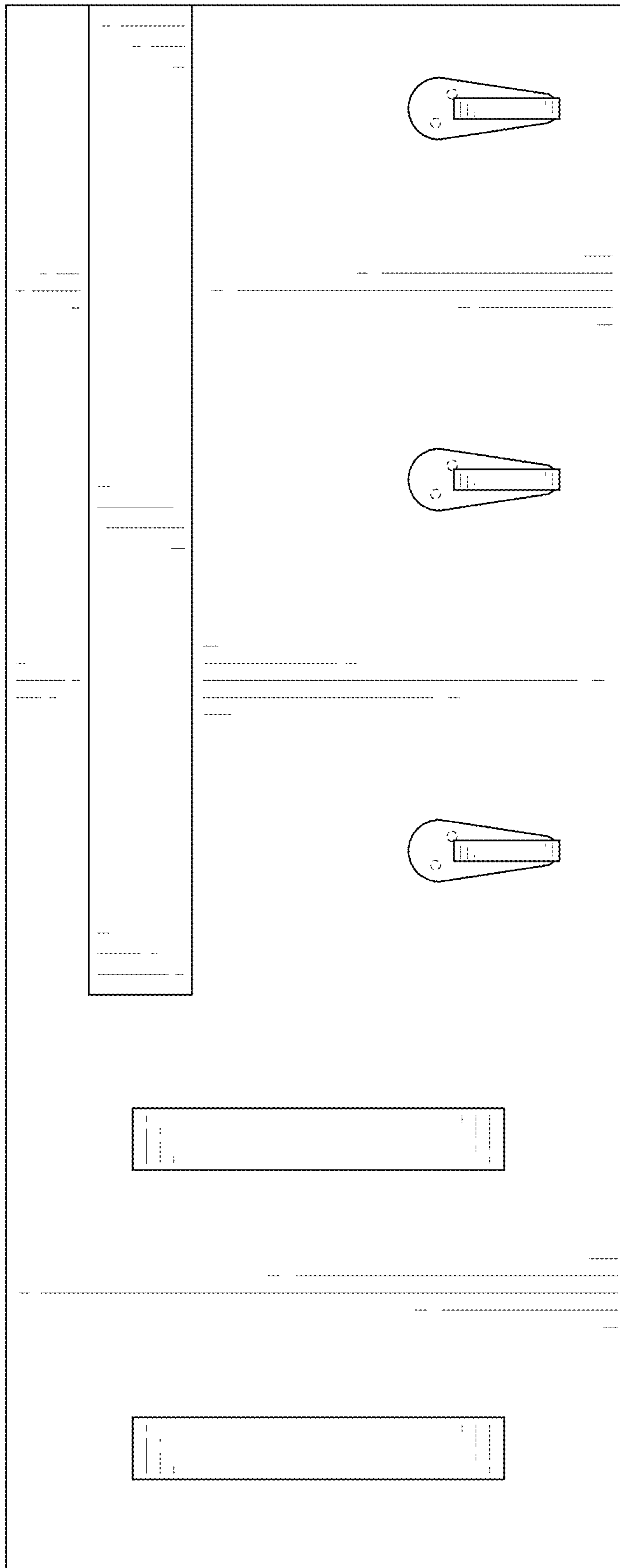


FIG. 4

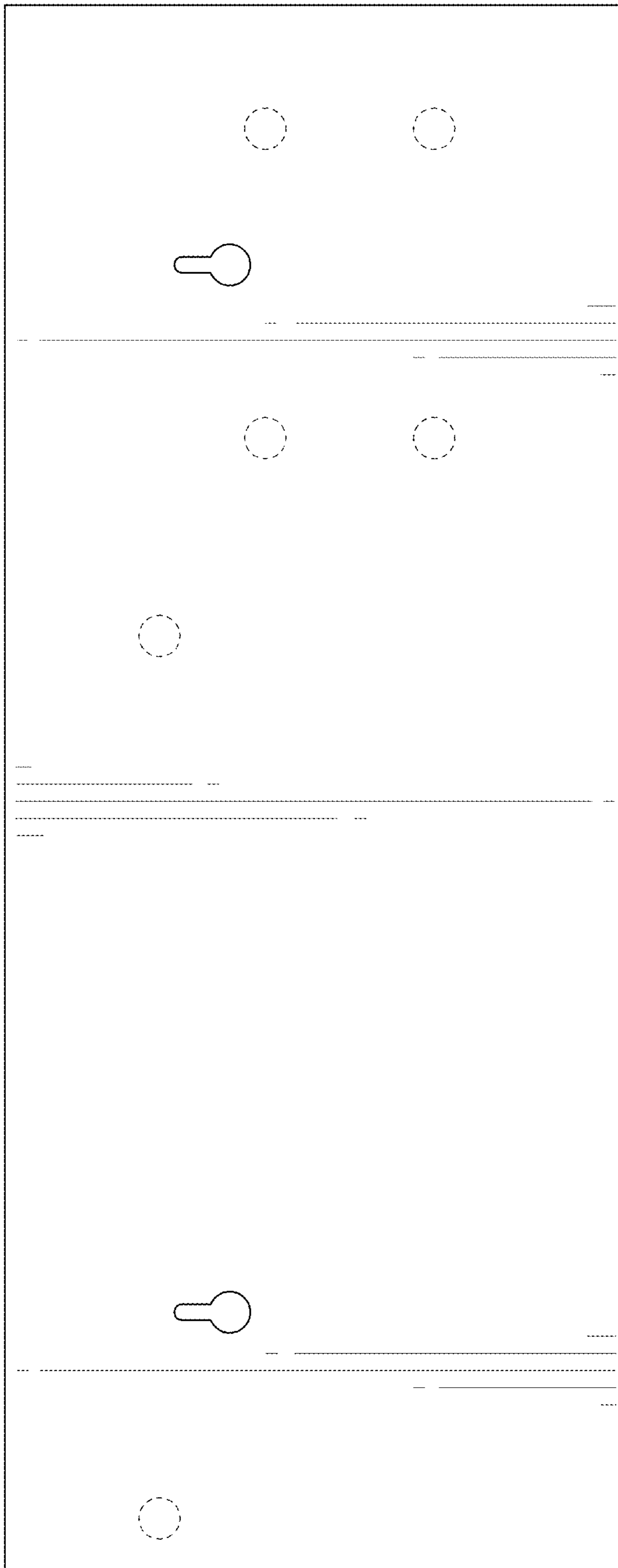


FIG. 5

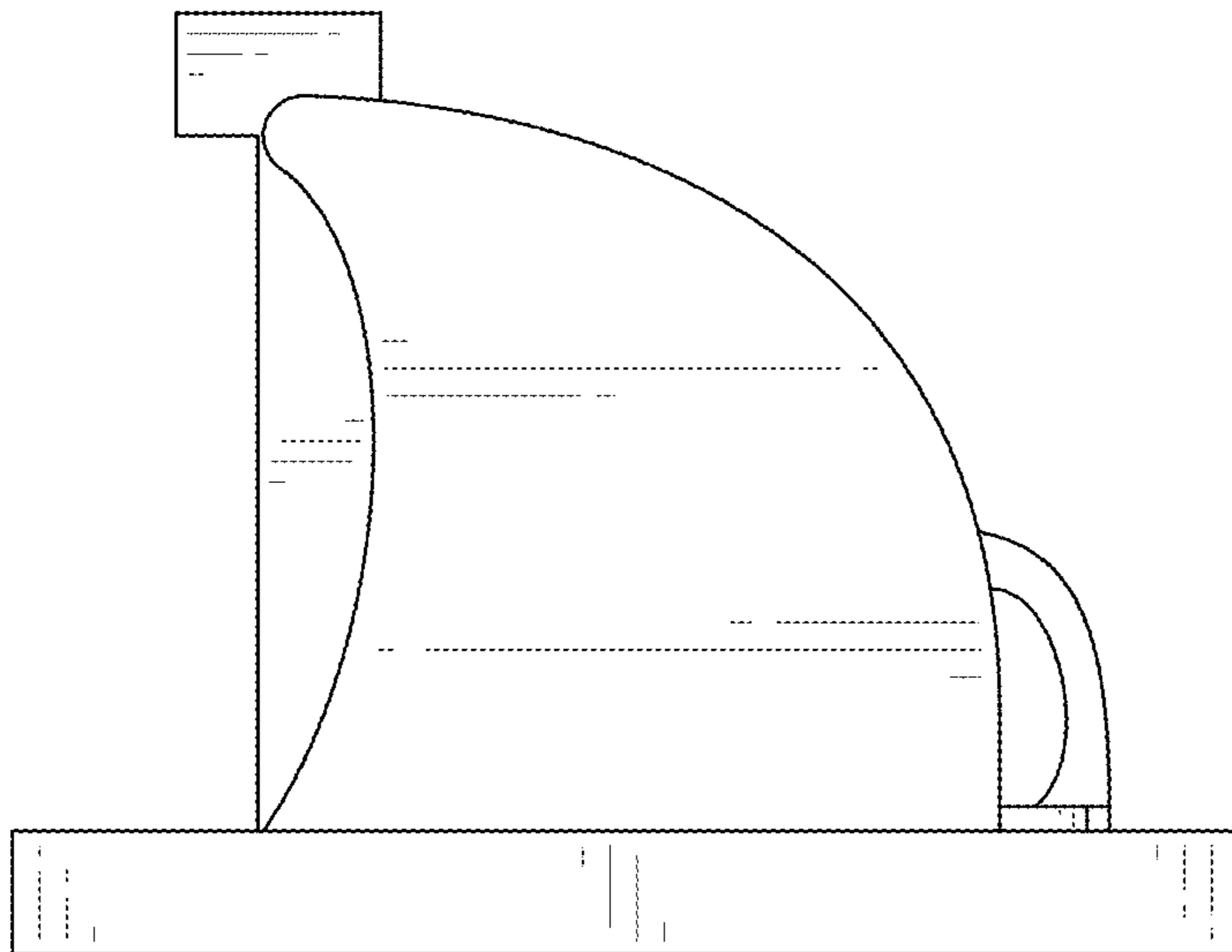


FIG. 6

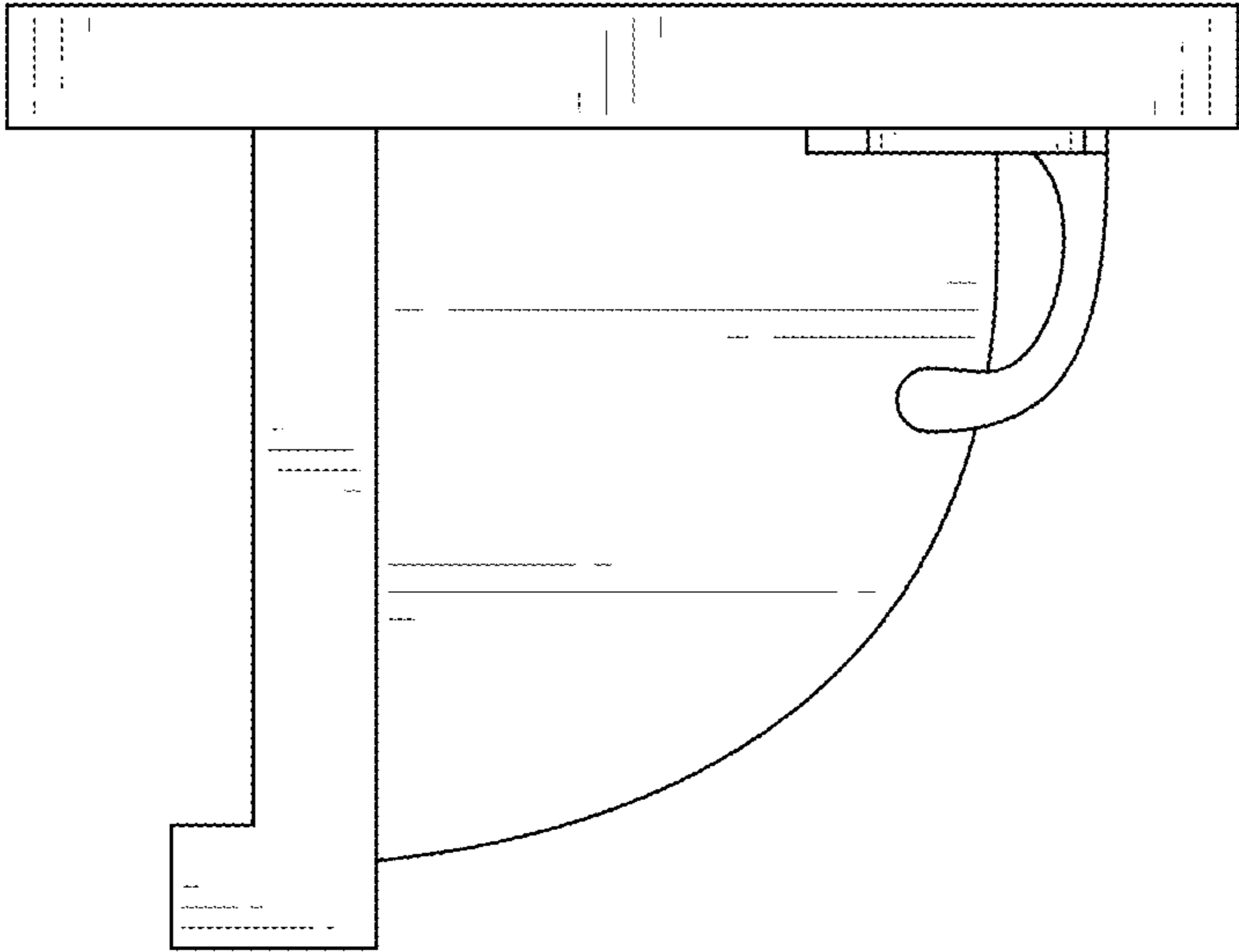


FIG. 7

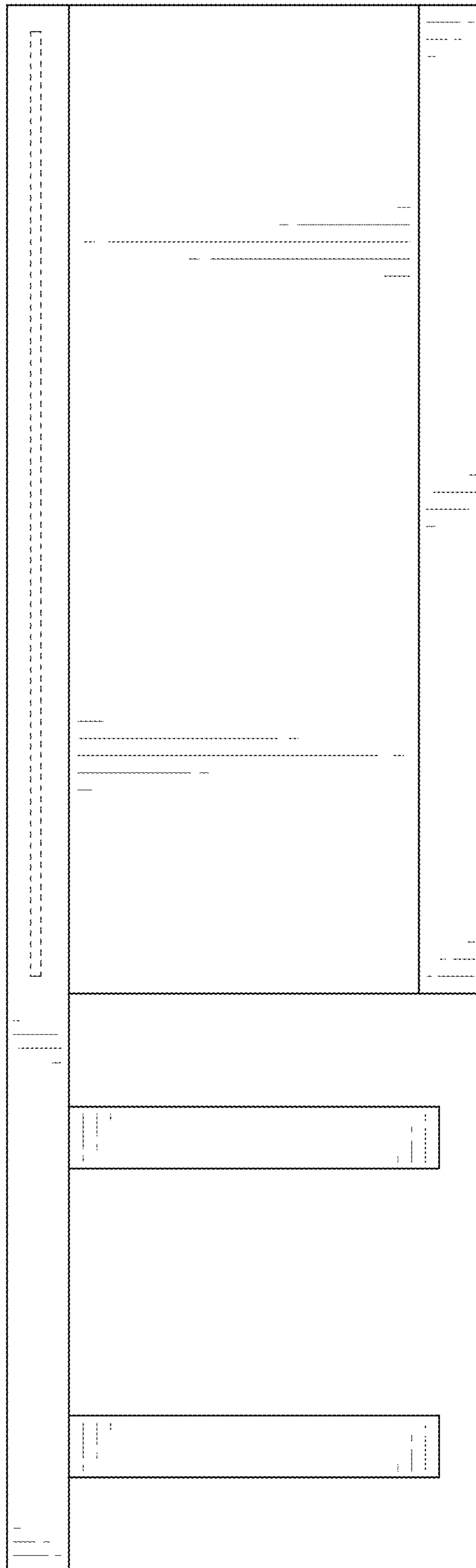


FIG. 8

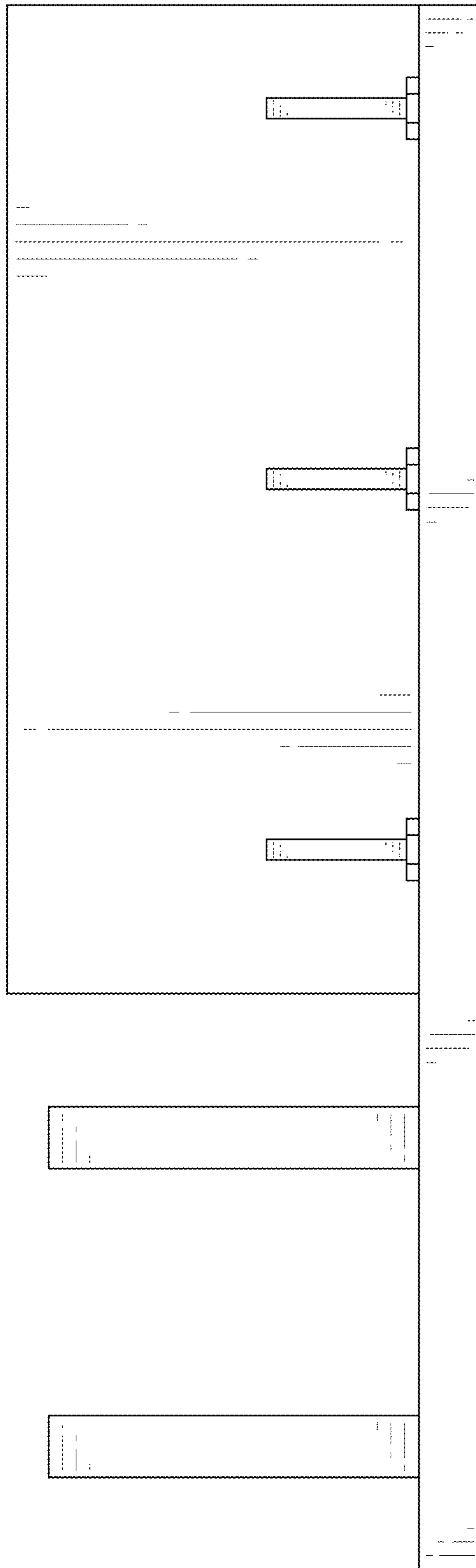


FIG. 9