



US00D901215S

(12) **United States Design Patent** (10) **Patent No.:** **US D901,215 S**
Starling et al. (45) **Date of Patent:** **** Nov. 10, 2020**

(54) **SHELF DISPENSING UNIT**
(71) Applicants: **Eric Starling**, West Chester, OH (US);
Robert Charles Best, Cincinnati, OH
(US); **Matthew D. Bell**, Cincinnati, OH
(US)

D598,674 S * 8/2009 Frank D6/675.1
D617,361 S * 6/2010 Simonsen D16/225
D620,284 S * 7/2010 Zambelli D6/675.1
D781,080 S * 3/2017 Jordan D6/675.1
D795,616 S * 8/2017 Muller D6/695
D834,860 S * 12/2018 McKenna D6/694
D880,471 S * 4/2020 Yoo D14/253

(72) Inventors: **Eric Starling**, West Chester, OH (US);
Robert Charles Best, Cincinnati, OH
(US); **Matthew D. Bell**, Cincinnati, OH
(US)

OTHER PUBLICATIONS

Design U.S. Appl. No. 29/676,491, filed Jan. 11, 2019, entitled Shelf
Dispensing Unit, Inventors: Bell, Matthew D., et al.
Design U.S. Appl. 29/676,492, filed Jan. 11, 2019, entitled Shelf
Dispensing Unit, Inventors: Yim, Andrew Hong-jae, et al.
Design U.S. Appl. 29/676,493, filed Jan. 11, 2019, entitled Shelf
Dispensing Unit, Inventors: Bell, Matthew D., et al.

(73) Assignee: **APEX INDUSTRIAL
TECHNOLOGIES LLC**, Mason, OH
(US)

* cited by examiner

(**) Term: **15 Years**

Primary Examiner — Kelley A Donnelly

(21) Appl. No.: **29/691,664**

(74) *Attorney, Agent, or Firm* — Thompson Hine LLP

(22) Filed: **May 17, 2019**

(51) **LOC (12) Cl.** **06-06**

(52) **U.S. Cl.**
USPC **D6/675.1**

(57) **CLAIM**

The ornamental design for shelf dispensing unit, as shown
and described.

(58) **Field of Classification Search**
USPC D6/672–673, 675–675.1; D34/12, 14, 17,
D34/21, 23, 26
CPC A47B 63/04; A47B 57/00; A47B 61/02
See application file for complete search history.

DESCRIPTION

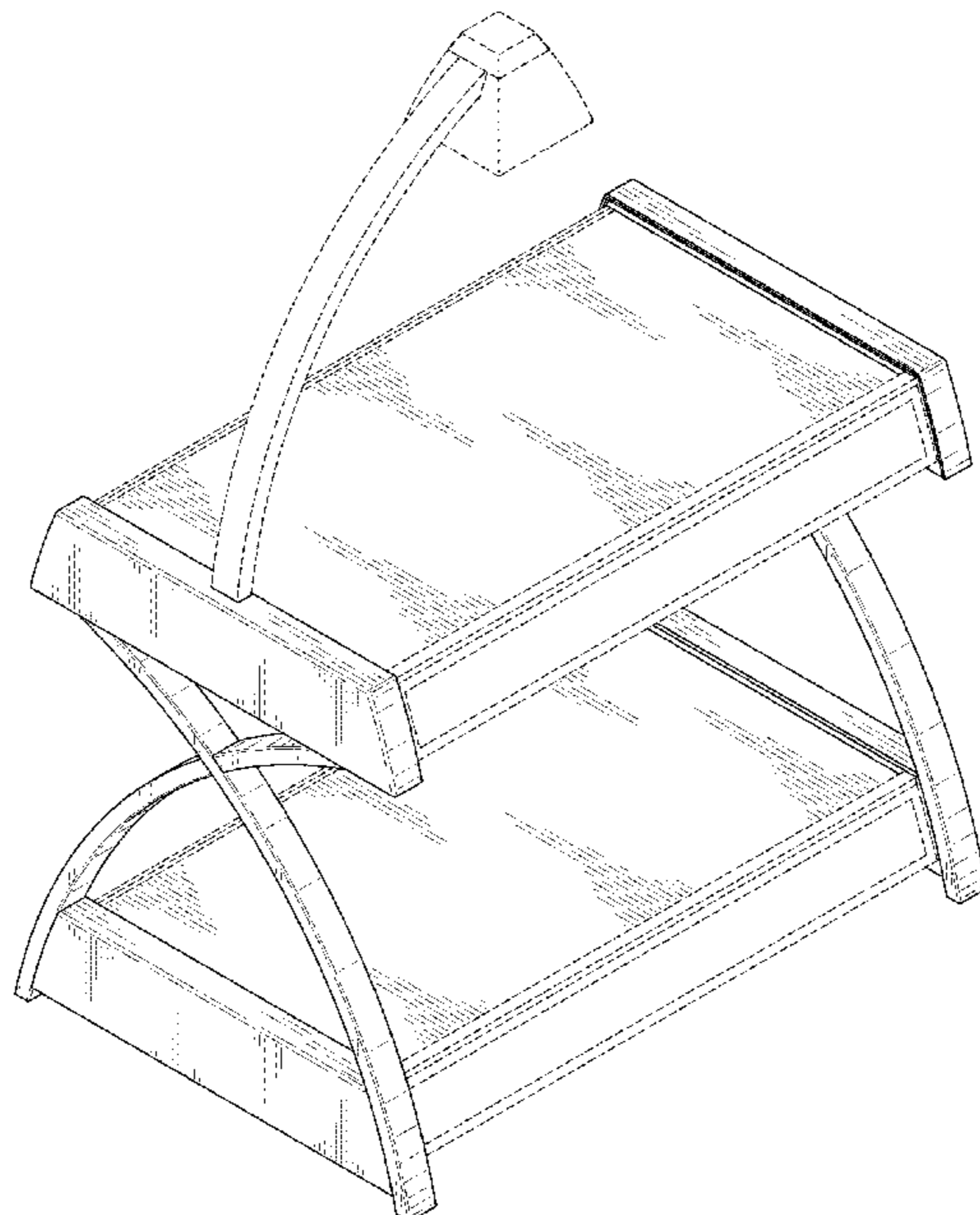
FIG. 1 is a perspective view of a first embodiment of the
design;
FIG. 2 is a front view of the design of FIG. 1;
FIG. 3 is a back view of the design of FIG. 1;
FIG. 4 is a first side view of the design of FIG. 1;
FIG. 5 is a second side view of the design of FIG. 1; and,
FIG. 6 is a top view of the design of FIG. 1.
In the drawings, the broken lines depict environmental
subject matter only and form no part of the claimed design.

(56) **References Cited**

U.S. PATENT DOCUMENTS

D292,255 S * 10/1987 Winzeler, III D6/691.8
D361,228 S * 8/1995 Hassel D18/59
D377,128 S * 1/1997 Baker D6/675.1
D377,428 S * 1/1997 Rosseutscher D34/21
D393,513 S * 4/1998 van de Oudeweetering
D34/21
D451,306 S * 12/2001 Dow D6/675.1

1 Claim, 6 Drawing Sheets



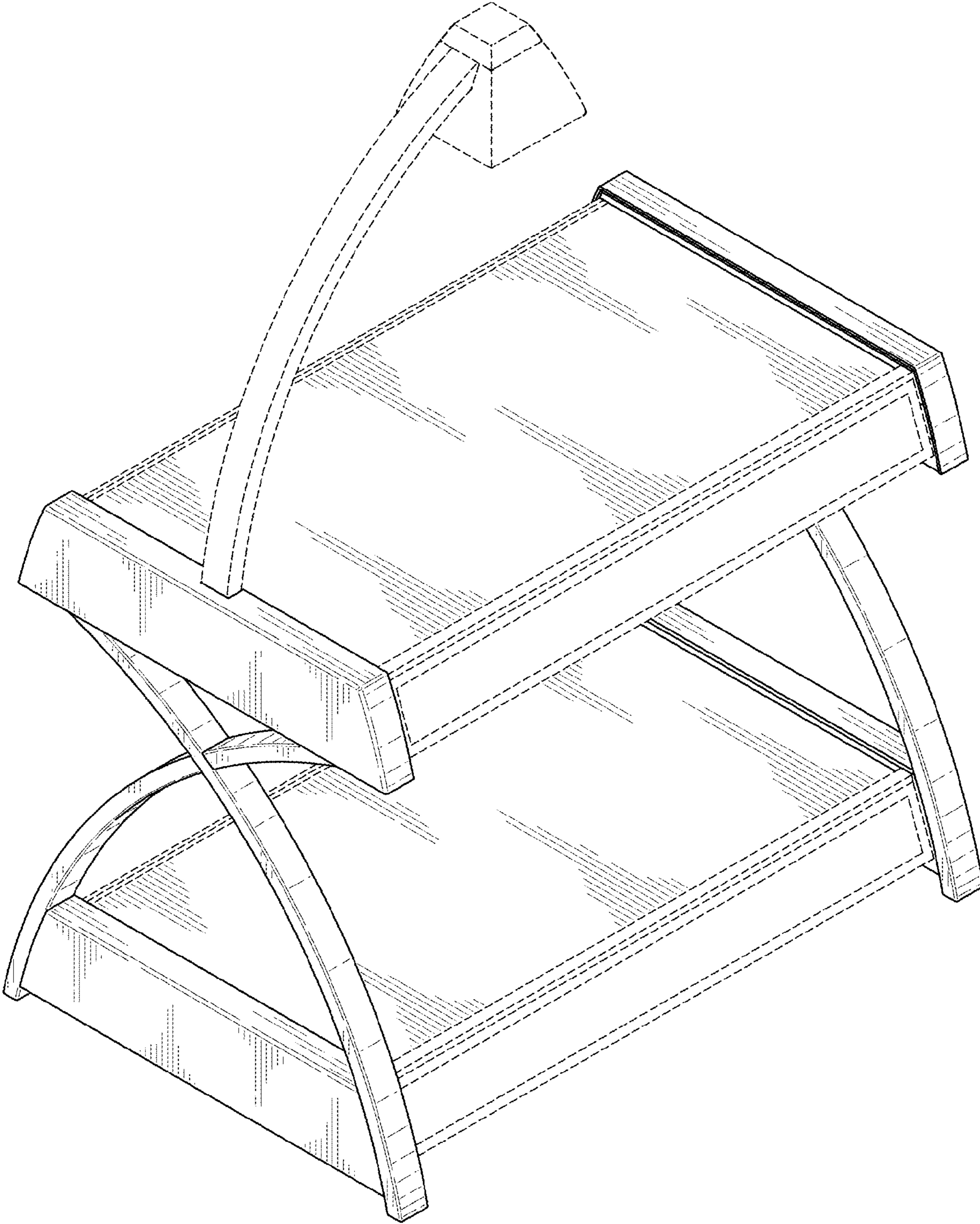


FIG. 1

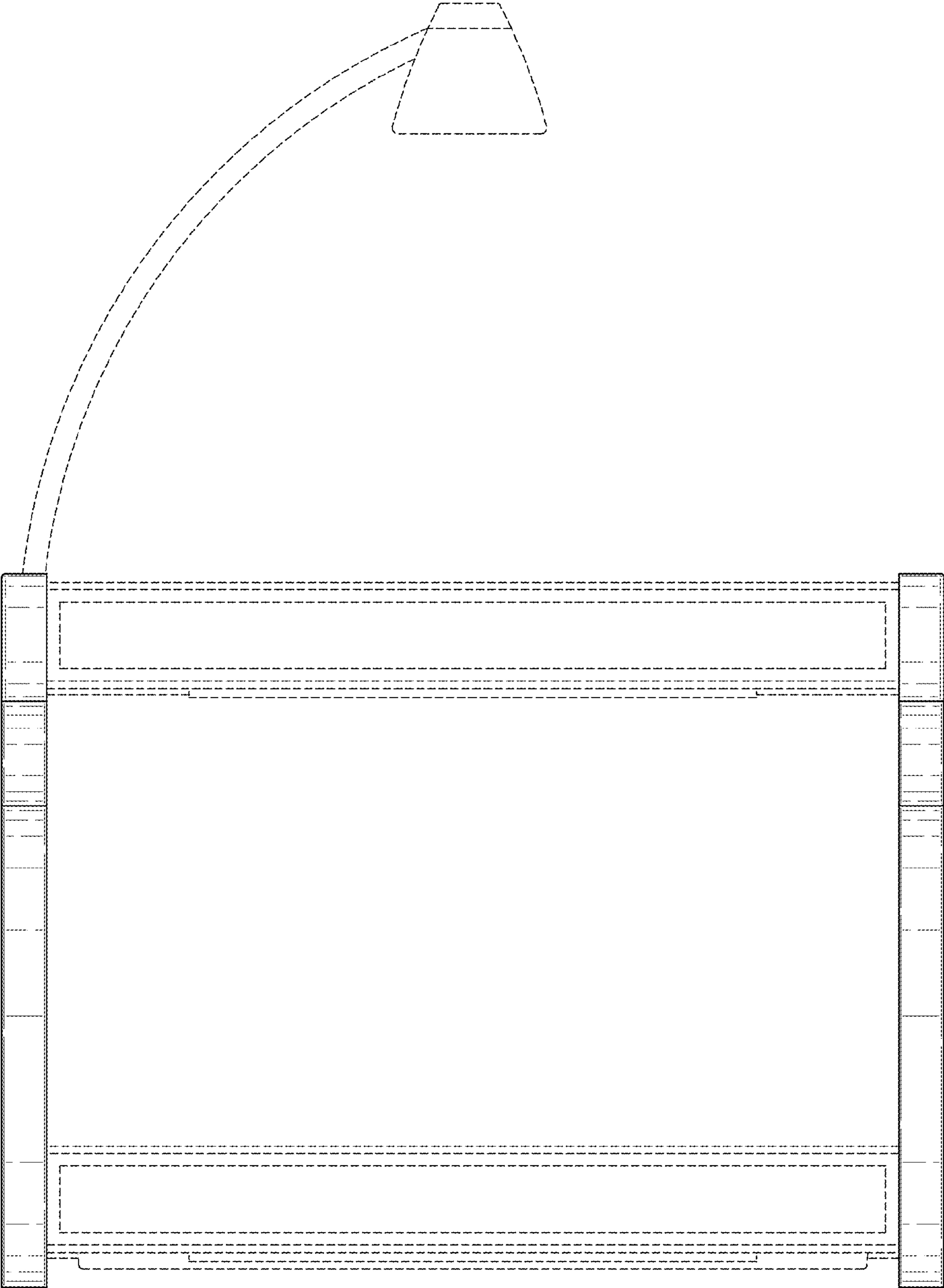


FIG. 2

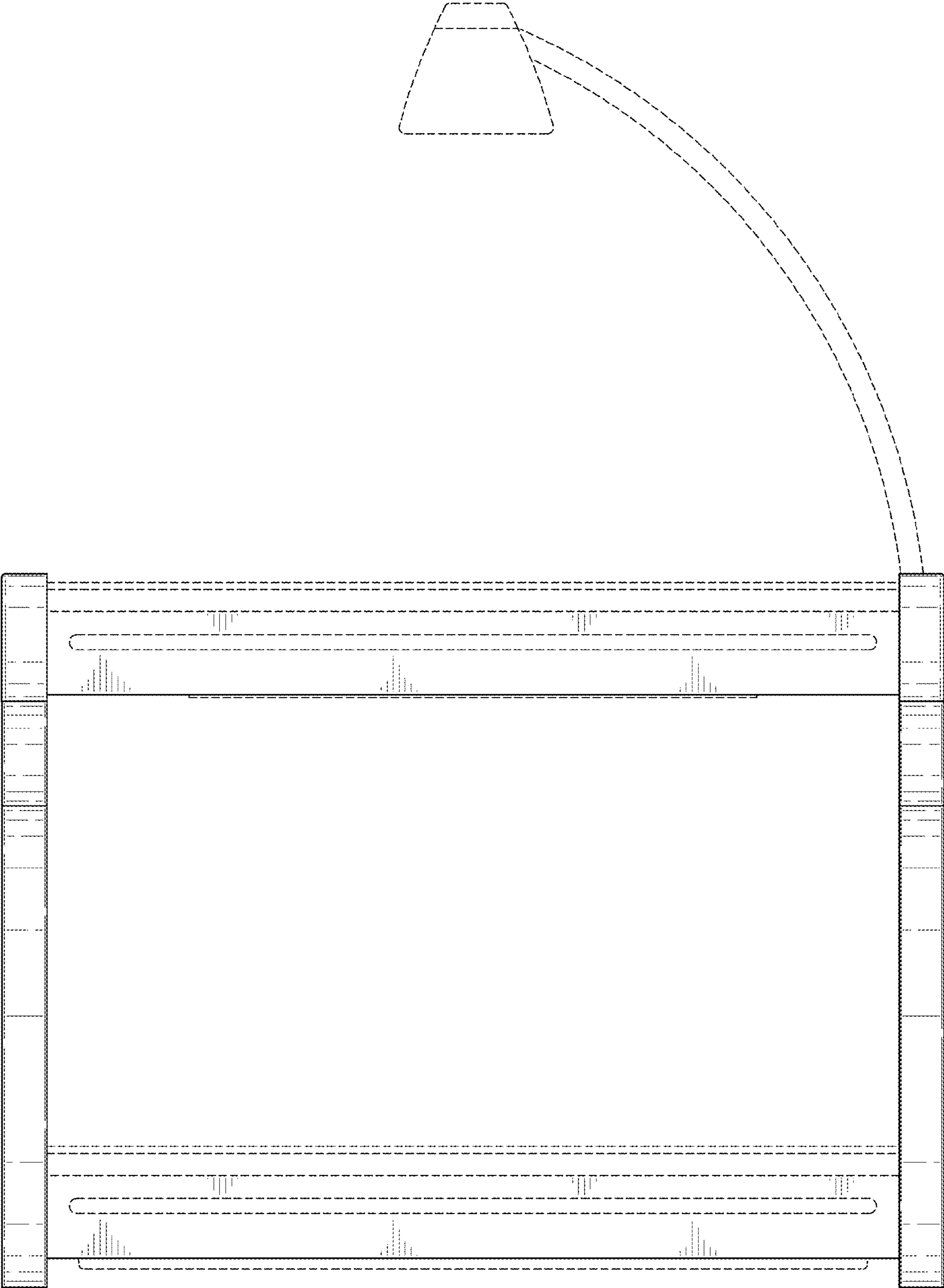


FIG. 3

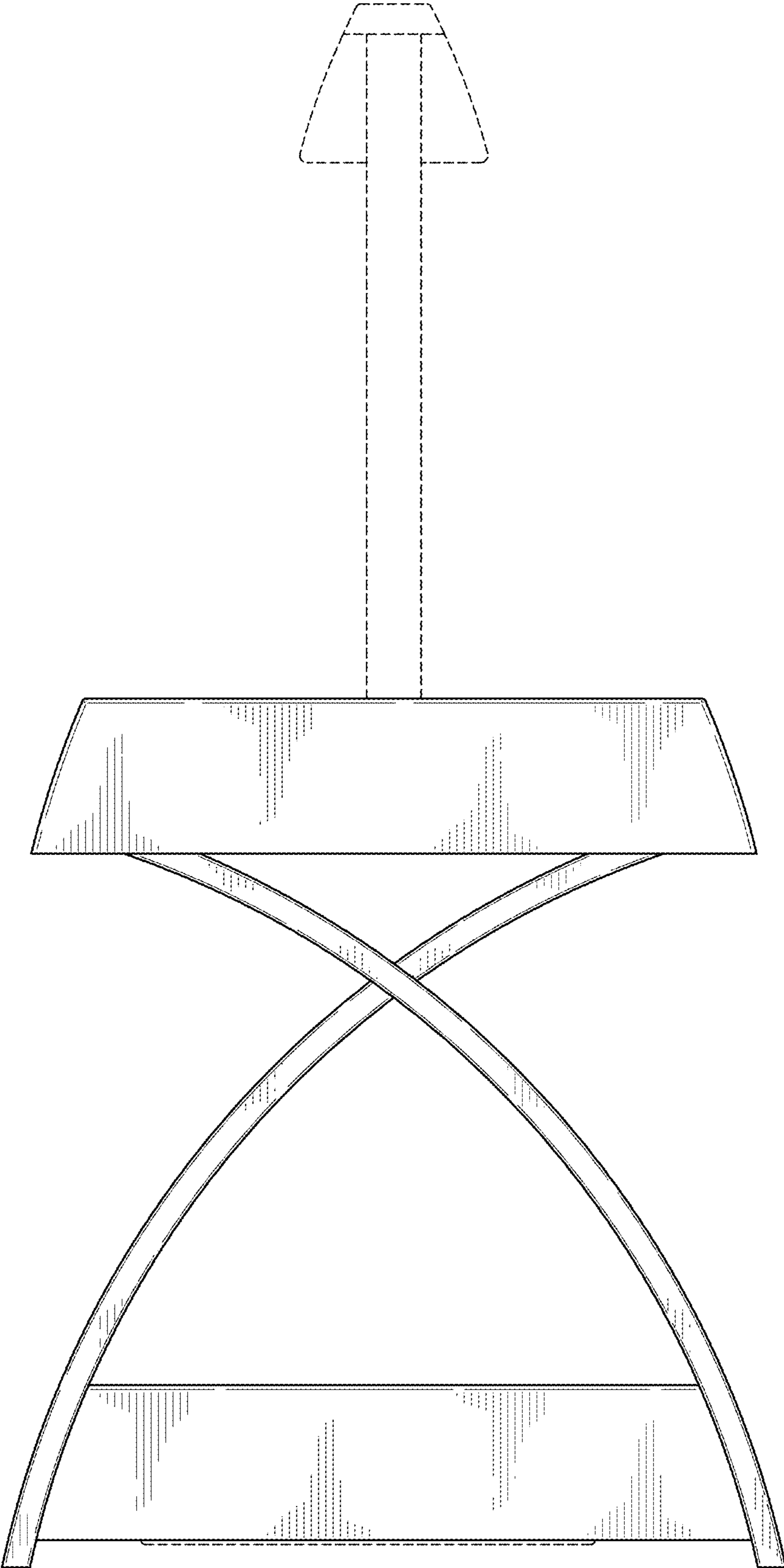


FIG. 4

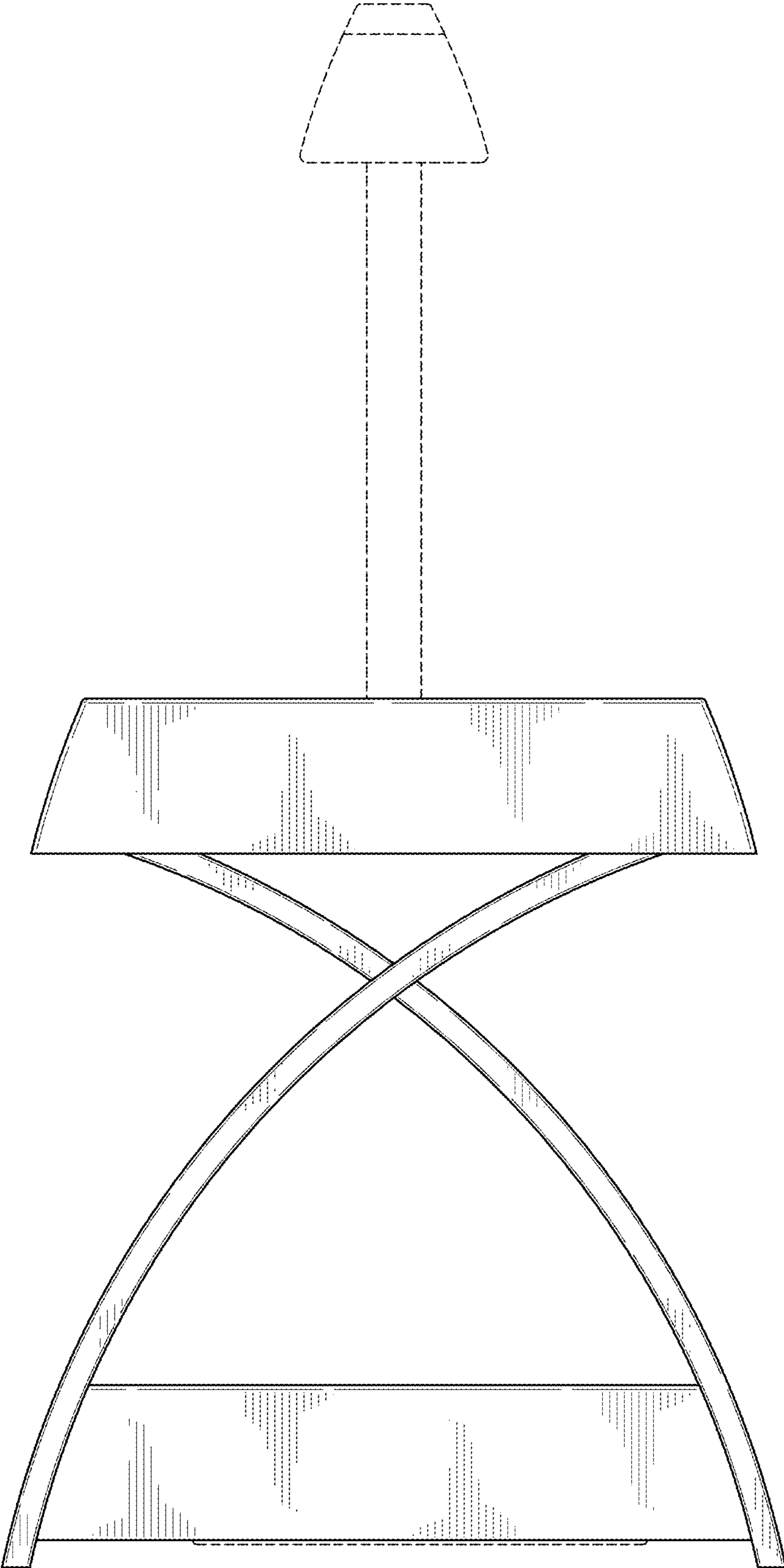


FIG. 5

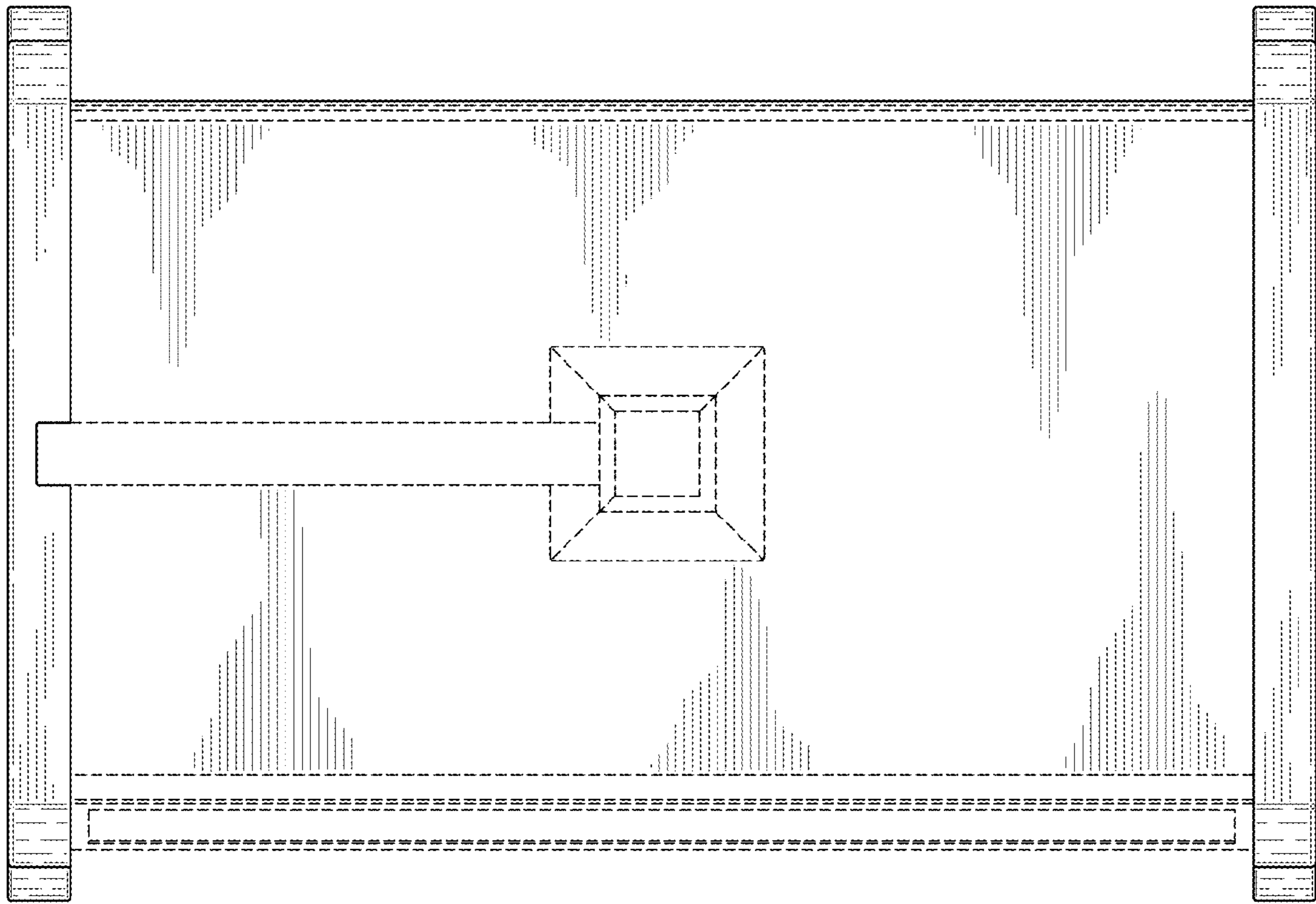


FIG. 6