



US00D901210S

(12) **United States Design Patent**
Whitted

(10) **Patent No.:** **US D901,210 S**

(45) **Date of Patent:** **** *Nov. 10, 2020**

(54) **CHILD HOLDING SLEEVE AND FEEDING COVER SET**

D773,211 S * 12/2016 Davis D6/601
D855,290 S * 8/2019 Connors D2/860
2008/0155727 A1* 7/2008 Owen A41D 1/215
2/52

(71) Applicant: **Sandra Whitted**, Homewood, IL (US)

* cited by examiner

(72) Inventor: **Sandra Whitted**, Homewood, IL (US)

Primary Examiner — Jennifer L Rempfer

(73) Assignee: **Sandra Whitted**, Homewood, IL (US)

(57) **CLAIM**

(*) Notice: This patent is subject to a terminal disclaimer.

The ornamental design for a child holding sleeve and feeding cover set, as shown and described.

DESCRIPTION

(**) Term: **15 Years**

FIG. 1 is a perspective view of a sleeve portion of a child holding sleeve and feeding cover set,
FIG. 2 is a perspective view of the sleeve portion of a child holding sleeve and feeding cover set of FIG. 1;
FIG. 3 is a top plan view of the sleeve portion of a child holding and feeding cover set of FIG. 1;
FIG. 4 is a bottom plan view of the sleeve portion of a child holding and feeding cover set of FIG. 1;
FIG. 5 is a right side elevation view of the sleeve portion of a child holding and feeding cover set of FIG. 1;
FIG. 6 is a left side elevation view of the sleeve portion of a child holding and feeding cover set of FIG. 1;
FIG. 7 is a front side elevation view of the sleeve portion of a child holding and feeding cover set of FIG. 1;
FIG. 8 is a bottom side elevation view of the sleeve portion of a child holding and feeding cover set of FIG. 1; and,
FIG. 9 is a perspective view of the sleeve portion attached to the blanket cover portion of the child holding sleeve and feeding cover set.

(21) Appl. No.: **29/604,642**

(22) Filed: **May 18, 2017**

(51) **LOC (12) Cl.** **06-09**

(52) **U.S. Cl.**
USPC **D6/596**

(58) **Field of Classification Search**
USPC D6/582-583, 587-592, 595-609,
D6/617-622; D21/803-809; D24/183
CPC . A47D 7/00; A47D 9/00; A47D 13/00; A47D
15/00; A61G 13/00; B60N 2/80
See application file for complete search history.

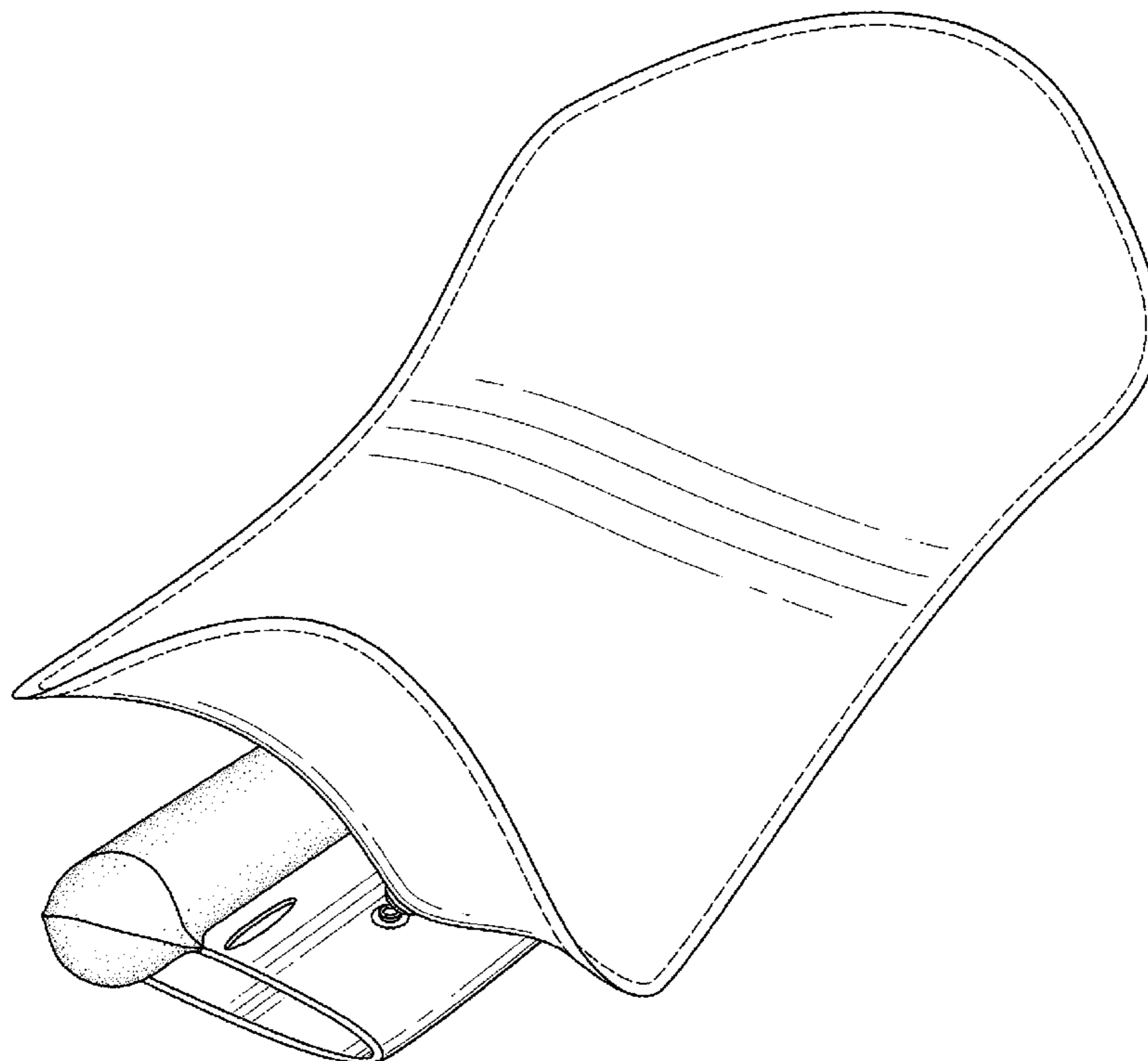
The broken line shown in FIG. 9 forms no part of the claimed design.

(56) **References Cited**

U.S. PATENT DOCUMENTS

4,697,287 A * 10/1987 Rose A41D 1/215
2/48
D578,818 S * 10/2008 Margalit D6/601
D579,256 S * 10/2008 Alfieri D6/601

1 Claim, 5 Drawing Sheets



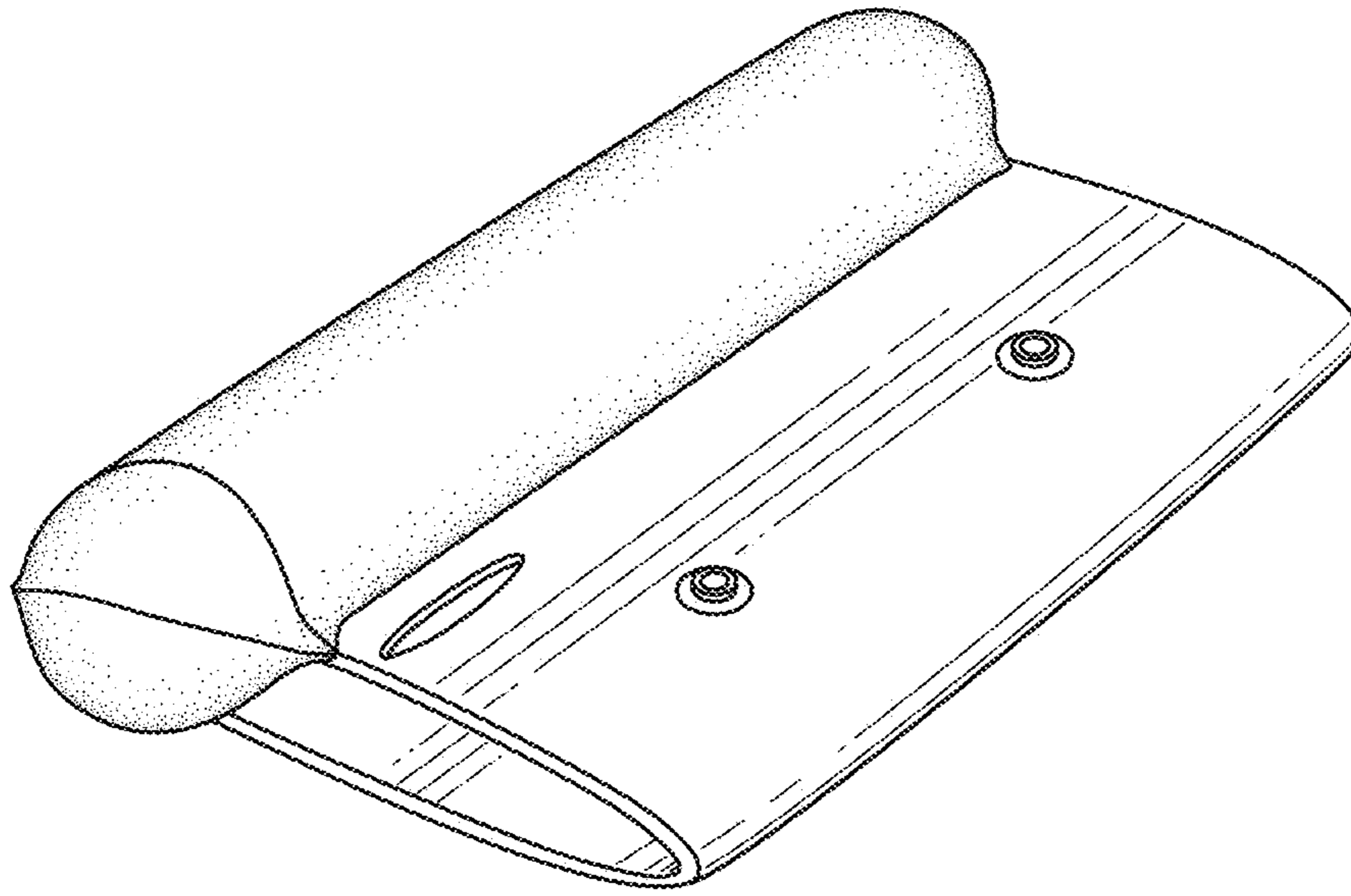


FIG. 1

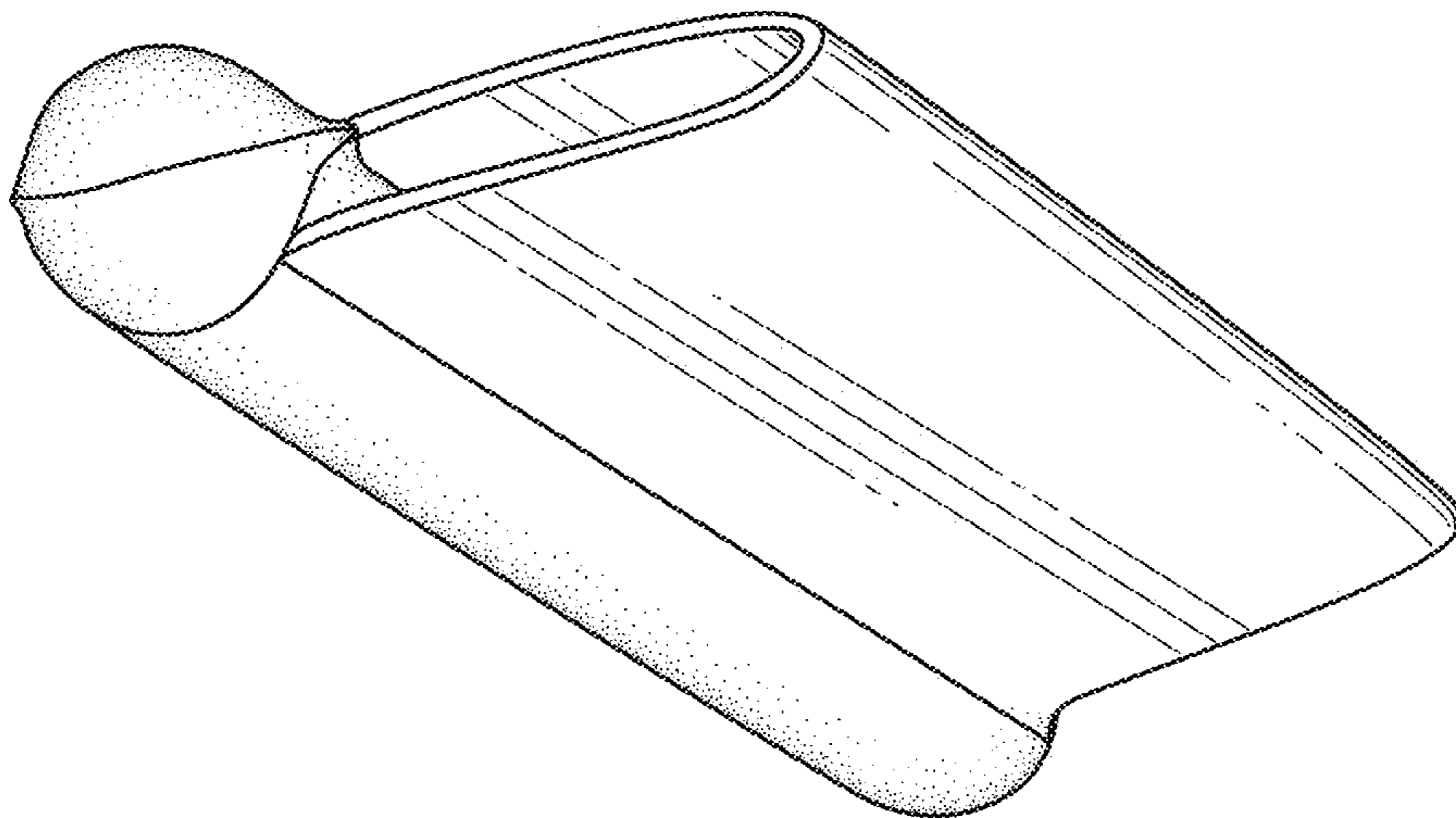


FIG. 2

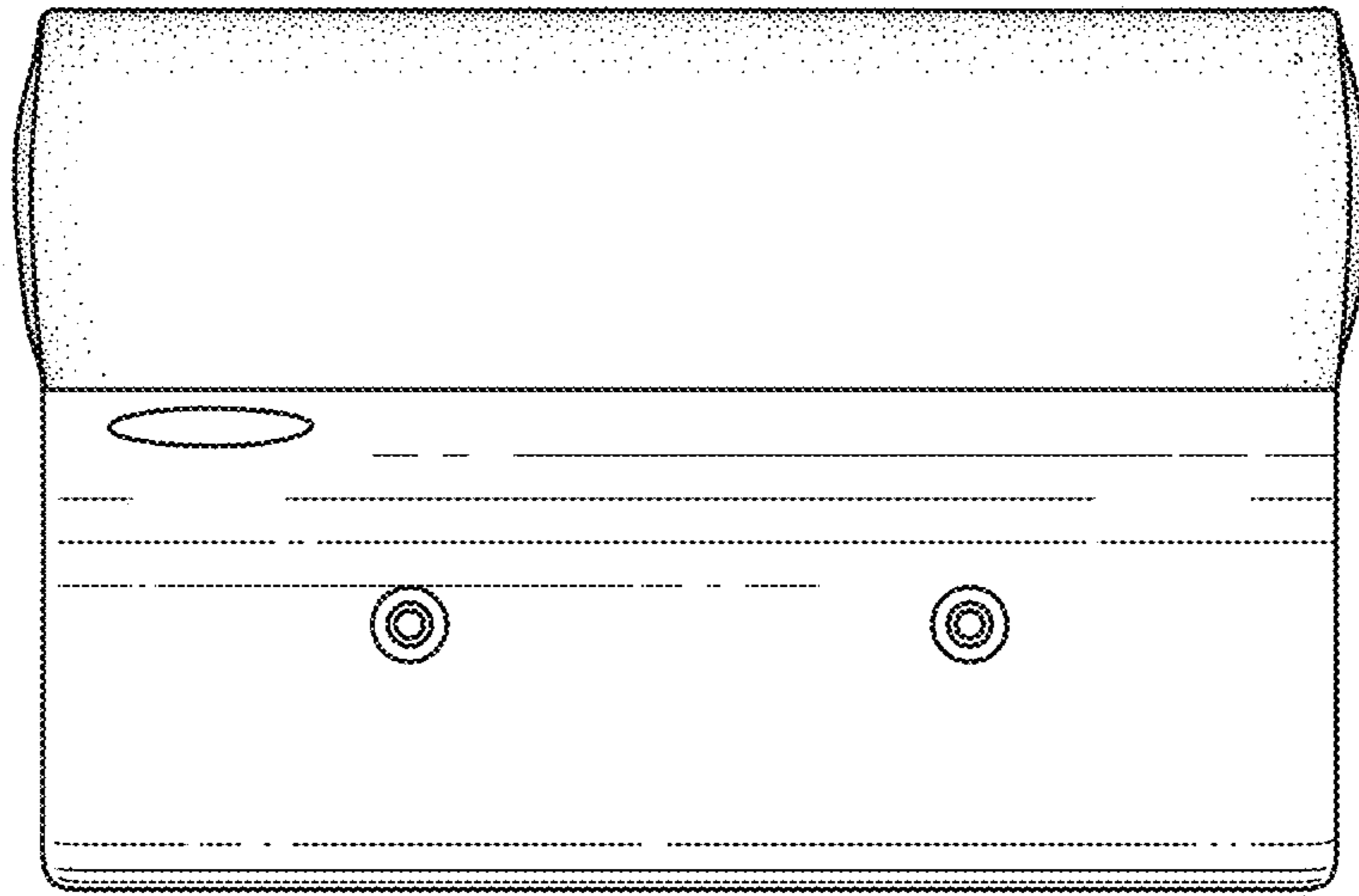


FIG. 3

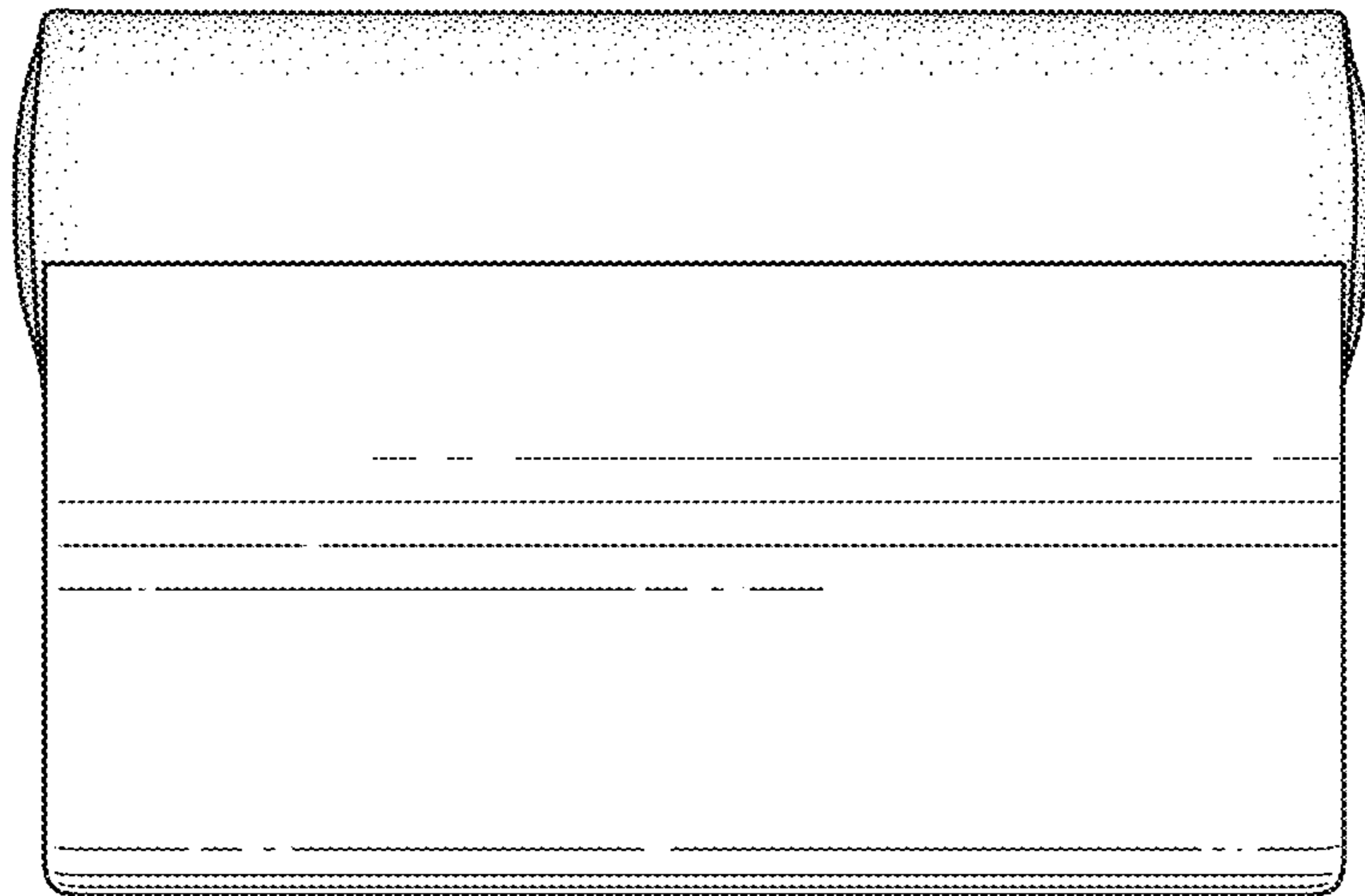


FIG. 4

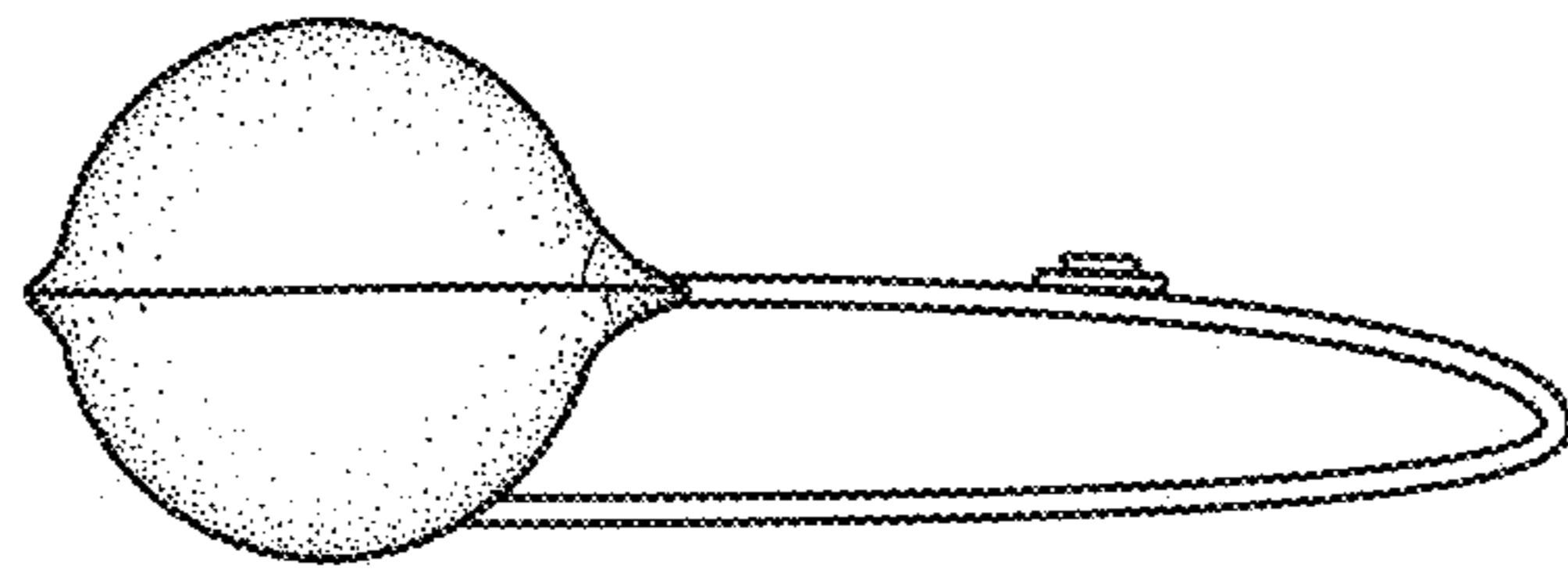


FIG. 5

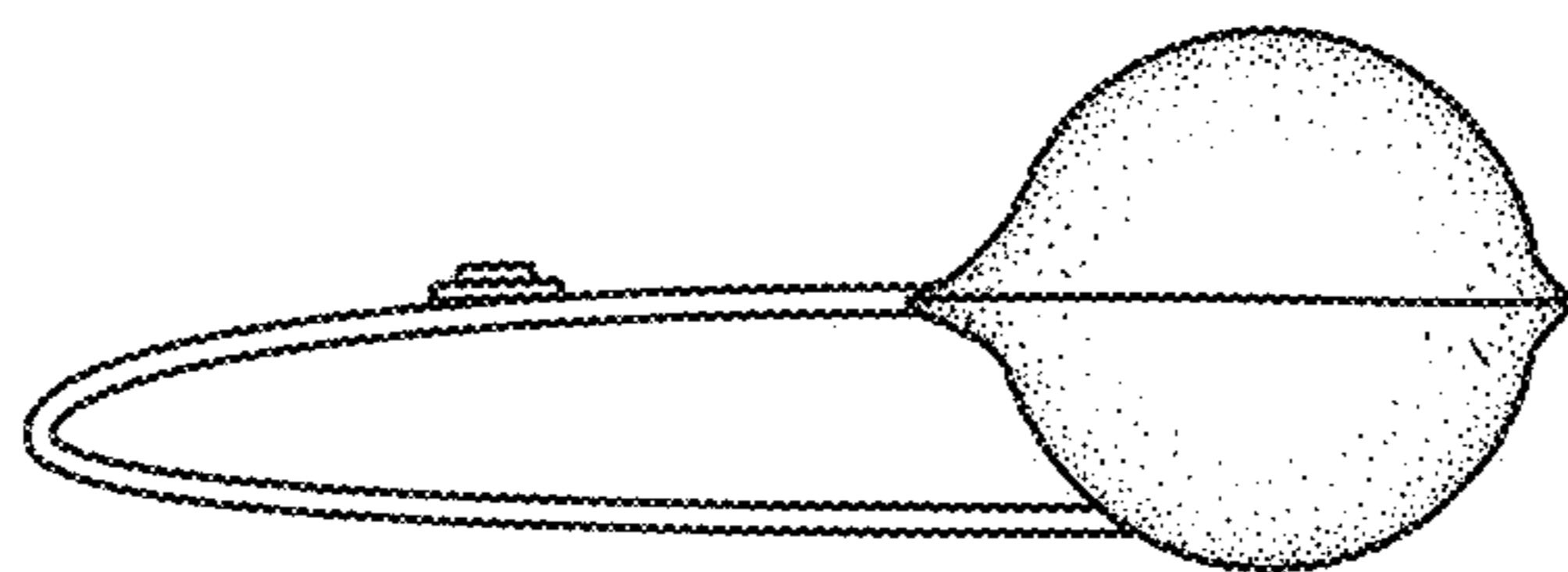


FIG. 6

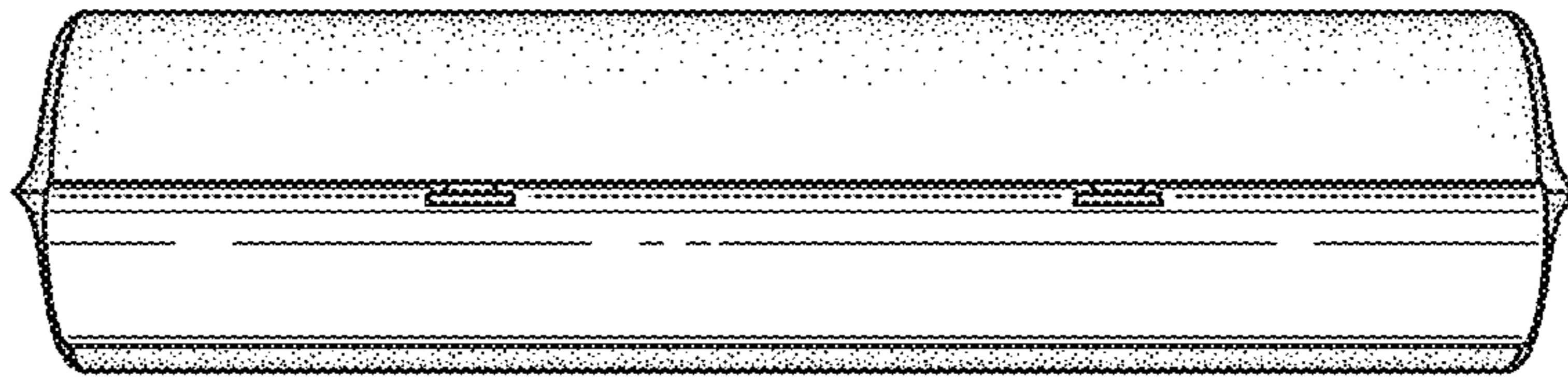


FIG. 7

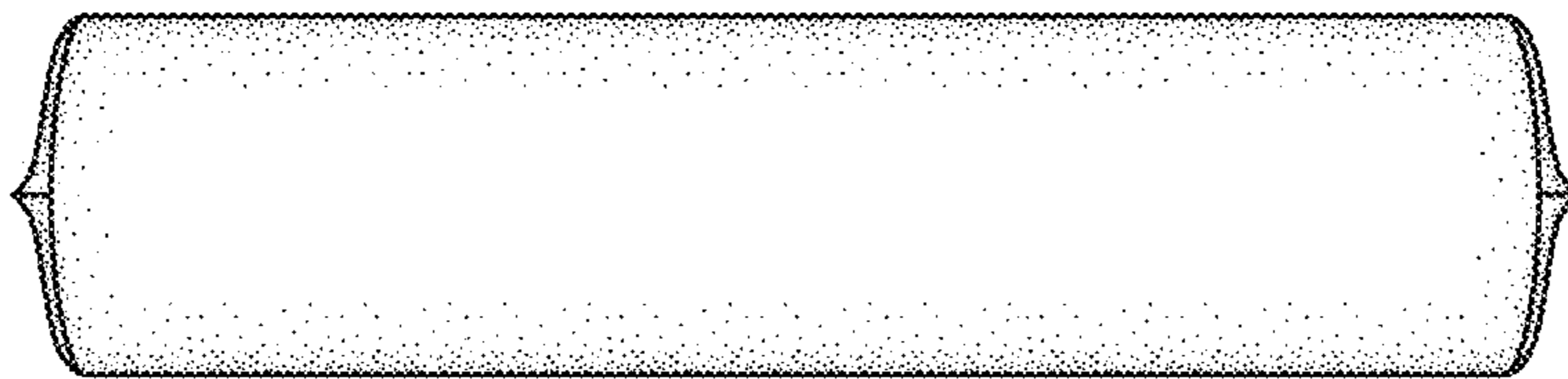


FIG. 8

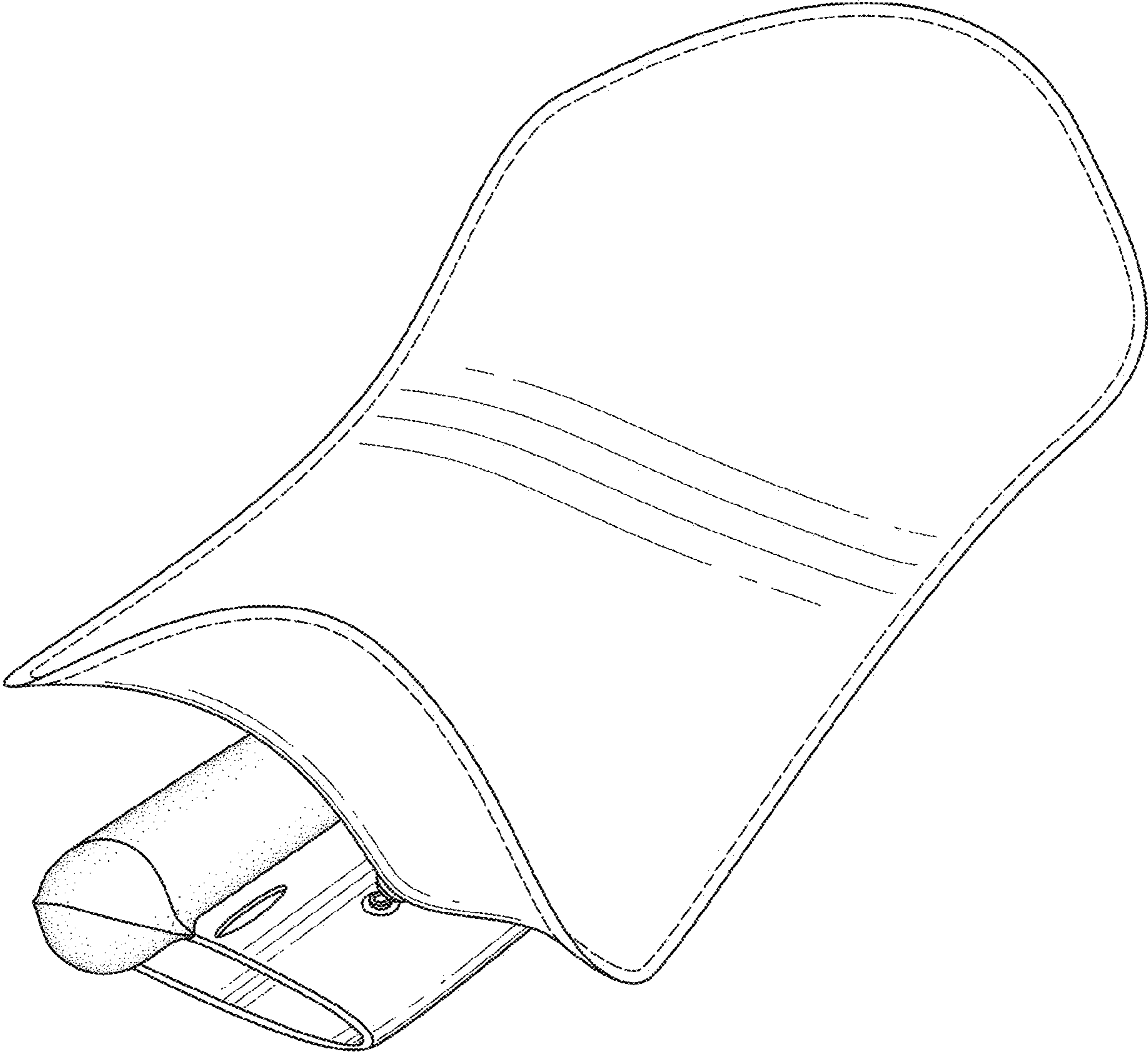


FIG. 9