



US00D901205S

(12) **United States Design Patent**  
**Kumazawa**

(10) **Patent No.:** **US D901,205 S**

(45) **Date of Patent:** **\*\* Nov. 10, 2020**

(54) **CHAIR**

(71) Applicant: **Aichi Co., Ltd.**, Nagoya (JP)

(72) Inventor: **Taku Kumazawa**, Ichinomiya (JP)

(73) Assignee: **AICHI CO., LTD.**, Nagoya (JP)

(\*\*) Term: **15 Years**

(21) Appl. No.: **29/662,978**

(22) Filed: **Sep. 11, 2018**

(30) **Foreign Application Priority Data**

Mar. 15, 2018 (JP) ..... 2018-005392

(51) **LOC (12) Cl.** ..... **06-01**

(52) **U.S. Cl.**  
USPC ..... **D6/380**

(58) **Field of Classification Search**  
USPC ..... D6/334, 349, 369, 374-376, 379-382,  
D6/711, 708.16, 716.1

CPC .... A47C 3/04; A47C 3/12; A47C 5/04; A47C  
5/12; A47C 5/14; A47C 7/02; A47C 7/16;  
A47C 7/18; A47C 7/24; A47C 11/00;  
A47C 15/002; A47C 17/02

See application file for complete search history.

(56) **References Cited**

**U.S. PATENT DOCUMENTS**

- 3,485,525 A \* 12/1969 Spilman ..... A47C 3/04  
297/239
- D323,943 S \* 2/1992 Piretti ..... D6/380
- D546,089 S \* 7/2007 Ebenestelli ..... D6/374
- D580,676 S \* 11/2008 Cramer ..... D6/379
- D686,835 S \* 7/2013 Mascetti ..... D6/376
- D756,140 S \* 5/2016 Kumazawa ..... D6/368

- D836,358 S \* 12/2018 Starck ..... D6/374
- D846,909 S \* 4/2019 Swy ..... D6/380
- D873,579 S \* 1/2020 Kumazawa ..... D6/380
- D878,793 S \* 3/2020 Han ..... D6/376

**FOREIGN PATENT DOCUMENTS**

DE 102004020449 B3 \* 8/2005 ..... A47C 3/04

\* cited by examiner

*Primary Examiner* — R. Johnson

(74) *Attorney, Agent, or Firm* — Withrow & Terranova,  
P.L.L.C.; Vincent K. Gustafson

(57) **CLAIM**

The ornamental design for a chair, as shown and described.

**DESCRIPTION**

FIG. 1 is a front elevational view of a chair showing my design;

FIG. 2 is a rear elevational view of the chair;

FIG. 3 is a top plan view of the chair;

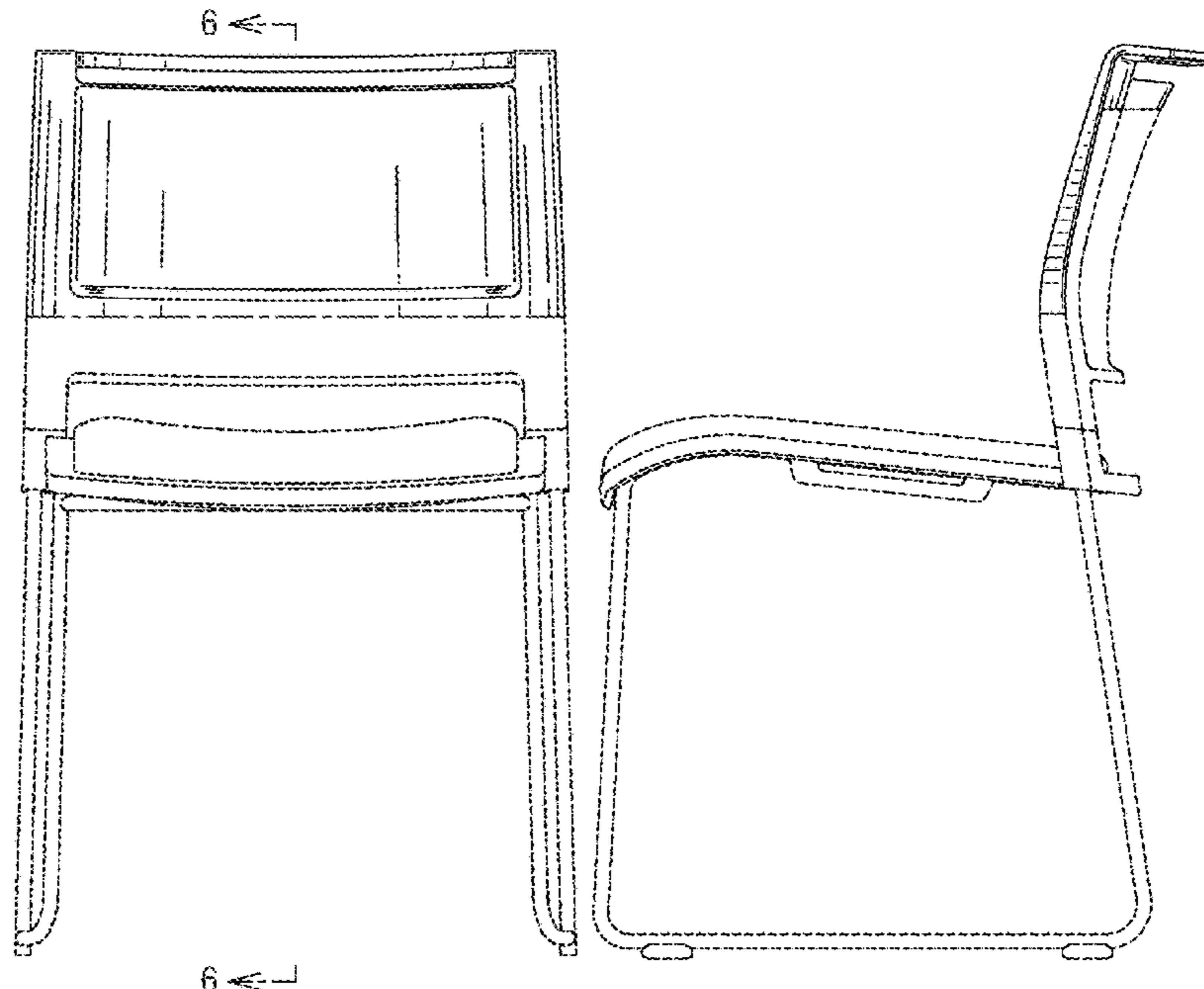
FIG. 4 is a bottom plan view of the chair;

FIG. 5 is a right side elevational view of the chair; the left side elevational view being a mirror image thereof; and,

FIG. 6 is a cross-sectional view of the chair cut along section line 6-6 shown in FIG. 1.

Throughout the views, the evenly spaced broken lines illustrate the portions of the chair that form no part of the claimed design. The dot-dashed broken lines represent the boundaries of the design and form no part of the claim. The thin, parallel lines represent surface shading and not ornamentation or decoration.

**1 Claim, 6 Drawing Sheets**



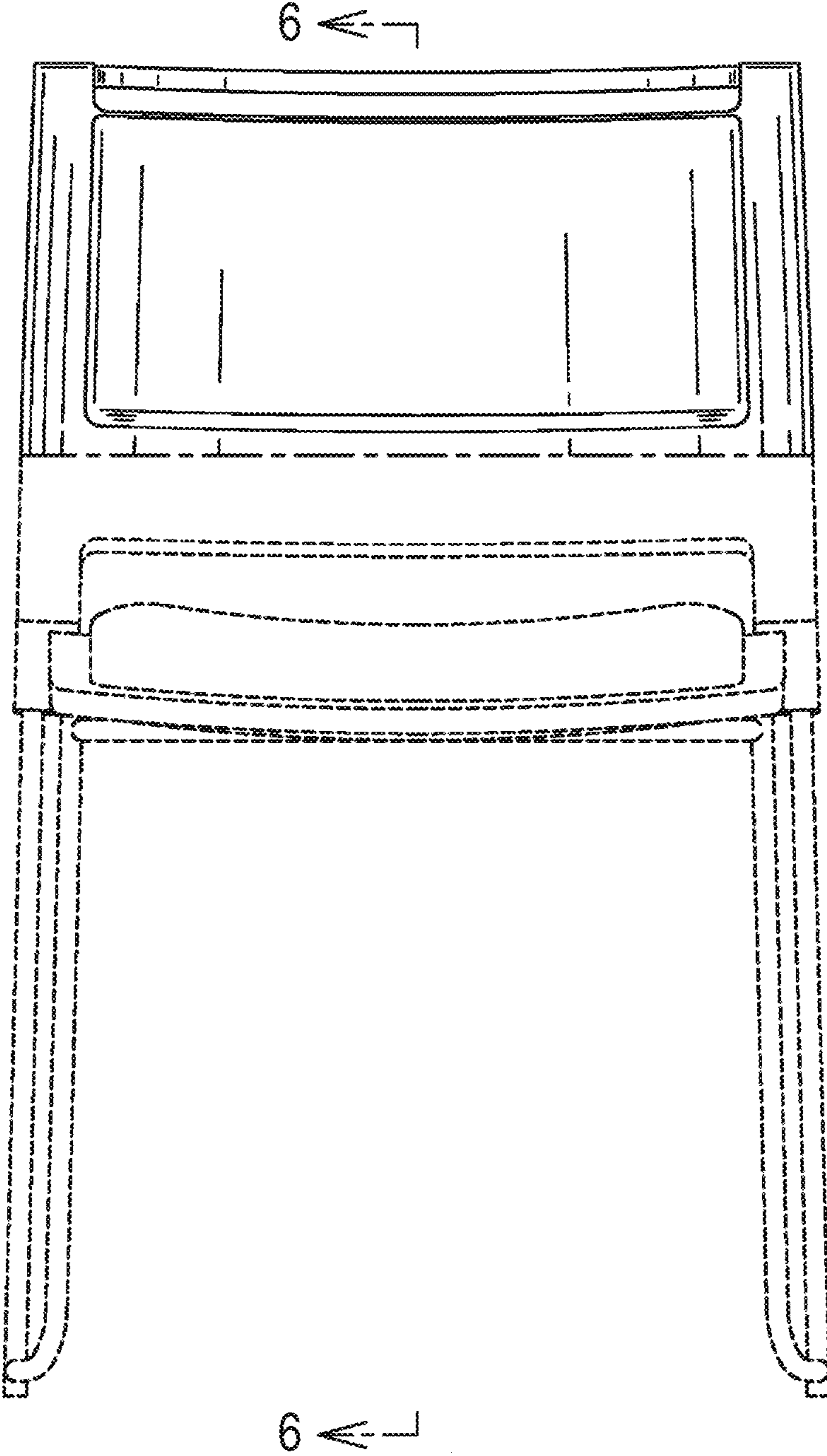


FIG. 1

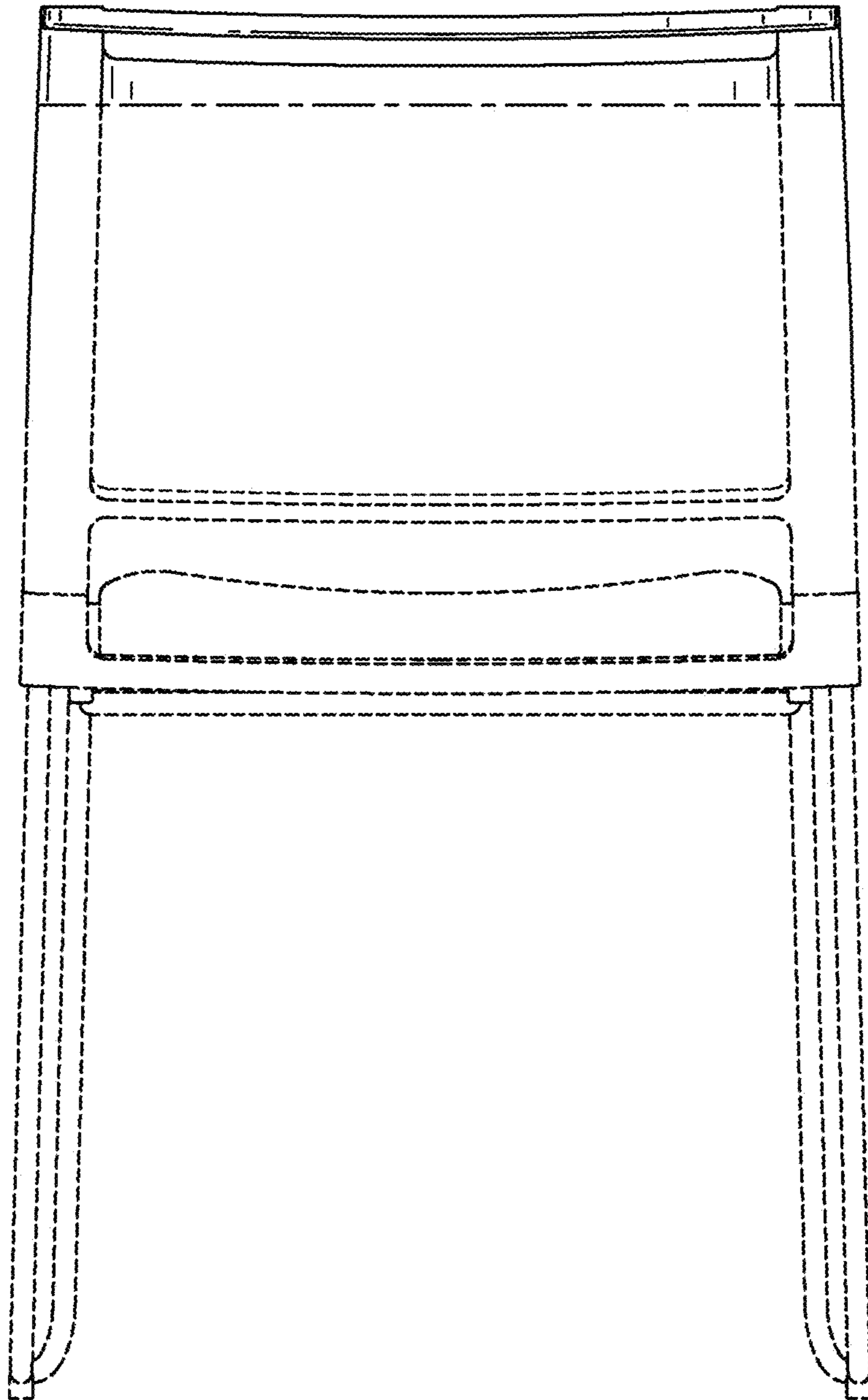


FIG. 2

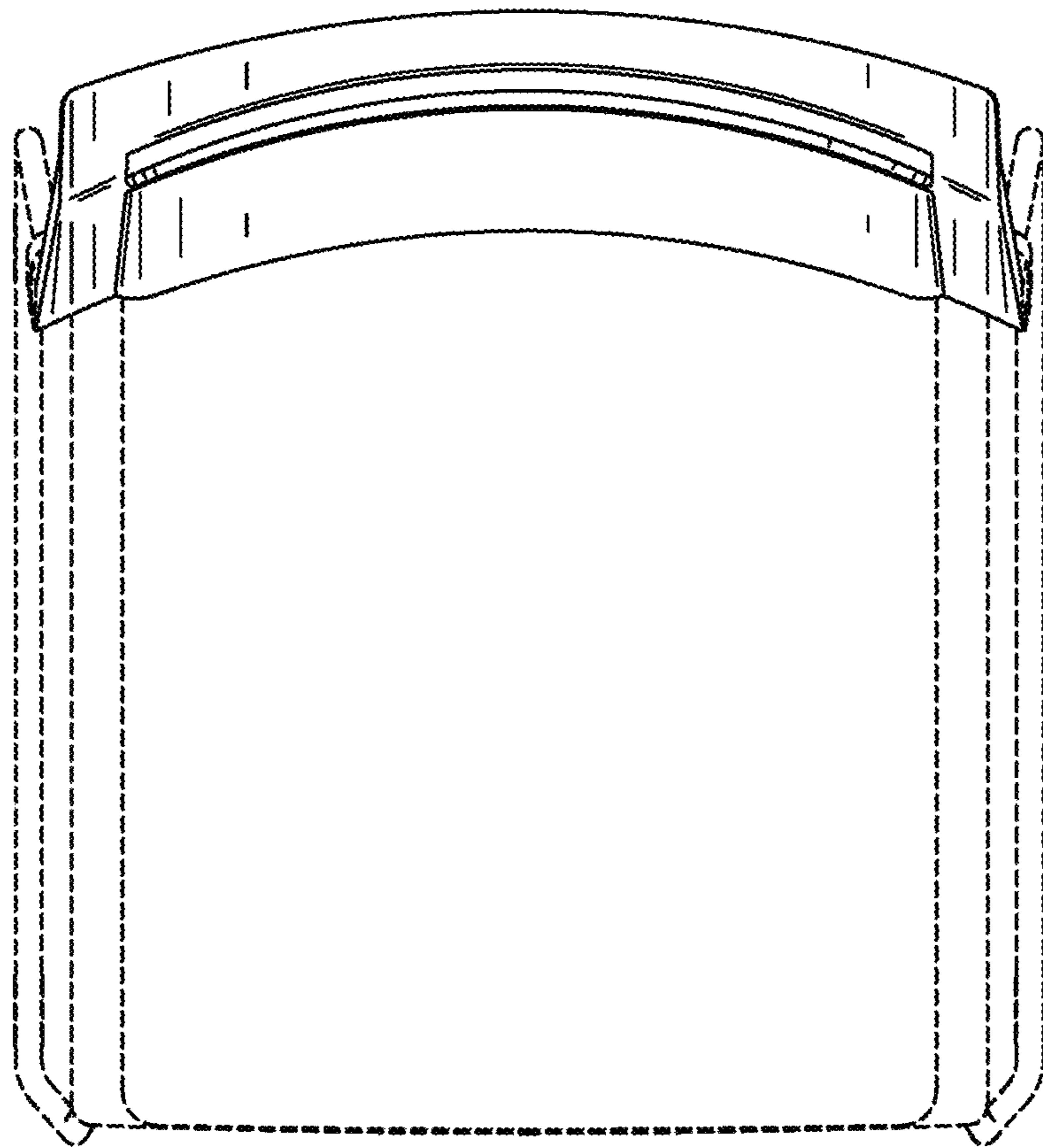


FIG. 3

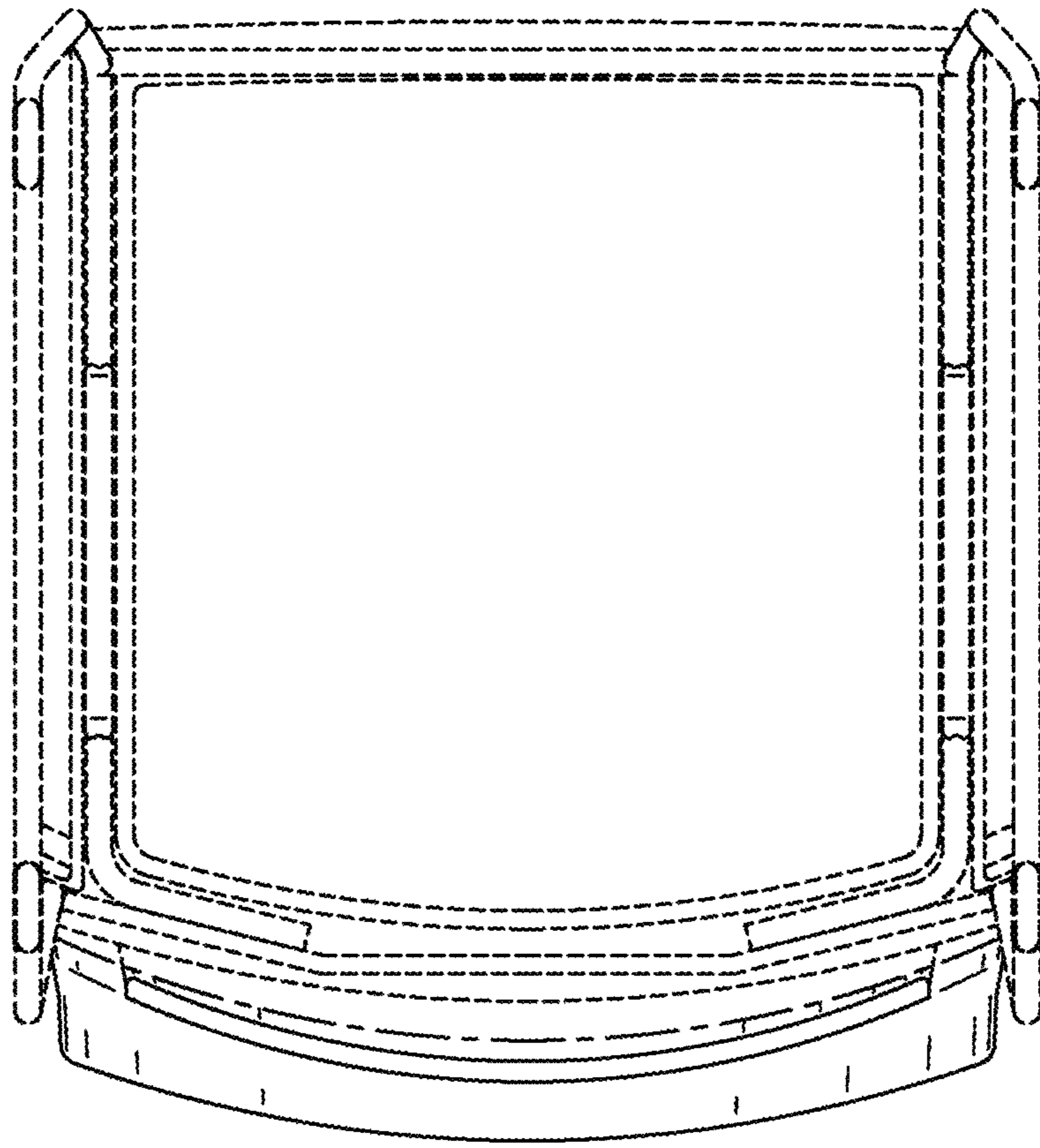


FIG. 4

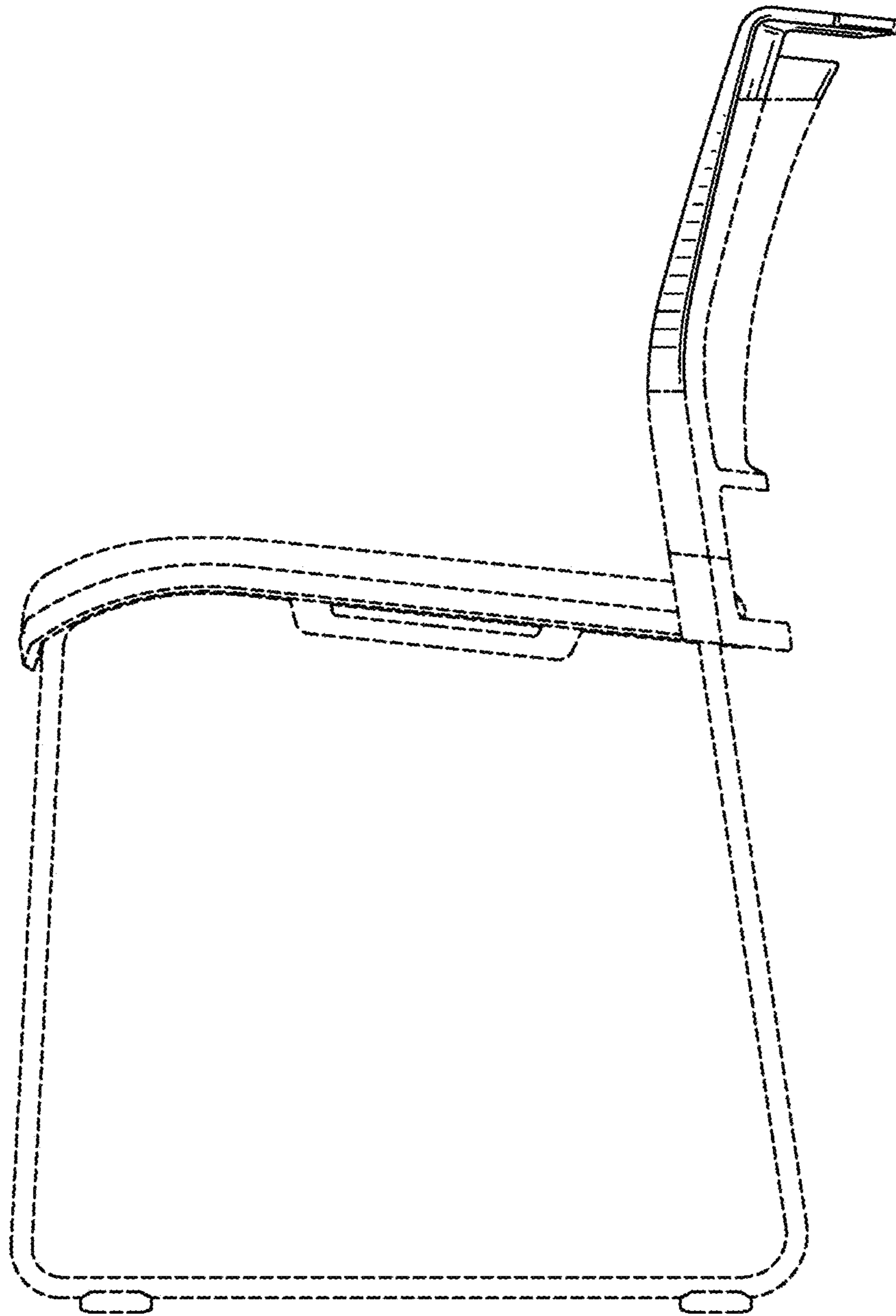


FIG. 5

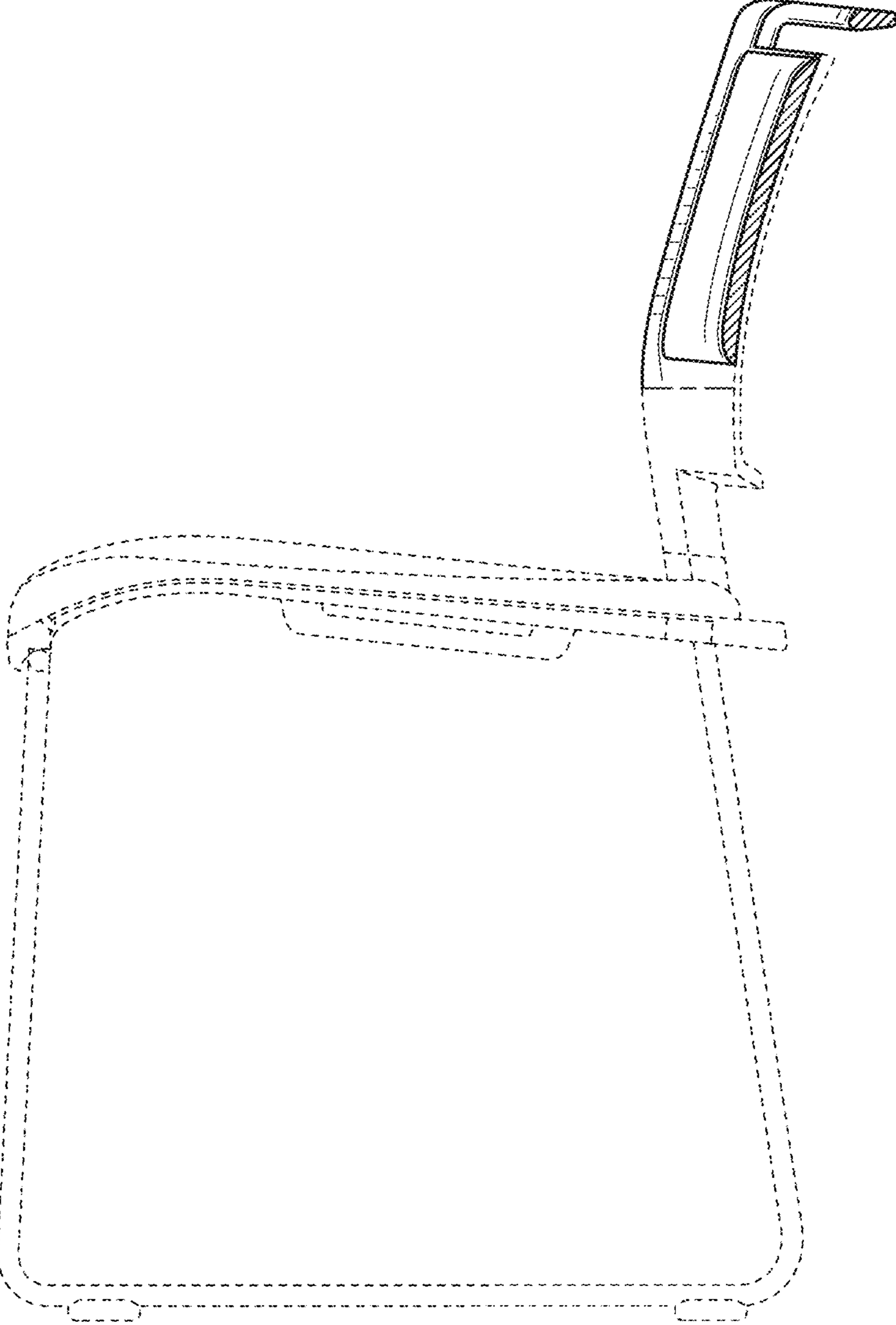


FIG.6