



US00D901196S

(12) **United States Design Patent** (10) **Patent No.:** **US D901,196 S**
Rashid (45) **Date of Patent:** **** Nov. 10, 2020**

(54) **STOOL**
(71) Applicant: **Karim Rashid**, New York, NY (US)
(72) Inventor: **Karim Rashid**, New York, NY (US)
(73) Assignee: **Noriz Group, Inc.**, West Chicago, IL (US)
(**) Term: **15 Years**

D240,343 S * 6/1976 Moore, Jr. D6/692.3
D305,850 S * 2/1990 Peterson D6/334
D317,405 S * 6/1991 Yasika D3/203.2
D323,263 S * 1/1992 Blackburn D6/686
D342,843 S * 1/1994 Kuntz D6/677
D530,109 S * 10/2006 Barrett D6/352
D613,096 S * 4/2010 Stoepker D6/692.3
D663,969 S * 7/2012 Hundley D6/677
D799,867 S * 10/2017 Thai D6/692.3
D829,014 S * 9/2018 Handler D6/352

(21) Appl. No.: **29/676,654**
(22) Filed: **Jan. 13, 2019**
(51) **LOC (12) Cl.** **06-01**
(52) **U.S. Cl.**
USPC **D6/352**
(58) **Field of Classification Search**
USPC D6/334-338, 340-343, 349-353, 355,
D6/364-365, 691-691.9, 692-692.6,
D6/716-716.1, 717; D25/65
CPC A47B 7/00-02; A47C 11/00; A47C 12/00;
A47C 13/00; A47C 16/00; A47C
16/02-04; A47C 9/00-105; A47K 17/02;
A47K 17/028
See application file for complete search history.

OTHER PUBLICATIONS

Jigger Stool Modern Indoor & Outdoor Furniture. [online] Retrieved Oct. 15, 2019 from URL: <https://tonikworld.com/product/jigger-stool-copy/>.*

* cited by examiner

Primary Examiner — Vy N Koenig
(74) *Attorney, Agent, or Firm* — James D Palmatier,
Applied Patent Services, PC

(57) **CLAIM**

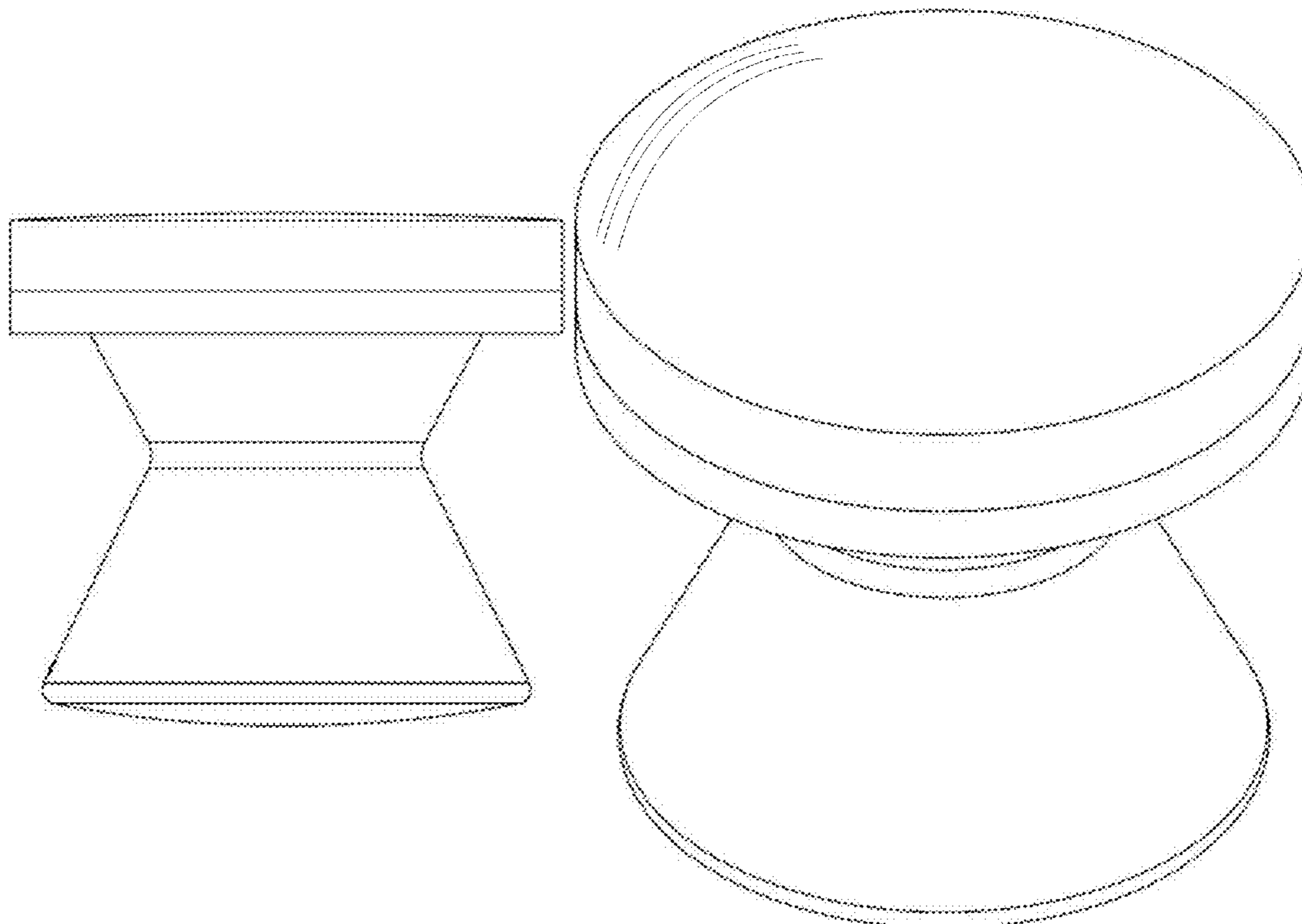
I claim the ornamental design for a stool, as shown and described.

DESCRIPTION

FIG. 1 is a top plan view of a stool showing my new design; FIG. 2 is a front elevation view thereof, the rear, left and right side elevation views being identical to the front elevation view;
FIG. 3 is a bottom plan view thereof;
FIG. 4 is a top perspective view thereof; and,
FIG. 5 is a bottom perspective view thereof.

1 Claim, 2 Drawing Sheets

(56) **References Cited**
U.S. PATENT DOCUMENTS
3,230,909 A * 1/1966 Watson A47C 9/00
108/150
D219,490 S * 12/1970 Plessinger D6/692.3
3,770,319 A * 11/1973 Ono A47C 3/02
297/461



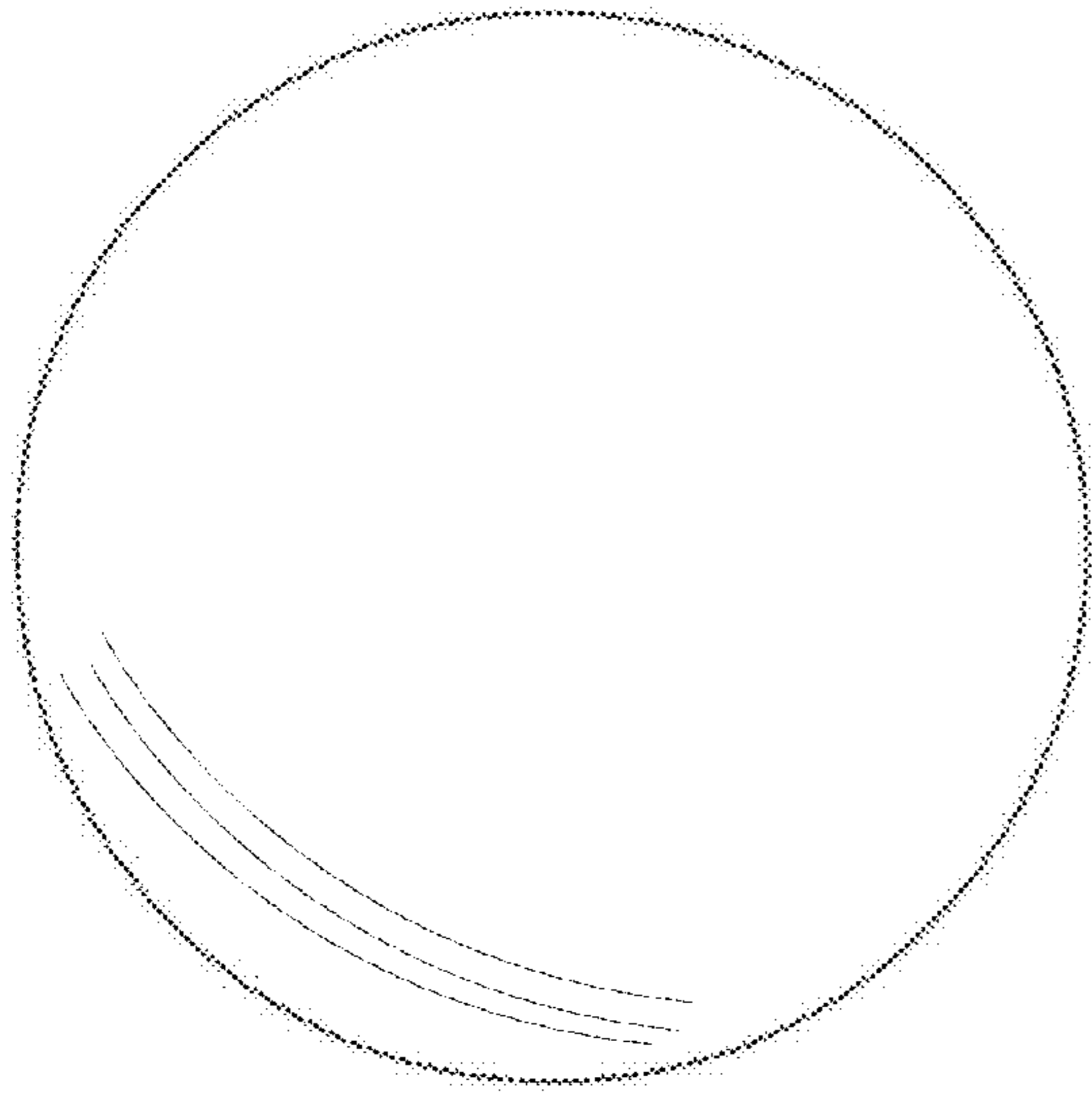


FIG. 1

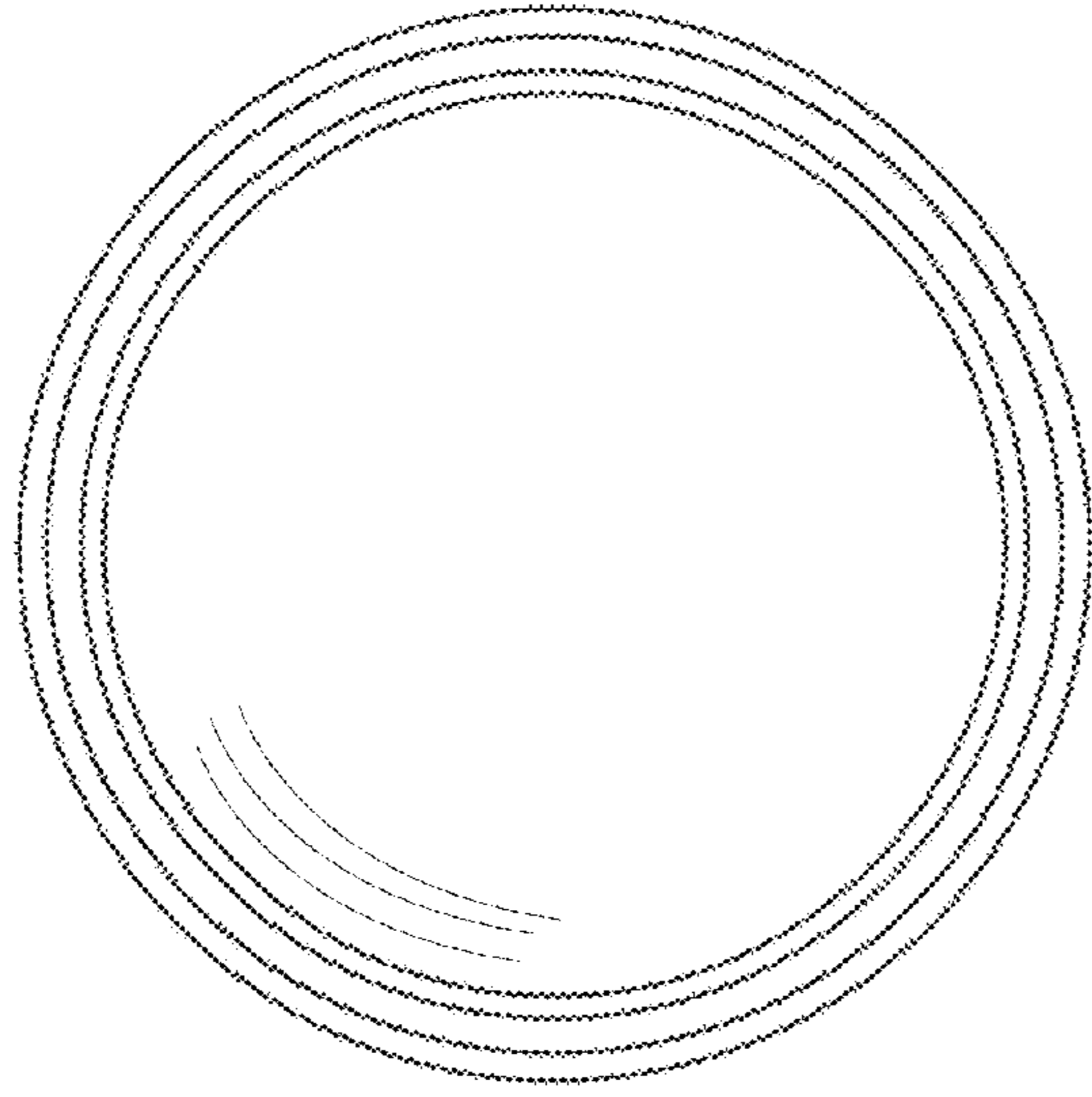


FIG. 3

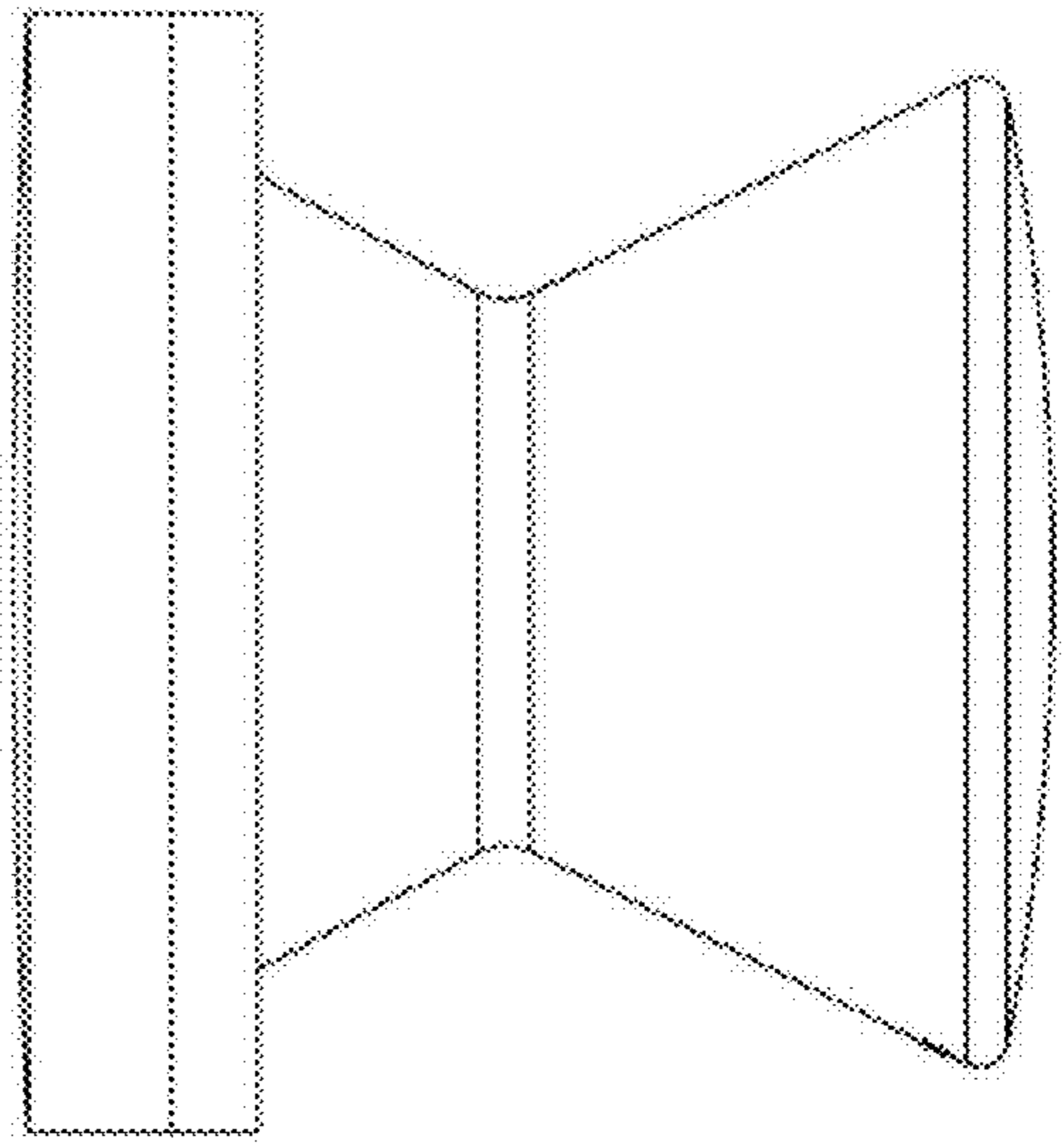


FIG. 2

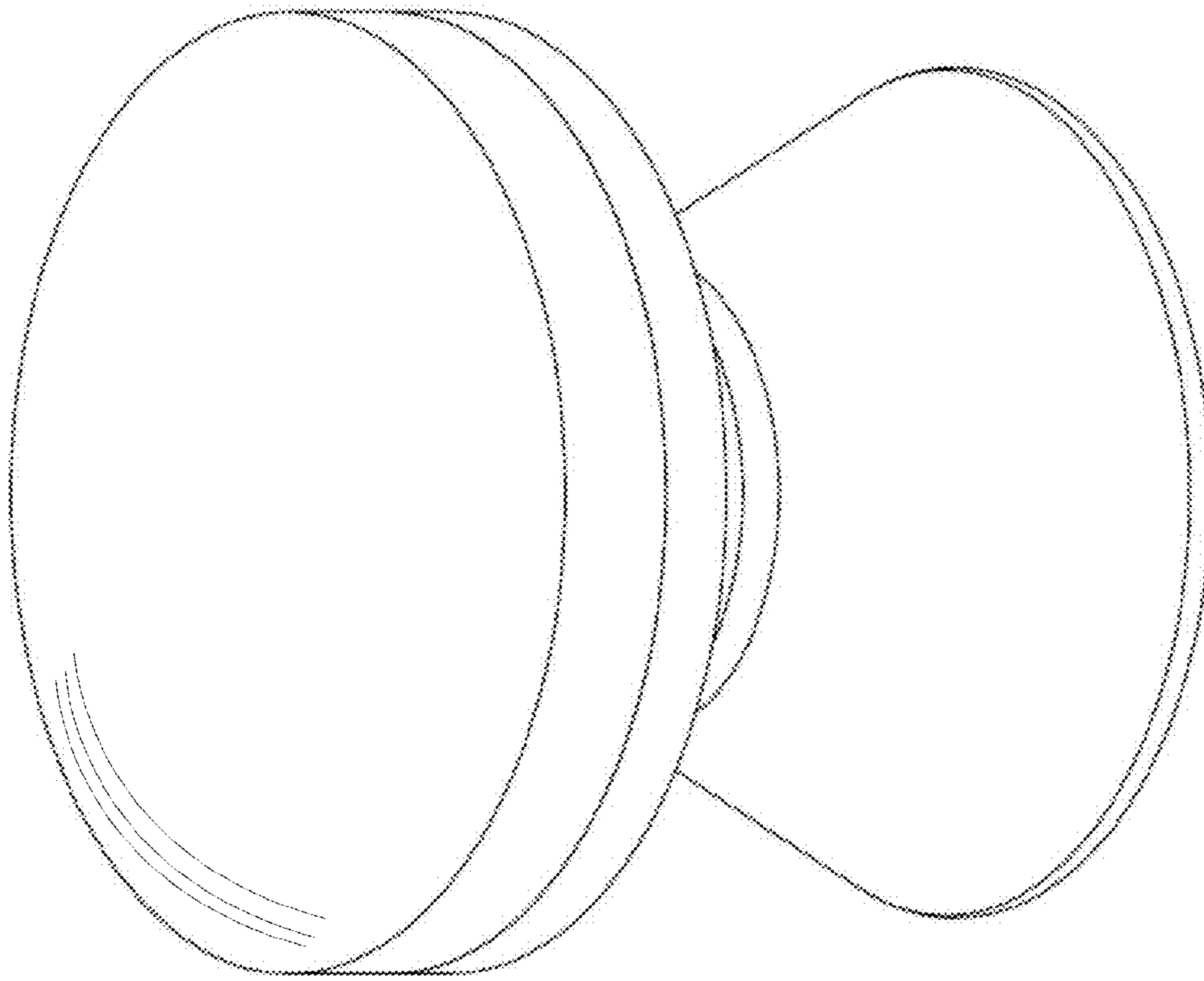


FIG. 5

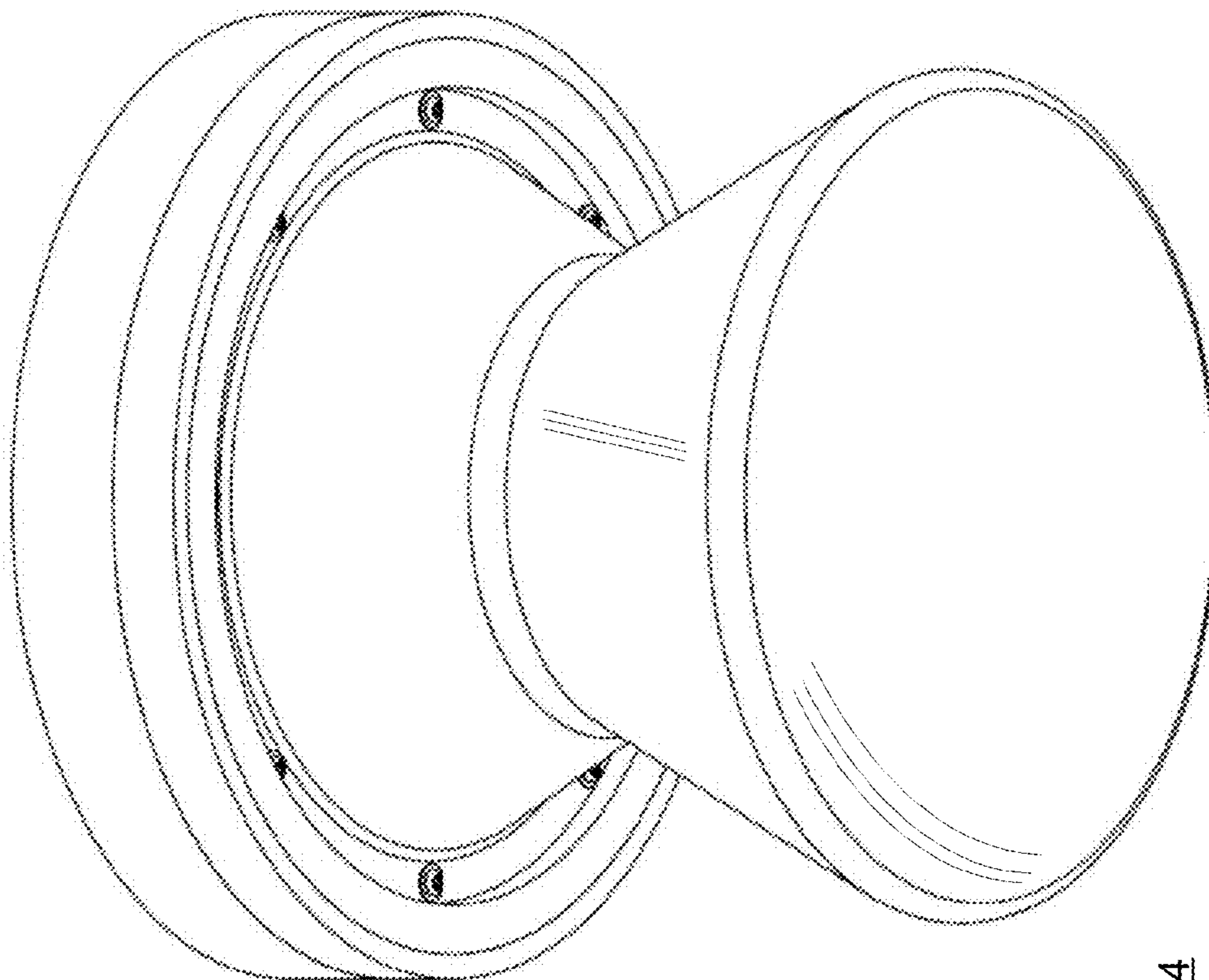


FIG. 4