



US00D901195S

(12) **United States Design Patent** (10) **Patent No.:** **US D901,195 S**
Lee (45) **Date of Patent:** **** Nov. 10, 2020**

(54) **BACKREST FOR SWING OR BENCH**
(71) Applicant: **JBL INTERNATIONAL, INC.**,
Houston, TX (US)
(72) Inventor: **Lawrence K. Lee**, Houston, TX (US)
(73) Assignee: **JBL INTERNATIONAL, INC.**,
Houston, TX (US)

1,538,601 A * 5/1925 Talbert A47C 3/0255
297/277
1,547,262 A * 7/1925 Platter A47C 3/0255
297/188.14
1,689,397 A * 10/1928 Lee A47C 3/0255
297/281
6,644,750 B1 * 11/2003 Sandman A47C 11/00
297/217.1
D535,114 S * 1/2007 Goldstein D6/381
(Continued)

(**) Term: **15 Years**

(21) Appl. No.: **29/660,674**

(22) Filed: **Aug. 22, 2018**

(51) **LOC (12) Cl.** **06-01**

(52) **U.S. Cl.**
USPC **D6/347**

(58) **Field of Classification Search**
USPC D6/347, 348, 361, 716, 718, 344, 373,
D6/375, 379, 380, 330, 334, 335, 366,
D6/369, 372, 385, 708.16, 358, 377, 370,
D6/717; D12/52; D21/412, 688;
D24/183, 200
CPC A45F 3/22; A45F 3/24; A45F 3/26; A47D
13/10; A47D 13/105; A47D 9/02; A47C
1/14; A47C 3/0255; A47C 3/029; A47C
3/027; A47C 3/02; A47C 3/04; A47C
3/34; A47C 4/02; A47C 4/03; A47C 4/04;
A47C 5/12; A47C 7/52; A47C 7/506;
A47C 9/007; A47C 15/008; A47C 17/84;
A47C 31/00; A47C 1/143; A47C 7/028;
A47C 7/002; A47C 7/02; A47C 11/00;
A63G 9/00; A63G 9/02; Y10S 135/909;
Y10T 403/32409

See application file for complete search history.

(56) **References Cited**

U.S. PATENT DOCUMENTS

1,328,181 A * 1/1920 Miller A47C 3/0255
297/335
1,417,443 A * 5/1922 Baugher A47C 3/0255
297/280

OTHER PUBLICATIONS

“AquaTeak 4’ Aqua Rose Solid Teak Outdoor Bench” Feb. 20, 2017,
amazon.com, site visited Jul. 1, 2020 <https://www.amazon.com/AquaTeak-Aqua-Solid-Outdoor-Bench/dp/B00G03IO5Y/ref=cm_cr_arp_d_product_top?ie=UTF8> (Year: 2017).*

Primary Examiner — Kevin K Rudzinski

Assistant Examiner — Paul D Bohannon

(74) *Attorney, Agent, or Firm* — Egbert Law Offices,
PLLC

(57) **CLAIM**

The ornamental design for a backrest for swing or bench, as shown and described.

DESCRIPTION

FIG. 1 is a perspective view of a backrest for swing or bench showing my new design.

FIG. 2 is a front view thereof;

FIG. 3 is a rear view thereof;

FIG. 4 is a side view thereof;

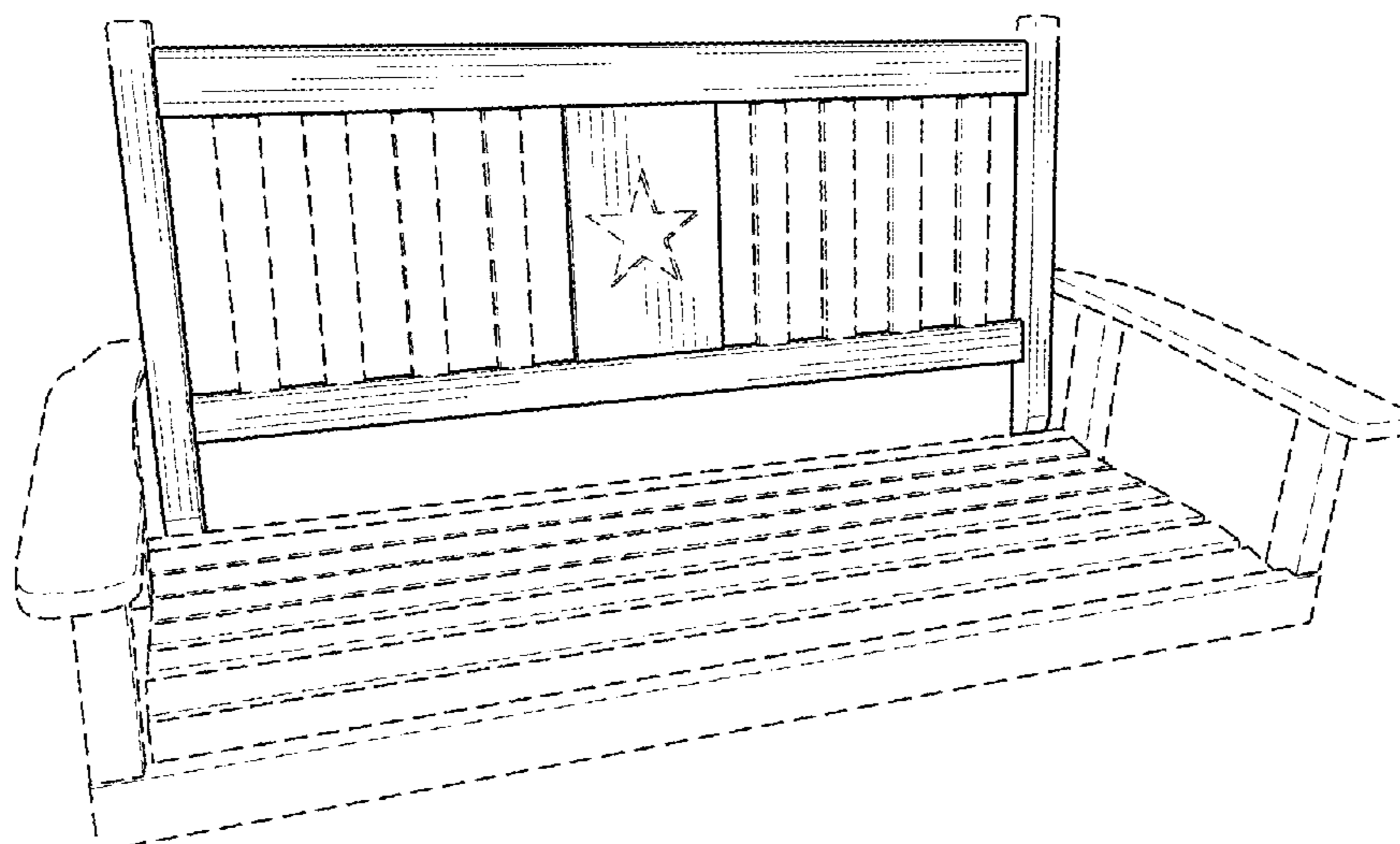
FIG. 5 is an opposite side view thereof;

FIG. 6 is a top view thereof; and,

FIG. 7 is a bottom view thereof.

The features presented in broken lines represent unclaimed portions of the backrest for swing or bench and unclaimed environmental structure and form no part of the claimed design.

1 Claim, 2 Drawing Sheets



(56)

References Cited

U.S. PATENT DOCUMENTS

| | | | |
|--------------|--------|--------------------|----------|
| D541,547 S * | 5/2007 | Goldstein | D6/381 |
| D681,971 S * | 5/2013 | de los Reyes | D6/370 |
| D681,972 S * | 5/2013 | de los Reyes | D6/370 |
| D688,076 S * | 8/2013 | Lee | D6/366 |
| D815,478 S * | 4/2018 | Lee | D6/716.4 |

* cited by examiner

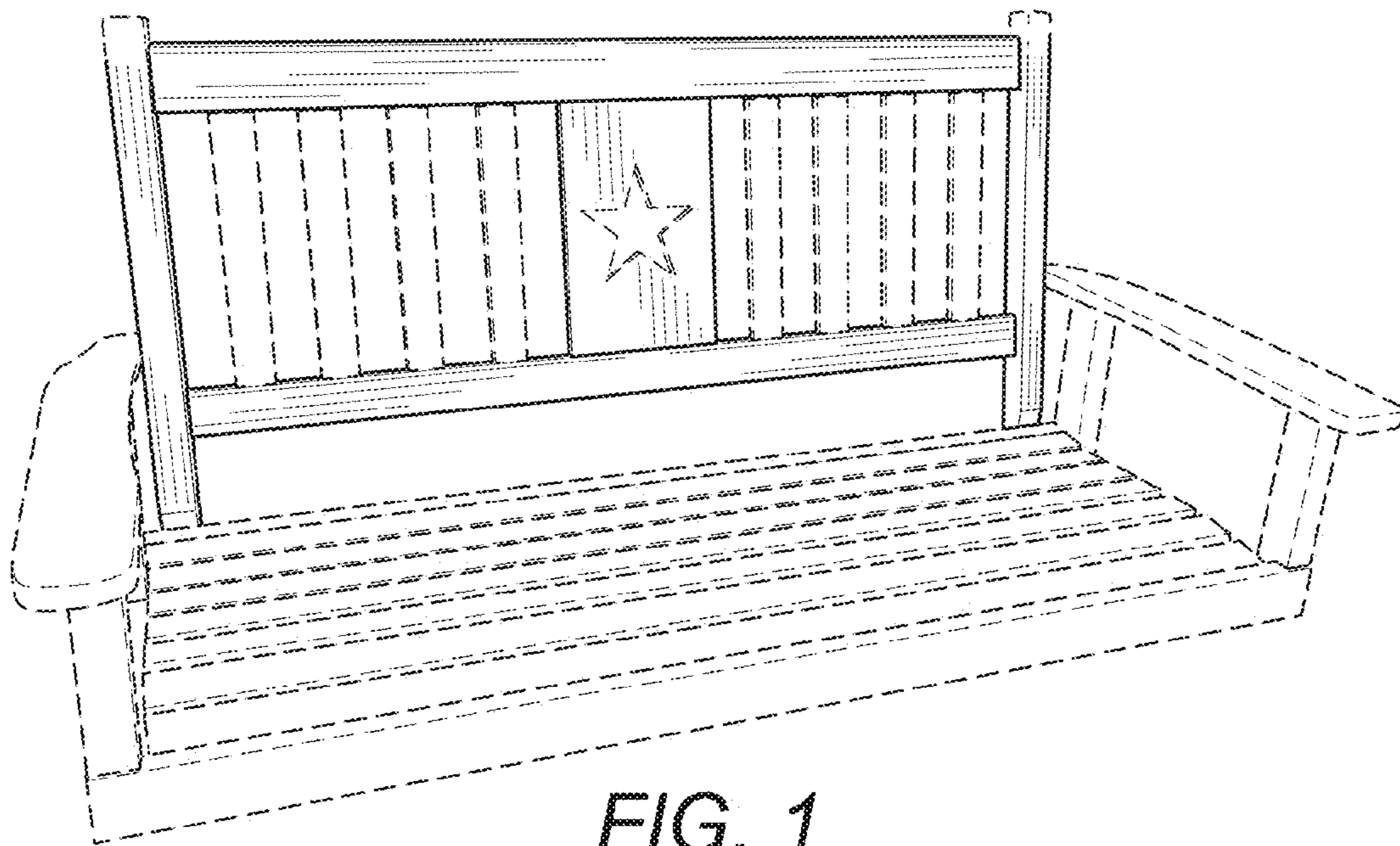


FIG. 1

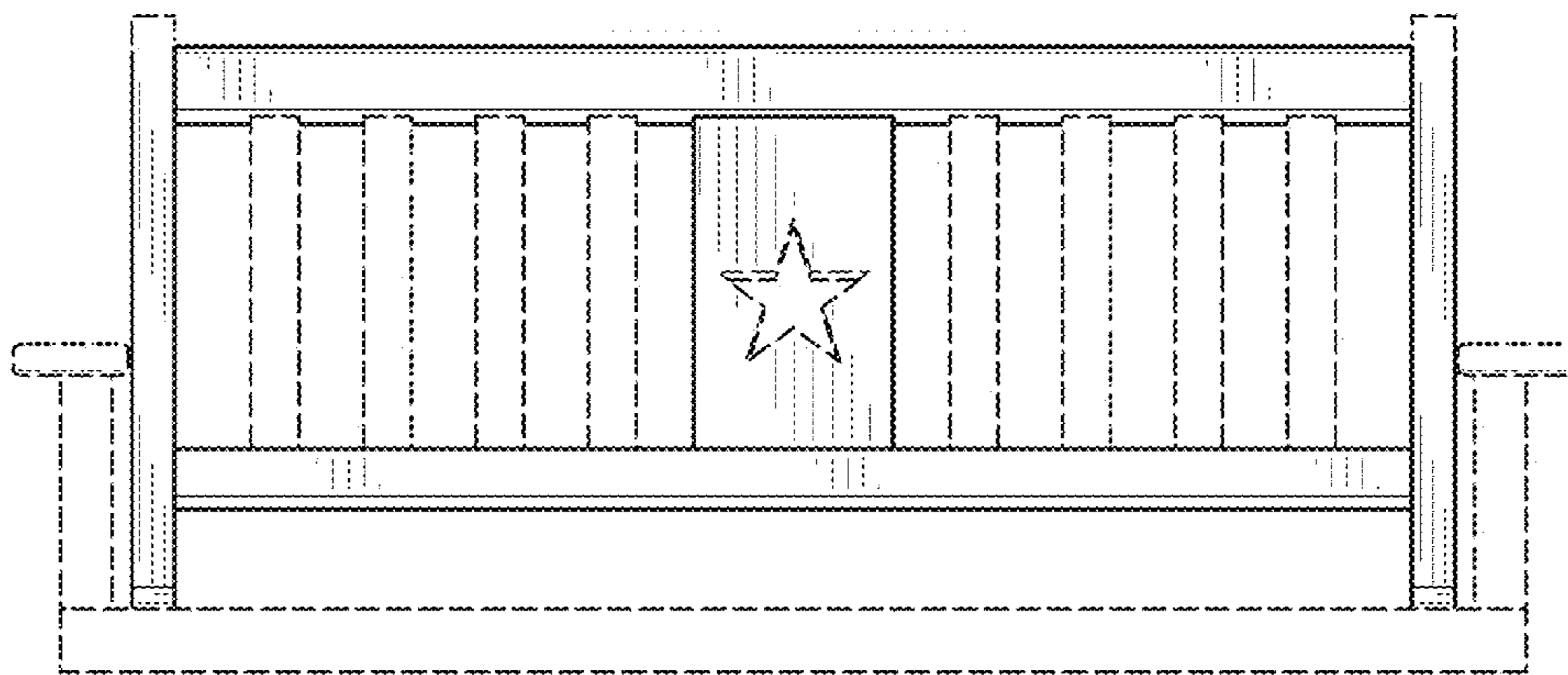


FIG. 2

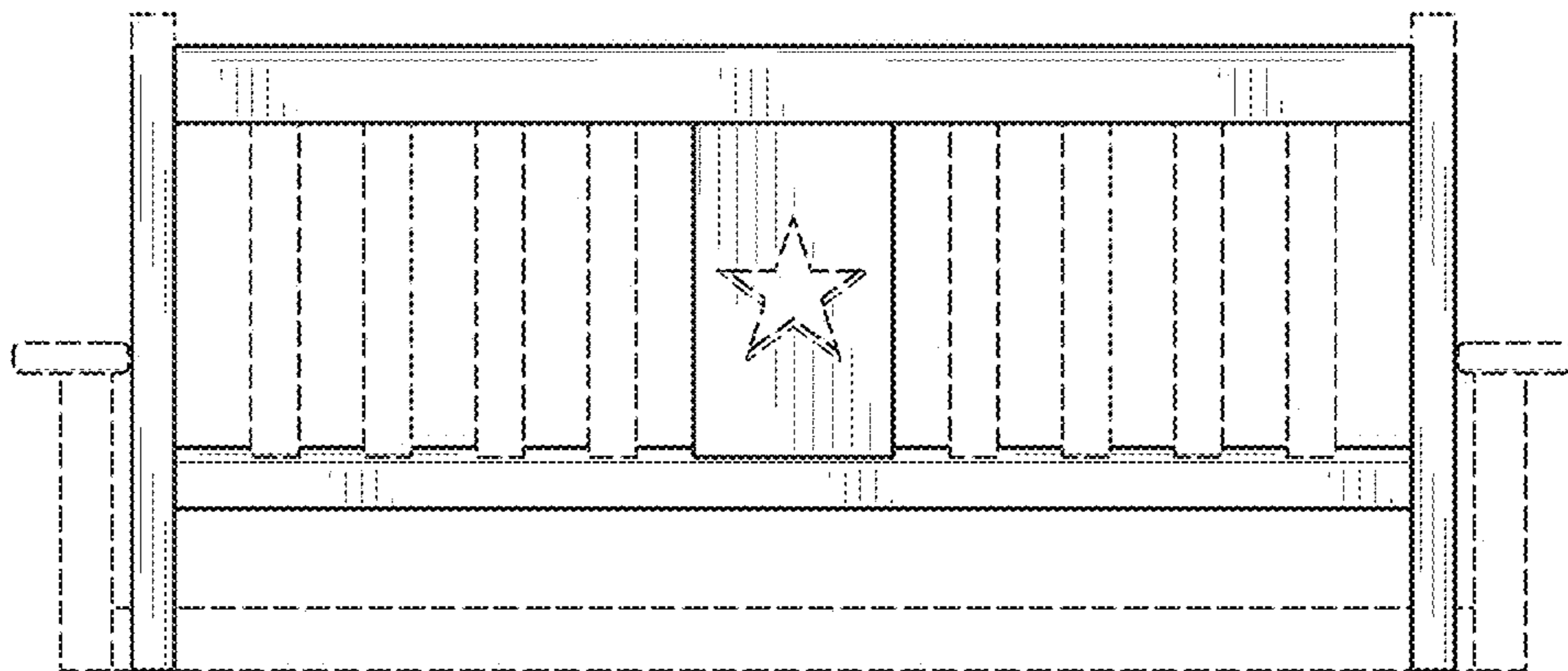


FIG. 3

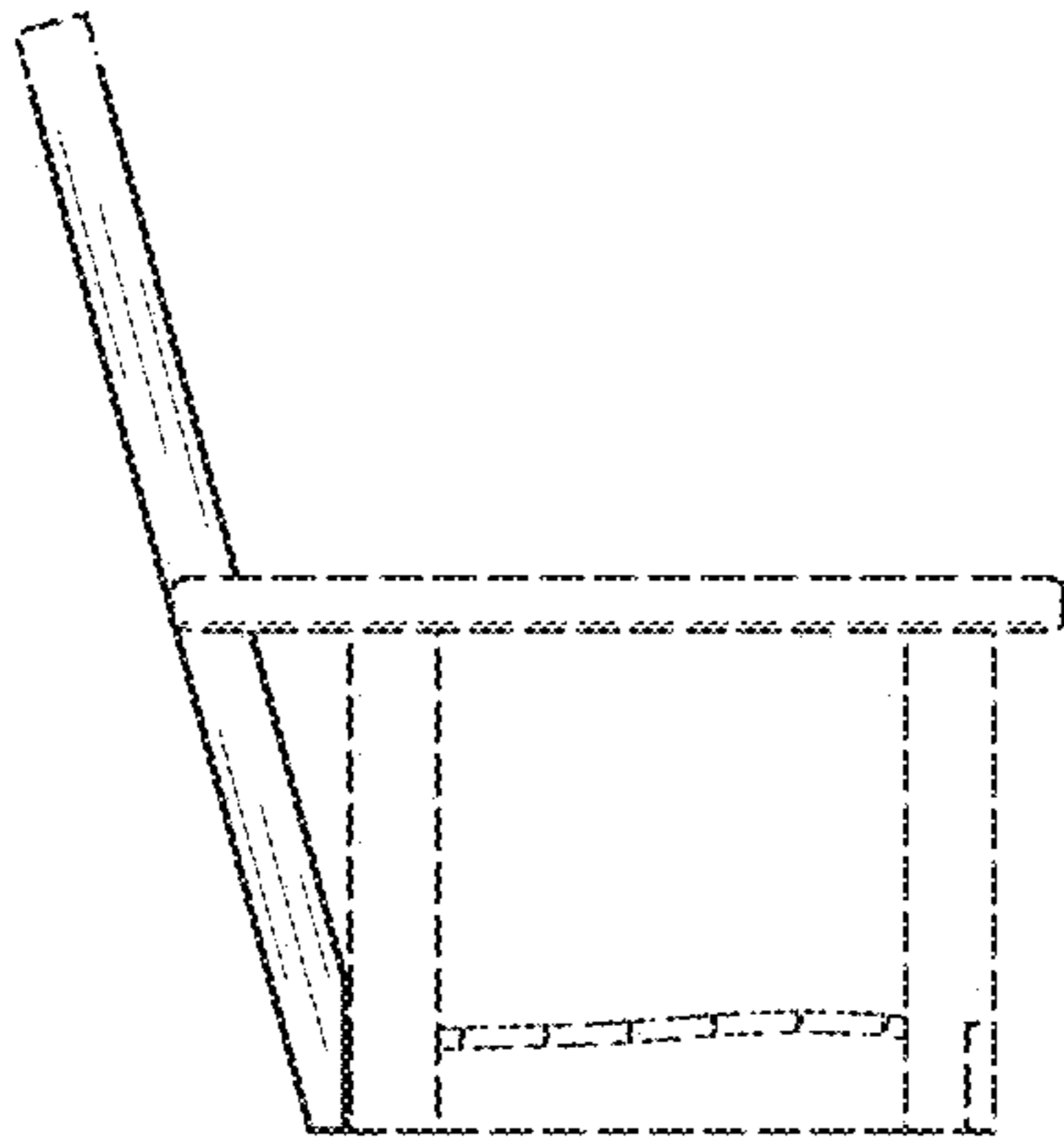


FIG. 4

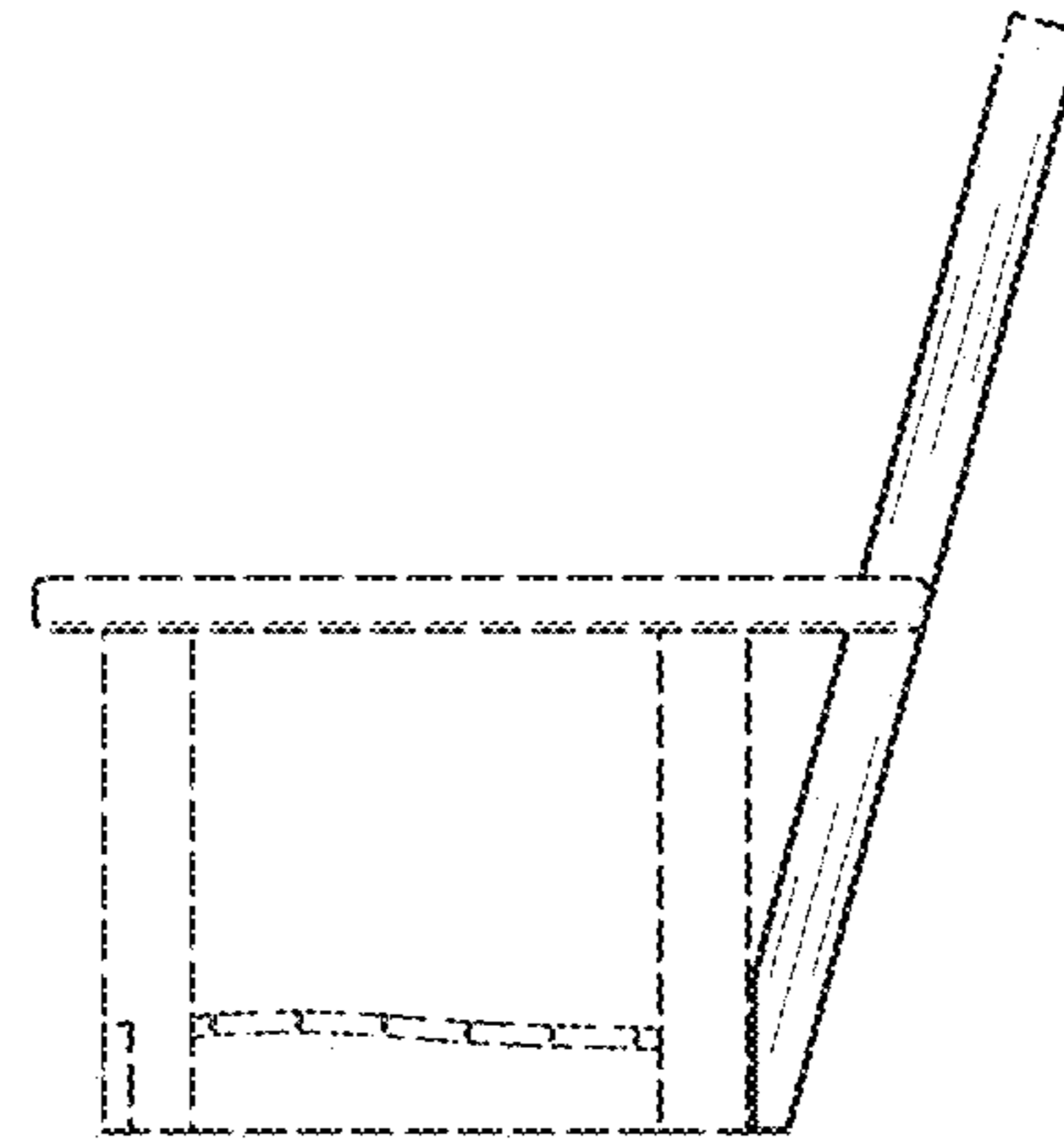


FIG. 5

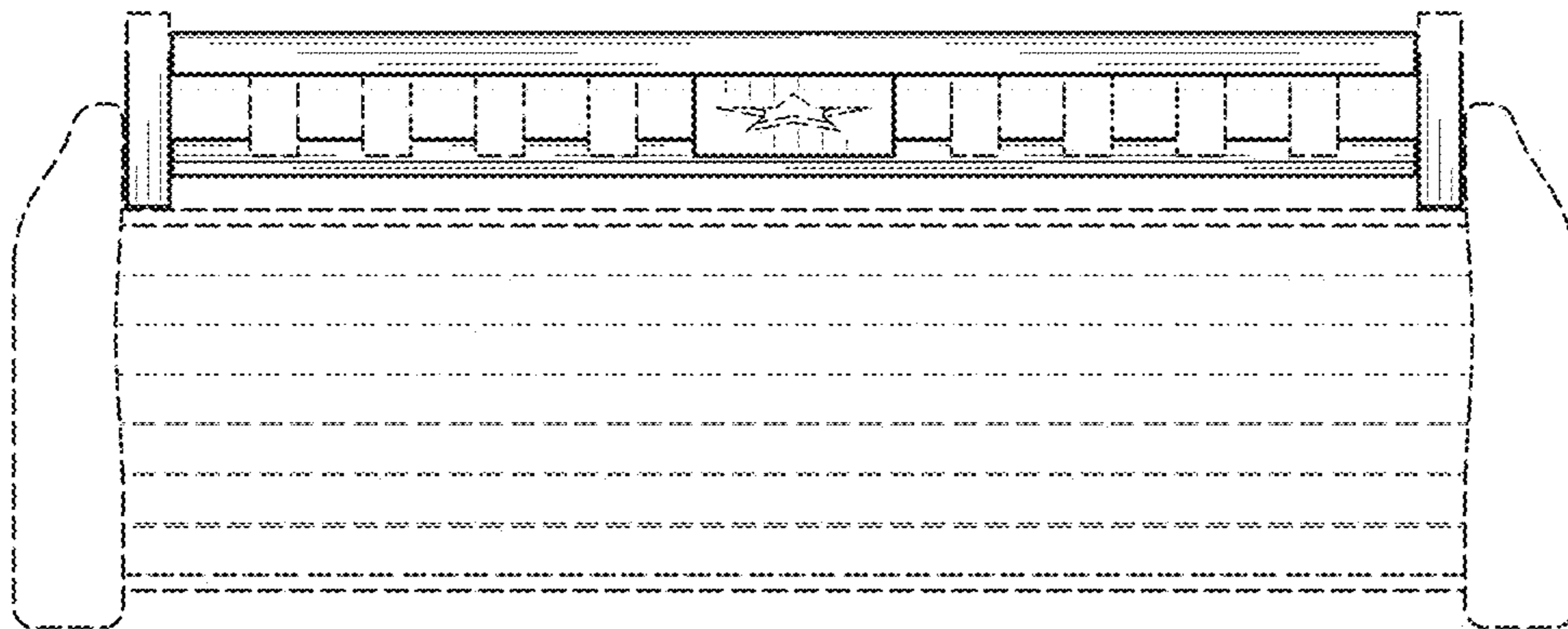


FIG. 6

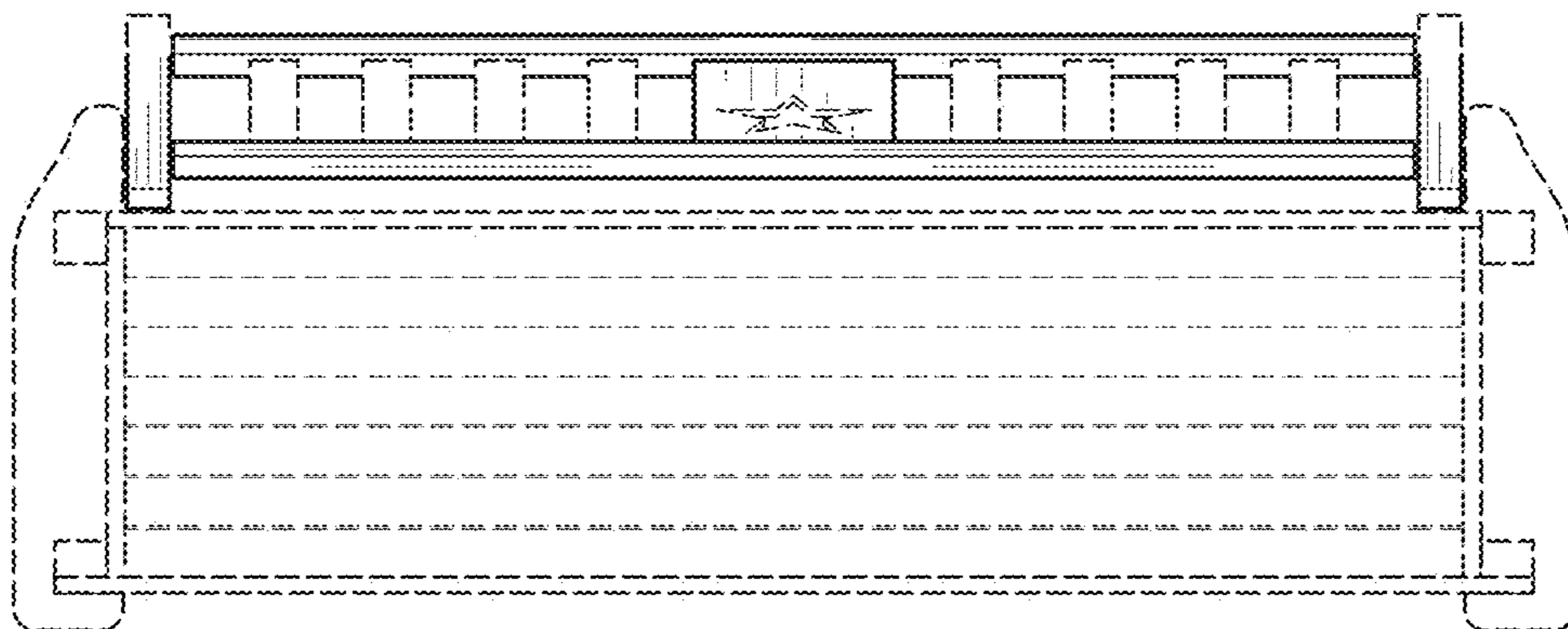


FIG. 7