



US00D901194S

(12) **United States Design Patent** (10) **Patent No.:** **US D901,194 S**
Howe (45) **Date of Patent:** **** Nov. 10, 2020**

(54) **BABY CHAIR FOOTREST**

(71) Applicant: **Melina Howe**, Zetland (AU)

(72) Inventor: **Melina Howe**, Zetland (AU)

(**) Term: **15 Years**

(21) Appl. No.: **29/690,157**

(22) Filed: **May 6, 2019**

(30) **Foreign Application Priority Data**

Nov. 5, 2018 (AU) 201816601

(51) **LOC (12) Cl.** **06-01**

(52) **U.S. Cl.**
USPC **D6/339**

(58) **Field of Classification Search**

USPC D6/333-336, 339, 344, 702, 716,
D6/716.1-716.7; 297/183.1-183.4,
297/184.13, 184.15, 184.17, 250.1, 255,
297/256.1, 256.15, 219.12, 463.1;
D12/129-130, 133; D21/412, 419;
280/30-31; 5/94, 98.1, 99.1, 101-102,
5/105, 655, 93.1, 12.1; 24/200
CPC A47D 13/02; A47D 13/10; A47D 13/083;
A47D 1/00; A47D 1/002; A47D 1/004;
A47D 1/008; A47D 1/04; B60N 2/22;
B60N 2/24; B60N 2/2821; B60N 2/02;
B60N 2/10; B60N 2/16; B60N
2002/0212; B60N 2002/0216; B60N
2002/022; A47C 3/00; A47C 3/02; A47C
3/025; A47C 3/20

See application file for complete search history.

(56) **References Cited**

U.S. PATENT DOCUMENTS

D764,819 S * 8/2016 Daley D6/339
D844,337 S * 4/2019 Yang D6/339
D867,773 S * 11/2019 Wang D6/339

* cited by examiner

Primary Examiner — Abraham Bahta

(74) *Attorney, Agent, or Firm* — Muncy, Geissler, Olds & Lowe, P.C.

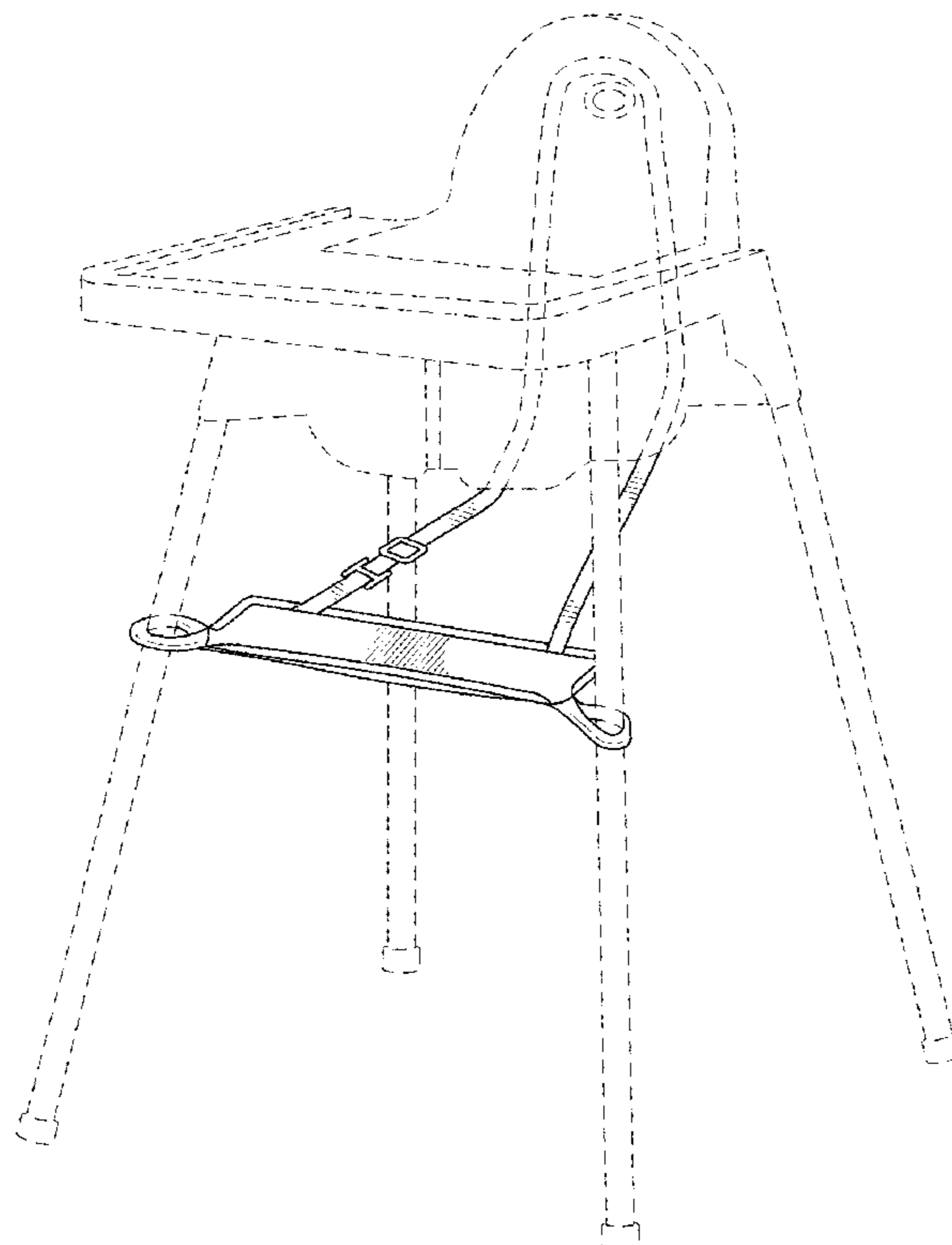
(57) **CLAIM**

The ornamental design for a baby chair footrest, as shown and described.

DESCRIPTION

FIG. 1 is a front perspective view of a baby chair footrest according to the present invention.
FIG. 2 is a front view of the baby chair footrest of FIG. 1.
FIG. 3 is a rear view of the baby chair footrest of FIG. 1.
FIG. 4 is a left side view of the baby chair footrest of FIG. 1.
FIG. 5 is a right side view of the baby chair footrest of FIG. 1.
FIG. 6 is a top view of the baby chair footrest of FIG. 1; and, FIG. 7 is a bottom view of the baby chair footrest of FIG. 1.
The dashed lines illustrate environment that does not form a part of the present invention, and no claim is made to the material illustrated with dashed lines.

1 Claim, 7 Drawing Sheets



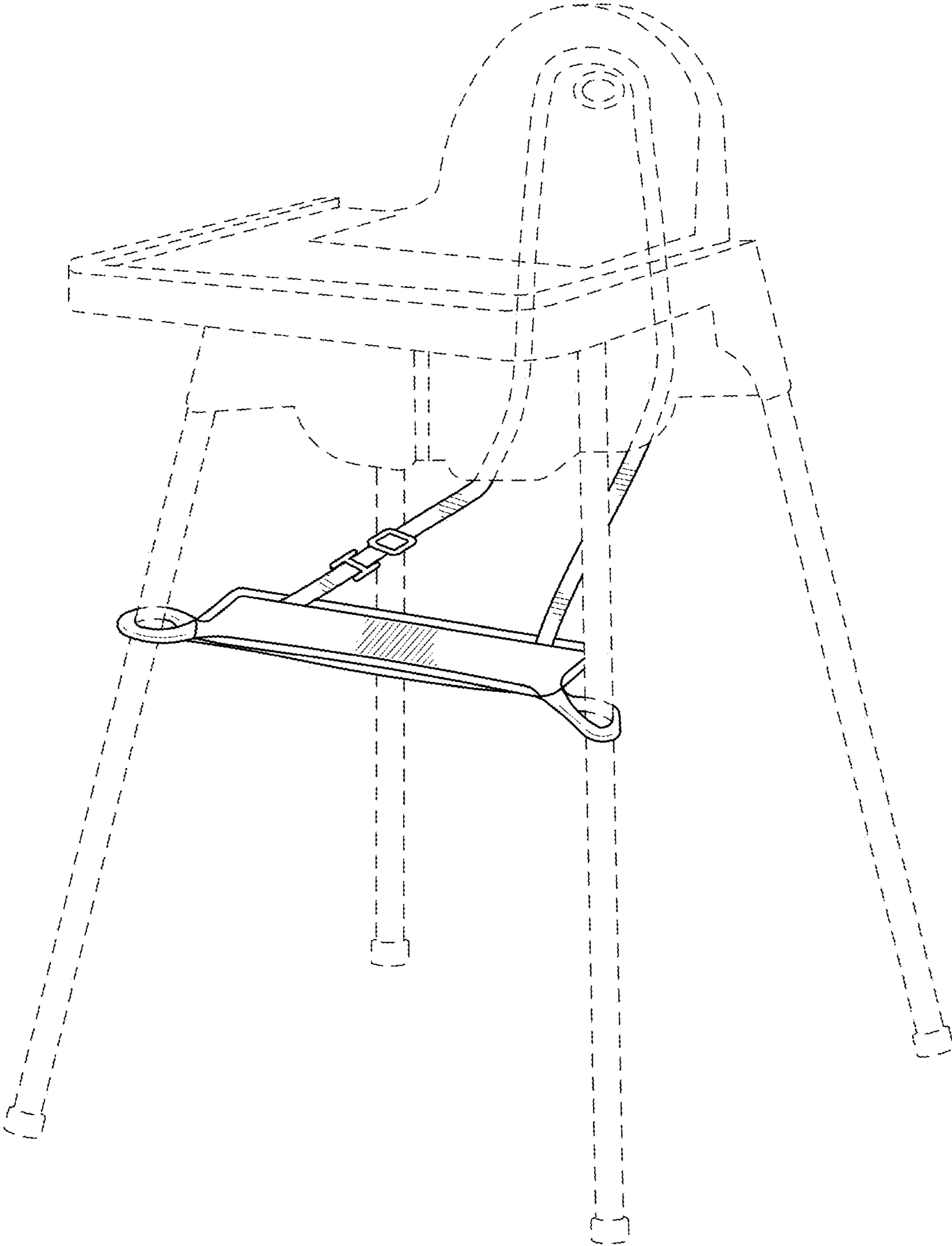


FIG.1

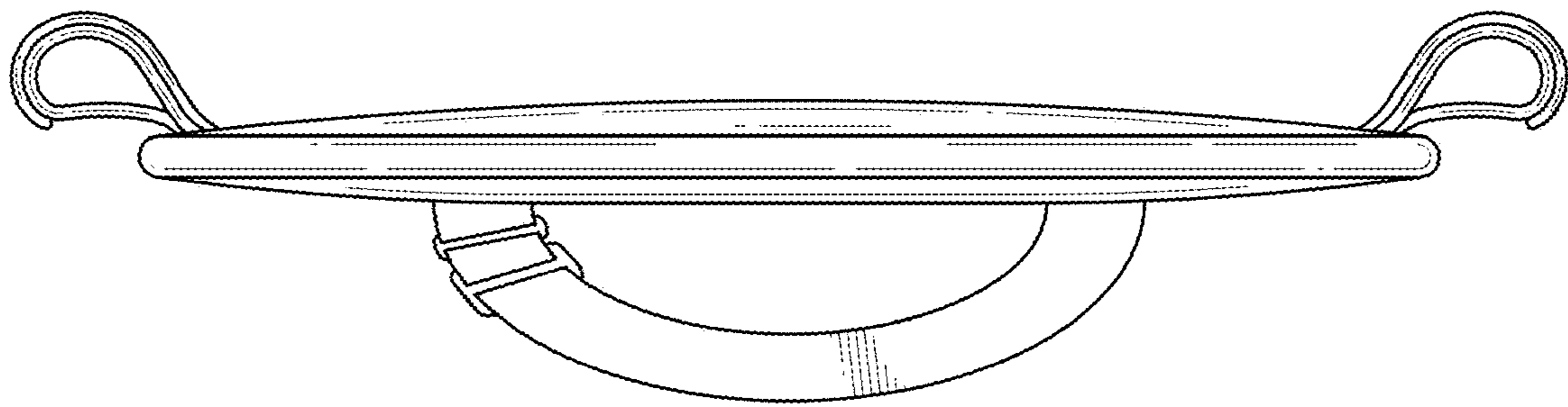


FIG.2

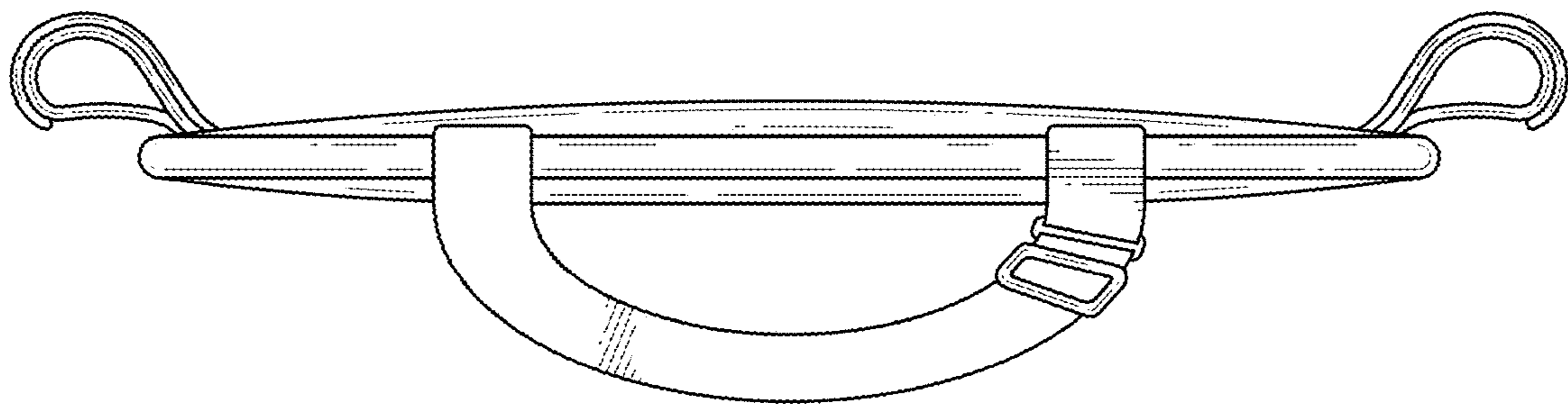


FIG.3

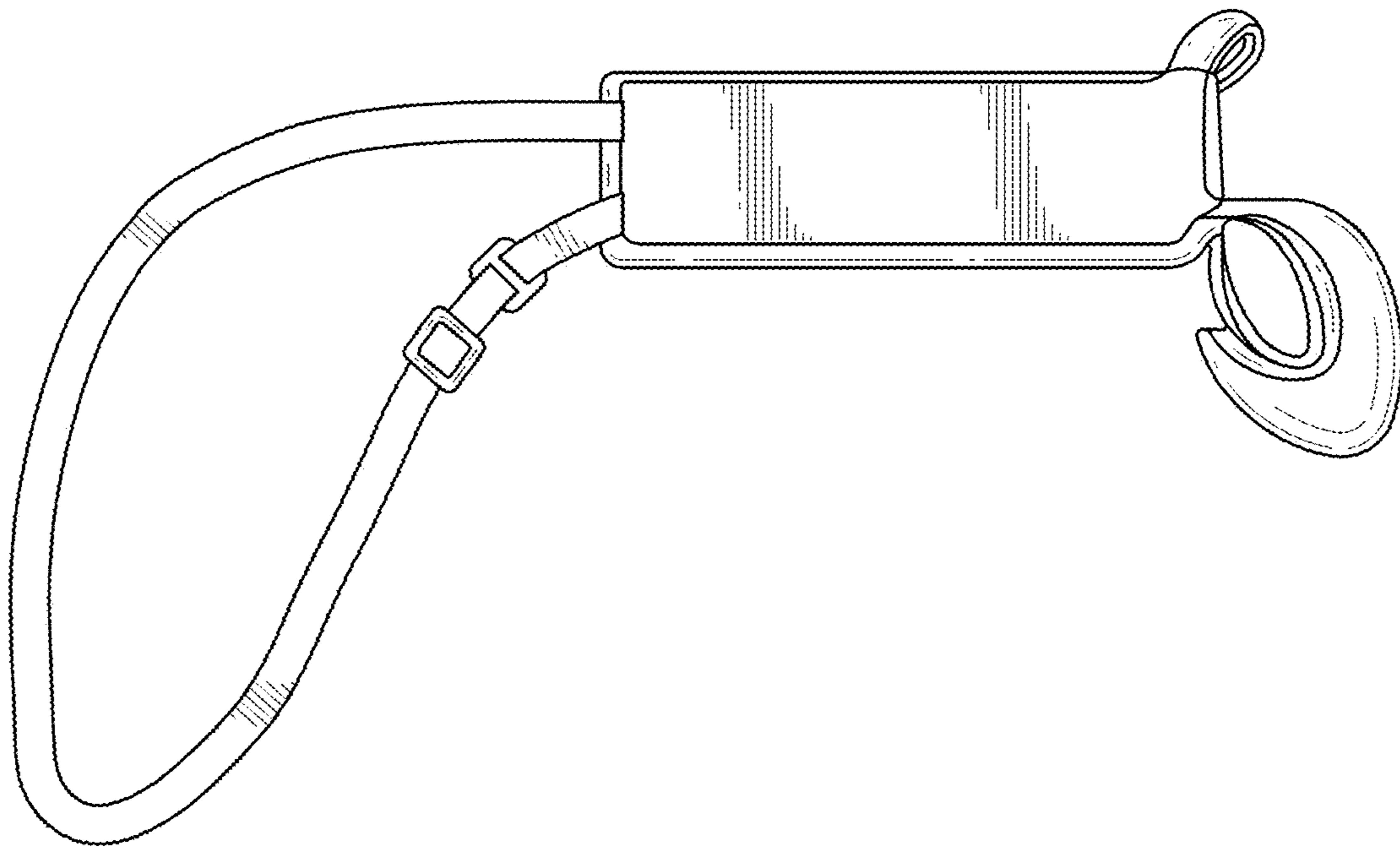


FIG.4

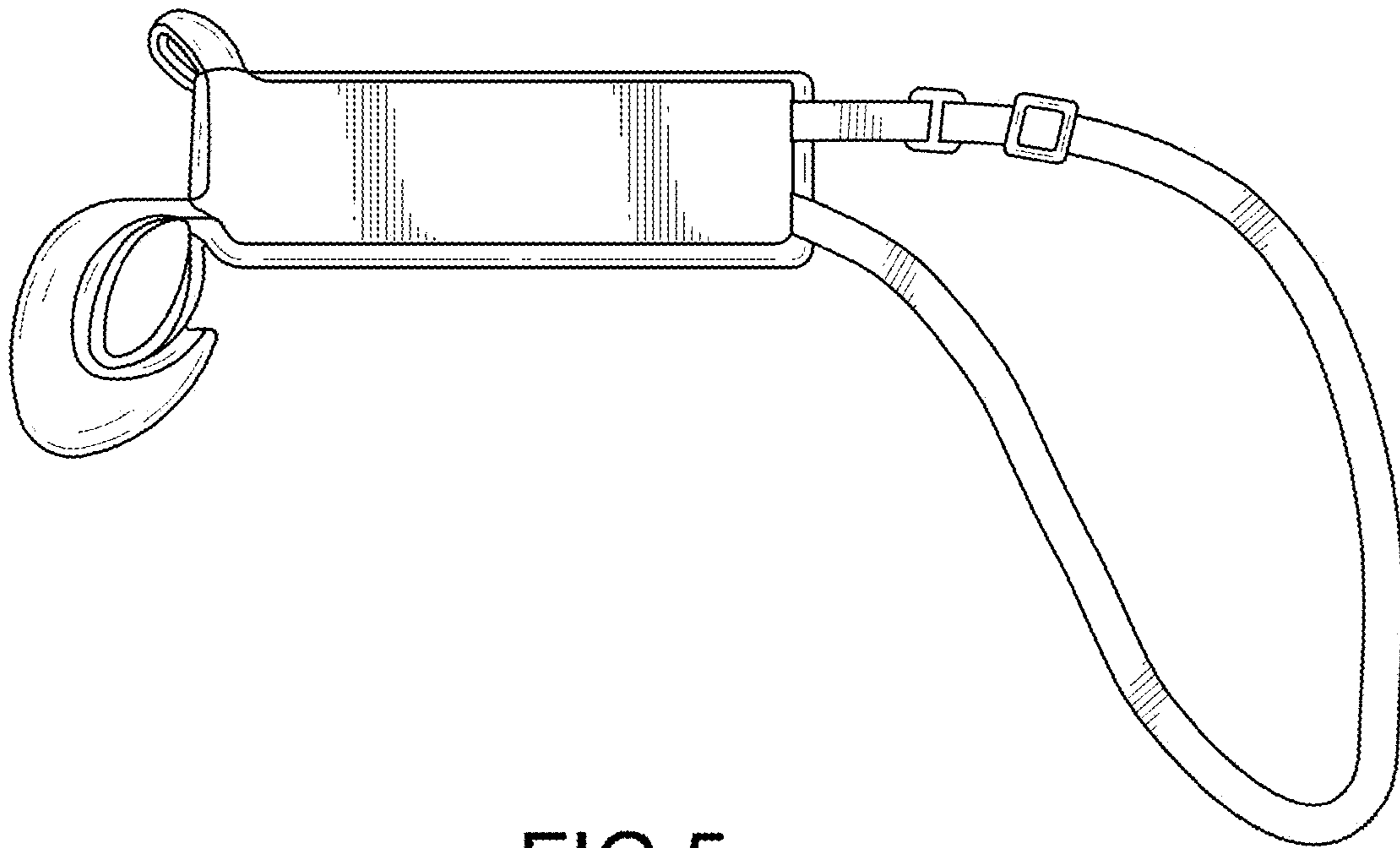


FIG.5

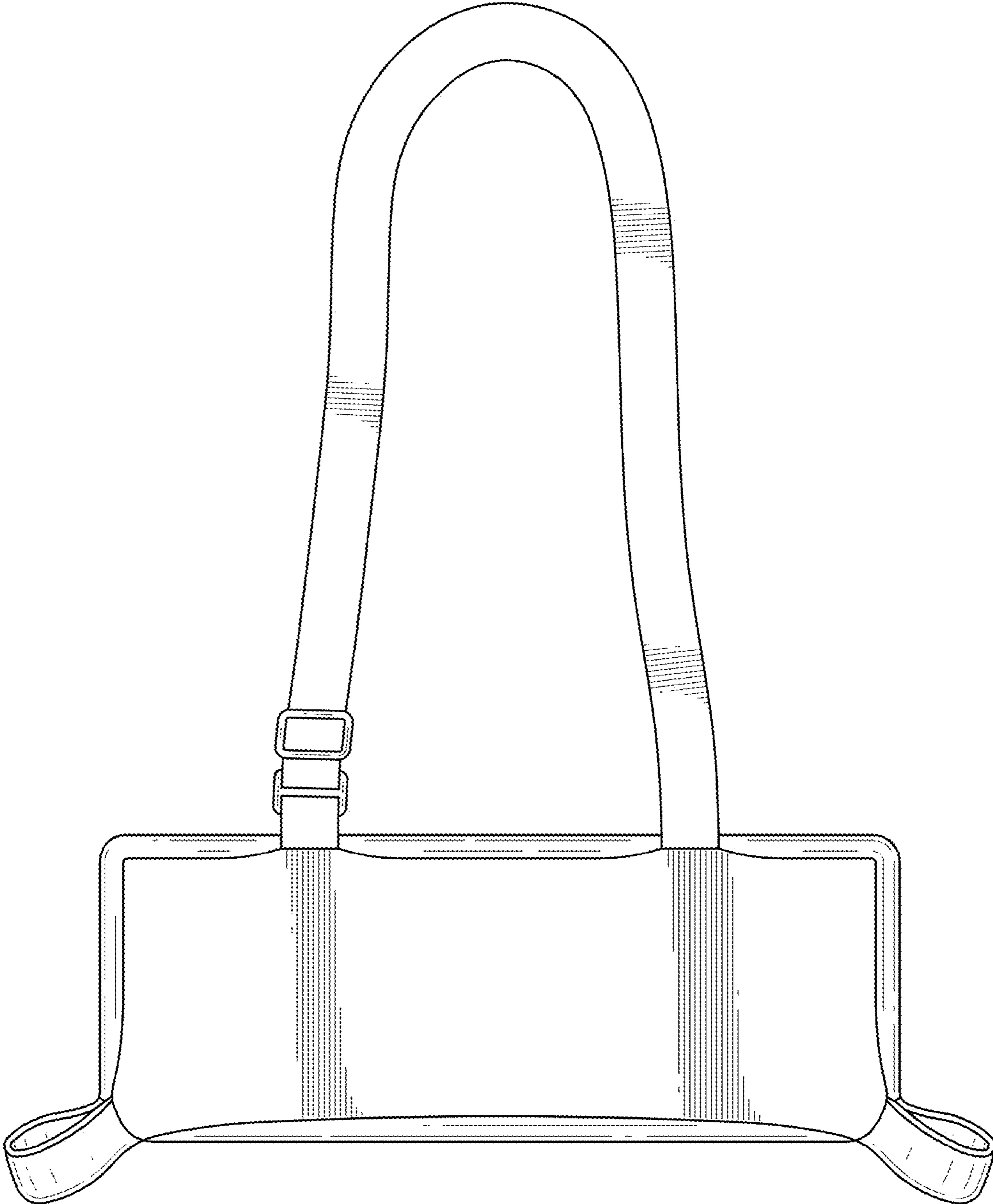


FIG.6

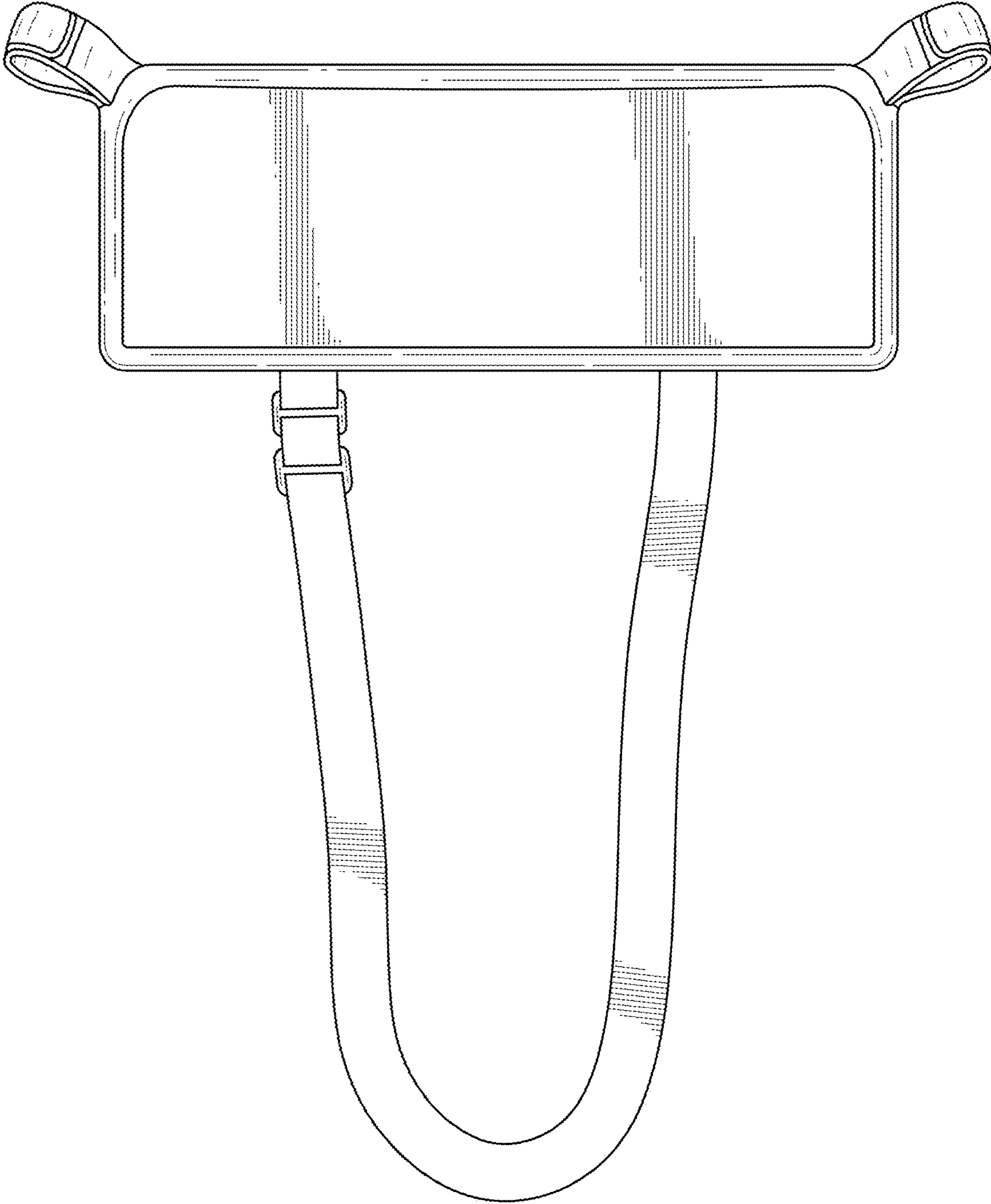


FIG.7