



US00D901193S

(12) **United States Design Patent**
Liu

(10) **Patent No.:** **US D901,193 S**

(45) **Date of Patent:** **** Nov. 10, 2020**

(54) **HANGER**

(71) Applicant: **Haoliang Liu**, Shenzhen (CN)

(72) Inventor: **Haoliang Liu**, Shenzhen (CN)

(**) Term: **15 Years**

(21) Appl. No.: **29/666,068**

(22) Filed: **Oct. 9, 2018**

(51) **LOC (12) Cl.** **06-08**

(52) **U.S. Cl.**
USPC **D6/326**

(58) **Field of Classification Search**
USPC D6/315-328, 512-514; D8/372
CPC A47G 25/28; A47G 25/38; A47G 25/14;
A47G 25/442; A47G 25/483; A47G
25/485; A47G 25/4023; Y10S 223/04;
A47F 5/0006

See application file for complete search history.

(56) **References Cited**

U.S. PATENT DOCUMENTS

- D82,948 S * 12/1930 Livingston D6/318
- 1,815,673 A * 7/1931 Kelley A47G 25/485
211/119
- 1,937,646 A * 12/1933 Fletcher D06F 57/00
211/89.01
- 2,191,022 A * 2/1940 La Veau A47G 25/746
211/89.01

- D142,462 S * 10/1945 Anderson D6/326
- D364,280 S * 11/1995 Maynard D6/326
- D469,262 S * 1/2003 Umbarger D6/320
- D642,389 S * 8/2011 Stumpo D6/326
- D687,637 S * 8/2013 Sheldon D6/326
- 2005/0247652 A1* 11/2005 Barber B25H 3/04
211/89.01

* cited by examiner

Primary Examiner — Lauren R Calve

(74) *Attorney, Agent, or Firm* — Mark M. Friedman

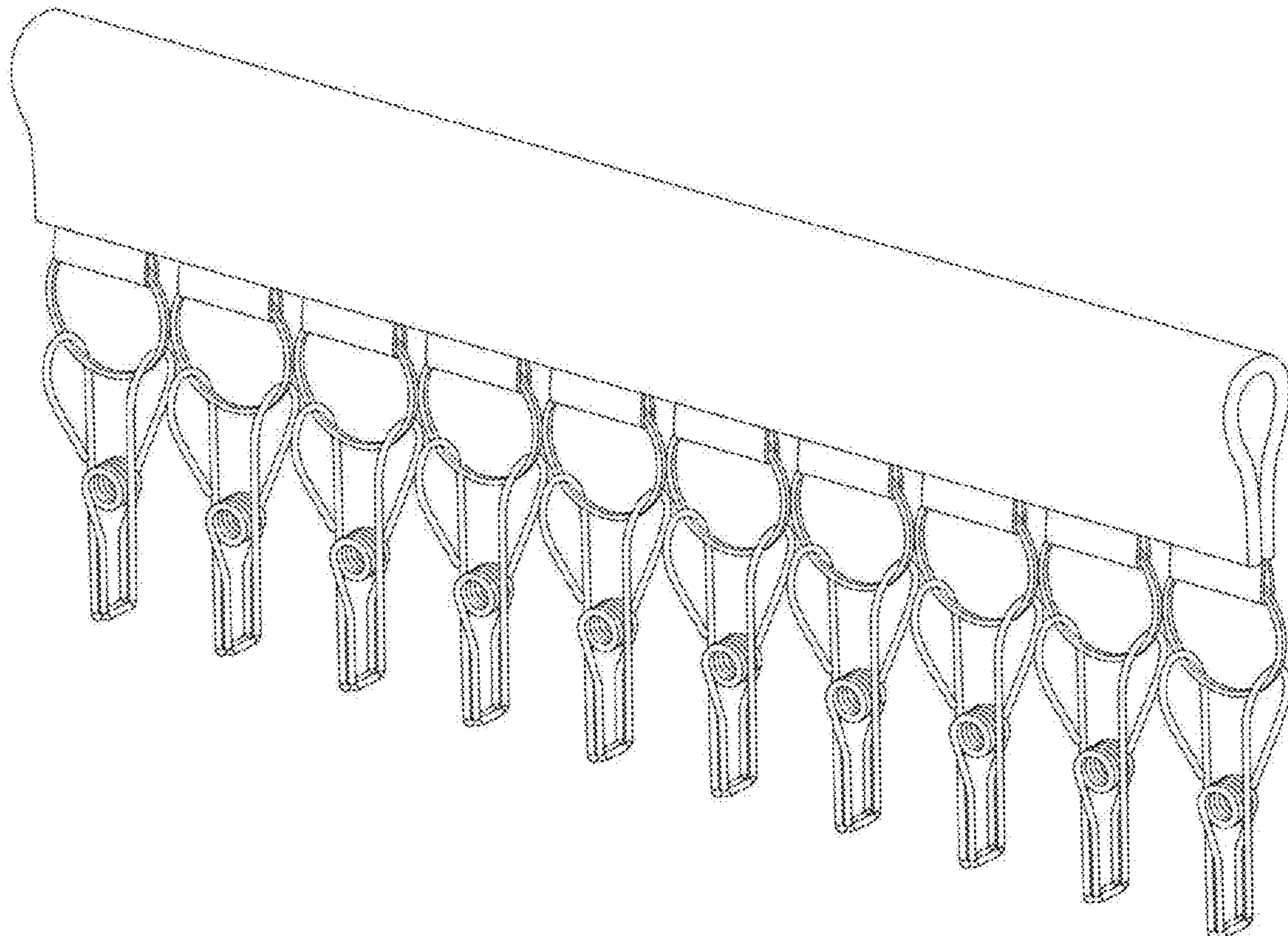
(57) **CLAIM**

The ornamental design for a hanger, as shown and described.

DESCRIPTION

FIG. 1 is a front perspective view of a hanger showing my new design;
 FIG. 2 is a front elevational view thereof;
 FIG. 3 is a rear elevational view thereof;
 FIG. 4 is a left side elevational view thereof;
 FIG. 5 is a right side elevational view thereof;
 FIG. 6 is a top plan view thereof;
 FIG. 7 is a bottom plan view thereof; and,
 FIG. 8 is a front perspective view thereof shown in a partially peeled back configuration.

1 Claim, 8 Drawing Sheets



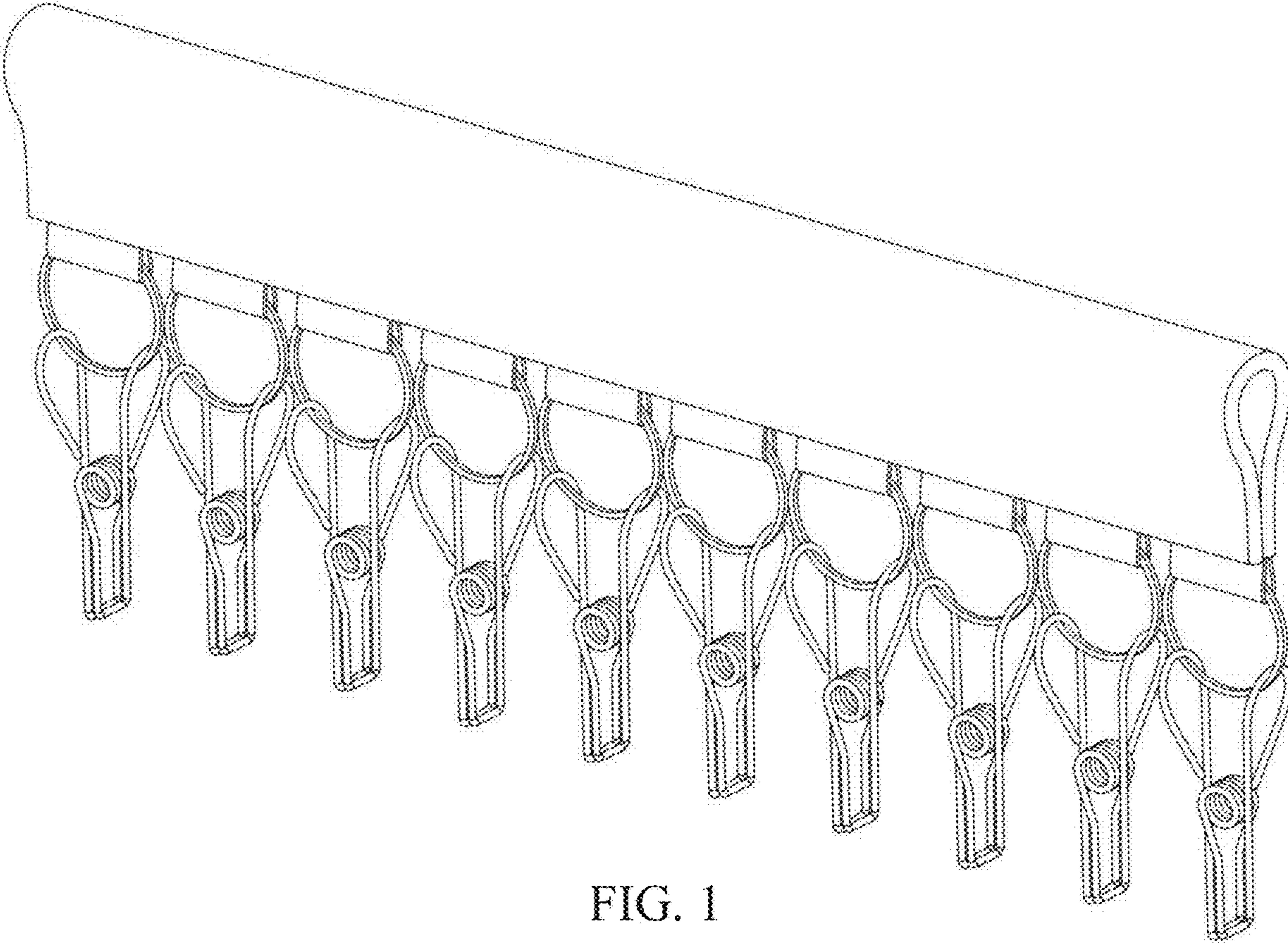


FIG. 1

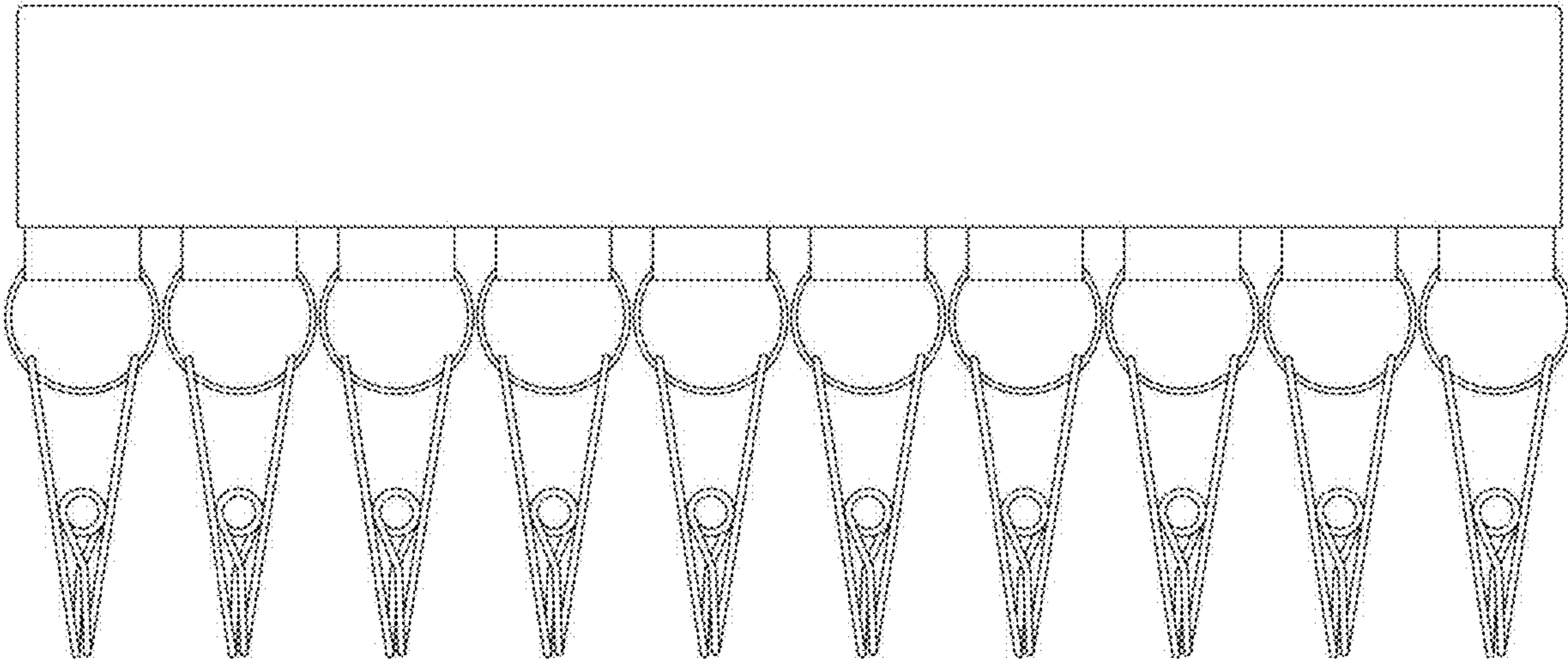


FIG. 2

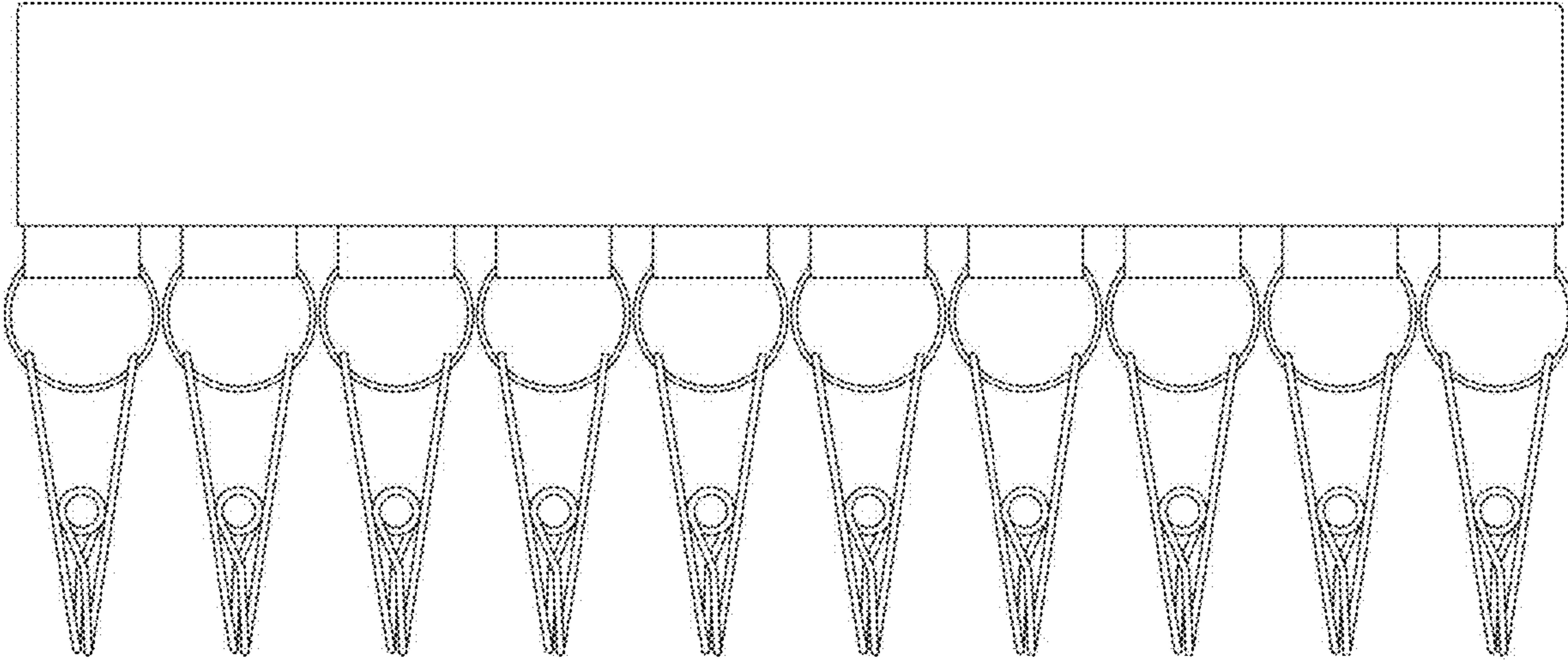


FIG. 3

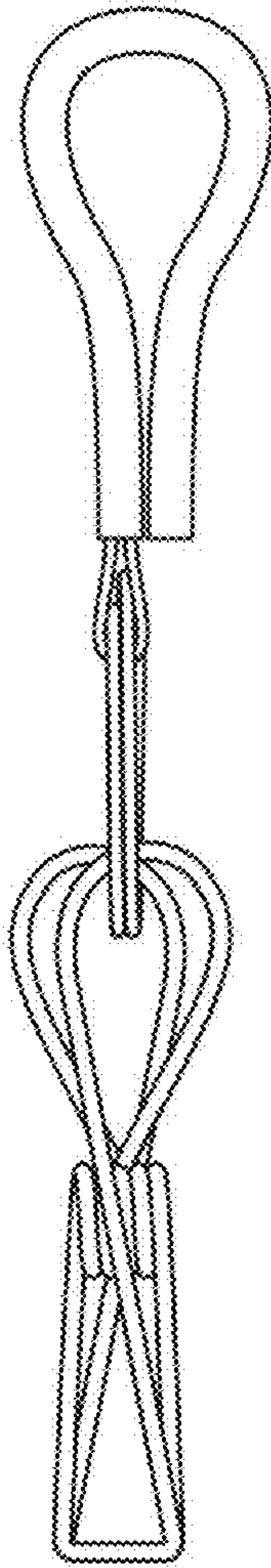


FIG. 4

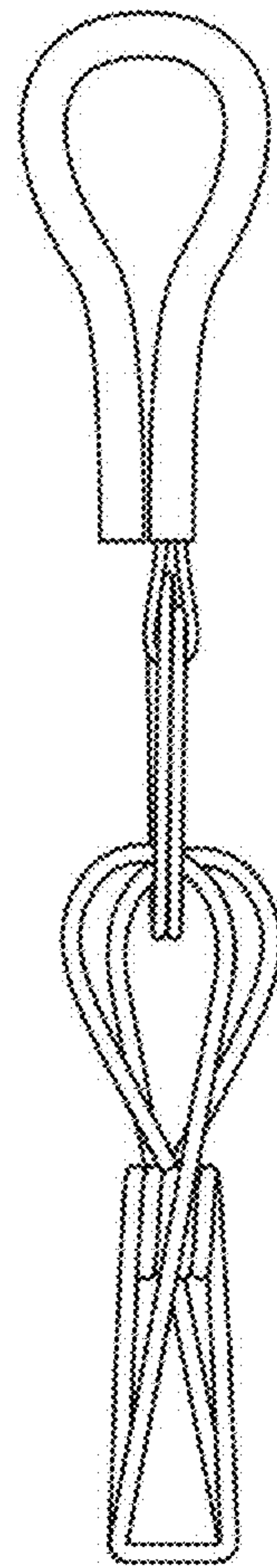


FIG. 5



FIG. 6

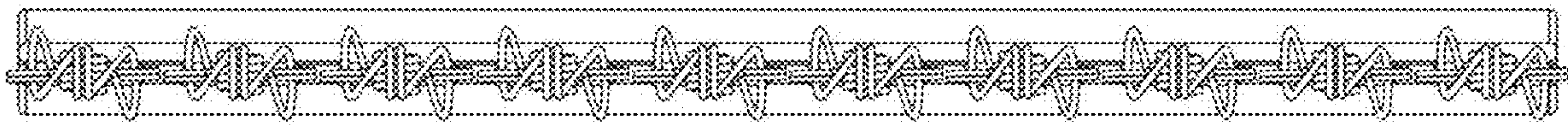


FIG. 7

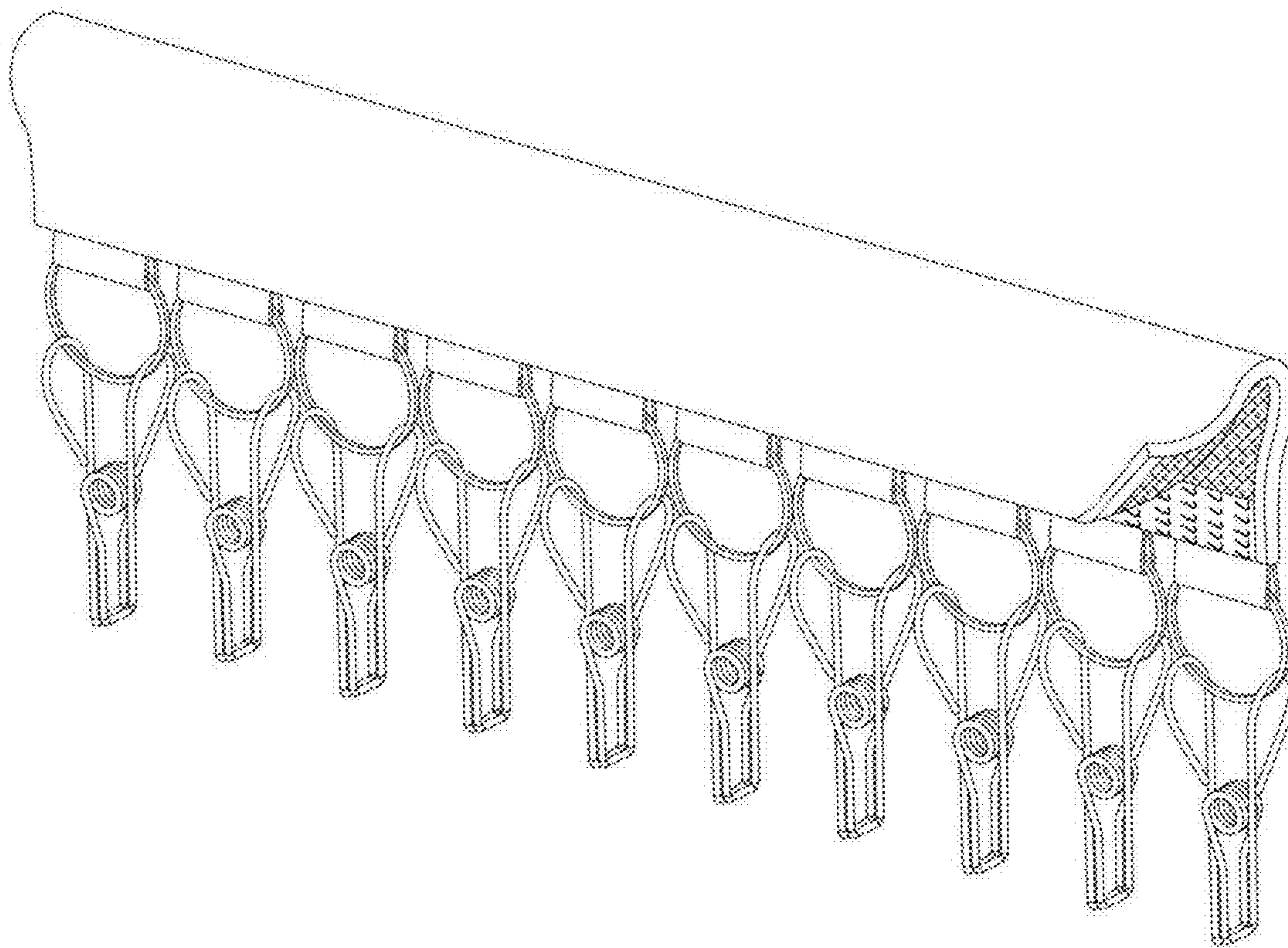


FIG. 8