



US00D901191S

(12) **United States Design Patent**  
**Chu et al.**

(10) **Patent No.:** **US D901,191 S**

(45) **Date of Patent:** **\*\* Nov. 10, 2020**

(54) **DIGITAL PHOTO FRAME**

(71) Applicant: **CREEDON TECHNOLOGIES HK LIMITED**, Hong Kong (HK)

(72) Inventors: **Lawrence Chun Hei Chu**, Yuen Long (HK); **Marcin Wojciech Dudar**, Ma Wan (HK); **Mark Creedon Palfreeman**, Los Altos, CA (US); **So Sum Tang**, Shau kei Wan (HK)

(73) Assignee: **CREEDON TECHNOLOGIES HK LIMITED**, Hong Kong (HK)

(\*\*) Term: **15 Years**

(21) Appl. No.: **29/700,379**

(22) Filed: **Aug. 1, 2019**

(51) **LOC (12) Cl.** ..... **06-07**

(52) **U.S. Cl.**  
USPC ..... **D6/308**; D14/341

(58) **Field of Classification Search**  
USPC ..... D6/300, 301, 302, 303, 304, 307, 308, D6/309, 310, 311, 312, 313, 314; D10/15, 21, 24; D14/336, 341, 371, 372, D14/374, 381, 382, 448, 450; D20/10, D20/27  
CPC ..... A47G 1/0616; A47G 1/142; A47G 2001/0694; A47G 1/06; A47G 1/0605; A47G 1/0633; A47G 1/0638; A47G 1/0644; A47G 1/08; A47G 1/10; A47G 1/14; A47G 1/141; A47G 1/16; A47G 1/1606; A47G 1/1613; A47G 2001/0661; A47G 2001/0672; A47G 2001/0688; A47G 2001/148; G06F 1/1654  
See application file for complete search history.

(56) **References Cited**

**U.S. PATENT DOCUMENTS**

890,357 A \* 6/1908 Hasselbring ..... A47G 1/06 40/777  
D360,531 S \* 7/1995 Griffith ..... D5/1

D488,810 S \* 4/2004 Lin ..... D14/341  
D597,321 S \* 8/2009 Frankel ..... D6/310  
D613,510 S \* 4/2010 Tzeng ..... D14/371  
D625,928 S \* 10/2010 Lee ..... D6/300  
D637,822 S \* 5/2011 Utsunomiya ..... D6/308  
D672,154 S \* 12/2012 Huss ..... D5/56

(Continued)

**FOREIGN PATENT DOCUMENTS**

CN 305790982 \* 9/2019

**OTHER PUBLICATIONS**

Nixplay Seed, announced 2017 [online], [site visited Jun. 29, 2020]. Available from internet, URL: [https://www.amazon.com/Nixplay-Widescreen-Digital-Wi-Fi-W10B/dp/B078NQPCTR?ref\\_ast\\_sto\\_dp](https://www.amazon.com/Nixplay-Widescreen-Digital-Wi-Fi-W10B/dp/B078NQPCTR?ref_ast_sto_dp) (Year: 2017).\*

(Continued)

*Primary Examiner* — Cynthia Ramirez  
*Assistant Examiner* — Xavier Marti-Santos  
(74) *Attorney, Agent, or Firm* — Day Pitney LLP

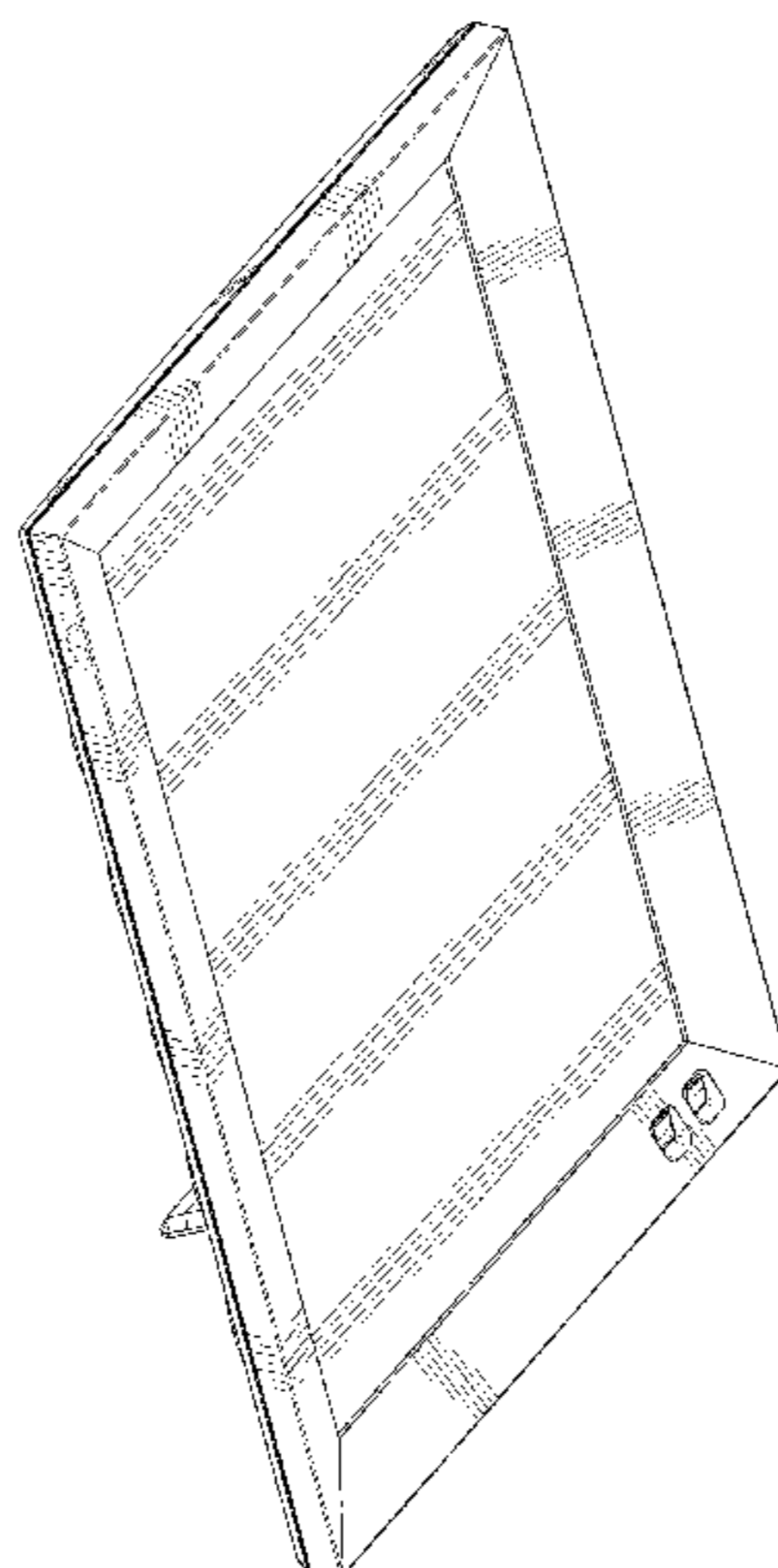
(57) **CLAIM**

The ornamental design for a digital photo frame, as shown and described.

**DESCRIPTION**

FIG. 1 is a front perspective view of my ornamental design for a digital photo frame;  
FIG. 2 is a front elevational view thereof;  
FIG. 3 is a rear elevational view thereof;  
FIG. 4 is a right side elevational view thereof;  
FIG. 5 is a left side elevational view thereof;  
FIG. 6 is a top plan view thereof; and,  
FIG. 7 is a bottom plan view thereof.  
The broken lines in the figures are for the purpose of illustrating portions of the digital photo frame, which form no part of the claimed design.

**1 Claim, 7 Drawing Sheets**



(56)

**References Cited**

U.S. PATENT DOCUMENTS

D802,944 S \* 11/2017 Palfreeman ..... D6/308  
D812,384 S \* 3/2018 Zhu ..... D6/311  
D822,654 S \* 7/2018 Nuk ..... D14/341  
D839,001 S \* 1/2019 Berrios ..... D6/311  
D842,857 S \* 3/2019 Kimura ..... D14/371

OTHER PUBLICATIONS

NIX 10.1 Inch Digital Picture Frame, announced 2019 [online], [site visited Jun. 29, 2020]. Available from internet, URL: <[https://www.amazon.com/NIX-10-1-Digital-Photo-Frame/dp/B07VFFQR13/ref=sr\\_1\\_5?dchild=1&keywords=nixplay&qid=1593462243&sr=8-5](https://www.amazon.com/NIX-10-1-Digital-Photo-Frame/dp/B07VFFQR13/ref=sr_1_5?dchild=1&keywords=nixplay&qid=1593462243&sr=8-5)> (Year: 2019).\*

\* cited by examiner

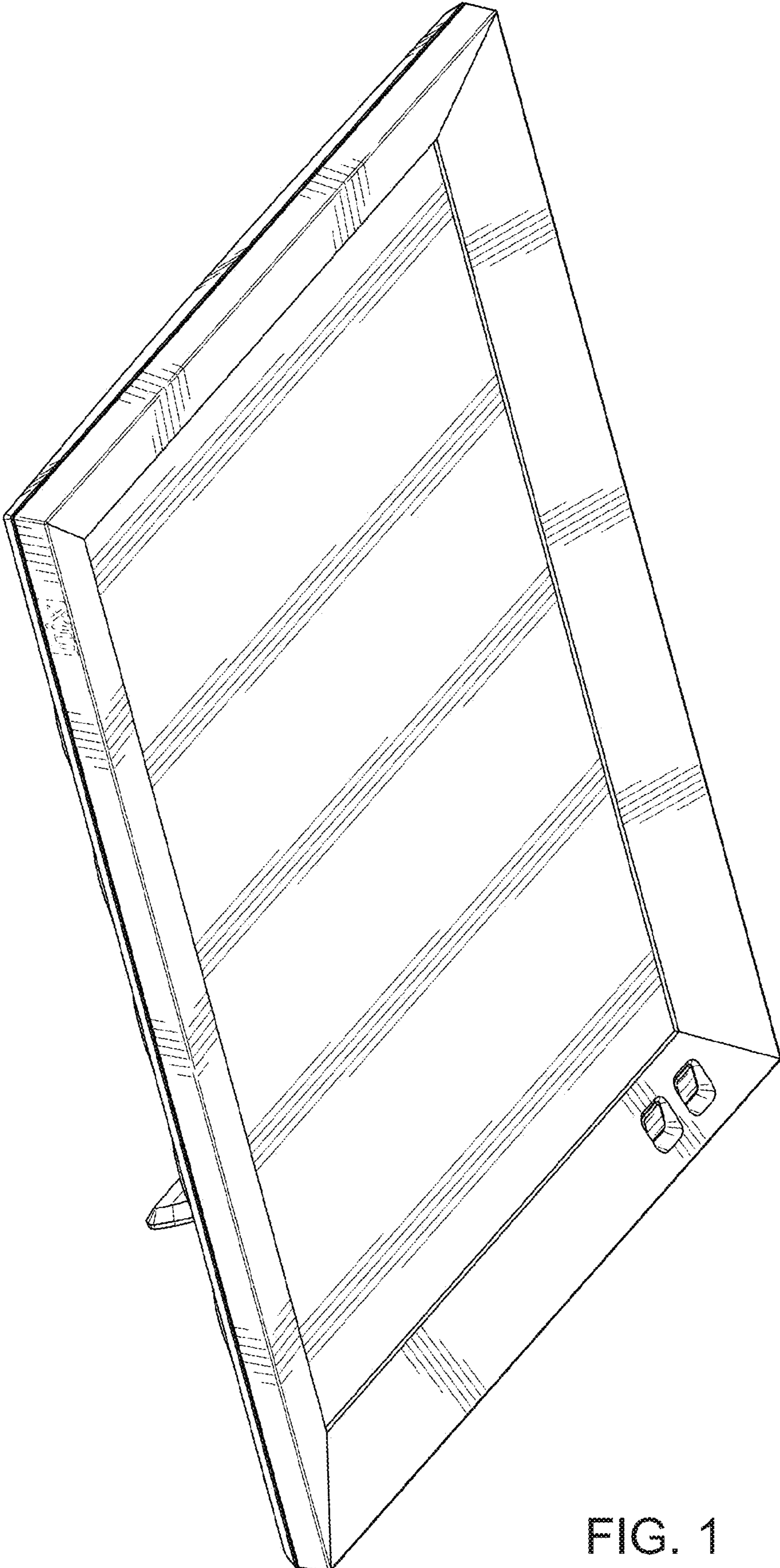


FIG. 1

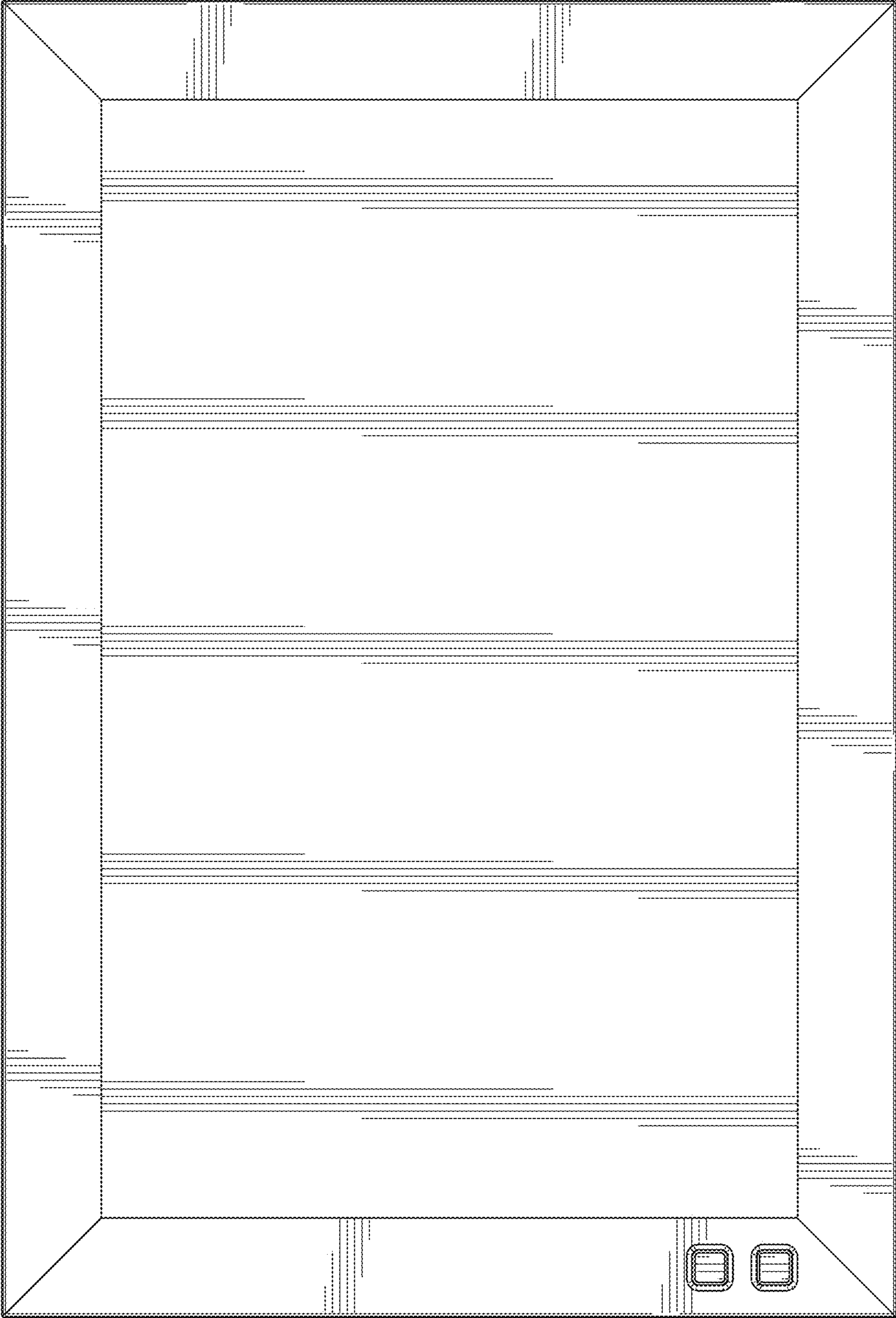


FIG. 2

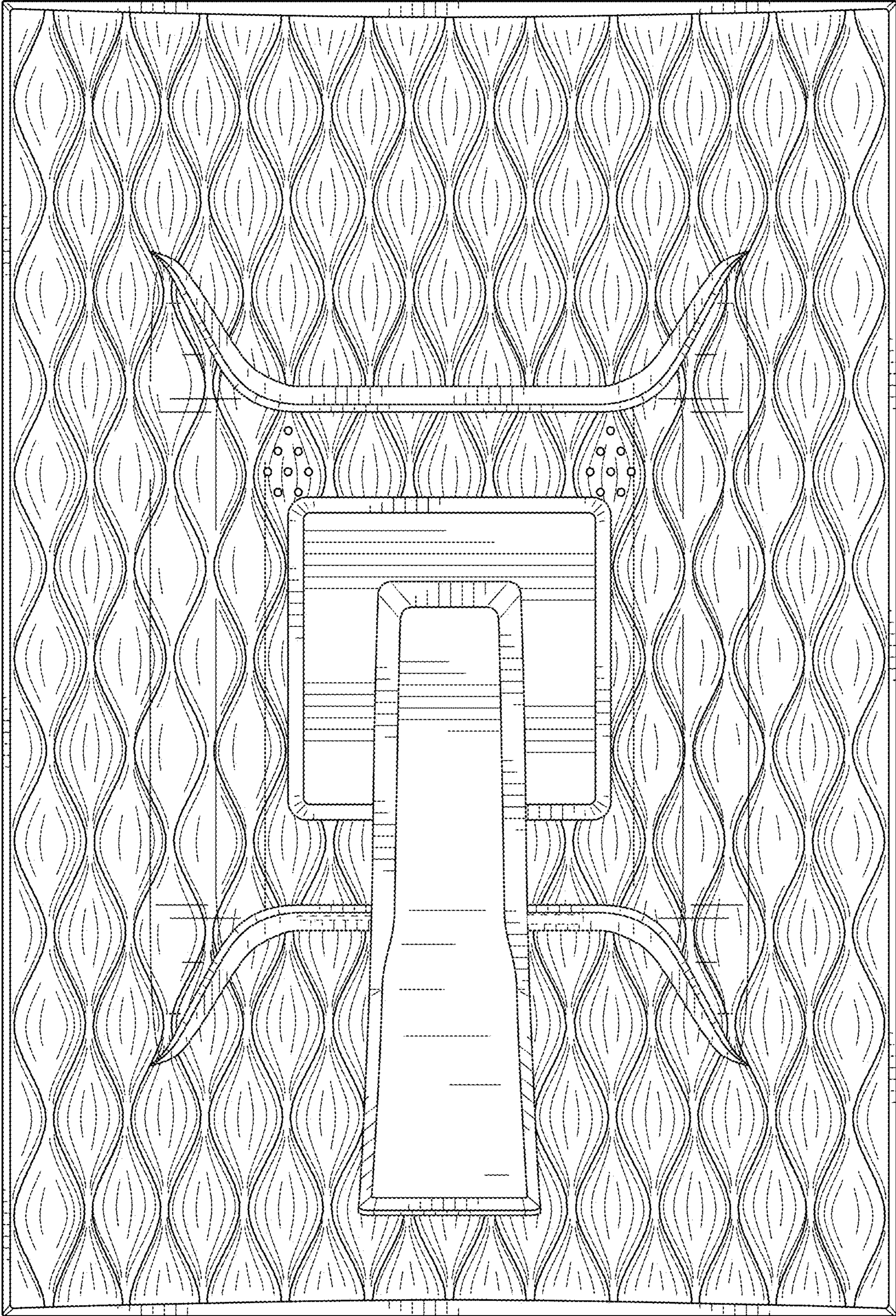


FIG. 3

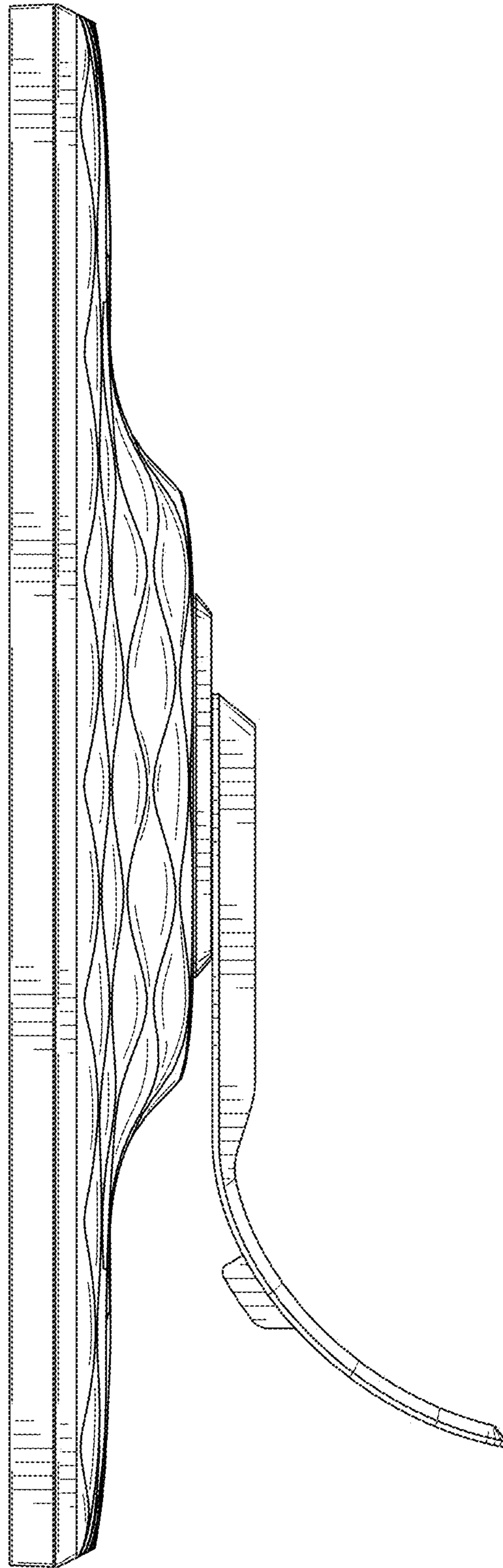


FIG. 4

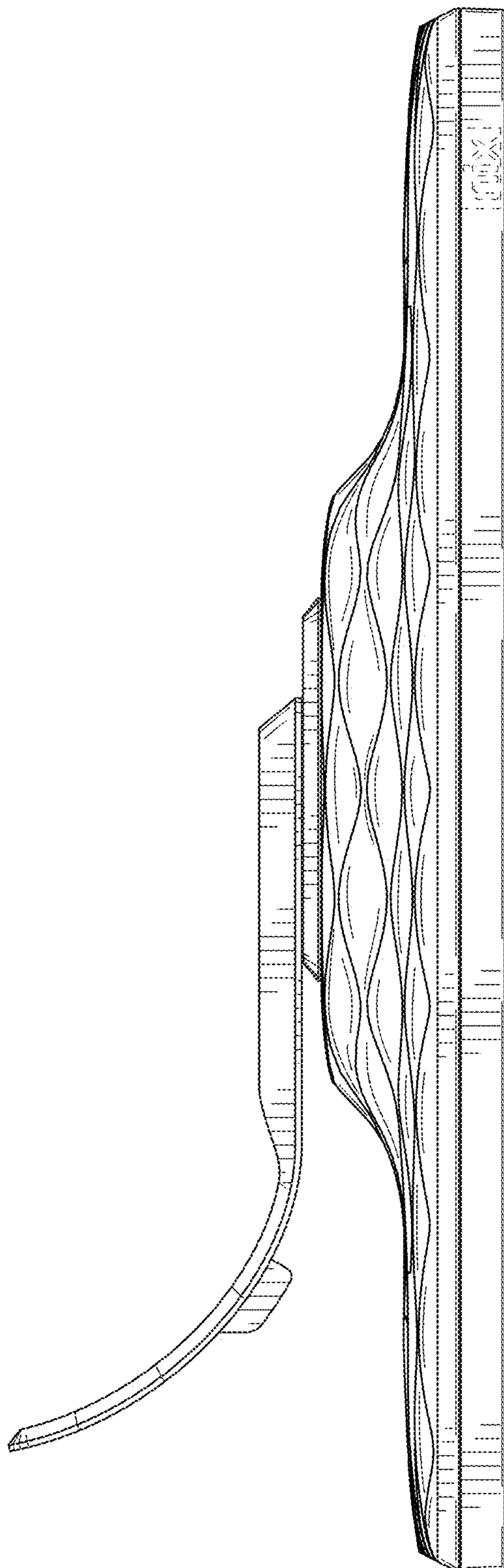


FIG. 5

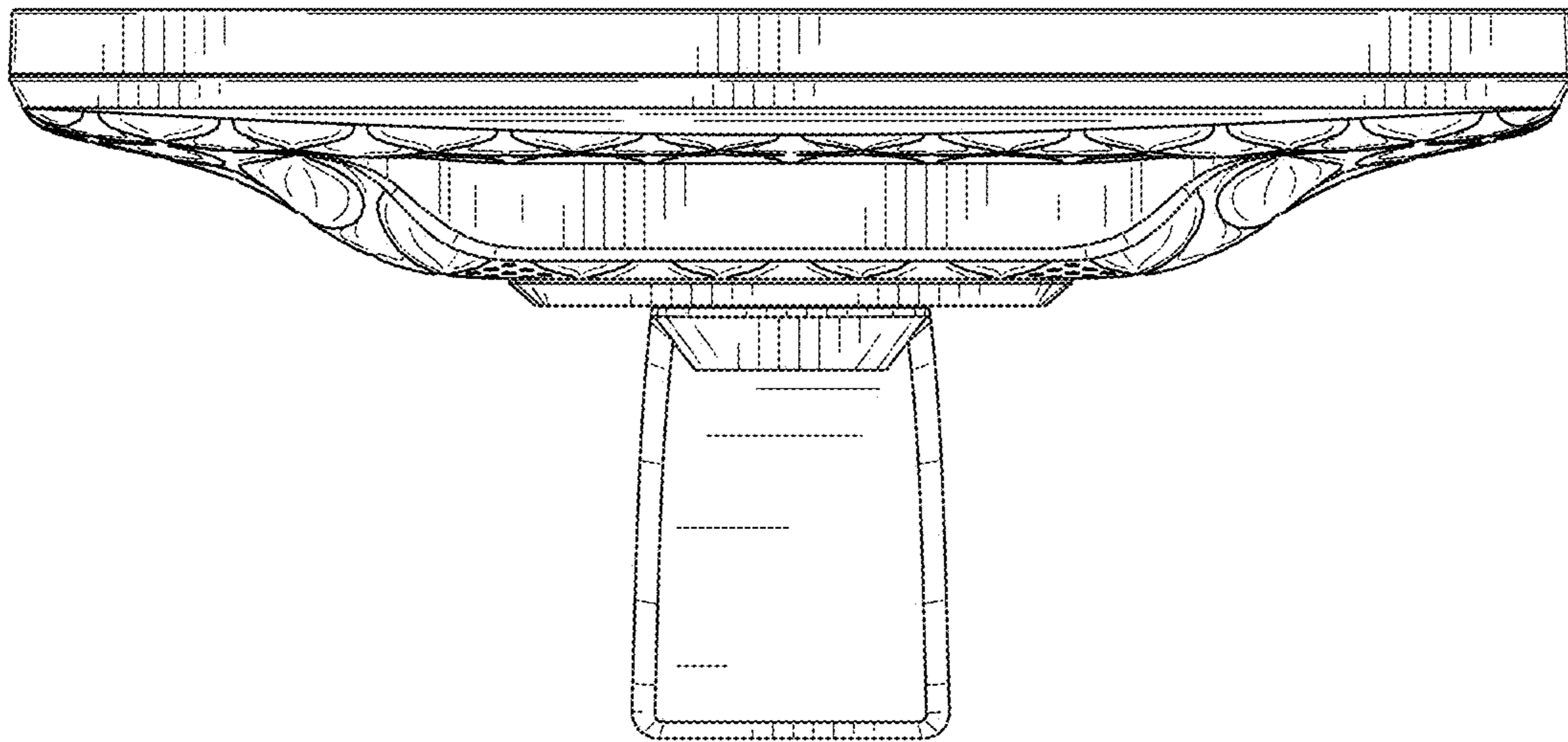


FIG. 6



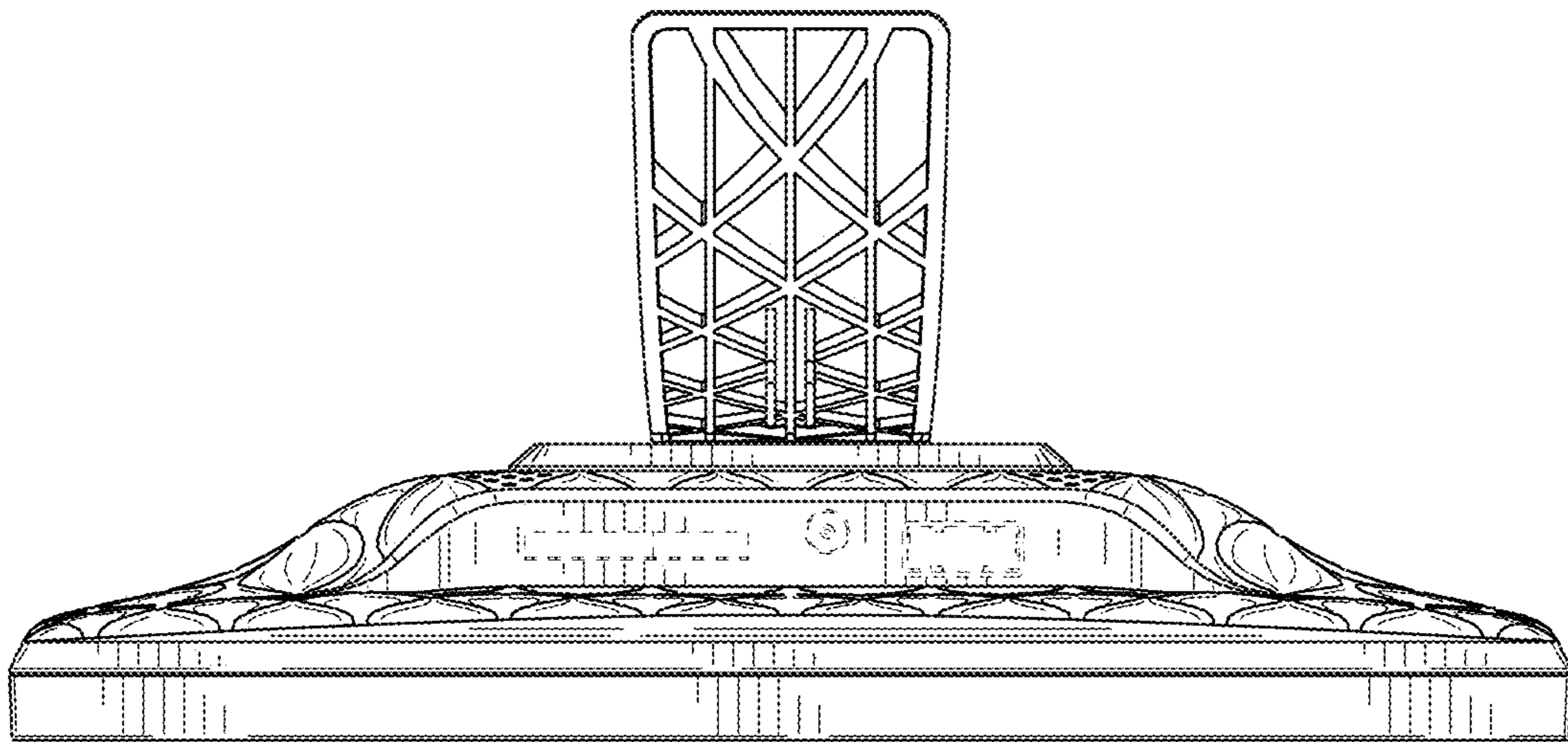


FIG. 7