



US00D901190S

(12) **United States Design Patent**
Horton

(10) **Patent No.:** **US D901,190 S**

(45) **Date of Patent:** **** Nov. 10, 2020**

- (54) **PICTURE FRAME**
- (71) Applicant: **Rocky James Horton**, Chapel Hill, NC (US)
- (72) Inventor: **Rocky James Horton**, Chapel Hill, NC (US)
- (**) Term: **15 Years**
- (21) Appl. No.: **29/660,624**
- (22) Filed: **Aug. 22, 2018**

Related U.S. Application Data

- (63) Continuation-in-part of application No. 29/657,965, filed on Jul. 26, 2018.
- (51) **LOC (12) Cl.** **06-06**
- (52) **U.S. Cl.**
USPC **D6/300**
- (58) **Field of Classification Search**
USPC D6/300-314; D20/40; D19/1, 2; D9/430, 431
CPC A47G 1/141; A47G 1/0633
See application file for complete search history.

(56) **References Cited**

U.S. PATENT DOCUMENTS

- 1,664,111 A * 3/1928 Johnson B65D 5/2042
229/115
- 2,292,744 A * 8/1942 Cross A47G 1/141
40/754
- D137,945 S * 5/1944 Geller et al. D6/301
- D140,181 S * 1/1945 McGonigal D19/34.2
- D181,693 S * 12/1957 Tichnor D6/679
- 3,006,527 A * 10/1961 Lofquist, Jr. B65D 5/18
229/115
- 3,355,828 A * 12/1967 Betz A47G 1/141
40/750

- 3,493,104 A * 2/1970 Tempelhof B65D 5/5023
206/775
- D253,740 S * 12/1979 Dubler D19/91
- D290,554 S * 6/1987 Harwood D6/311
- D293,212 S * 12/1987 Zuliani D9/418
- D293,861 S * 1/1988 Harwood D6/311
- D307,675 S * 5/1990 Jordan D6/300
- D319,667 S * 9/1991 Gray D20/10
- 5,325,960 A * 7/1994 Sims B65D 5/4204
206/301
- 5,439,101 A * 8/1995 Brink A47G 1/141
206/45.24
- D369,473 S * 5/1996 Gluck D6/300
- D380,617 S * 7/1997 Long D6/300
- D384,278 S * 9/1997 Bosworth D9/433
- 5,678,339 A * 10/1997 Marventano A47G 1/141
40/774
- D386,008 S * 11/1997 Wong D6/300
- 5,822,897 A * 10/1998 Ertzan B42D 15/042
40/124.09
- D407,809 S * 4/1999 Hammond D23/366

(Continued)

Primary Examiner — Deanna L Pratt
(74) *Attorney, Agent, or Firm* — Dunlap Bennett & Ludwig, PLLC

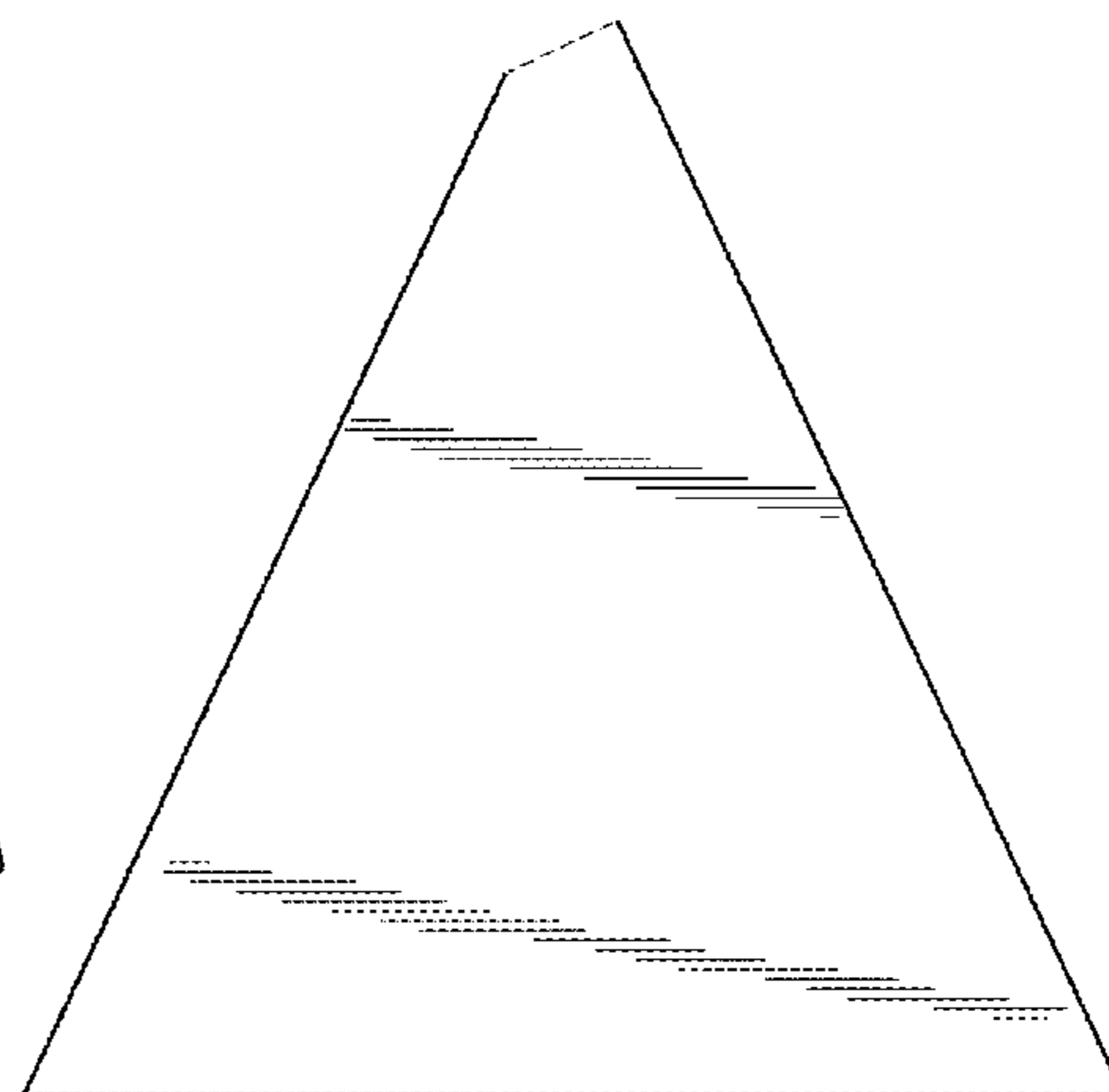
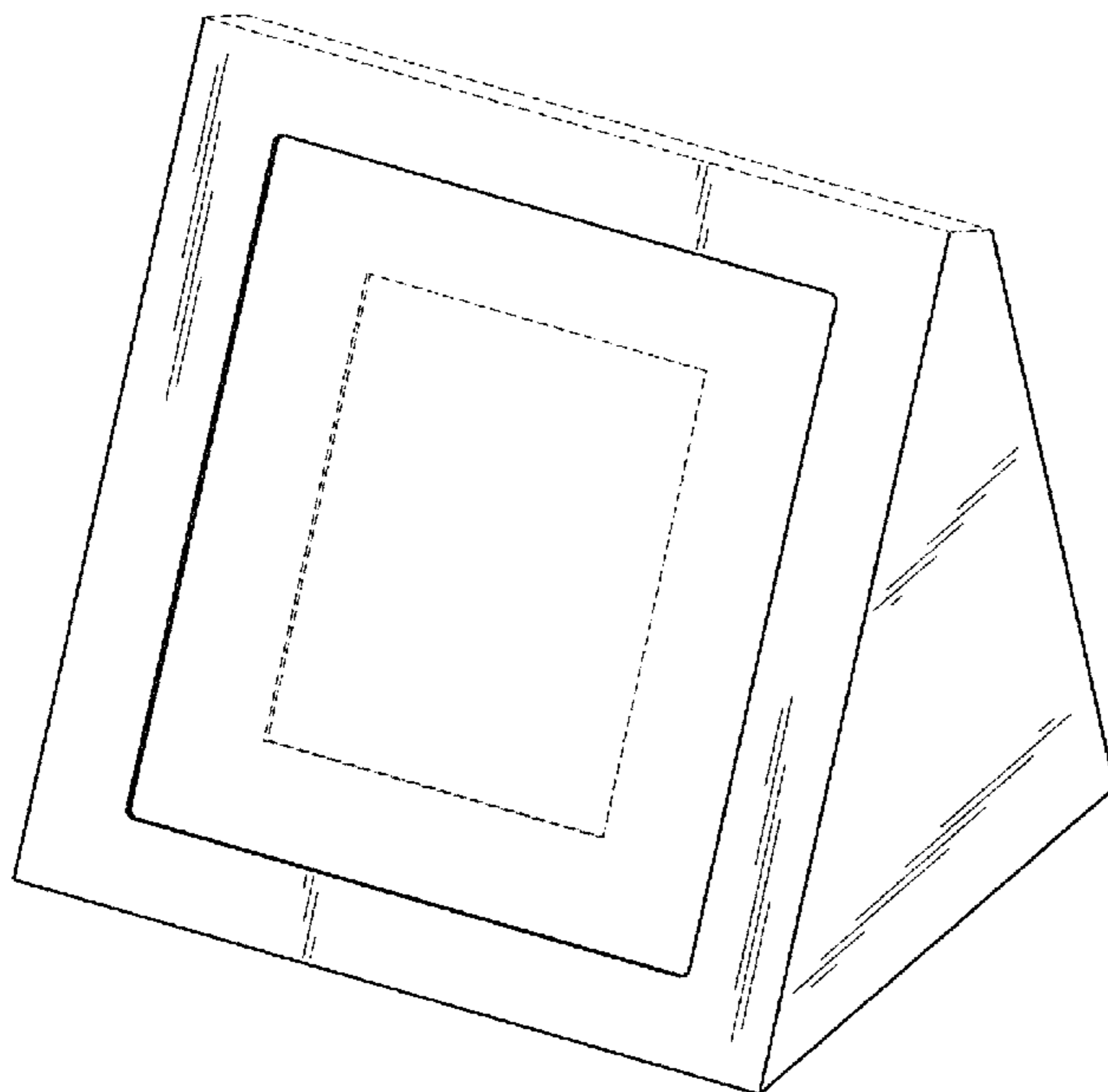
(57) **CLAIM**

The ornamental design for a picture frame, as shown and described.

DESCRIPTION

FIG. 1 is a front perspective view of a picture frame;
FIG. 2 is a front elevation view thereof;
FIG. 3 is a rear elevation view thereof;
FIG. 4 is a left side elevation view thereof, the right side elevation view being a mirror image thereof;
FIG. 5 is a top plan view thereof; and,
FIG. 6 is a bottom plan view thereof.
The broken lines shown in the drawings depict portions of the picture frame that form no part of the claimed invention.

1 Claim, 3 Drawing Sheets



(56)

References Cited

U.S. PATENT DOCUMENTS

D445,263 S * 7/2001 Malamud D6/310
D448,936 S * 10/2001 Duy D6/300
D457,734 S * 5/2002 Chan D6/301
6,427,371 B2 * 8/2002 Olson A47G 1/141
229/115
6,431,365 B1 * 8/2002 Money B65D 5/4204
206/776
D468,115 S * 1/2003 Ong D6/301
D479,660 S * 9/2003 Vinson D6/300
6,612,061 B2 * 9/2003 Janetzke A47G 1/141
40/124.16
6,694,657 B2 * 2/2004 Tsao A47G 1/141
229/71
D519,833 S * 5/2006 Katsuyama D9/431
D525,121 S * 7/2006 Katsuyama D9/431
D527,535 S * 9/2006 Sturba D6/310
D534,360 S * 1/2007 Dempsey D6/312
D541,855 S * 5/2007 Sakaguchi D19/6
7,254,912 B1 * 8/2007 Zigar A47G 1/141
206/459.5
D560,493 S * 1/2008 Katsuyama D9/431
D562,679 S * 2/2008 Katsuyama D9/431
D564,872 S * 3/2008 Kamins D9/418
D596,657 S * 7/2009 Adams D16/241
D641,558 S * 7/2011 Jedrey D6/310
D665,446 S * 8/2012 Mayer D19/2
D678,420 S * 3/2013 Keyvanloo D20/43
D785,089 S * 4/2017 Freeman, Jr. D19/1
D788,579 S * 6/2017 Ogdon D9/431
D798,141 S * 9/2017 Miller D9/418
D807,023 S * 1/2018 Turner D3/203.3
9,898,938 B1 * 2/2018 Perrin G09F 1/06

* cited by examiner

FIG. 1

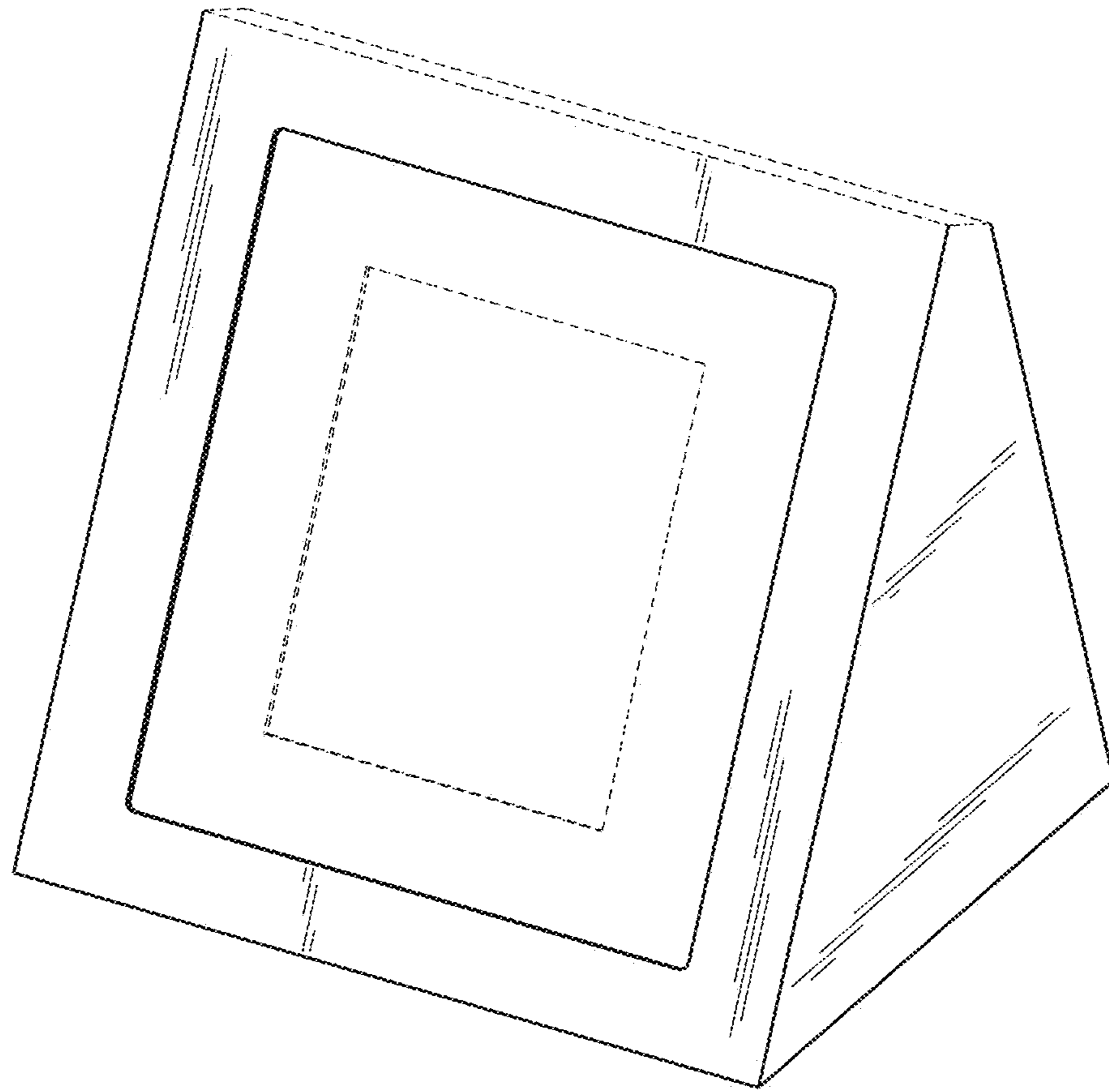


FIG. 2

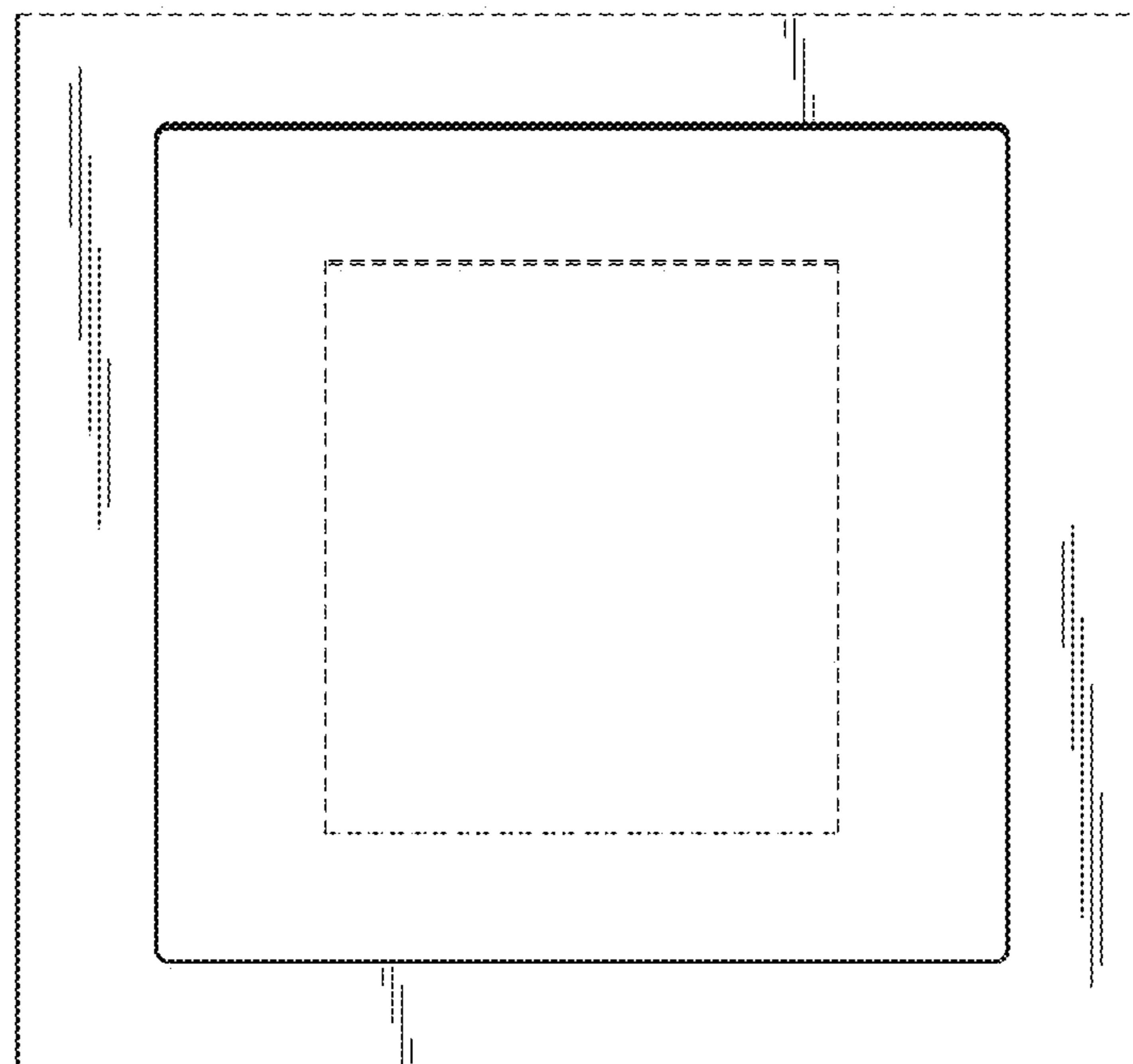


FIG. 3

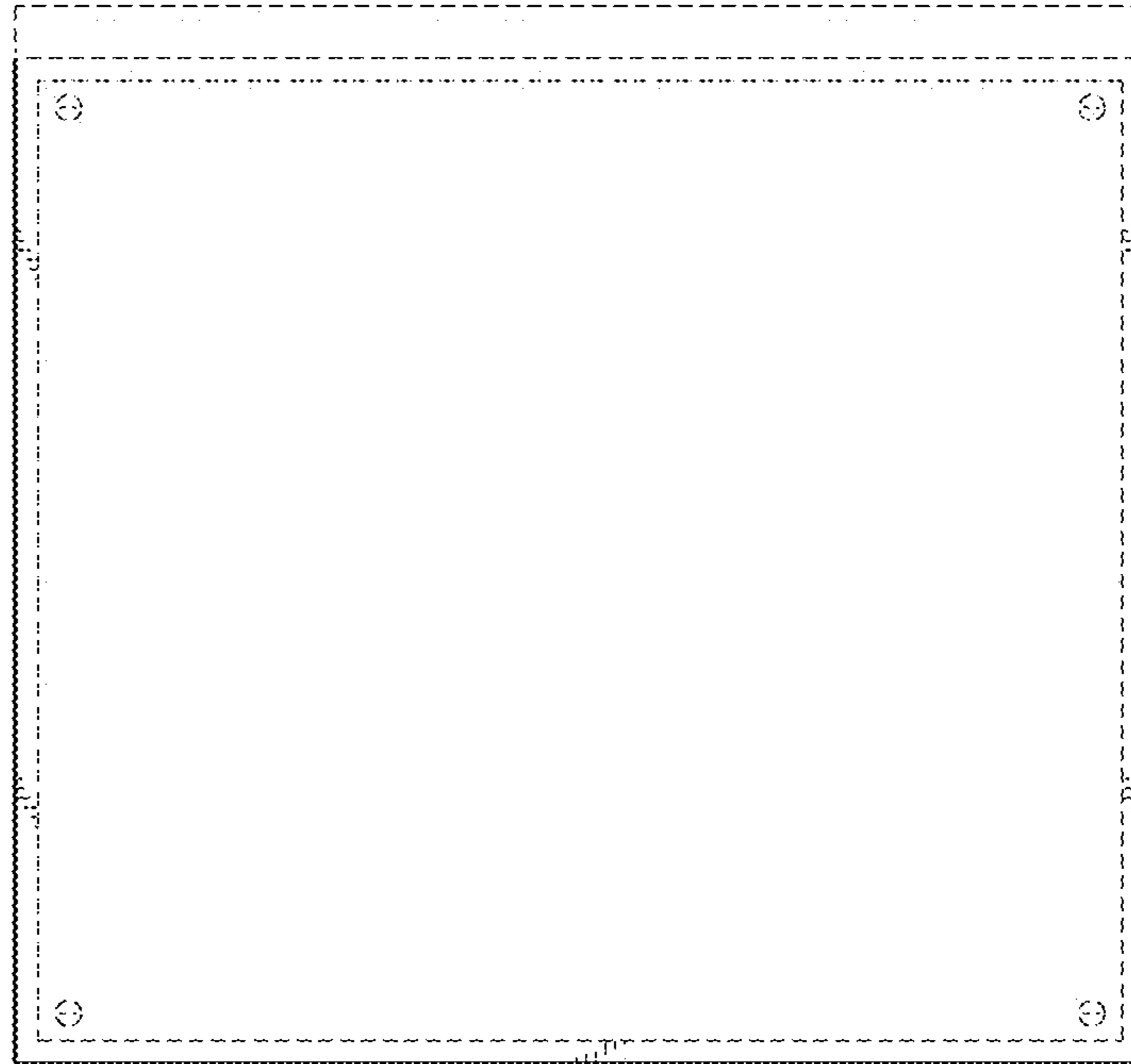


FIG. 4

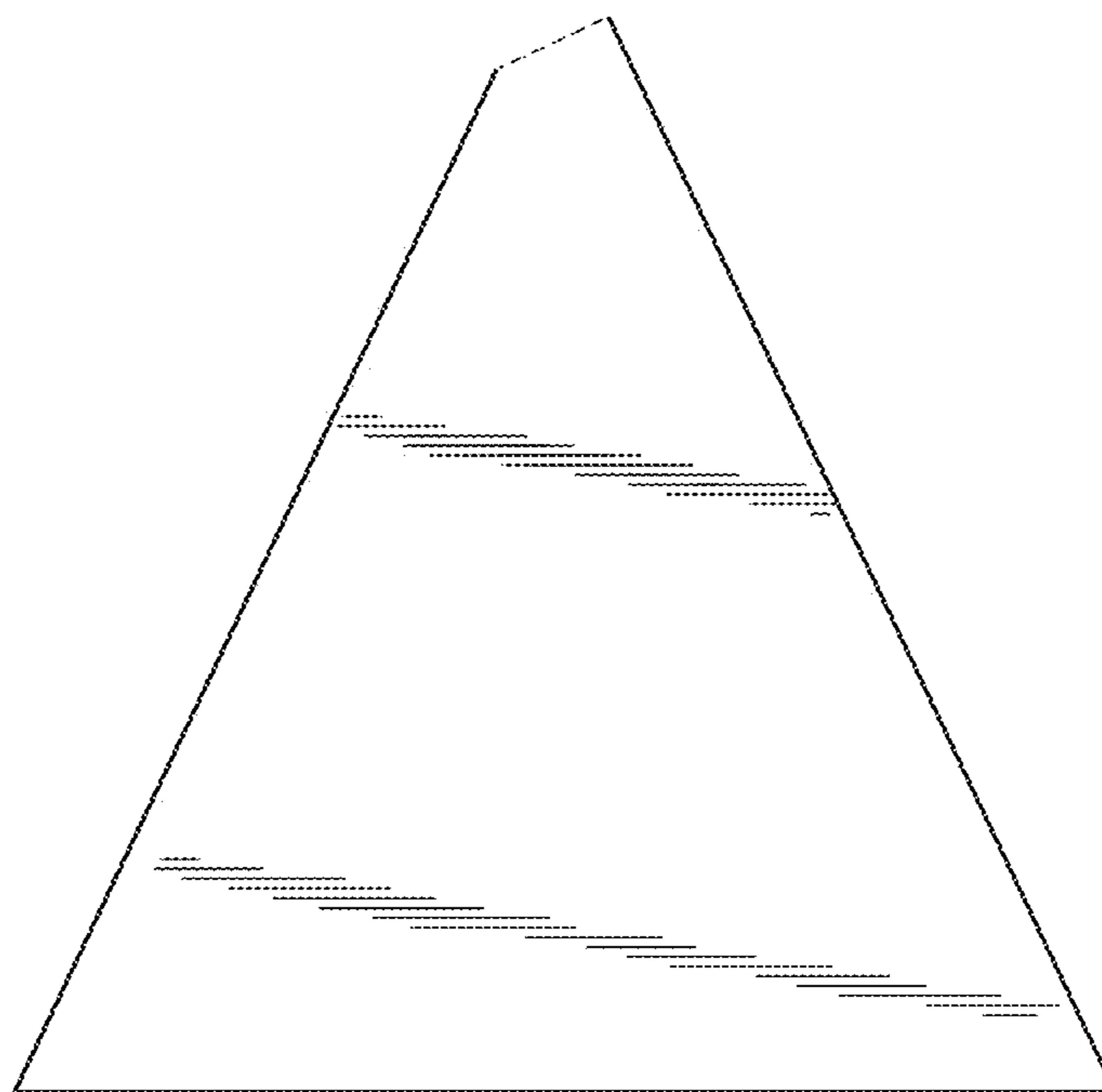


FIG. 5

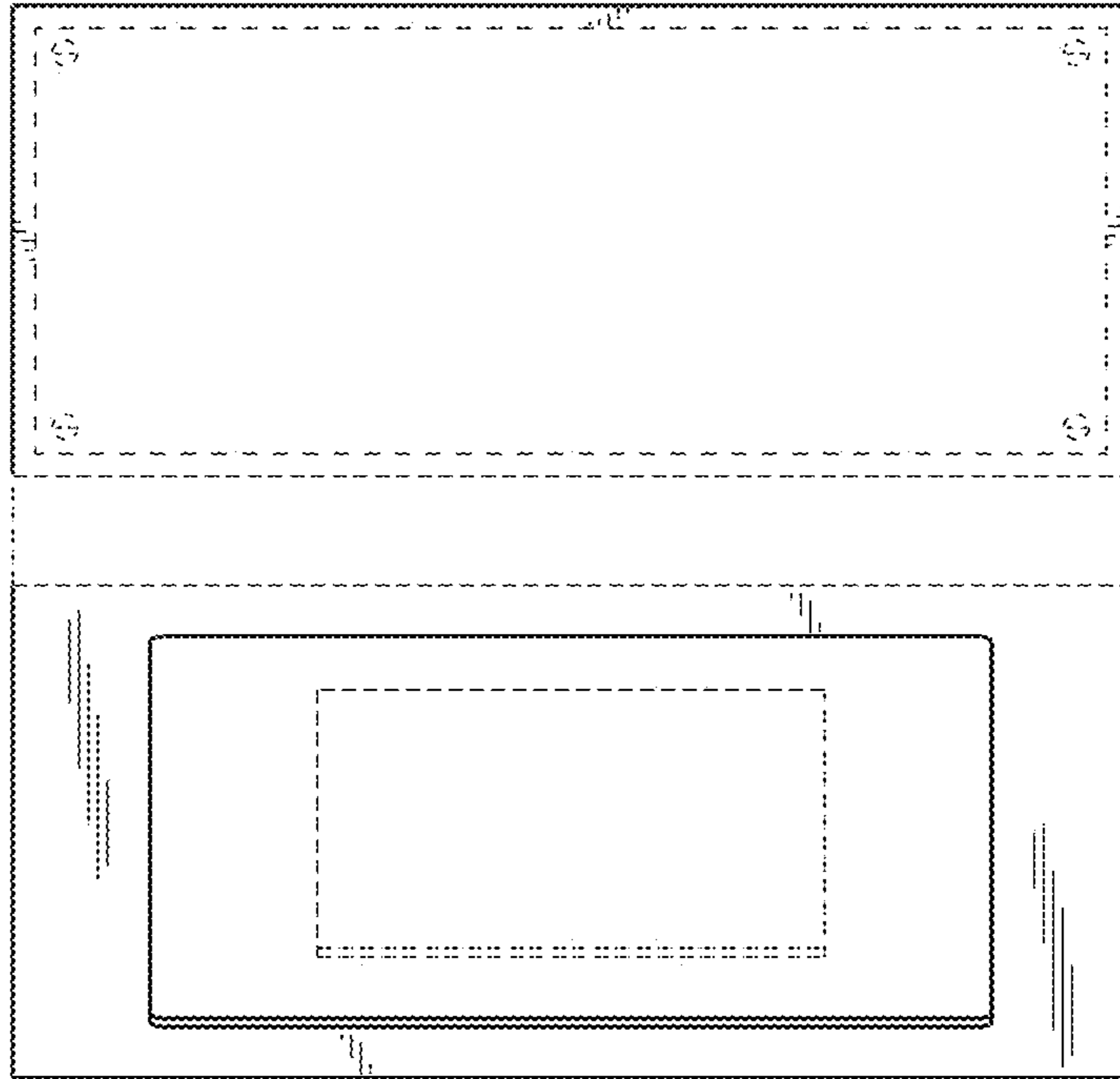


FIG. 6

