



US00D901183S

(12) **United States Design Patent** (10) **Patent No.:** **US D901,183 S**
Jungnickel et al. (45) **Date of Patent:** **** Nov. 10, 2020**

(54) **TOOTHBRUSH** D578,768 S * 10/2008 Geiberger D4/104
7,836,537 B1 * 11/2010 Kumar A46B 9/04
15/22.1

(71) Applicant: **The Gillette Company LLC**, Boston, MA (US) 8,578,544 B2 * 11/2013 Brown, Jr. A46B 15/0032
15/110

(72) Inventors: **Uwe Jungnickel**, Koenigstein Taunus (DE); **Dominik Langhammer**, Frankfurt (DE) D776,936 S * 1/2017 Fretwell D4/104
D793,735 S * 8/2017 Zavalloni D4/102
D794,336 S * 8/2017 Zavalloni D4/102
D815,838 S * 4/2018 Xi D4/104
D833,753 S * 11/2018 Axelrod D4/119

(73) Assignee: **The Gillette Company LLC**, Boston, MA (US) 10,426,249 B2 * 10/2019 Hohlbein A46B 1/00
10,548,392 B2 * 2/2020 Robinson A46B 3/08
D880,165 S * 4/2020 Oh D4/104
D880,166 S * 4/2020 Oh D4/104
10,631,623 B2 * 4/2020 Kraemer A46D 1/0276

(**) Term: **15 Years** 2005/0268414 A1 * 12/2005 Kim A46B 9/04
15/167.1

(21) Appl. No.: **29/704,079** 2020/0077778 A1 * 3/2020 Jungnickel A46B 9/025

(22) Filed: **Aug. 30, 2019**

* cited by examiner

(30) **Foreign Application Priority Data**

Mar. 22, 2019 (WO) 970011959

(51) **LOC (12) Cl.** **04-02**

(52) **U.S. Cl.**
USPC **D4/104**

(58) **Field of Classification Search**
USPC D4/100, 101, 102, 104, 105, 106, 107,
D4/108, 109, 110, 111, 112, 113, 114,
D4/115, 116, 119, 130, 132, 133, 134,
D4/136, 137, 138, 199
CPC ... A46B 2200/1066; A46B 5/02; A61C 17/16;
A61C 17/22
See application file for complete search history.

(56) **References Cited**

U.S. PATENT DOCUMENTS

D334,844 S * 4/1993 Lunderman D4/138
6,546,586 B2 * 4/2003 Cho A46B 9/06
15/167.1

Primary Examiner — Karen E Eldridge Powers
(74) *Attorney, Agent, or Firm* — Vladimir Vitenberg

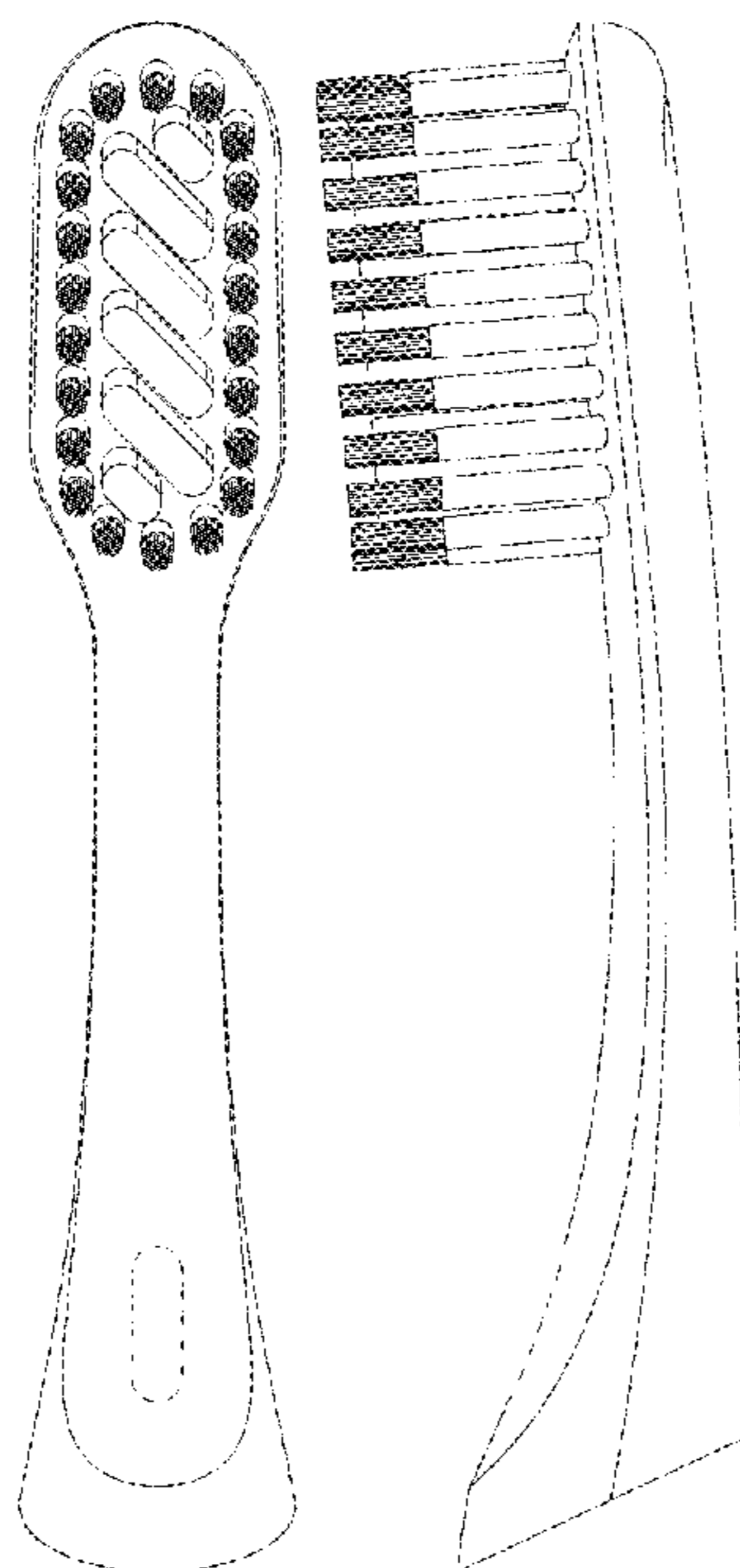
(57) **CLAIM**

The ornamental design for a toothbrush, as shown and described.

DESCRIPTION

FIG. 1 is a perspective view of a toothbrush;
FIG. 2 is a front elevation view thereof;
FIG. 3 is a right side elevation view thereof;
FIG. 4 is a rear elevation view thereof;
FIG. 5 is a left side elevation view thereof;
FIG. 6 is a top plan view thereof; and,
FIG. 7 is a bottom plan view thereof.
The broken lines illustrate environmental structure and form no part of the claimed design.

1 Claim, 1 Drawing Sheet



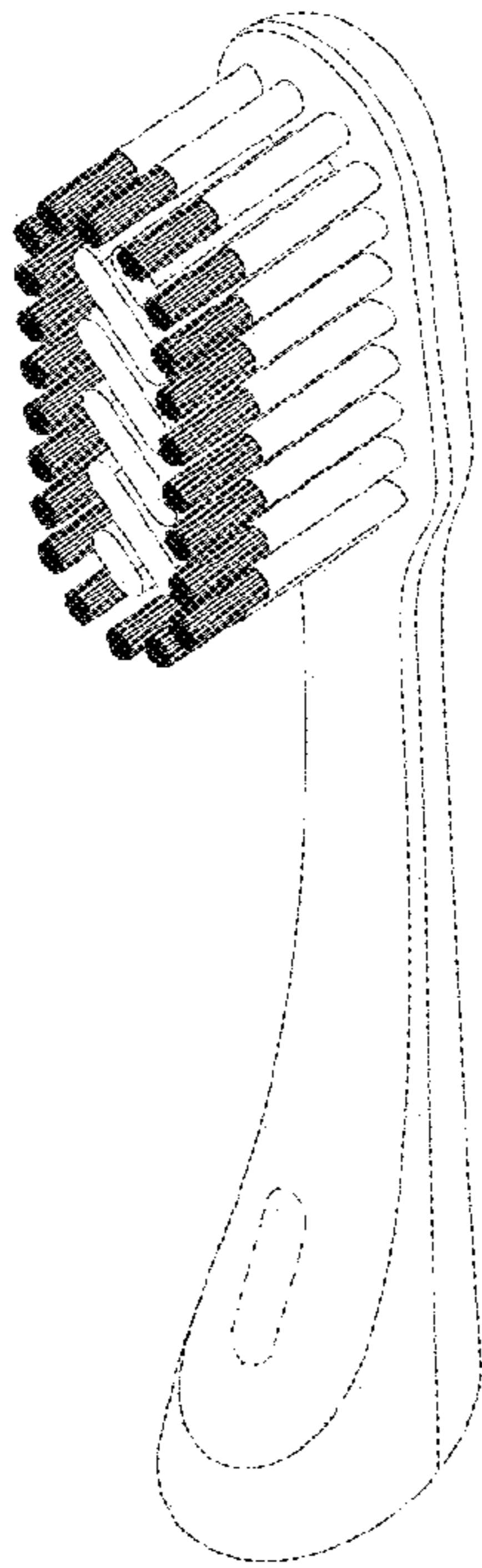


FIG. 1

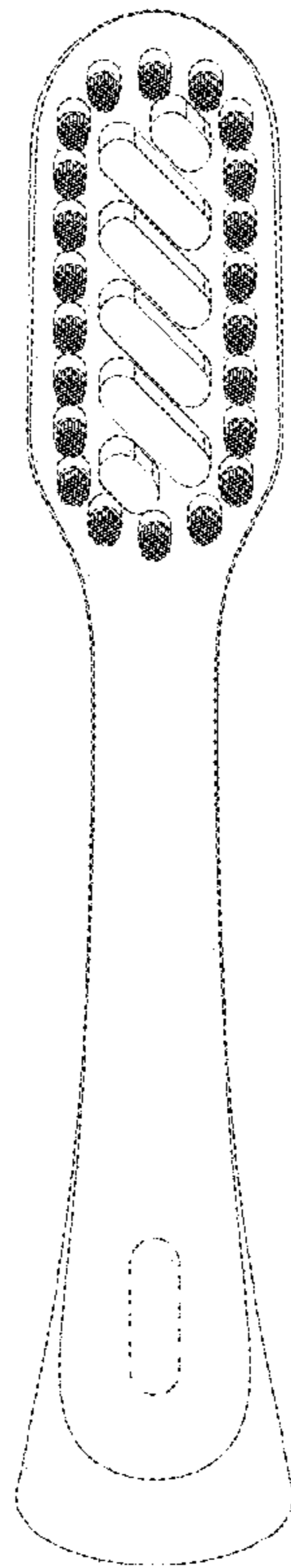


FIG. 2

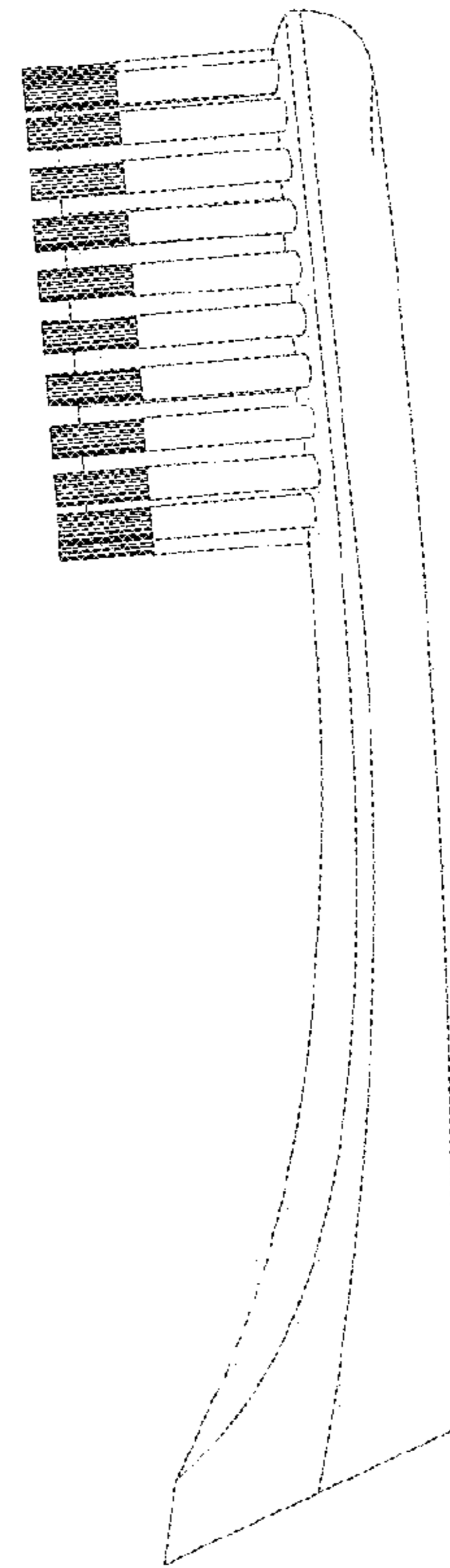


FIG. 3

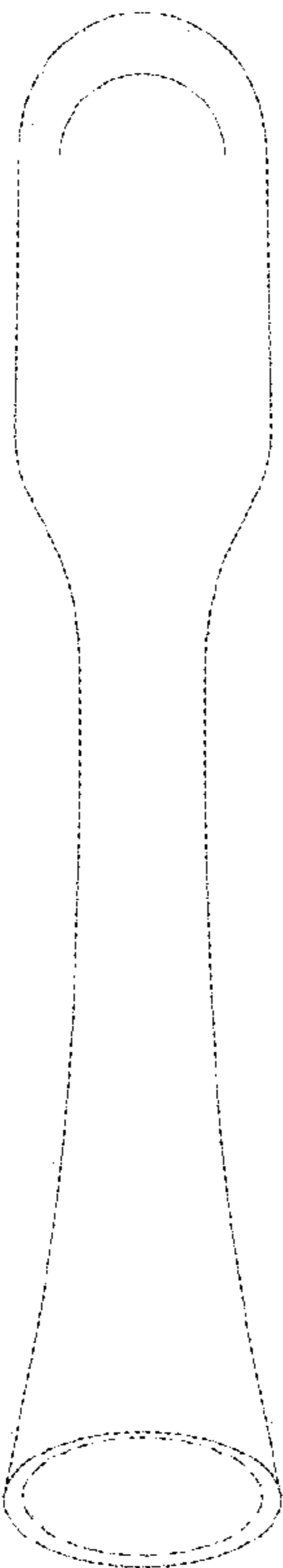


FIG. 4

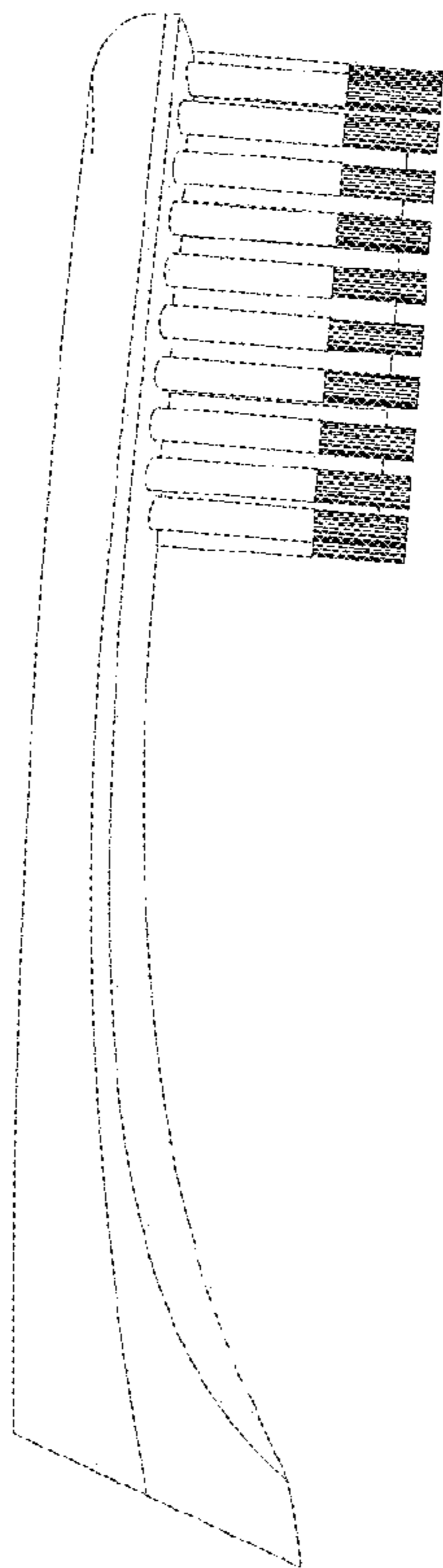


FIG. 5

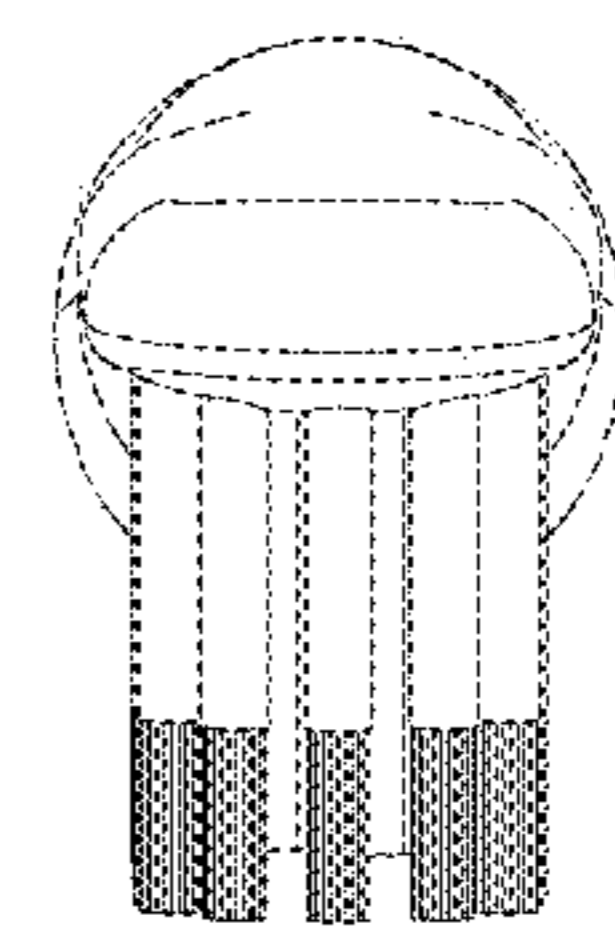


FIG. 6

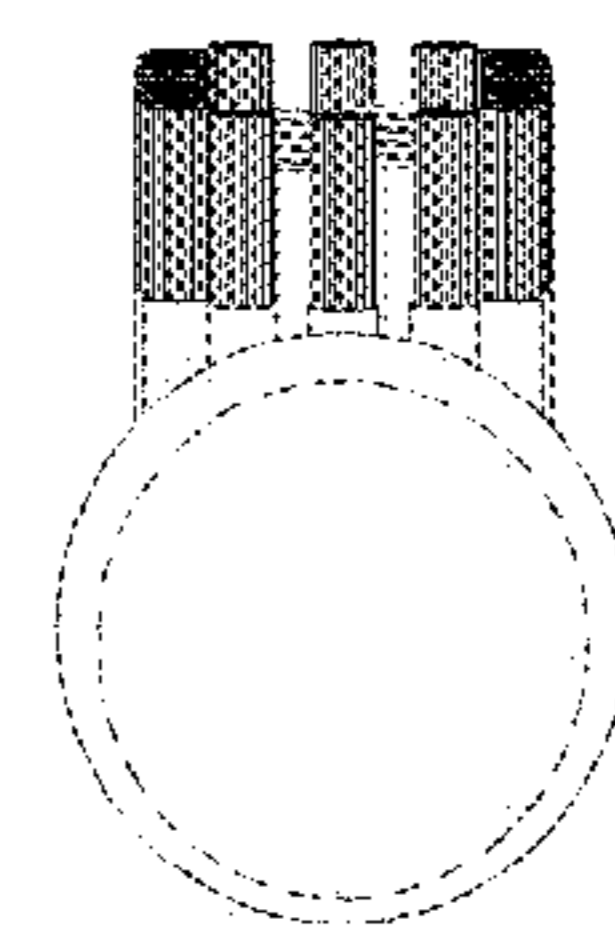


FIG. 7