



US00D901182S

(12) **United States Design Patent**
Chen

(10) **Patent No.:** **US D901,182 S**

(45) **Date of Patent:** **** Nov. 10, 2020**

(54) **LUGGAGE CASTER**

(71) Applicant: **Solite International Co., Ltd.**,
Changhua (TW)

(72) Inventor: **Yu-Chi Chen**, Changhua (TW)

(73) Assignee: **Solite International Co., Ltd.**,
Changhua (TW)

(**) Term: **15 Years**

(21) Appl. No.: **29/653,797**

(22) Filed: **Jun. 19, 2018**

(51) **LOC (12) Cl.** **03-01**

(52) **U.S. Cl.**
USPC **D3/318; D8/375**

(58) **Field of Classification Search**
USPC D3/271.12, 272-302, 318; D8/375;
D6/366, 716, 716.7, 708.24;
D12/128-133; D34/12-27
CPC .. A45C 1/00; A45C 1/02; A45C 1/024; A45C
1/04; A45C 1/06; A45C 2001/022; A45C
2001/067; A45C 2001/083; A45C
2001/086; A45C 2001/101; A45C
2001/102; A45C 3/00; A45C 3/001; A45C
3/04; A45C 3/045; A45C 3/06; A45C
3/10; A45C 5/00; A45C 5/03; A45C 5/04;
A45C 5/06; A45C 5/08; A45C 5/14;
A45C 5/141; A45C 5/146; A45C 7/00;
A45C 7/0018; A45C 7/005; A45C
7/0045; A45C 7/0054; A45C 7/0059;
A45C 7/0095; A45C 2011/001; A45C
2011/002; A45C 2011/003; A45C 11/20
See application file for complete search history.

(56) **References Cited**

U.S. PATENT DOCUMENTS

D470,747 S * 2/2003 Chi D12/204
D470,748 S * 2/2003 Tsai D8/375

D492,894 S * 7/2004 Cheng D8/375
D496,259 S * 9/2004 Cheng D8/375
D553,962 S * 10/2007 Rittfeldt D8/375
D556,553 S * 12/2007 Tamara D8/375
D556,554 S * 12/2007 Tamara D8/375
D556,555 S * 12/2007 Tamara D8/375
D556,556 S * 12/2007 Tamara D8/375
D556,557 S * 12/2007 Egger D8/375
D558,035 S * 12/2007 Egger D8/375
D561,014 S * 2/2008 Brodbeck D8/375
D561,015 S * 2/2008 Brodbeck D8/375
D568,726 S * 5/2008 Kohagen D8/375
D573,010 S * 7/2008 Lin D8/375
D600,104 S * 9/2009 Weber D8/375
D728,354 S * 5/2015 Fan D8/375
D729,051 S * 5/2015 Fan D8/375
D731,878 S * 6/2015 Lindsay D8/375
D802,930 S * 11/2017 Morszeck D3/318
D802,932 S * 11/2017 Morszeck D3/318

(Continued)

Primary Examiner — Cathron C Brooks

Assistant Examiner — Andrew T Nemeth

(74) *Attorney, Agent, or Firm* — Alan D. Kamrath; Karin
L. Williams; Mayer & Williams PC

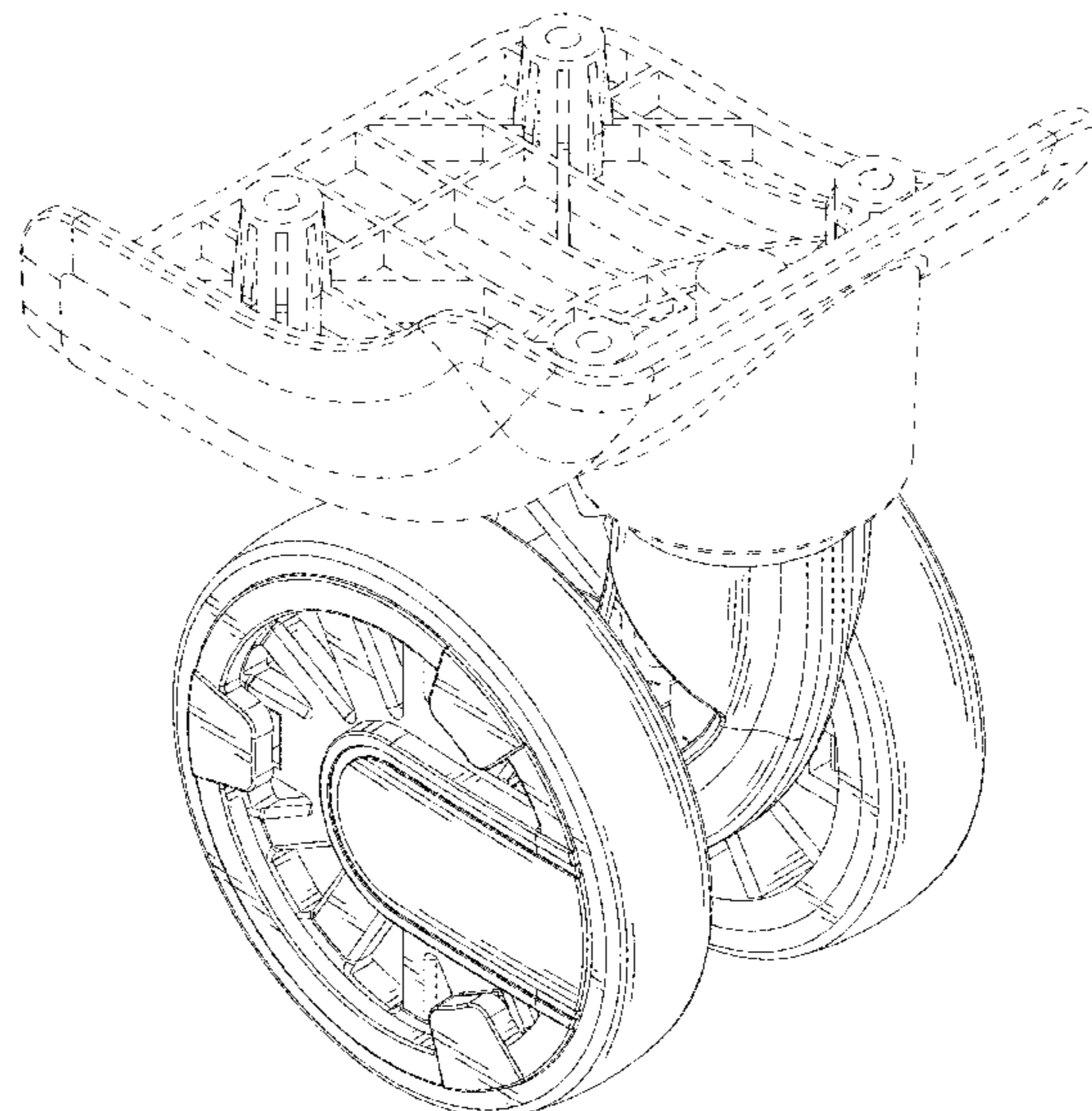
(57) **CLAIM**

The ornamental design for a luggage caster, as shown and
described.

DESCRIPTION

FIG. 1 is a perspective view of a luggage caster showing my
new design;
FIG. 2 is a front view thereof;
FIG. 3 is a rear view thereof;
FIG. 4 is a left view thereof;
FIG. 5 is a right view thereof;
FIG. 6 is a top view thereof; and,
FIG. 7 is a bottom view thereof.
The broken lines in the drawings illustrate portions of the
luggage caster which form no part of the claimed design.

1 Claim, 7 Drawing Sheets



(56)

References Cited

U.S. PATENT DOCUMENTS

D802,933 S * 11/2017 Morszeck D3/318
D811,090 S * 2/2018 Karl D3/318
2011/0186396 A1* 8/2011 Sheikh A45C 13/10
190/111
2011/0284334 A1* 11/2011 Cheng A45C 13/002
190/18 A
2014/0065335 A1* 3/2014 Chen B32B 27/065
428/36.5

* cited by examiner

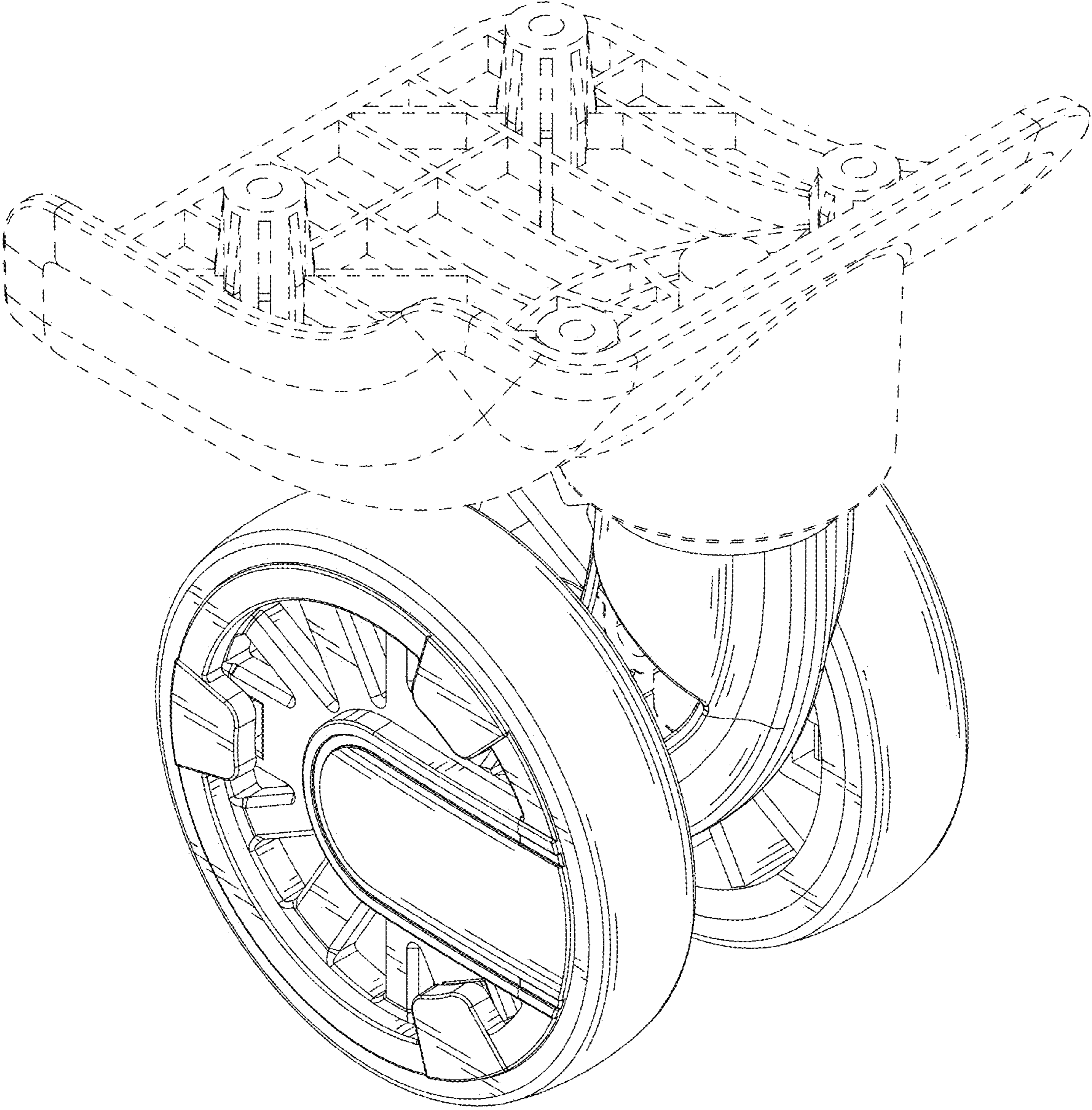


FIG. 1

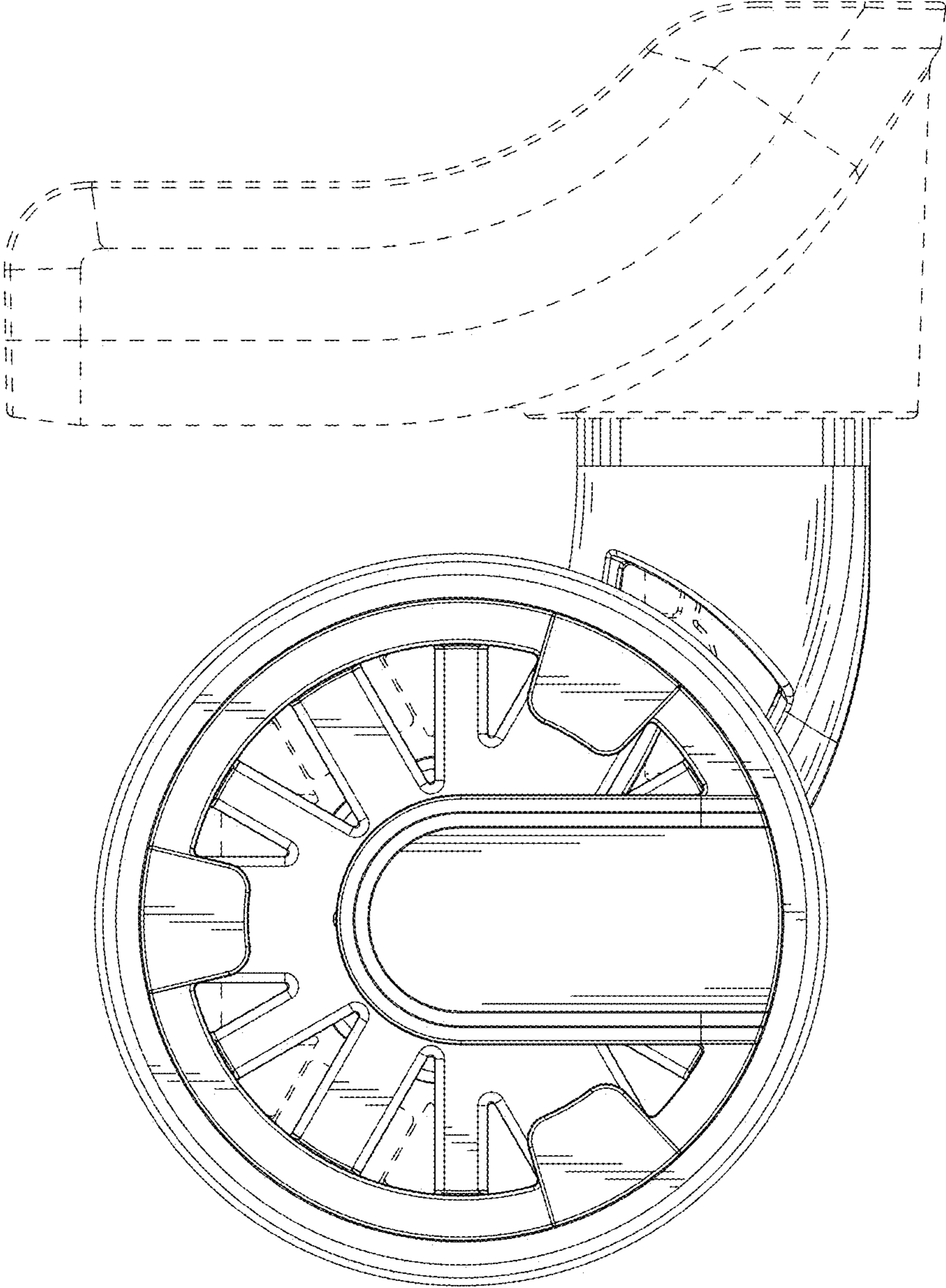


FIG. 2

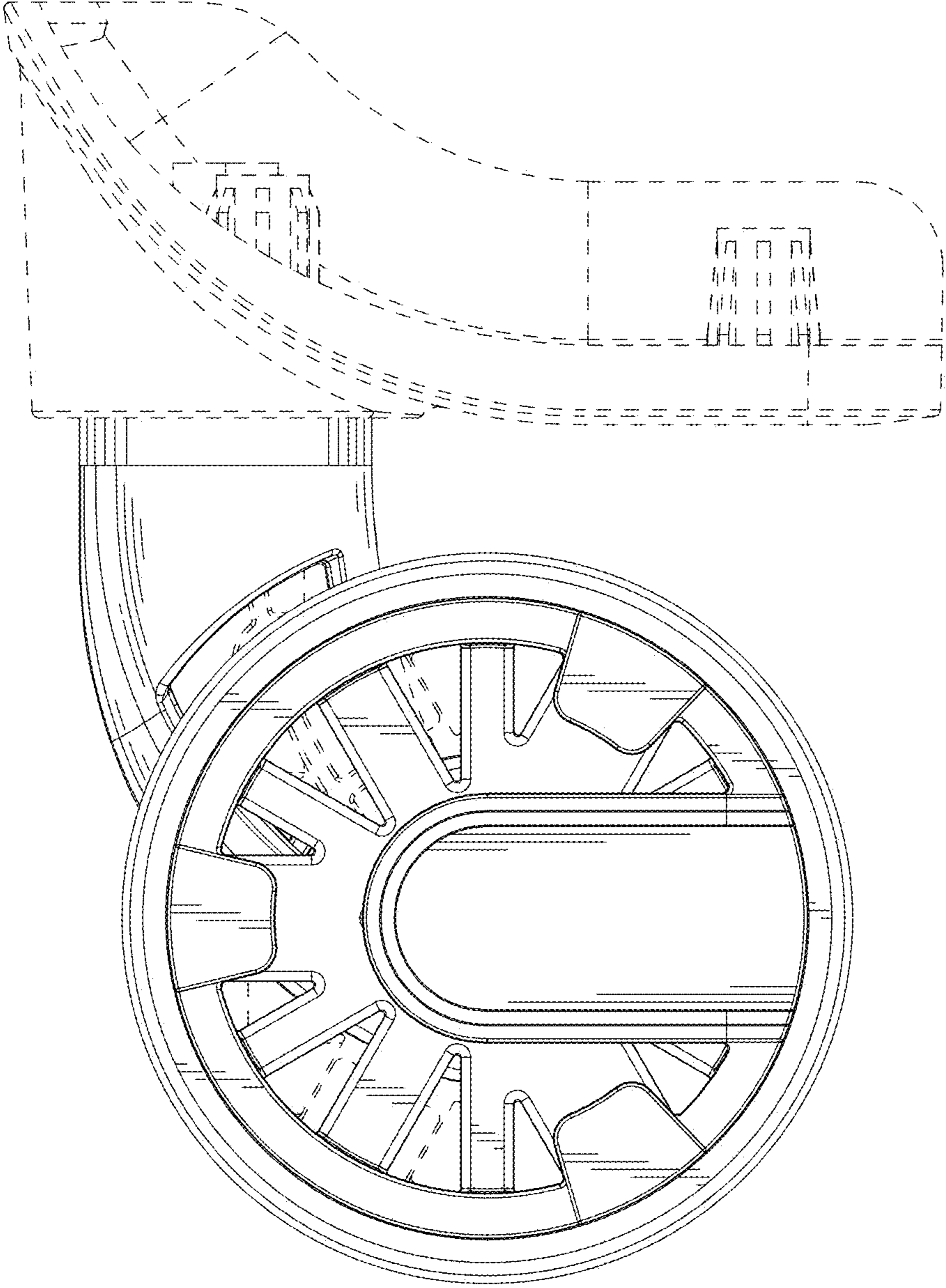


FIG. 3

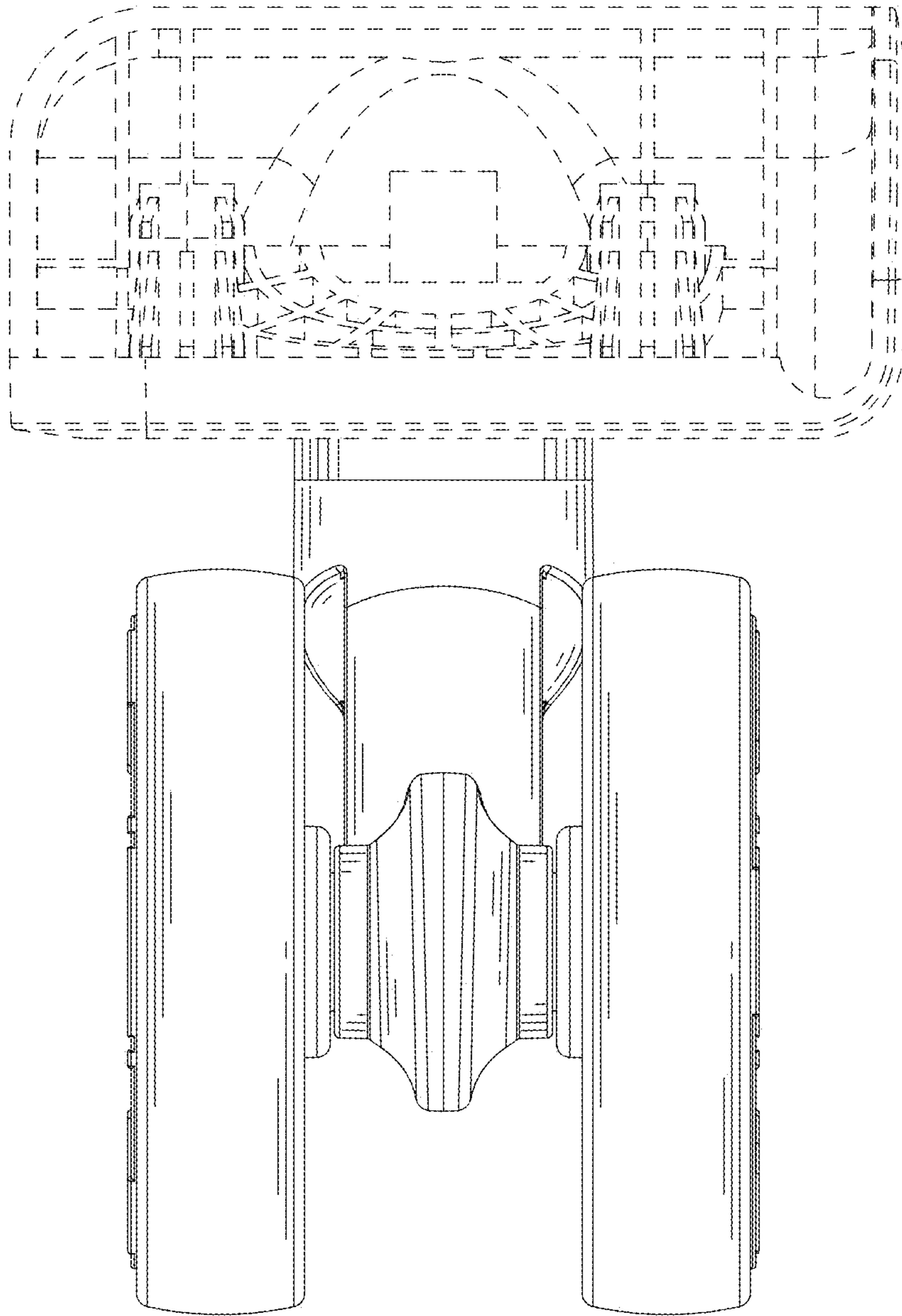


FIG. 4

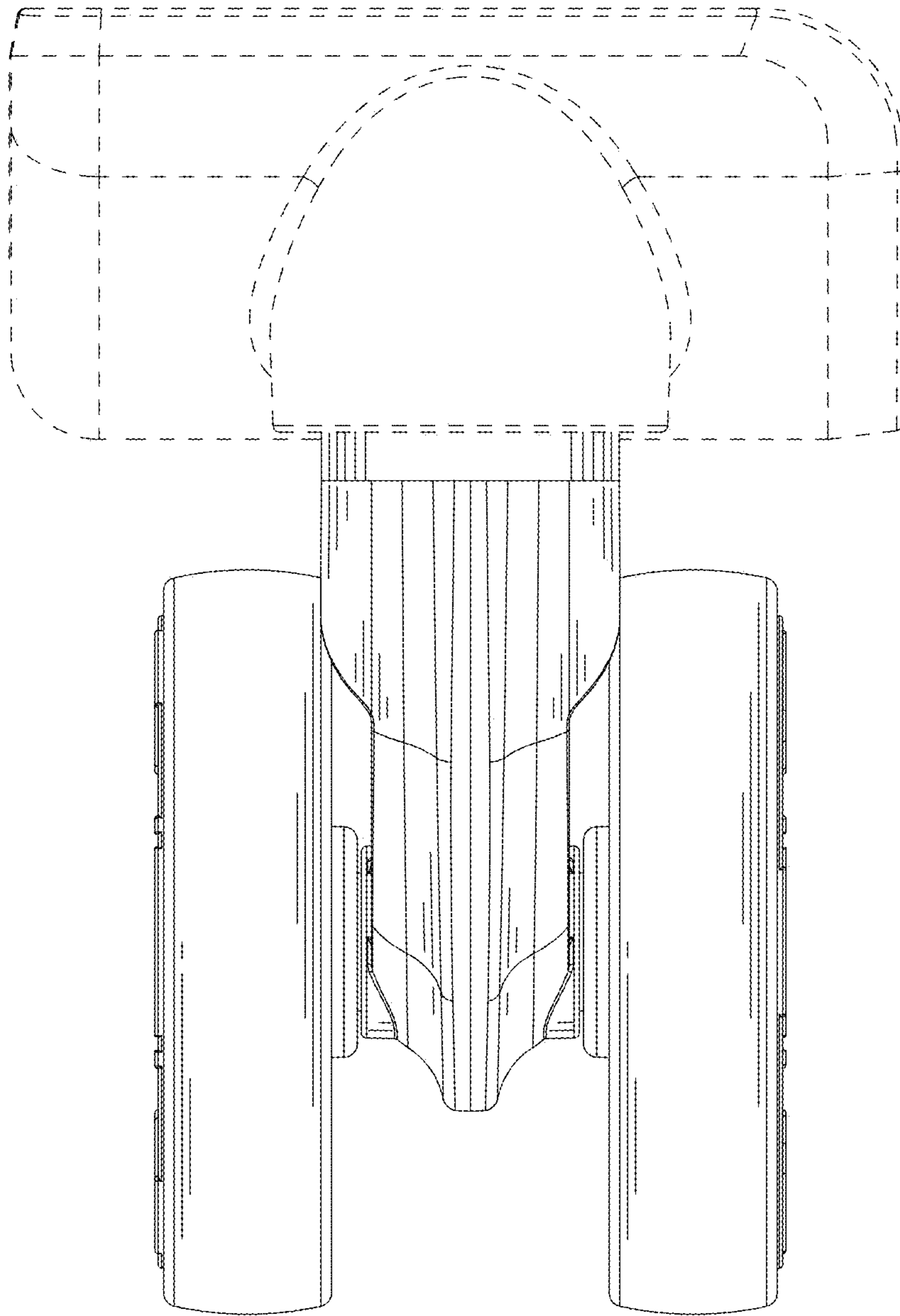


FIG. 5

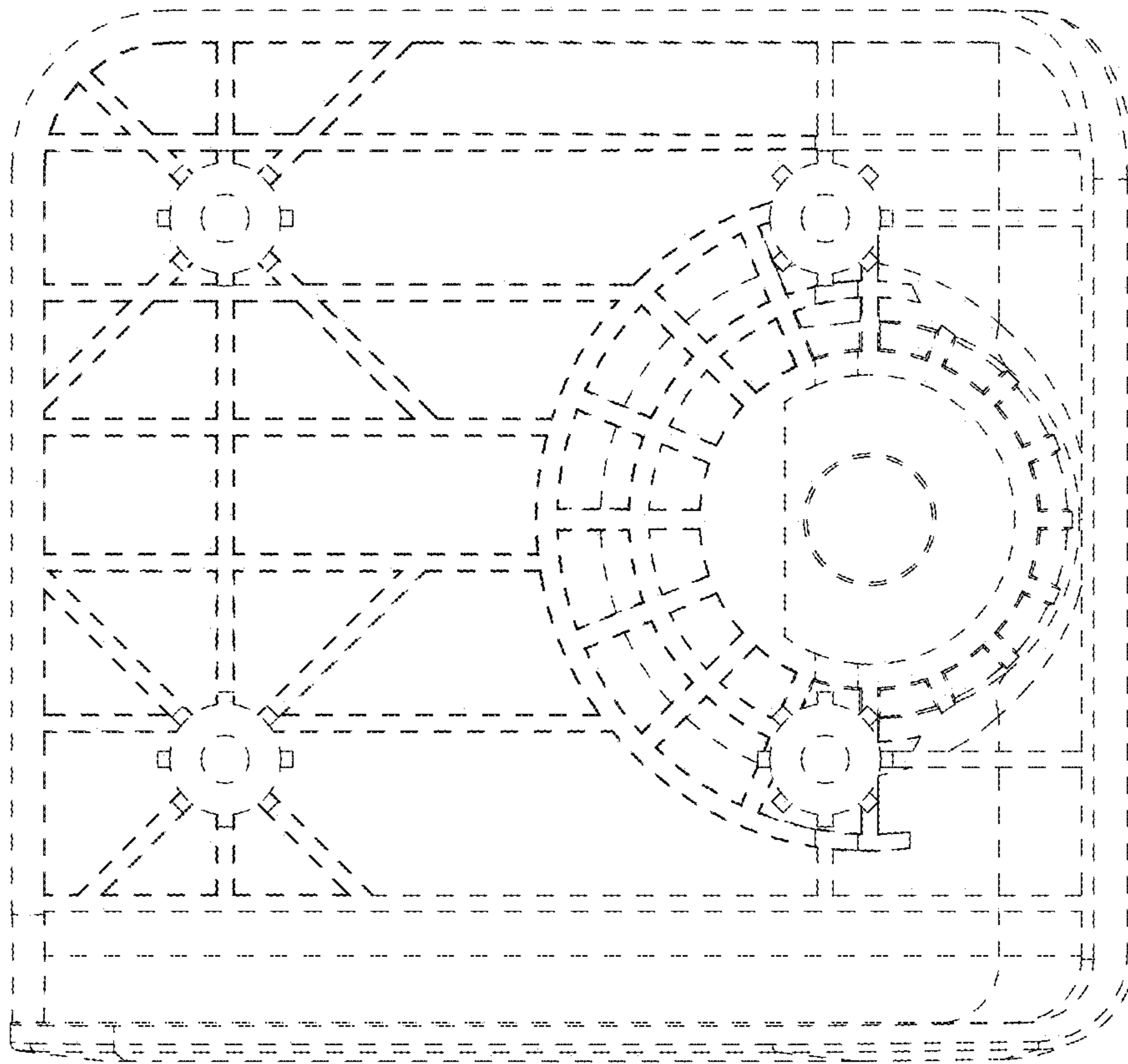


FIG. 6

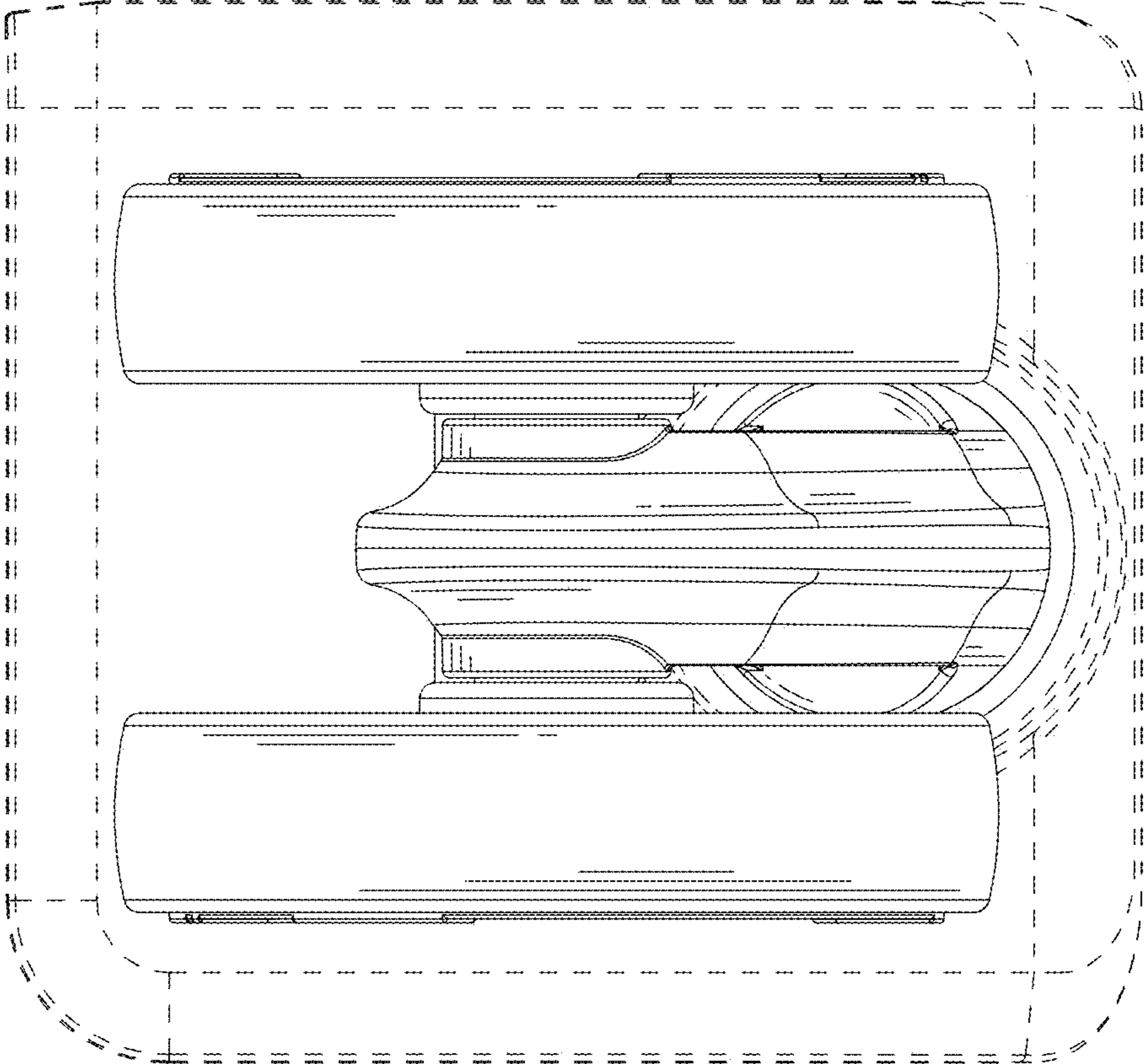


FIG. 7