



US00D901175S

(12) **United States Design Patent**
Guirlinger

(10) **Patent No.:** **US D901,175 S**

(45) **Date of Patent:** **** Nov. 10, 2020**

(54) **TOOL CART**

(71) Applicant: **Edward G. Guirlinger**, New Albany,
OH (US)

(72) Inventor: **Edward G. Guirlinger**, New Albany,
OH (US)

(**) Term: **15 Years**

(21) Appl. No.: **29/676,091**

(22) Filed: **Jan. 8, 2019**

(51) **LOC (12) Cl.** **03-01**

(52) **U.S. Cl.**
USPC **D3/279**

(58) **Field of Classification Search**
USPC D34/12, 14, 17, 19-27; 280/651, 47.19,
280/47.35, 655, 47.17; D3/279
CPC B62B 1/12; B62B 1/14; B62B 3/02; B62B
1/125; B62B 1/20; B62B 5/0438; B62B
1/04; B62B 1/042; B62B 1/208; B62B
2205/00

See application file for complete search history.

(56) **References Cited**

U.S. PATENT DOCUMENTS

D596,367 S * 7/2009 Katz D34/19
D653,832 S * 2/2012 Vilkomirski D34/25
D661,858 S * 6/2012 Lifshitz D34/25
D693,121 S * 11/2013 Bensman D3/279
D701,696 S * 4/2014 Shitrit D3/279

9,457,828 B1 * 10/2016 Guirlinger B62B 5/00
9,872,547 B2 * 1/2018 Naiva A45C 13/262
D837,515 S * 1/2019 Shpitzer D3/279
D857,386 S * 8/2019 Shpitzer D3/279

* cited by examiner

Primary Examiner — Gino Colan

(74) *Attorney, Agent, or Firm* — Robert R. Lech; Lech
Law, LLC

(57) **CLAIM**

What is claimed is the ornamental design for a tool cart, as
shown and described.

DESCRIPTION

FIG. 1 is an upper-front-right perspective view of a tool cart
with a handle in an extended configuration, showing my new
design;

FIG. 2 is a lower-front-left perspective view of the tool cart
of FIG. 1;

FIG. 3 is an upper-rear-right perspective view of the tool cart
of FIG. 1;

FIG. 4 is a lower-rear-right perspective view of the tool cart
of FIG. 1;

FIG. 5 is a front elevational view of the tool cart of FIG. 1;

FIG. 6 is a rear elevational view of the tool cart of FIG. 1;

FIG. 7 is a left elevational view of the tool cart of FIG. 1;

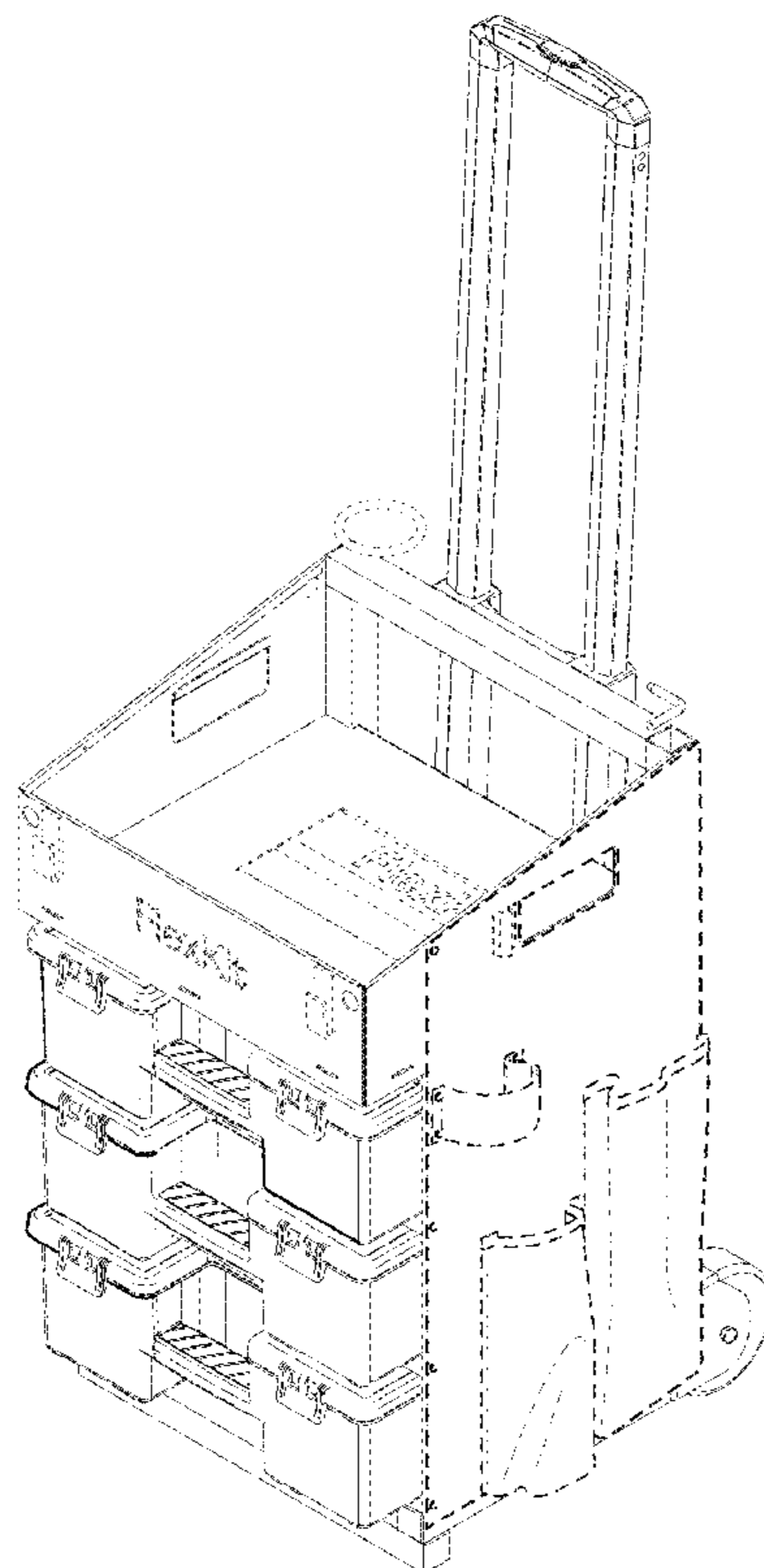
FIG. 8 is a right elevational view of the tool cart of FIG. 1;

FIG. 9 is a bottom plan view of the tool cart of FIG. 1; and,

FIG. 10 is a top plan view of the tool cart of FIG. 1.

The broken lines showing attached pockets and marking on
the tool cart are for the purpose of illustrating environment
and form no part of the claimed design.

1 Claim, 10 Drawing Sheets



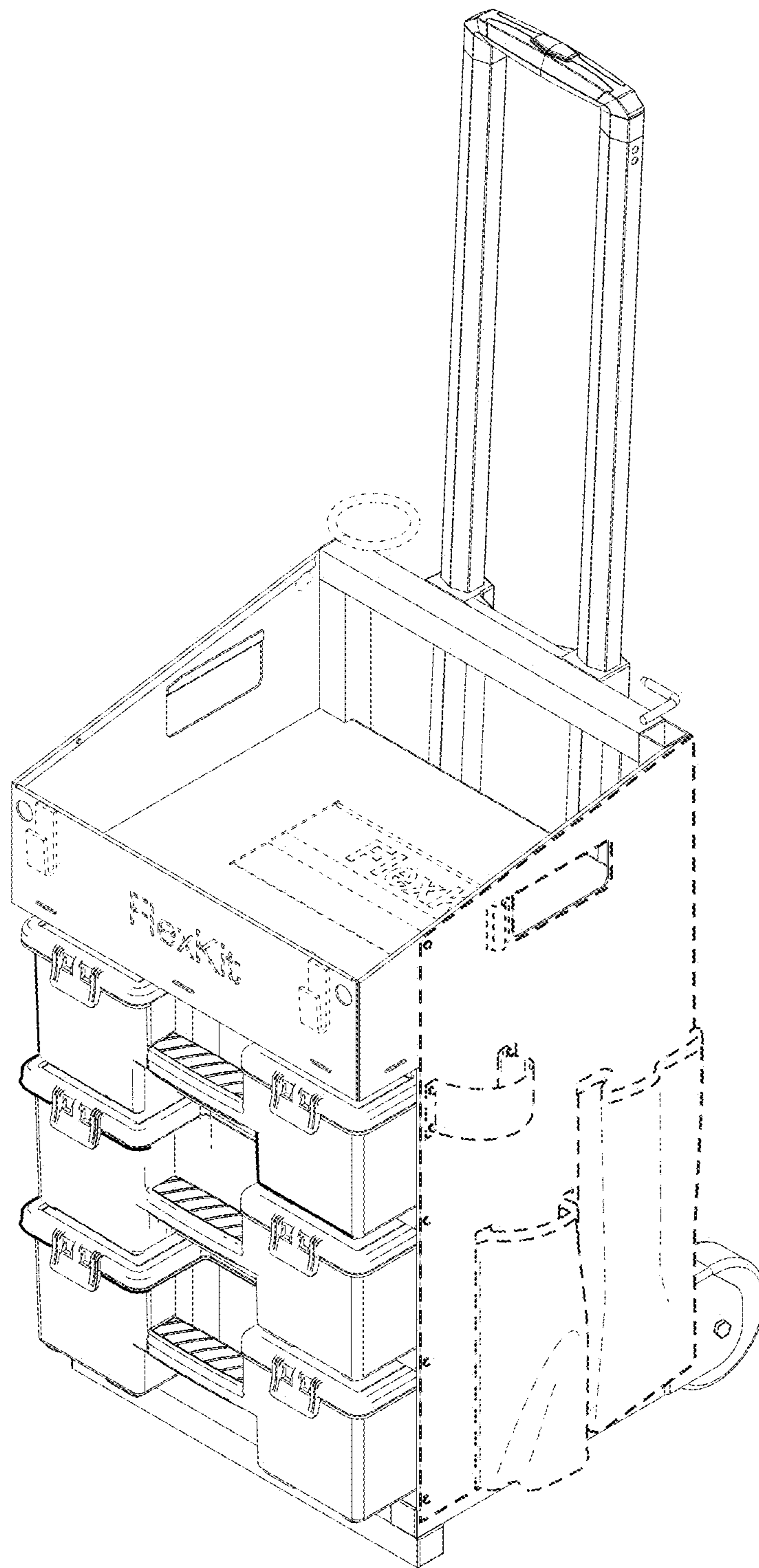


FIG. 1

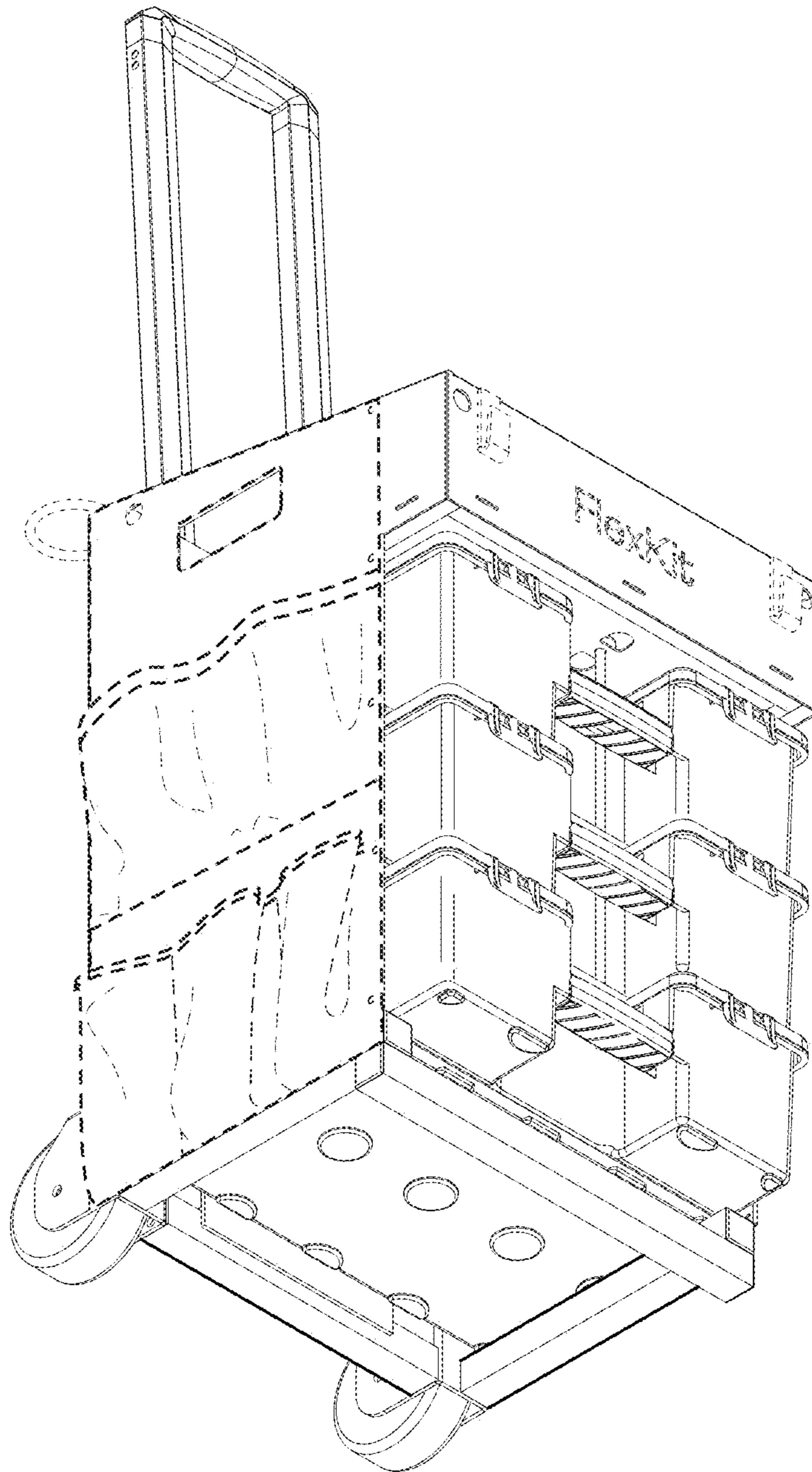


FIG. 2

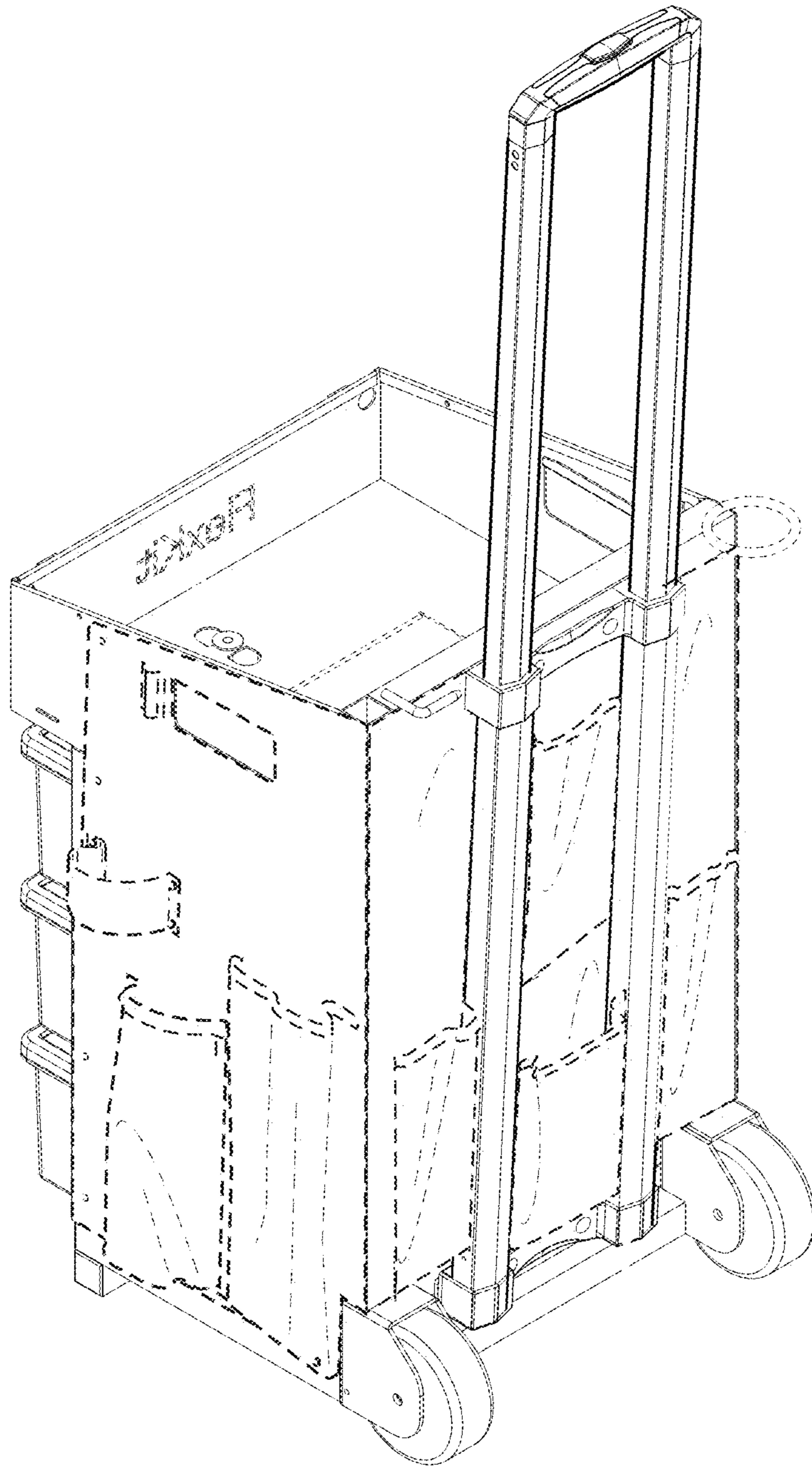


FIG. 3

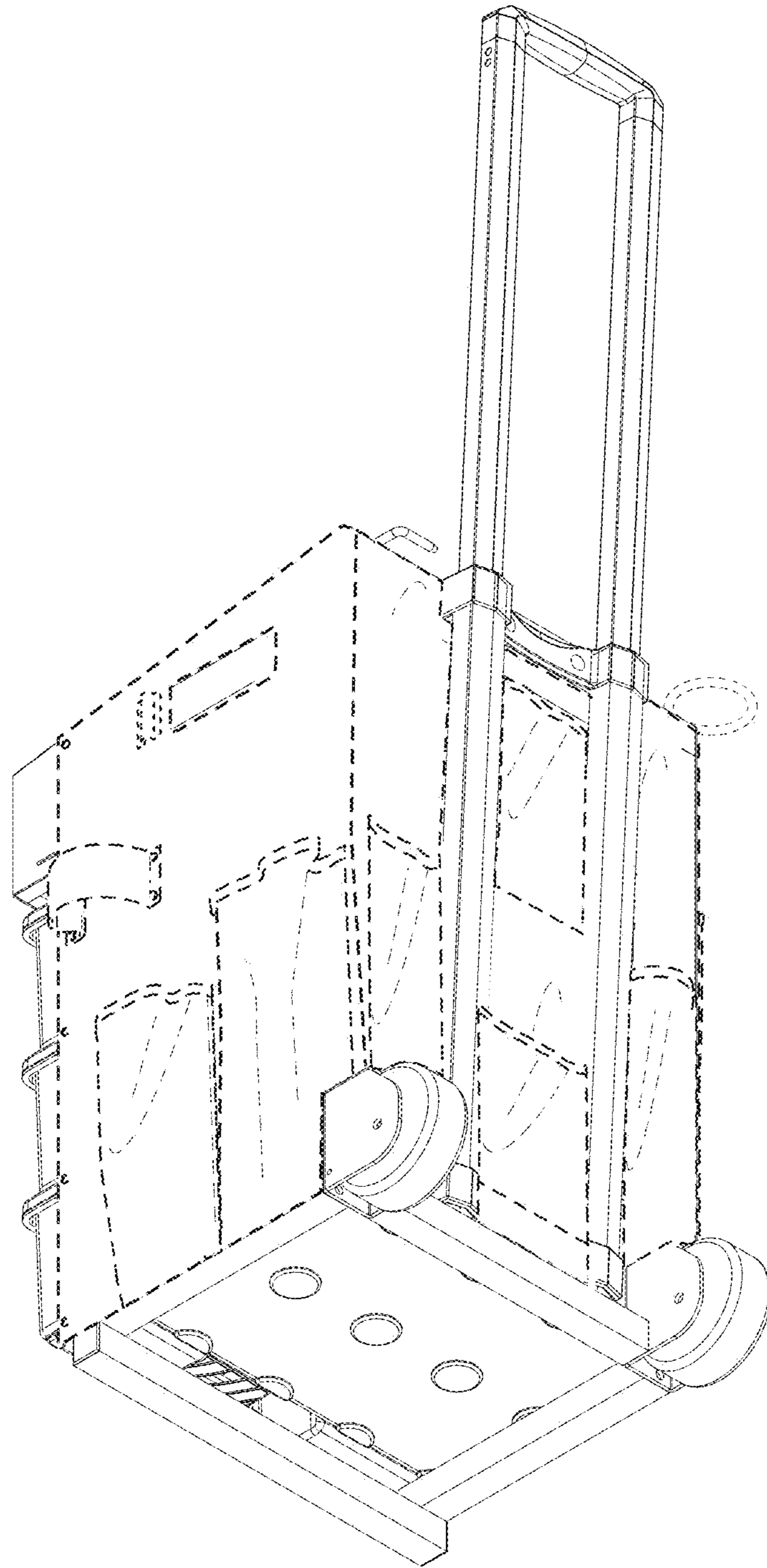


FIG. 4

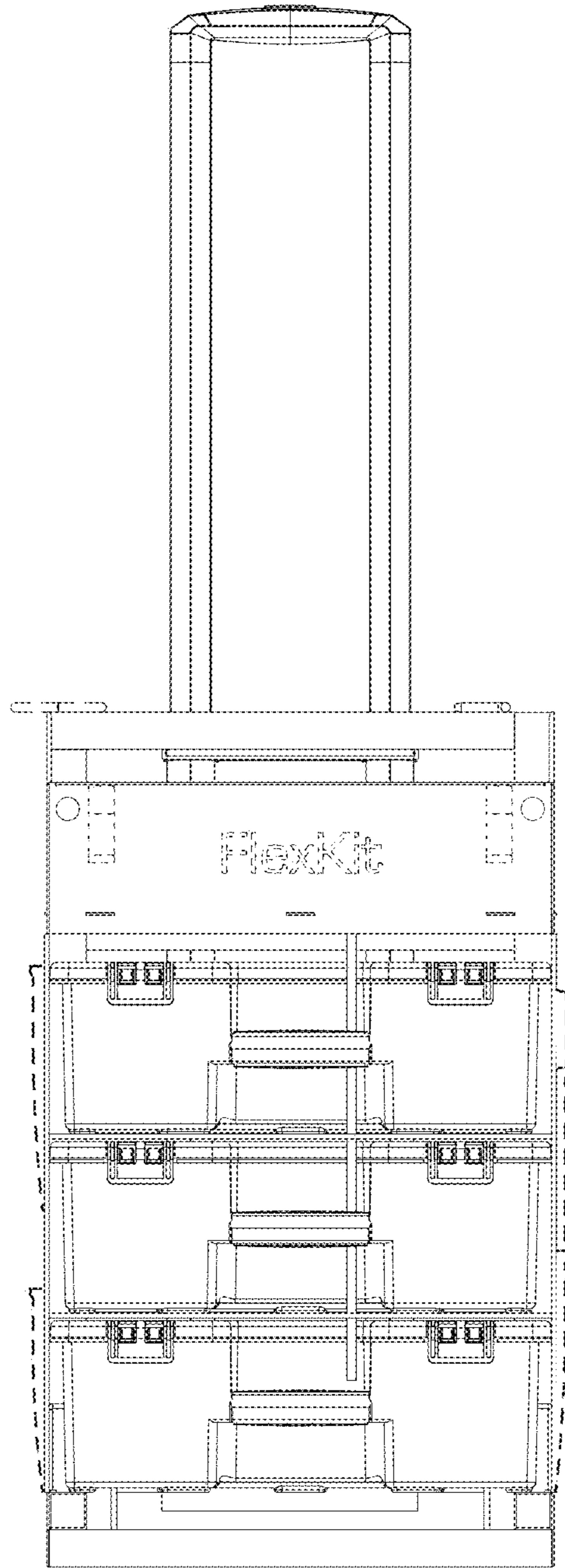


FIG. 5

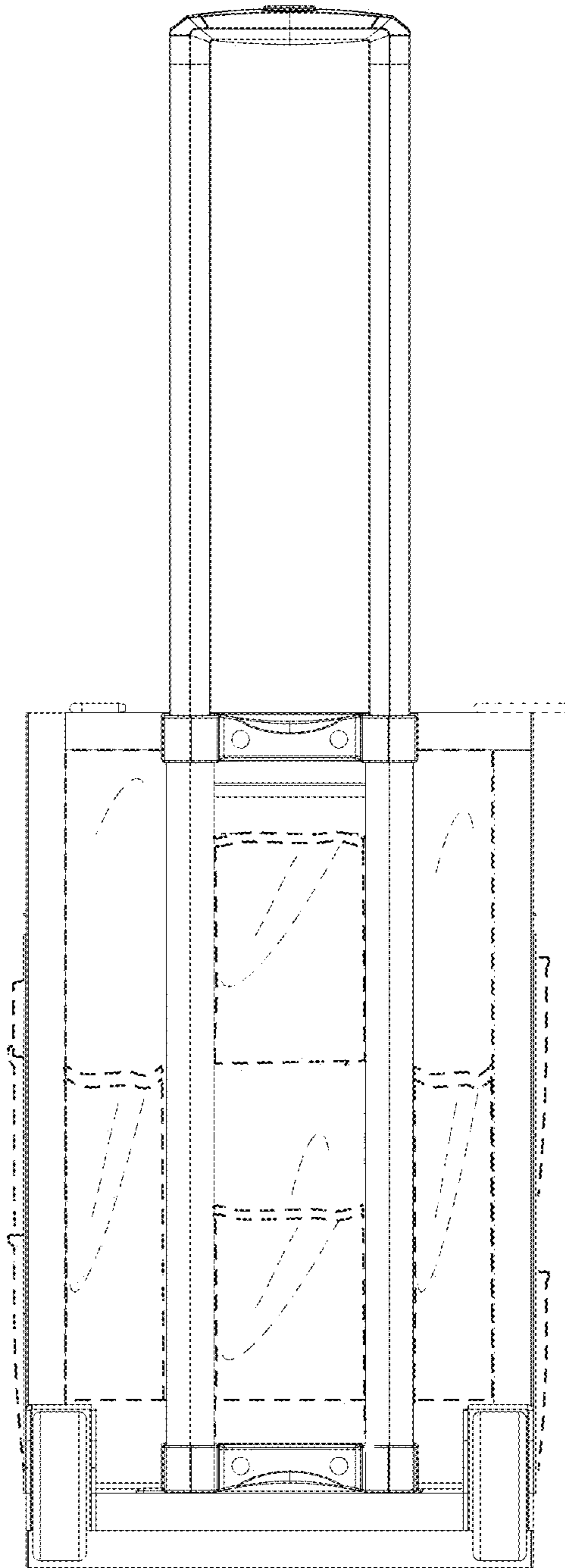


FIG. 6

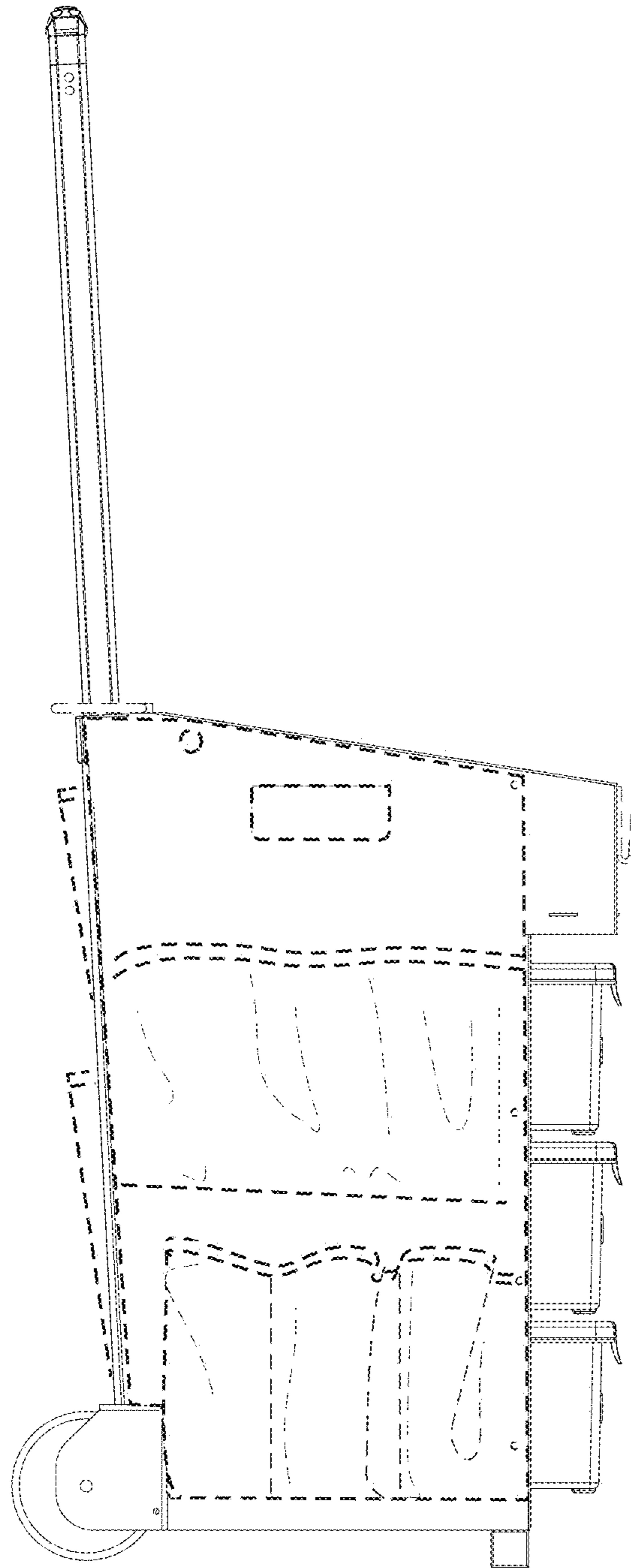


FIG. 7

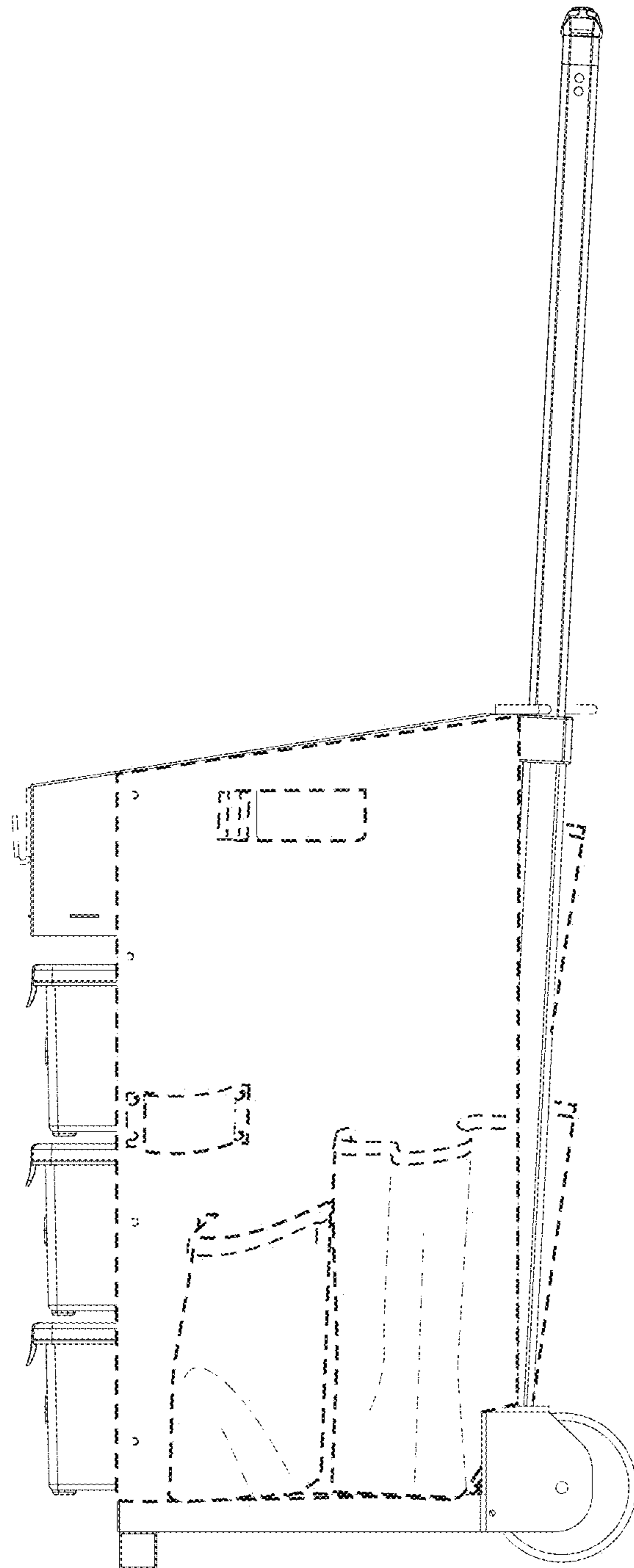


FIG. 8

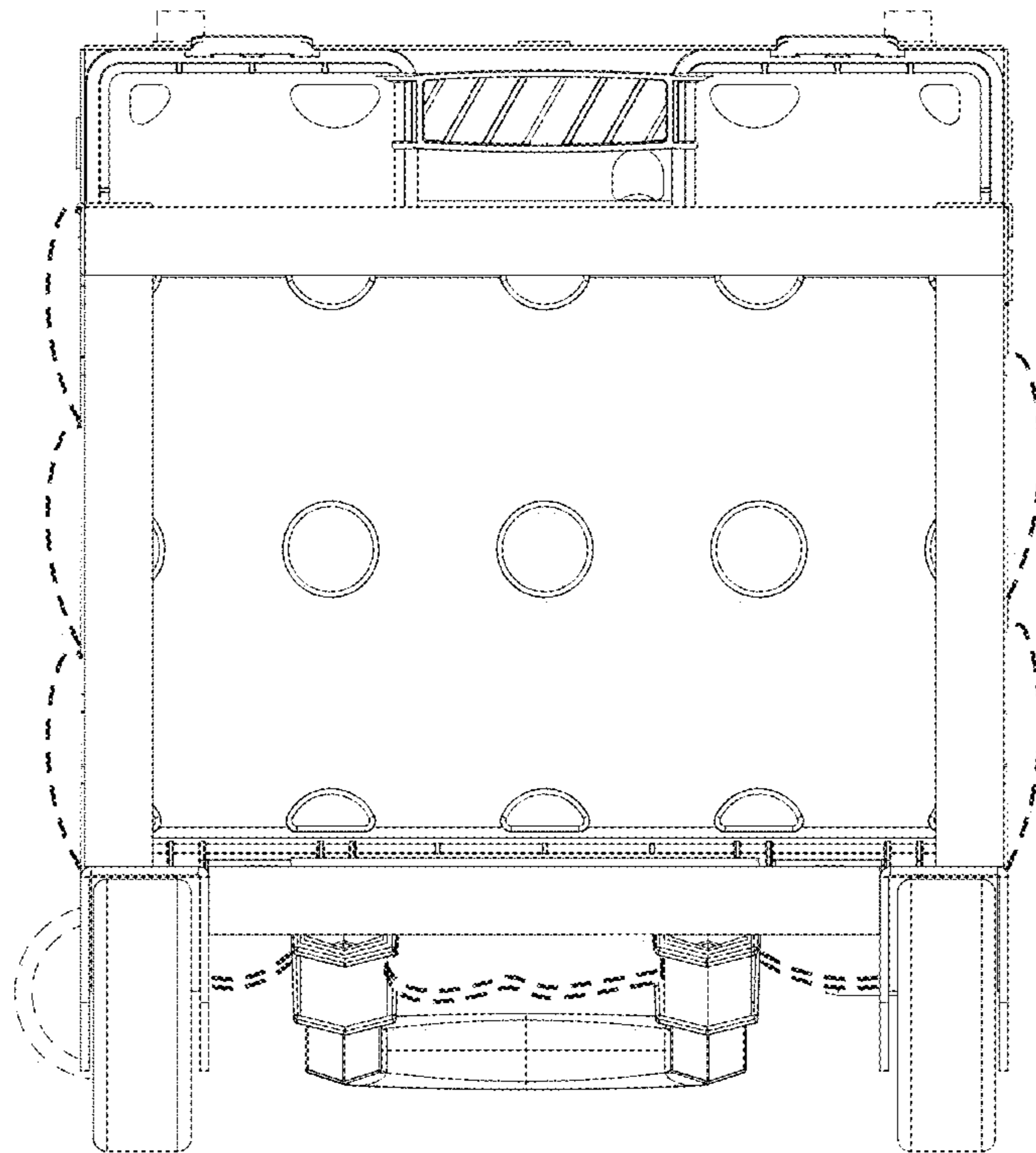


FIG. 9

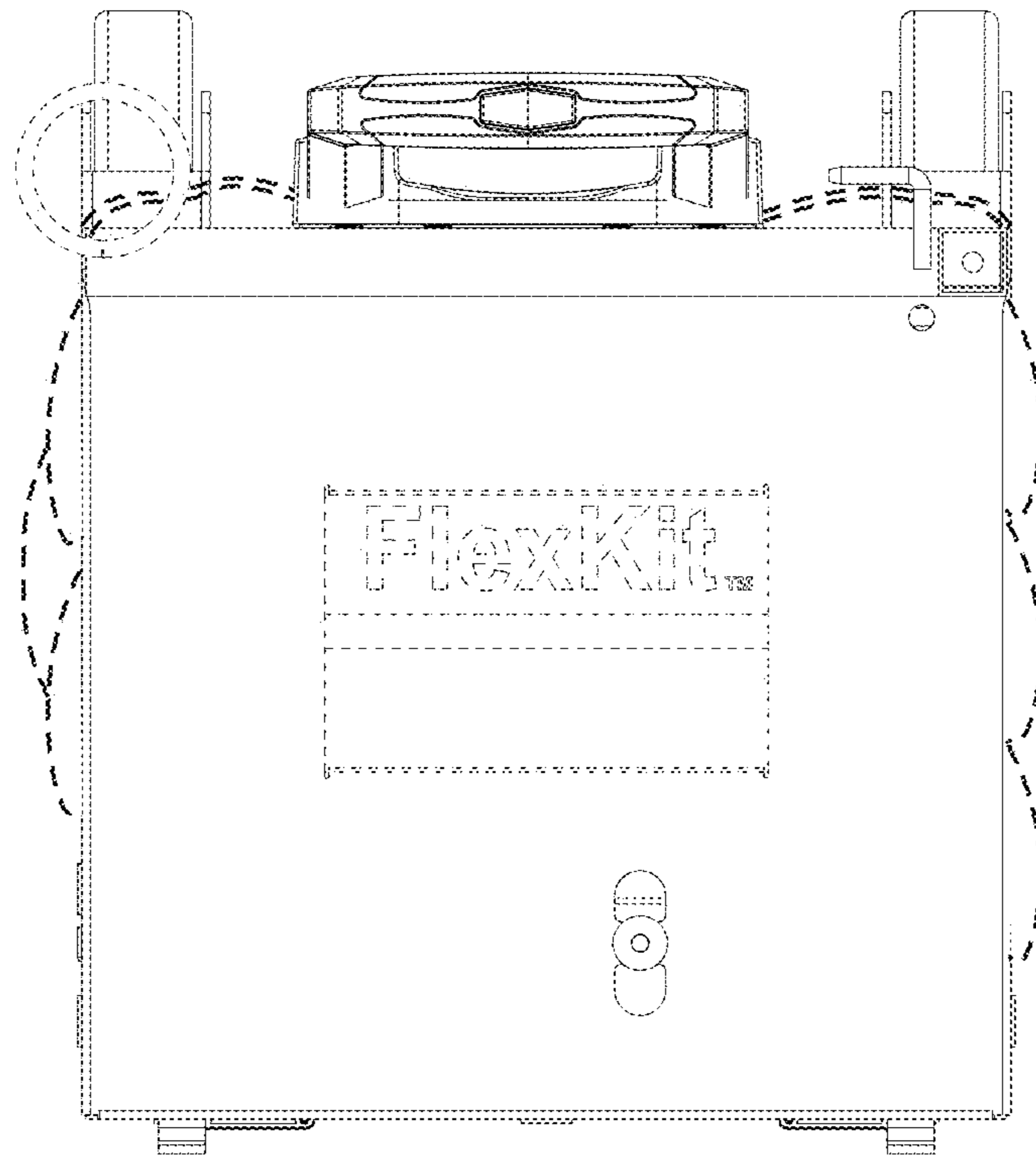


FIG. 10