



US00D901174S

(12) **United States Design Patent**
Stevenson et al.

(10) **Patent No.:** **US D901,174 S**

(45) **Date of Patent:** **** Nov. 10, 2020**

(54) **FISHING POLE SCABBARD**

(71) Applicants: **Mark O. Stevenson**, Walnut Creek, CA (US); **James E. Grimes**, Yorba Linda, CA (US)

(72) Inventors: **Mark O. Stevenson**, Walnut Creek, CA (US); **James E. Grimes**, Yorba Linda, CA (US)

(**) Term: **15 Years**

(21) Appl. No.: **29/696,674**

(22) Filed: **Jun. 28, 2019**

(51) **LOC (12) Cl.** **03-01**

(52) **U.S. Cl.**
USPC **D3/260**; D22/134; D22/147

(58) **Field of Classification Search**
USPC D3/220, 260; D22/134, 147-149, 199;
D21/568, 567, 398; 224/232, 922;
30/151
CPC A01K 97/08; A01K 87/025
See application file for complete search history.

(56) **References Cited**

U.S. PATENT DOCUMENTS

D248,347 S *	7/1978	McCollum	D22/147
D327,603 S *	7/1992	van Asten	D7/376
D333,334 S *	2/1993	Davidson	D22/108
D339,963 S *	10/1993	Roberts	D7/638
D341,753 S *	11/1993	Winyard	D7/638
D345,075 S *	3/1994	Saltet	D7/376
D345,076 S *	3/1994	Saltet	D7/376
D356,140 S *	3/1995	Meyer	D22/147
D369,673 S *	5/1996	Morton	D3/220
D374,981 S *	10/1996	Hainsworth	D3/220
D405,570 S *	2/1999	Broecking	D32/32
D418,900 S *	1/2000	Voutsikakis	D22/147
D429,122 S *	8/2000	Stokes	D7/638
D714,047 S *	9/2014	Ko	D3/220

D789,077 S *	6/2017	Seo	D3/220
D798,045 S *	9/2017	Astradsson	D3/220
D854,685 S *	7/2019	Austria	D24/146

(Continued)

Primary Examiner — W. A. Teddy Falloway

(74) *Attorney, Agent, or Firm* — Charles L. Thoeming

(57) **CLAIM**

The ornamental design for a fishing pole scabbard, as shown and described.

DESCRIPTION

FIG. 1 is an isometric top right view of a fishing pole scabbard in a first environment of use showing our new design.

FIG. 2 is a rear elevation view of the fishing pole scabbard of FIG. 1.

FIG. 3 is a right, side elevation view of the fishing pole scabbard of FIG. 1; the left, side elevation view of the fishing pole scabbard of FIG. 1 is the mirror image of FIG. 3.

FIG. 4 is a front elevation view of the fishing pole scabbard of FIG. 1.

FIG. 5 is a top plan view of the fishing pole scabbard of FIG. 1.

FIG. 6 is a bottom plan view of the fishing pole scabbard of FIG. 1.

FIG. 7 is an isometric top right view of a fishing pole scabbard in a second environment of use showing our new design.

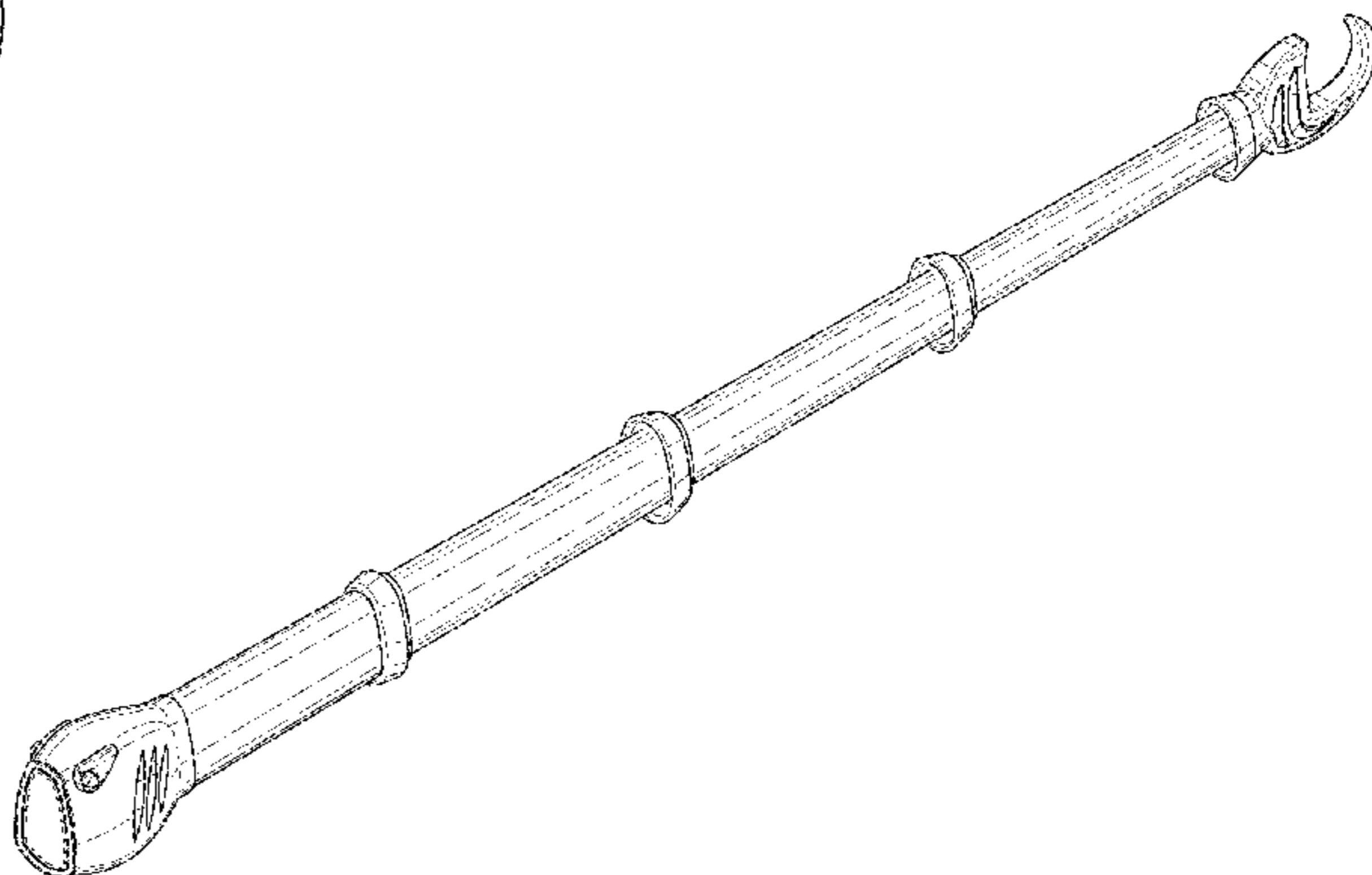
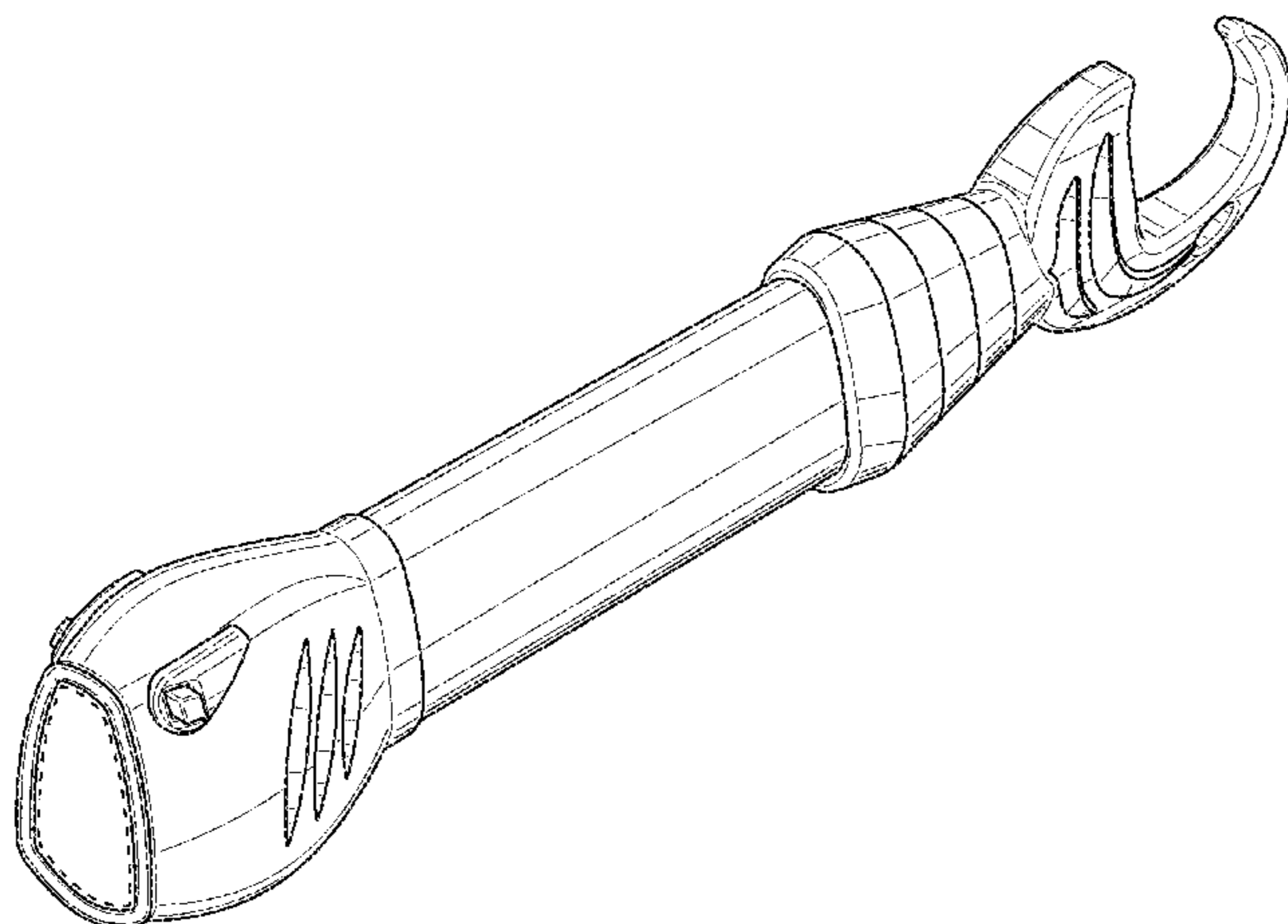
FIG. 8 is a right, side elevation view of the fishing pole scabbard of FIG. 7; the left, side elevation view of the fishing pole scabbard of FIG. 7 is the mirror image of FIG. 8.

FIG. 9 is a top plan view of the fishing pole scabbard of FIG. 7; and,

FIG. 10 is a bottom plan view of the fishing pole scabbard of FIG. 7.

The broken lines define the bounds of the claimed design and form no part thereof.

1 Claim, 5 Drawing Sheets



(56)

References Cited

U.S. PATENT DOCUMENTS

D884,823 S * 5/2020 Heine D22/118
10,638,738 B1 * 5/2020 Stevenson A01K 87/025
2018/0279597 A1 * 10/2018 Wilson A01K 97/08

* cited by examiner

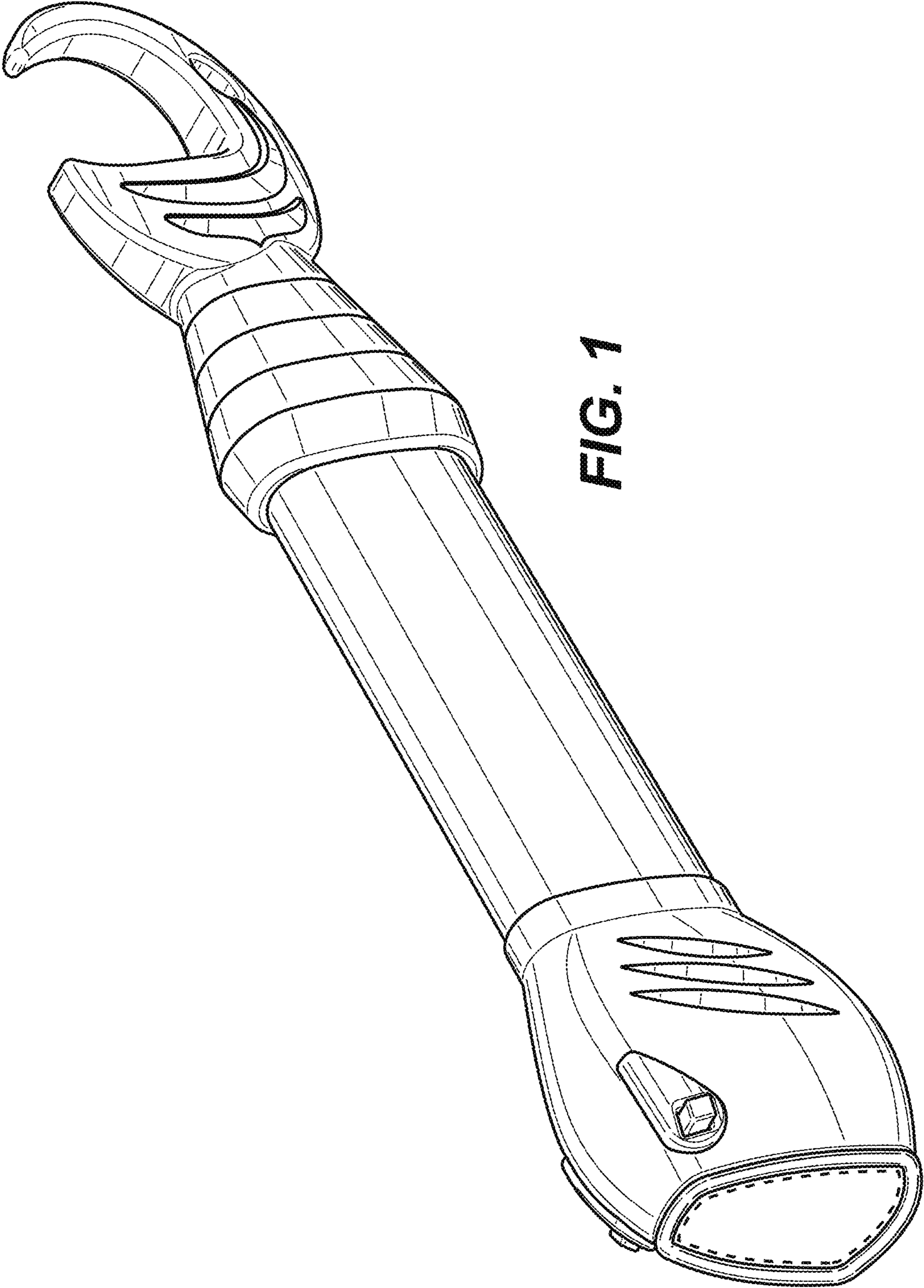


FIG. 1

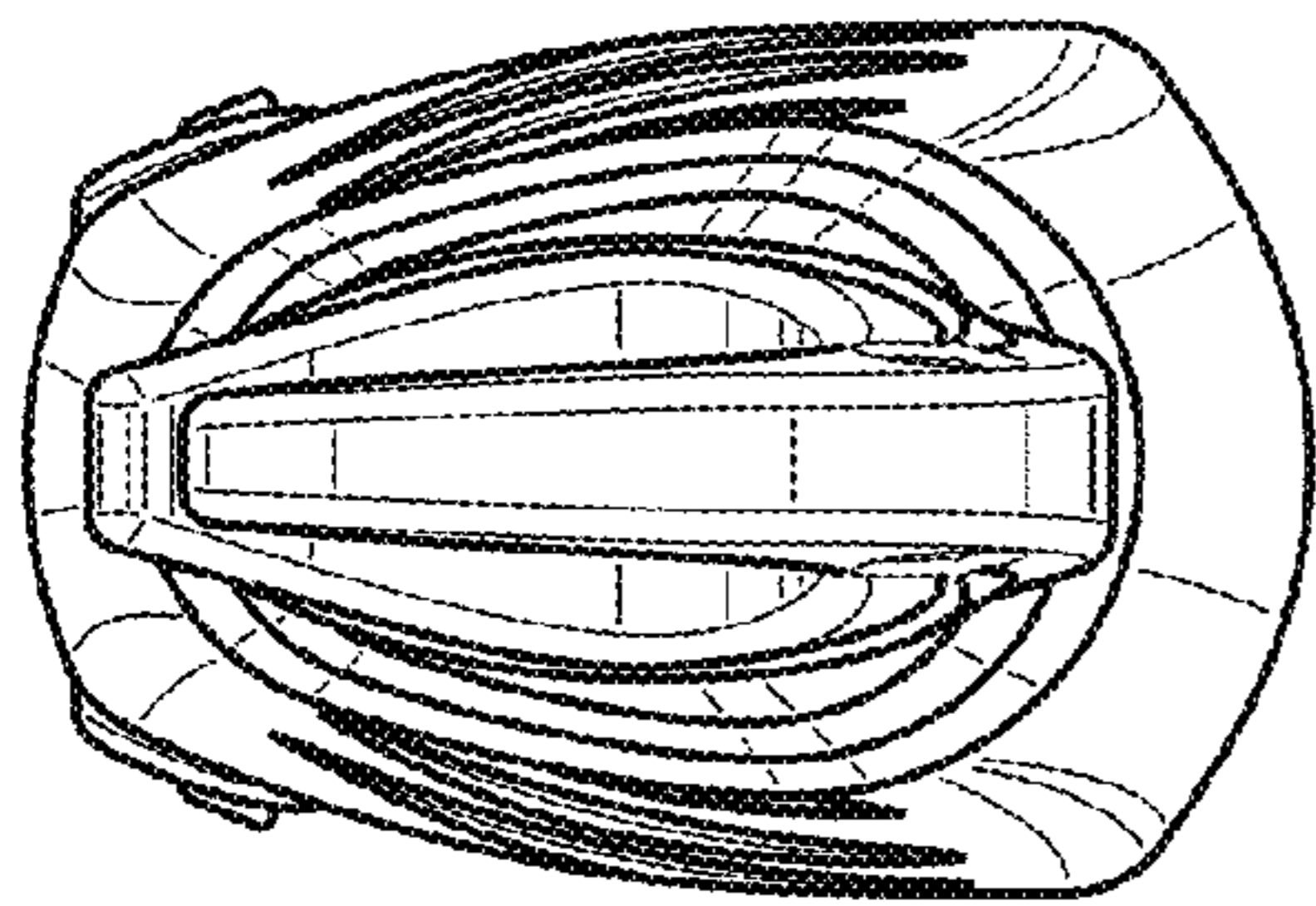


FIG. 2

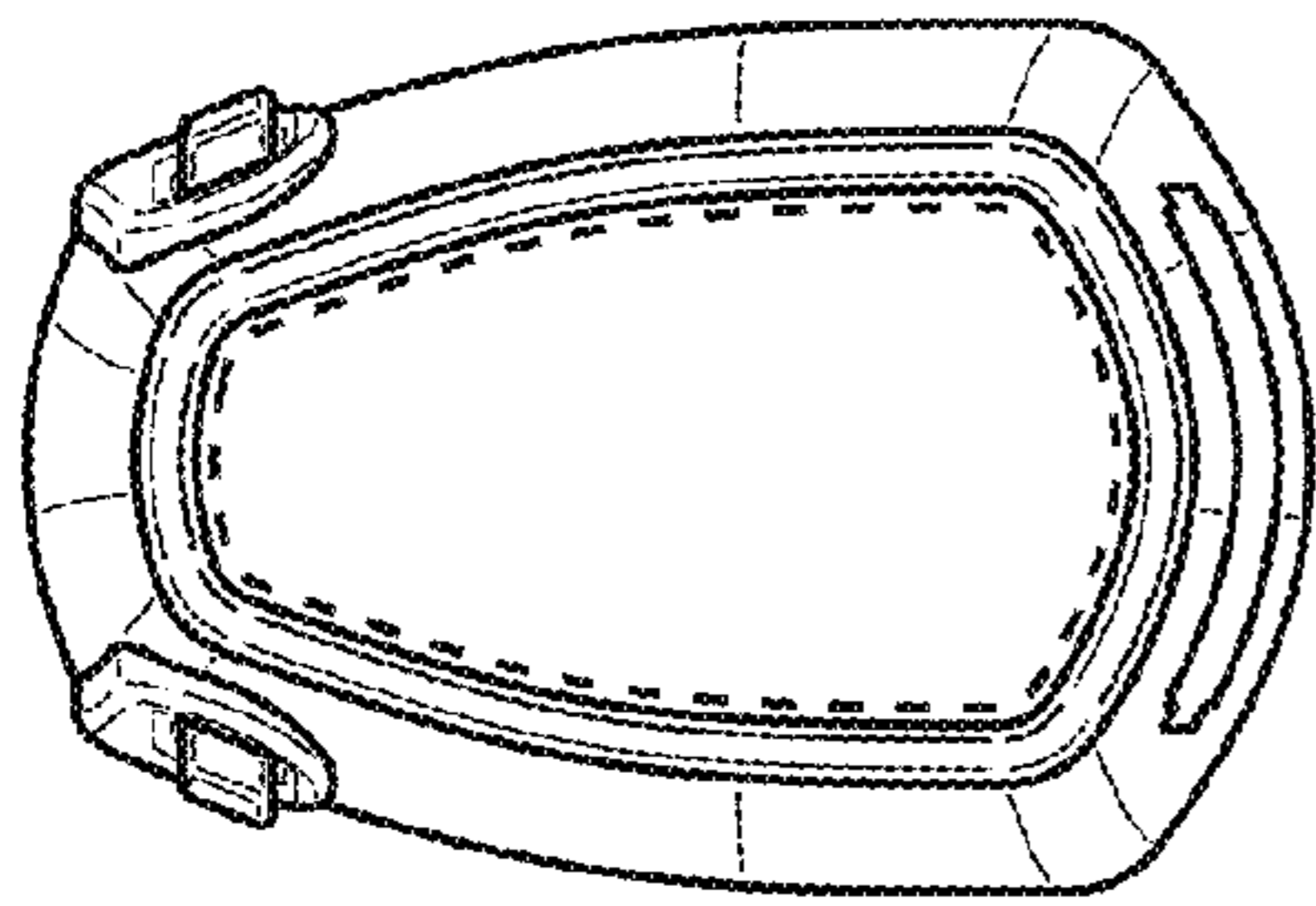


FIG. 4

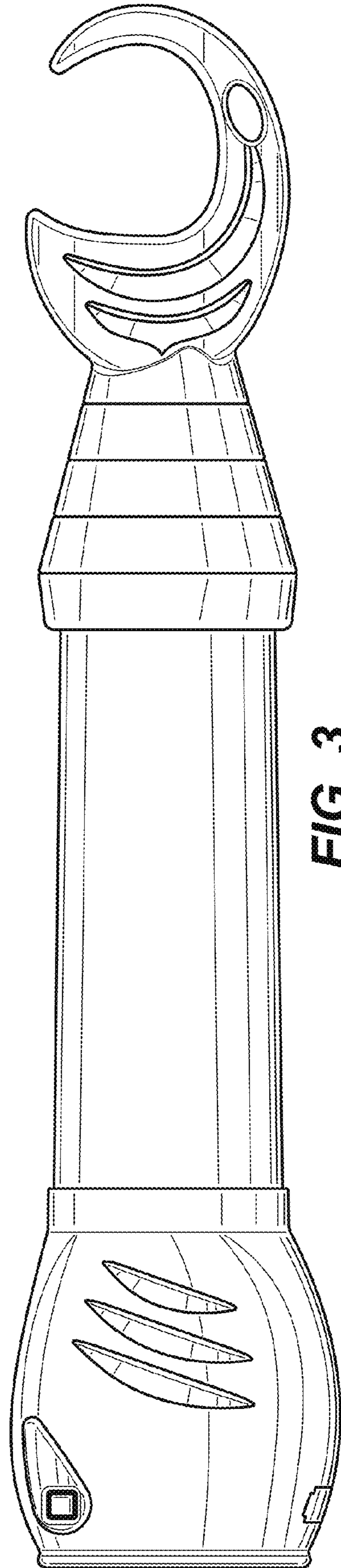


FIG. 3

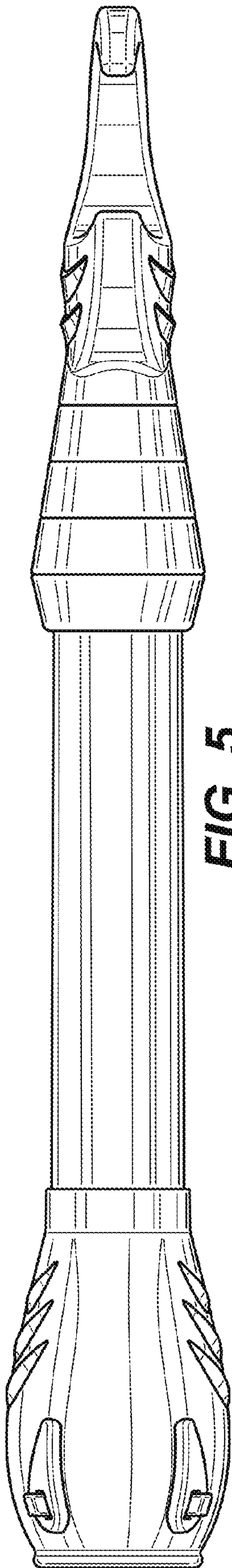


FIG. 5

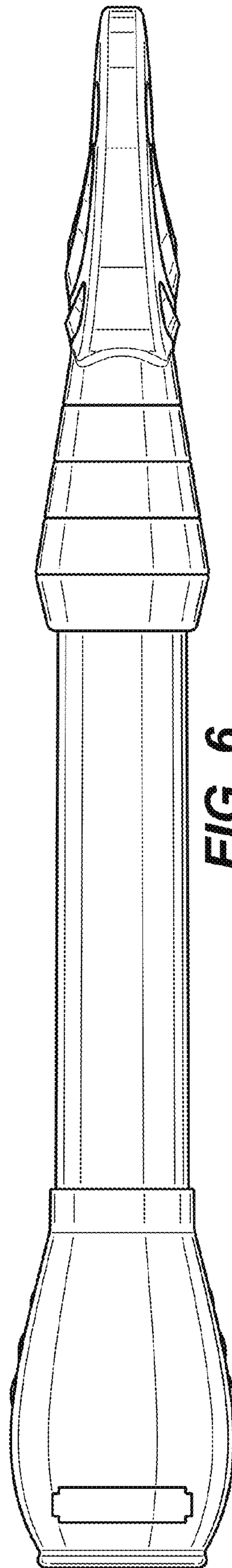


FIG. 6

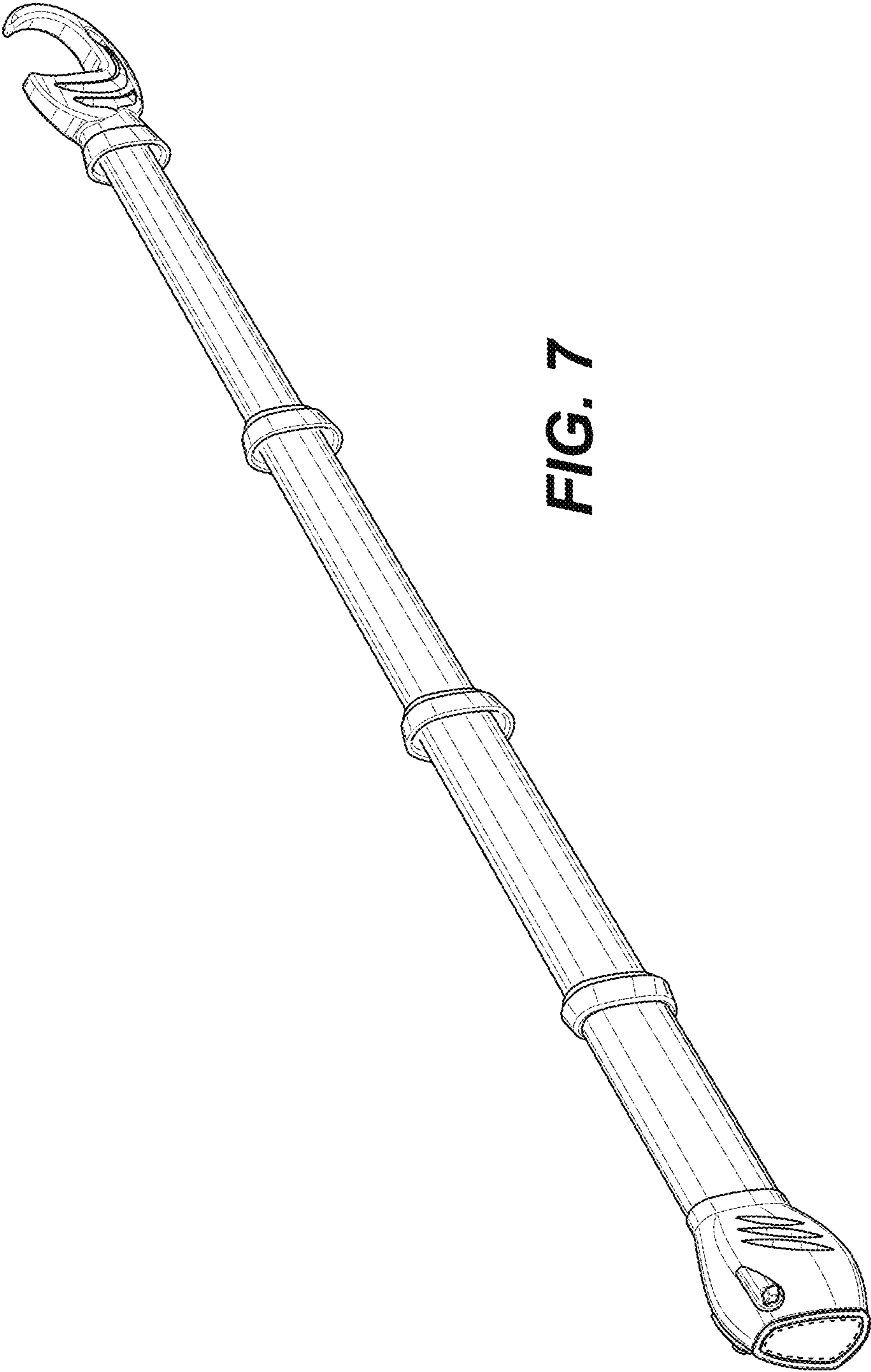


FIG. 7

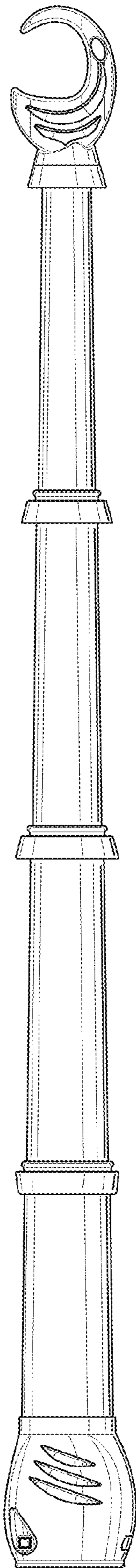


FIG. 8

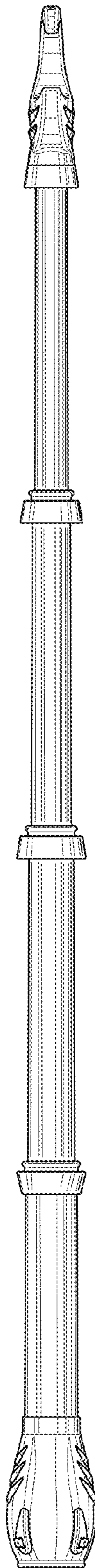


FIG. 9

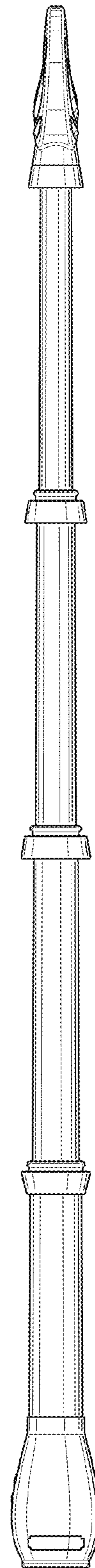


FIG. 10