



US00D901173S

(12) **United States Design Patent**
Mezzalira

(10) **Patent No.:** **US D901,173 S**
(45) **Date of Patent:** **** Nov. 10, 2020**

(54) **HOSE BAG**

EM 004171122-0001 8/2017
EM 004171122-0002 8/2017
EM 005133139-0001 3/2018

(71) Applicant: **Fitt S.p.A.**, Sandrigo (IT)

(72) Inventor: **Alessandro Mezzalira**, Vicenza (IT)

(73) Assignee: **Fitt S.p.A.**, Sandrigo (VI) (IT)

(**) Term: **15 Years**

(21) Appl. No.: **29/713,227**

(22) Filed: **Nov. 14, 2019**

OTHER PUBLICATIONS

IdroEasy "Irrigation Solutions" (2016) <https://www.idroeasy.com/?lang=en>.

* cited by examiner

Primary Examiner — Holly H Baynham

(74) *Attorney, Agent, or Firm* — Kilyk & Bowersox, P.L.L.C.

Related U.S. Application Data

(63) Continuation of application No. 29/669,445, filed on Nov. 8, 2018, now Pat. No. Des. 871,058.

(51) **LOC (12) Cl.** **03-01**

(52) **U.S. Cl.**
USPC **D3/246**

(58) **Field of Classification Search**
USPC D3/232–233, 240–243, 245–246
CPC A45C 1/024; A45C 3/06; A45C 3/08
See application file for complete search history.

(56) **References Cited**

U.S. PATENT DOCUMENTS

D404,913 S * 2/1999 Campbell D3/245
D604,043 S 11/2009 Hawbaker
D763,570 S 8/2016 Potts
D768,378 S 10/2016 Schilp
D871,058 S * 12/2019 Mezzalira D3/232

FOREIGN PATENT DOCUMENTS

EM 003313709-0001 7/2016
EM 003313709-0002 7/2016
EM 004028553-0001 6/2017

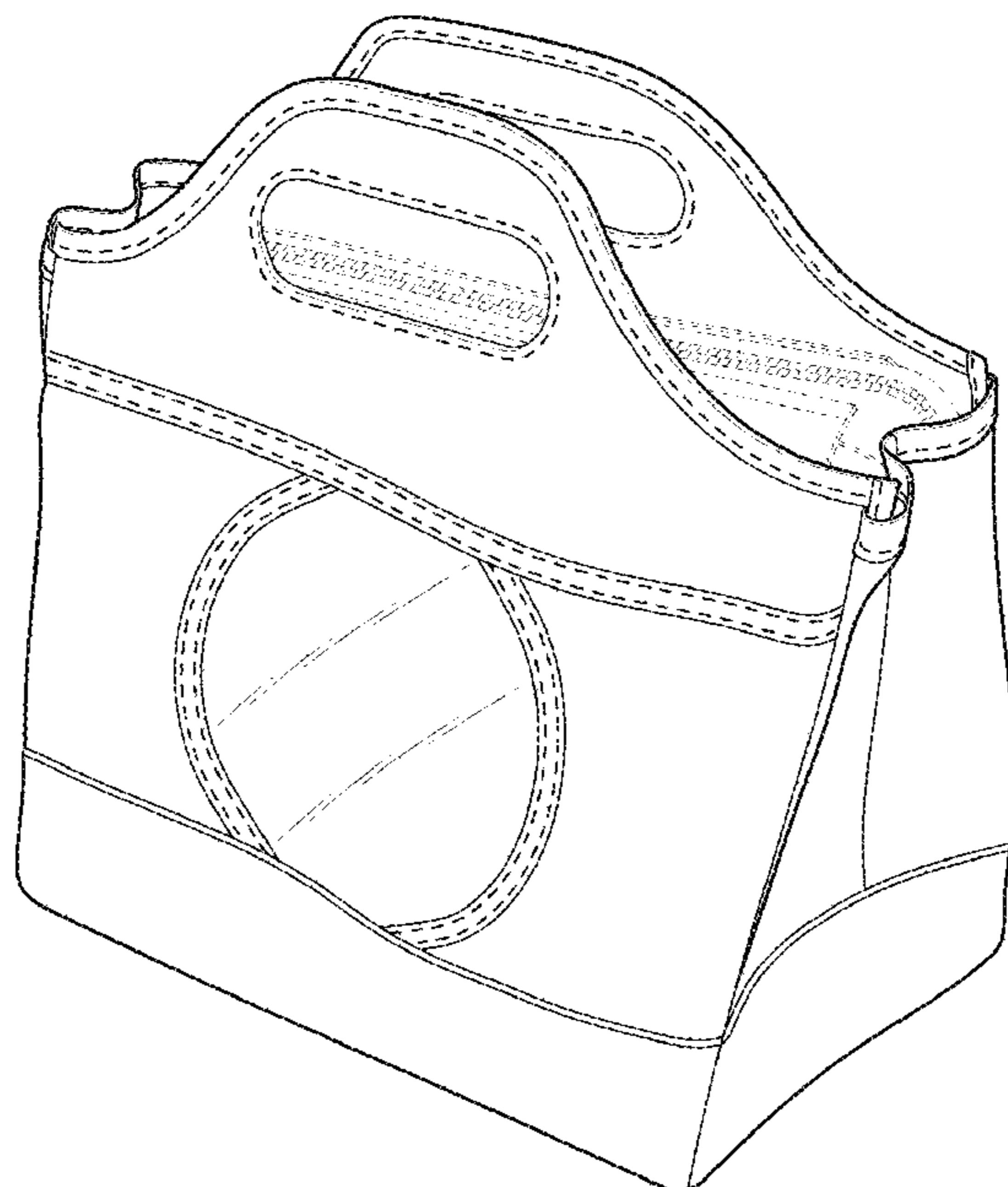
(57) **CLAIM**

The ornamental design for a hose bag, as shown and described.

DESCRIPTION

FIG. 1 is a front, top, right-side perspective view of the hose bag of the present invention;
FIG. 2 is a front view of the hose bag design shown in FIG. 1;
FIG. 3 is a back view of the hose bag design shown in FIGS. 1 and 2;
FIG. 4 is a top view of the hose bag design shown in FIGS. 1-3; and,
FIG. 5 is a back, bottom, left-side view of the hose bag design shown in FIGS. 1-4, with a back, bottom, right-side perspective view being a mirror-image of FIG. 5.
The drawings show a hose bag.
The zipper, zipper pull tab, zipper slider body, and zipper flaps are shown in broken lines and form no part of the claimed design. Broken lines shown elsewhere in the drawings depict lines of stitching and do form part of the claimed design. All broken lines shown in FIG. 5 depict lines of stitching and do form part of the claimed design.

1 Claim, 5 Drawing Sheets



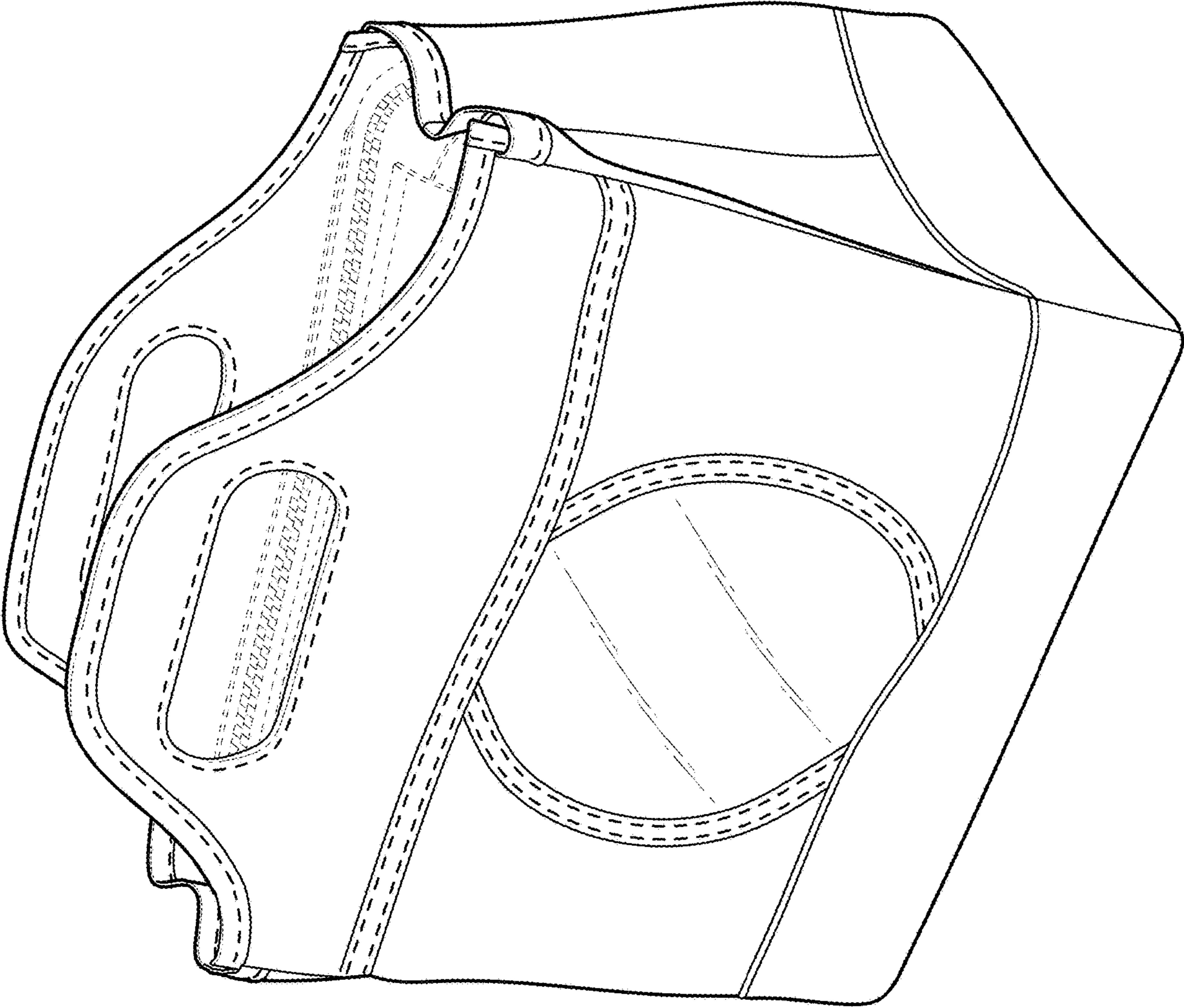


FIG. 1

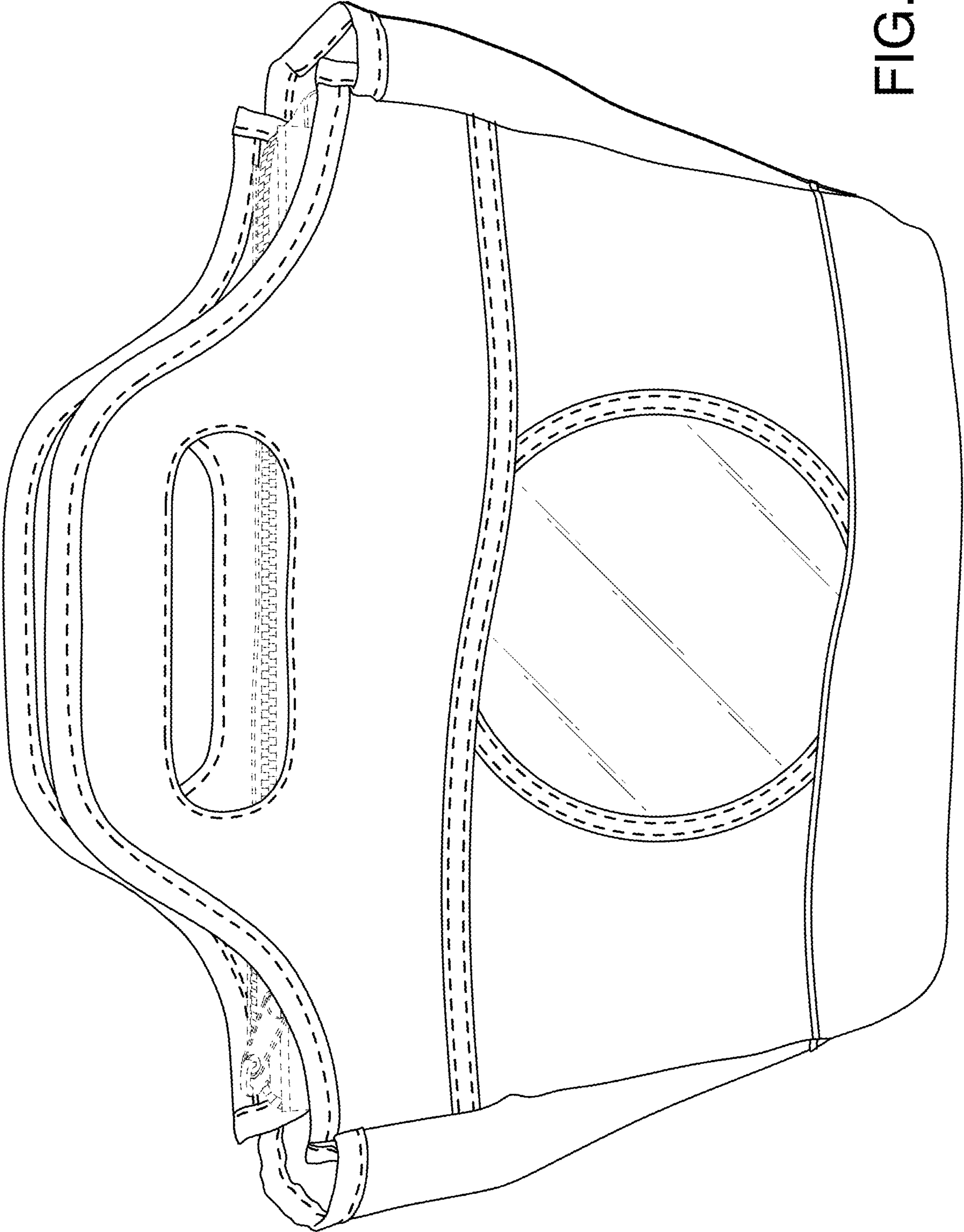


FIG. 2

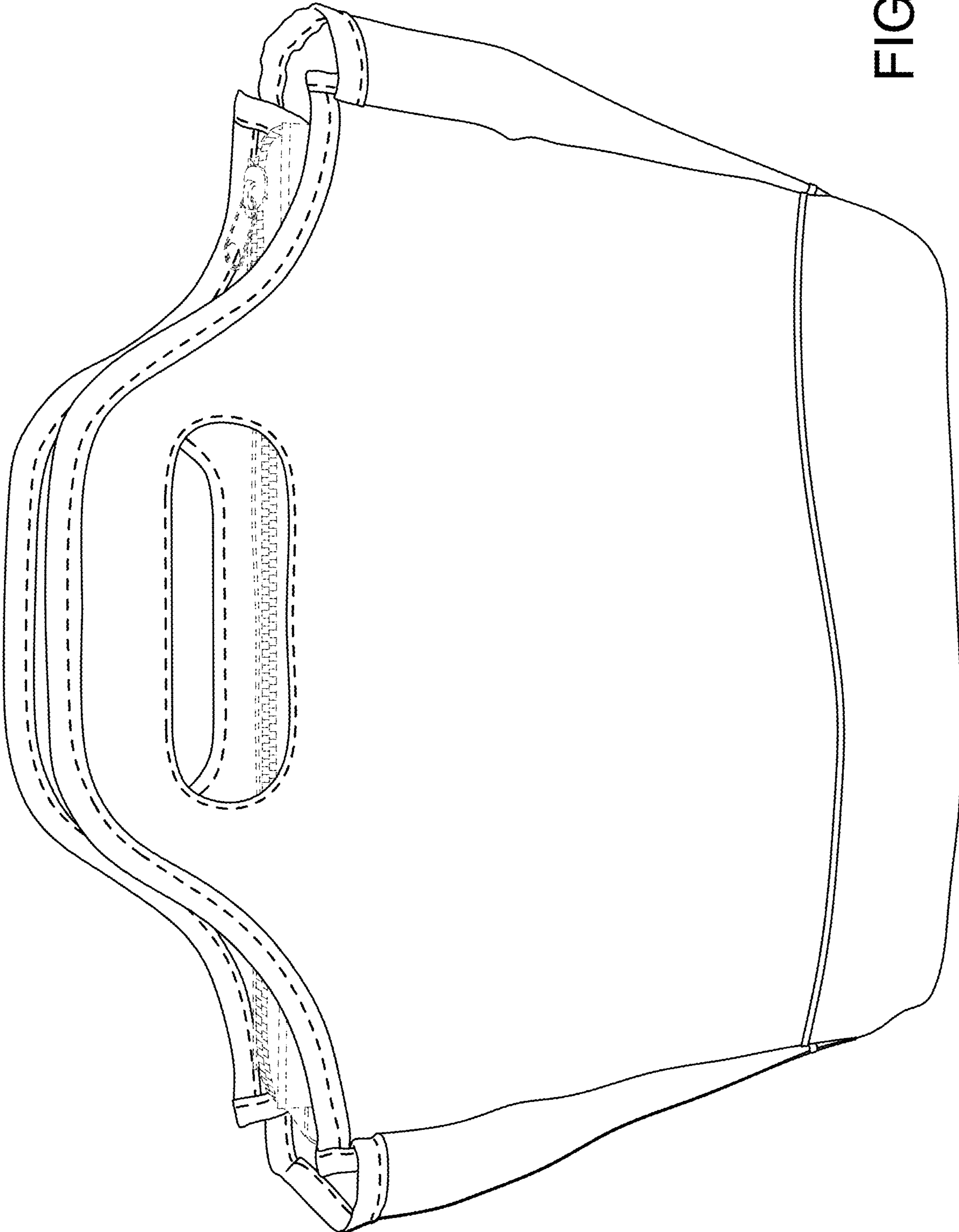


FIG.3

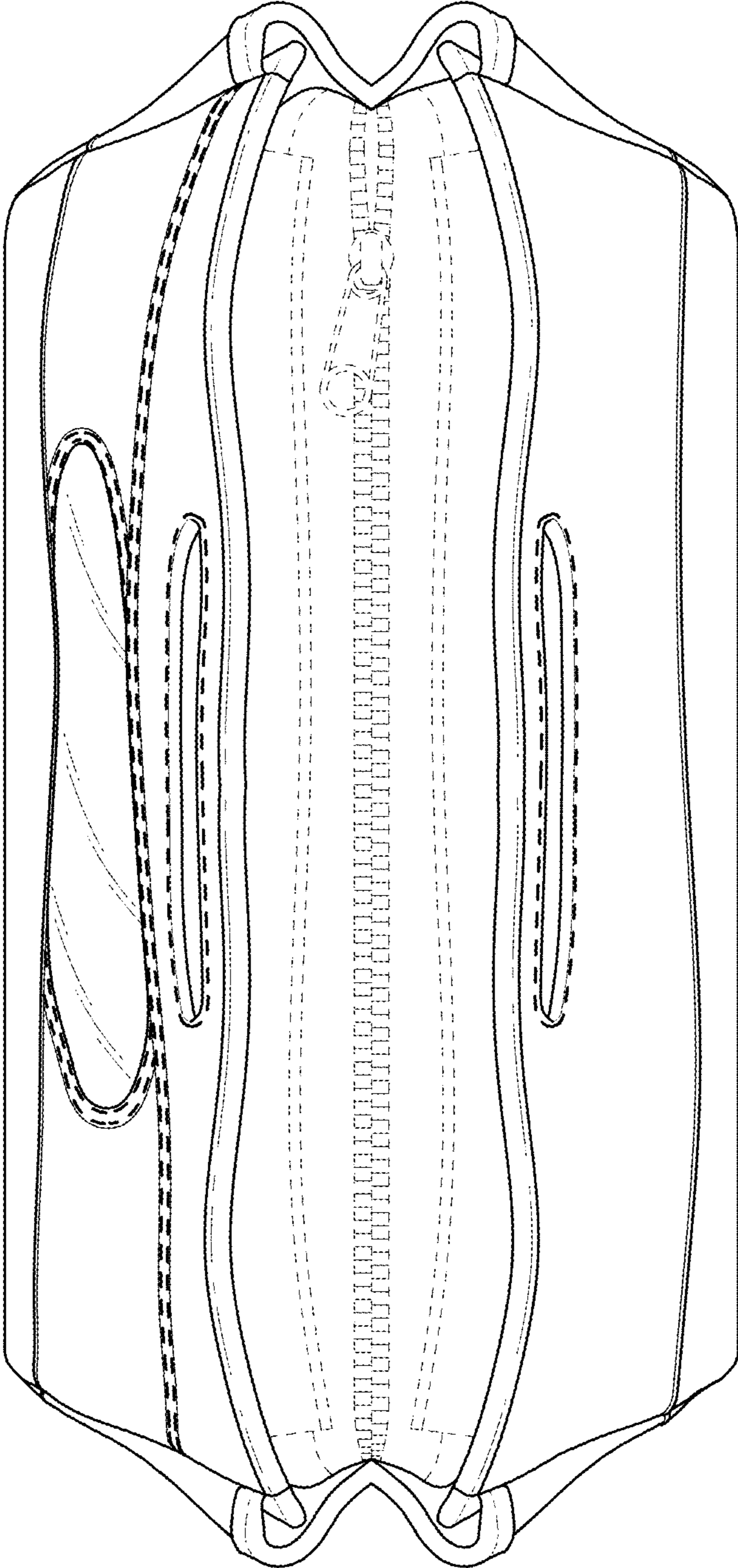


FIG.4

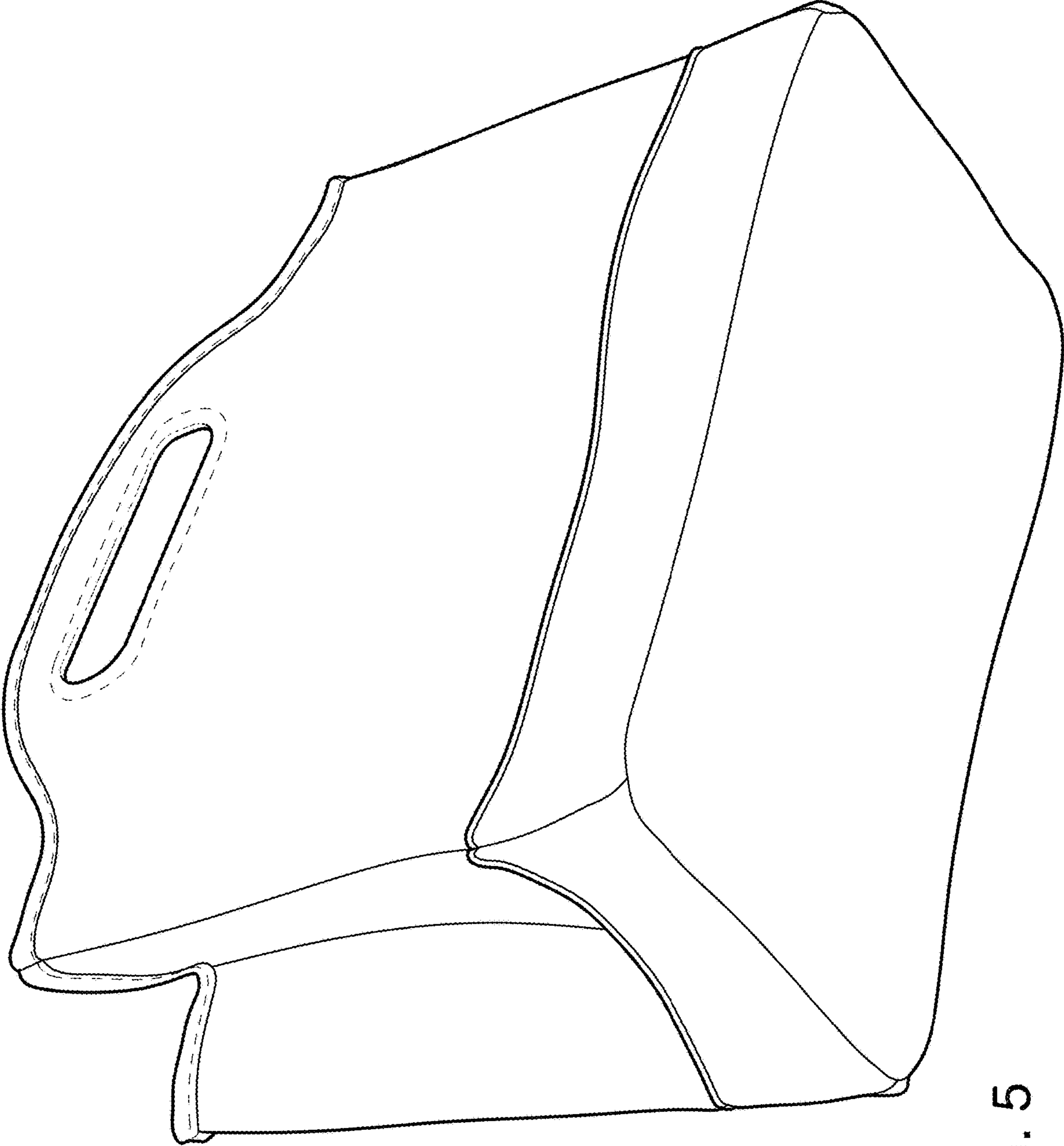


FIG. 5