



US00D901170S

(12) **United States Design Patent** (10) **Patent No.:** **US D901,170 S**
Sassi (45) **Date of Patent:** **** Nov. 10, 2020**

(54) **BAG**
(71) Applicant: **Valentino S.p.A.**, Milan (IT)
(72) Inventor: **Stefano Sassi**, Milan (IT)
(**) Term: **15 Years**
(21) Appl. No.: **35/507,549**
(22) Filed: **Jun. 6, 2019**

D266,201 S * 9/1982 Berman 224/240
D336,987 S * 7/1993 Imbert D3/243
D529,283 S * 10/2006 Vivar D3/247
D698,547 S * 2/2014 Deneve D3/243
D773,810 S * 12/2016 Jacobs D3/243
D829,438 S * 10/2018 Sukhaya D3/243
D833,740 S * 11/2018 Sassi D3/243
D851,397 S * 6/2019 Li D3/240
D854,317 S * 7/2019 Rahardjo D3/243
D857,384 S * 8/2019 Vaccarello D3/243
D865,358 S * 11/2019 Rahardjo D3/243

* cited by examiner

(80) **Hague Agreement Data**

Int. Filing Date: **Jun. 6, 2019**
Int. Reg. No.: **DM/203468**
Int. Reg. Date: **Jun. 6, 2019**
Int. Reg. Pub. Date: **Oct. 25, 2019**

Primary Examiner — Holly E Thurman

(51) **LOC (12) Cl.** **03-01**
(52) **U.S. Cl.**
USPC **D3/232; D3/243**
(58) **Field of Classification Search**
USPC D3/201, 216, 232–233, 240–243,
D3/245–247, 299, 303, 318
CPC A45C 1/024; A45C 3/06
See application file for complete search history.

(57) **CLAIM**

The ornamental design for a bag, as shown and described.

DESCRIPTION

- 1. Bag
- 1.1 : Perspective
- 1.2 : Front
- 1.3 : Back
- 1.4 : Left
- 1.5 : Right
- 1.6 : Top
- 1.7 : Bottom

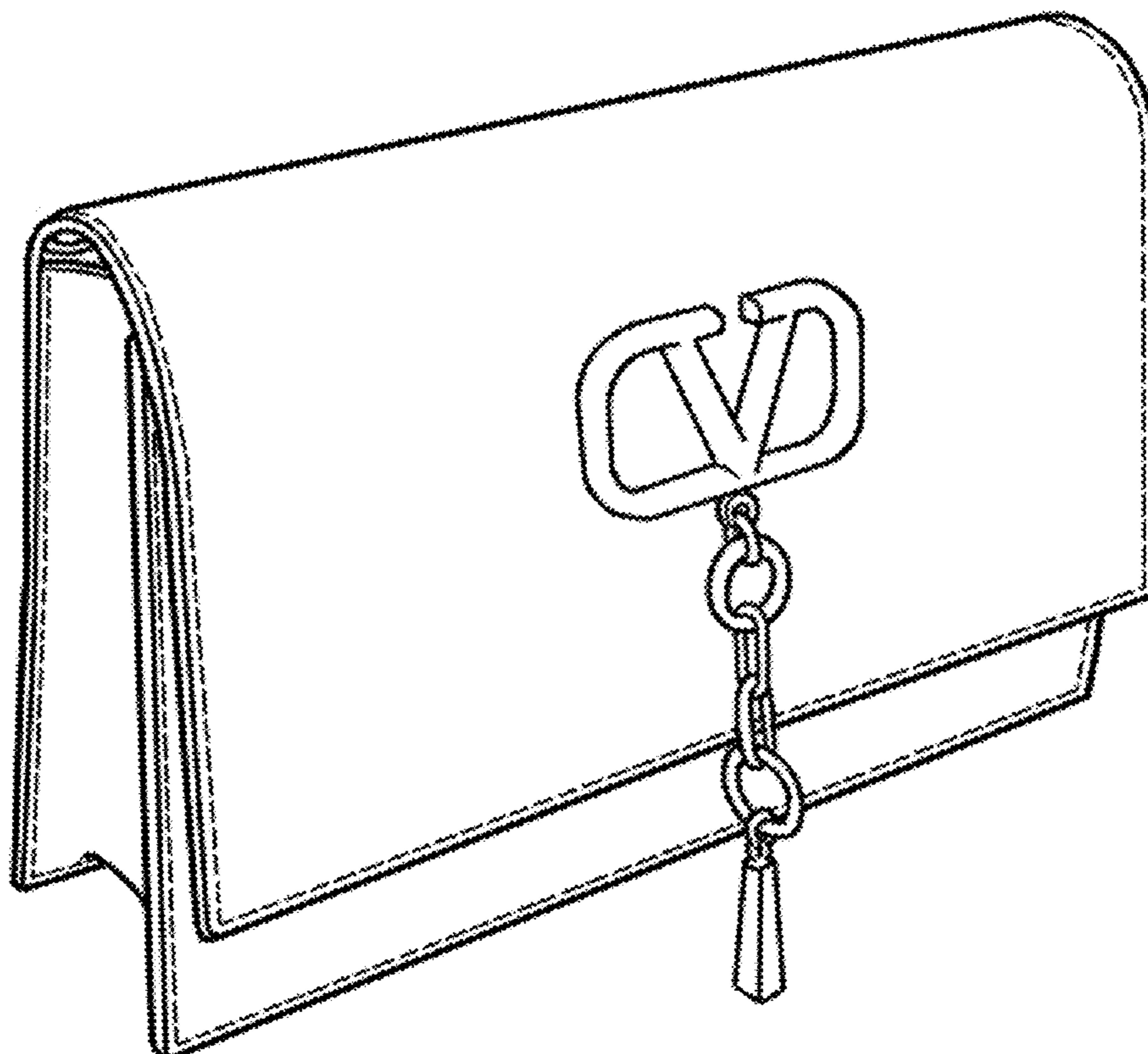
The broken lines in the figures depict stitching and form no part of the claim.

(56) **References Cited**

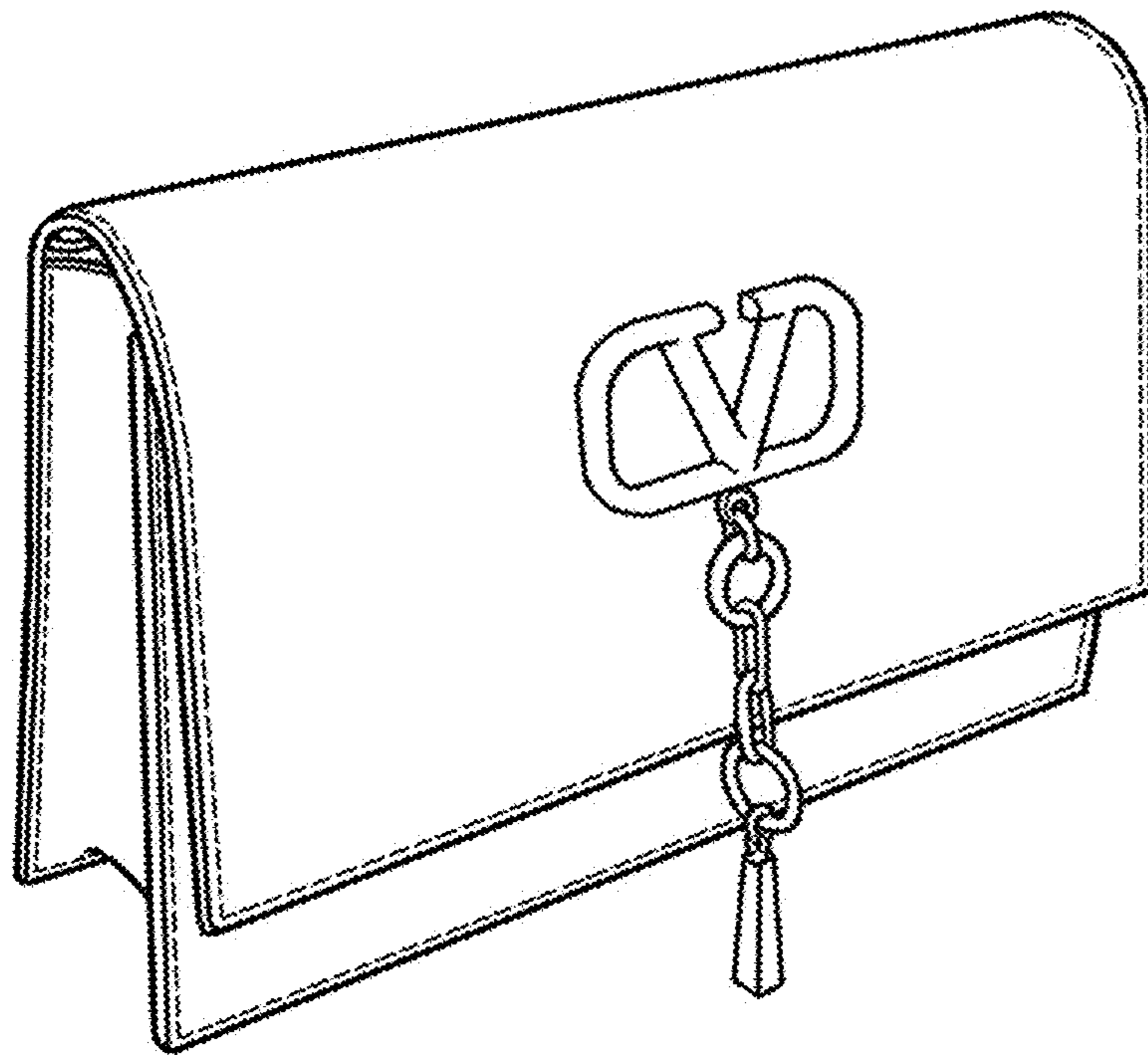
U.S. PATENT DOCUMENTS

D88,393 S * 11/1932 White D3/243
D104,075 S * 4/1937 Lewis D3/243

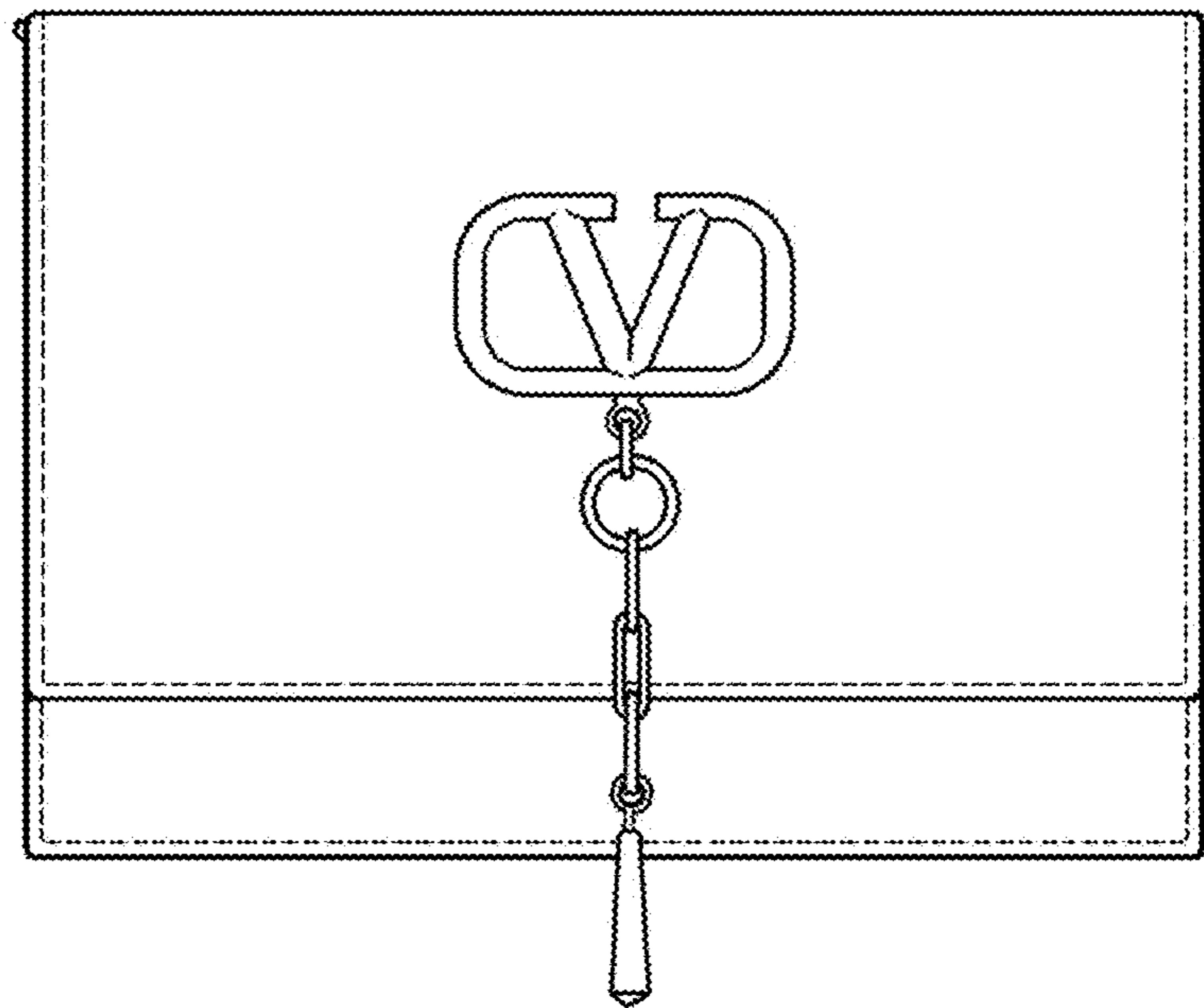
1 Claim, 7 Drawing Sheets



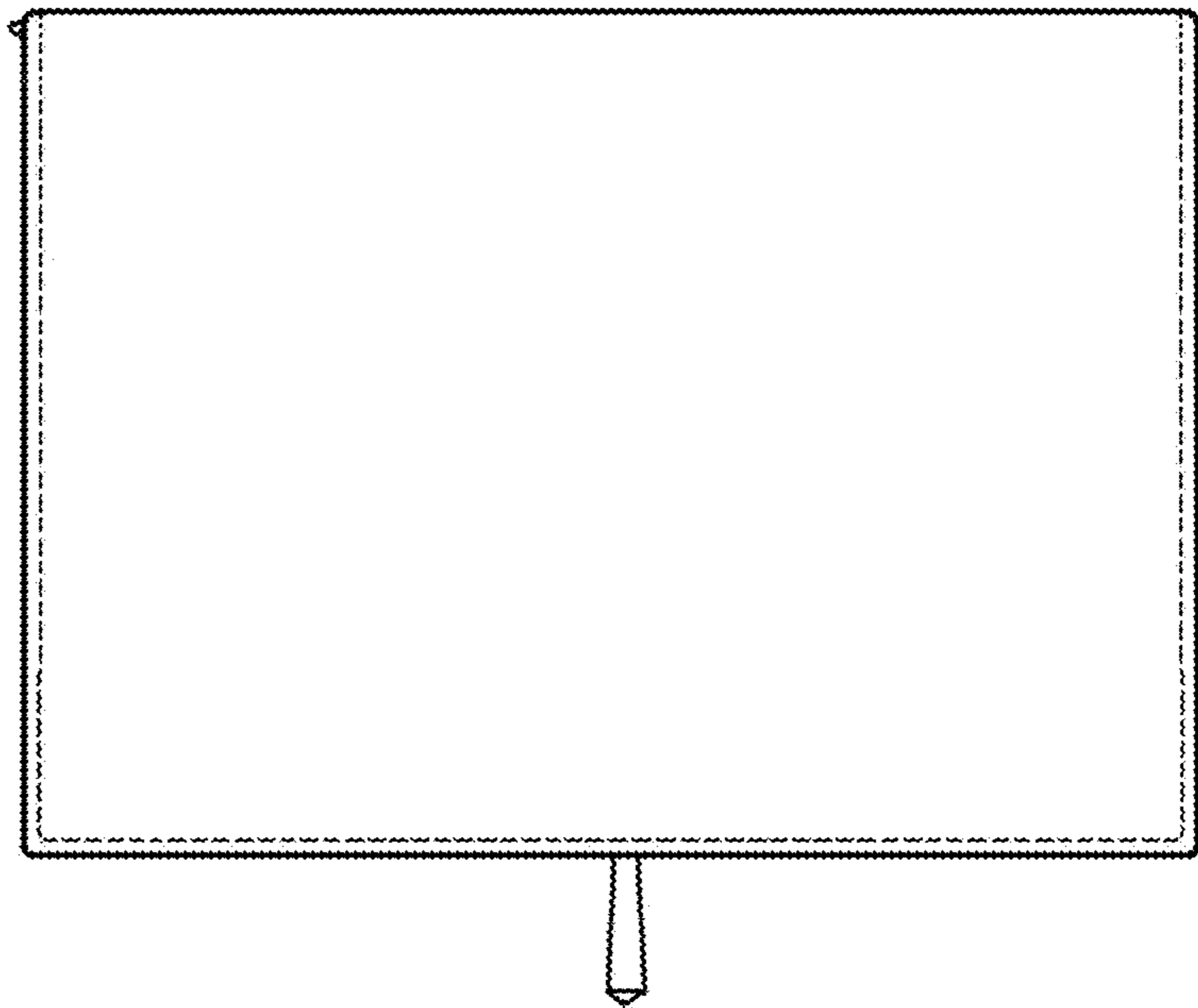
1.1



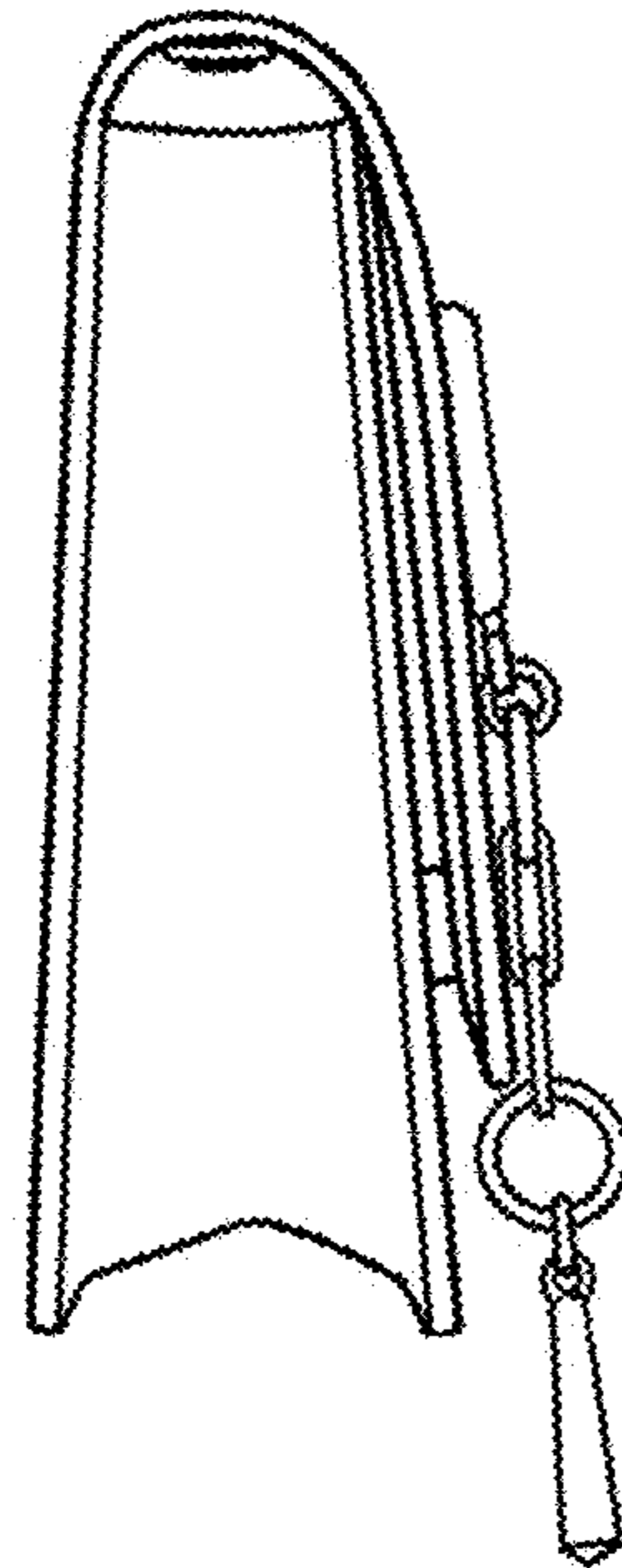
1.2



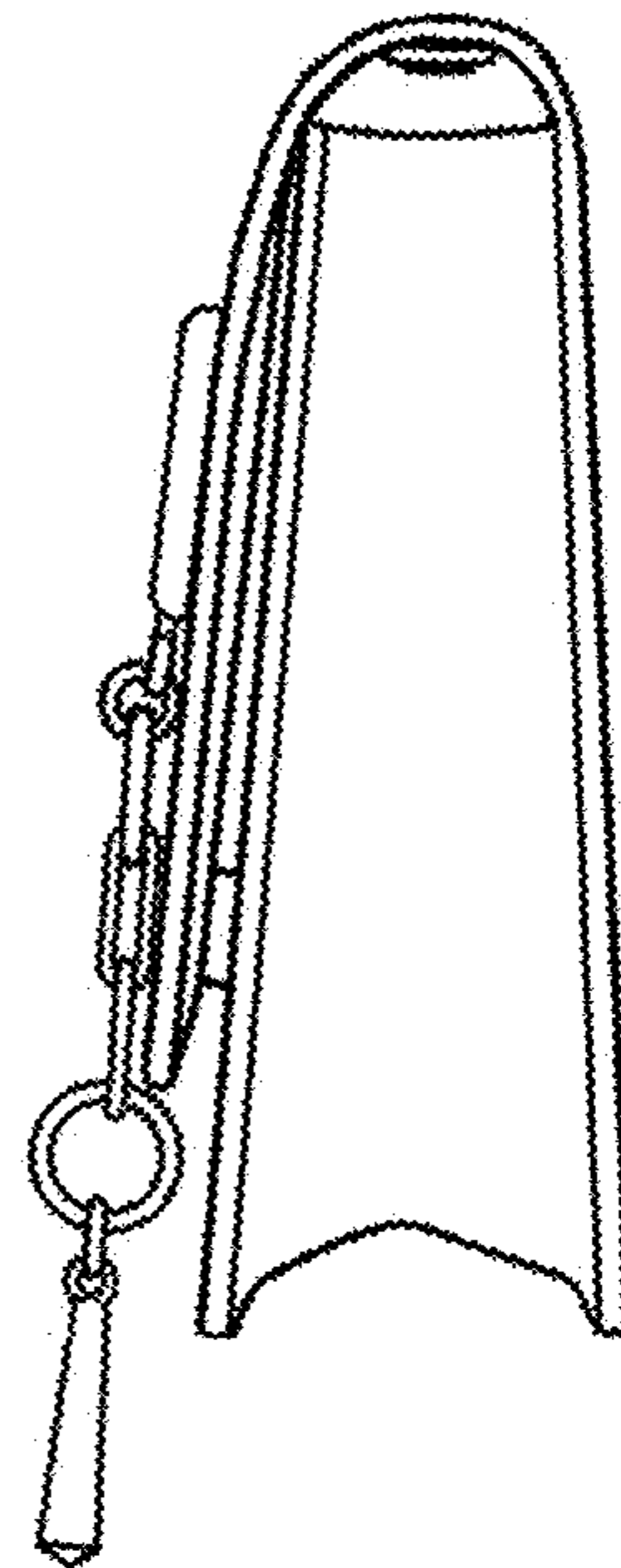
1.3



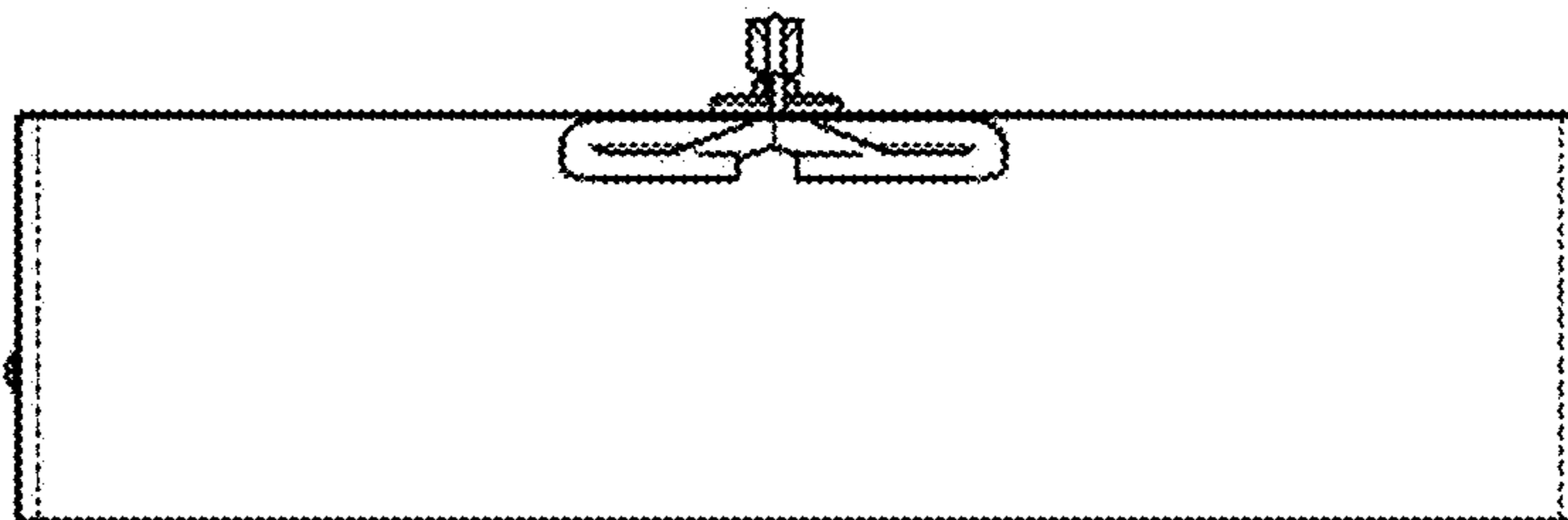
1.4



1.5



1.6



1.7

