



US00D901169S

(12) **United States Design Patent** (10) **Patent No.:** **US D901,169 S**  
**Thibadeau** (45) **Date of Patent:** **\*\* Nov. 10, 2020**

(54) **BACKPACK**

(71) Applicant: **Thule Sweden AB**, Hillerstorp (SE)

(72) Inventor: **Mark Thibadeau**, Boulder, CO (US)

(73) Assignee: **Thule Sweden AB**, Hillerstorp (SE)

(\*\*) Term: **15 Years**

(21) Appl. No.: **29/659,064**

(22) Filed: **Aug. 6, 2018**

(51) **LOC (12) Cl.** ..... **03-01**

(52) **U.S. Cl.**

USPC ..... **D3/217**

(58) **Field of Classification Search**

USPC ..... D3/216, 217, 274, 276, 279, 283, 289,  
D3/290, 321, 900, 902, 243, 226

CPC . A45F 3/04; A45F 3/047; A45C 15/00; A45C  
3/00

See application file for complete search history.

(56) **References Cited**

**U.S. PATENT DOCUMENTS**

D451,274 S *	12/2001	Kegels .....	D3/216
D706,027 S *	6/2014	Hock .....	D3/216
D836,326 S *	12/2018	Skaff .....	D3/217
D843,714 S *	3/2019	Sheikh .....	D3/217
D859,819 S *	9/2019	Mather .....	D3/217
D865,355 S *	11/2019	Benzon .....	D3/217
2010/0108731 A1 *	5/2010	Rowe .....	A45F 3/042 224/654
2015/0351510 A1 *	12/2015	Zwetzig .....	A45C 11/38 206/316.2
2017/0325573 A1 *	11/2017	Sutovsky .....	A45F 4/02

**OTHER PUBLICATIONS**

Amazon, "Thule Crossover 2 Laptop Backpack, 20L", First reviewed Dec. 12, 2018. (<https://www.amazon.com/dp/B07H5WSDZZ>) (Year: 2018).\*

Amazon, "Thule Crossover 32L Backpack—Black by Thule" Amazon.com, May 1, 2011, Available here <[https://www.amazon.com/d/Laptop-Backpacks/Thule-Crossover-32L-Backpack-Black/B004XANKVO/ref=sr\\_1\\_3?ie=UTF8&qid=1542211216&sr=8-3&keywords=Thule+Crossover+32L+Backpack-+Black](https://www.amazon.com/d/Laptop-Backpacks/Thule-Crossover-32L-Backpack-Black/B004XANKVO/ref=sr_1_3?ie=UTF8&qid=1542211216&sr=8-3&keywords=Thule+Crossover+32L+Backpack-+Black)>.

Amazon, "Thule TCBP-417 Crossover 32 L Backpack, Black by Thule" Amazon.com, Mar. 7, 2014, Available here <[https://www.amazon.com/Thule-TCBP-417-Crossover-Backpack-Black/dp/B00J082HU4/ref=sr\\_1\\_1?ie=UTF8&qid=1542211876&sr=8-1&keywords=thule+tcbp-417+crossover+32l+backpack%2C+black](https://www.amazon.com/Thule-TCBP-417-Crossover-Backpack-Black/dp/B00J082HU4/ref=sr_1_1?ie=UTF8&qid=1542211876&sr=8-1&keywords=thule+tcbp-417+crossover+32l+backpack%2C+black)>.

Amazon, "Thule Crossover 25L Laptop Backpack—Black by Thule" Amazon.com, Mar. 7, 2014, Available here <[https://www.amazon.com/Thule-Crossover-25L-Laptop-backpack-Black/dp/B00J082KK6/ref=sr\\_1\\_3?ie=UTF8&qid=1542212083&sr=8-3&keywords=thule+crossover+25l+laptop+backpack+black](https://www.amazon.com/Thule-Crossover-25L-Laptop-backpack-Black/dp/B00J082KK6/ref=sr_1_3?ie=UTF8&qid=1542212083&sr=8-3&keywords=thule+crossover+25l+laptop+backpack+black)>.

\* cited by examiner

*Primary Examiner* — April Rivas

(74) *Attorney, Agent, or Firm* — Sterne, Kessler, Goldstein & Fox P.L.L.C.

(57) **CLAIM**

The ornamental design for a backpack, as shown and described.

**DESCRIPTION**

FIG. 1 is a top front perspective view of a backpack showing the claimed design;

FIG. 2 is a top rear perspective view thereof;

FIG. 3 is a front view thereof;

FIG. 4 is a rear view thereof;

FIG. 5 is a left side view thereof;

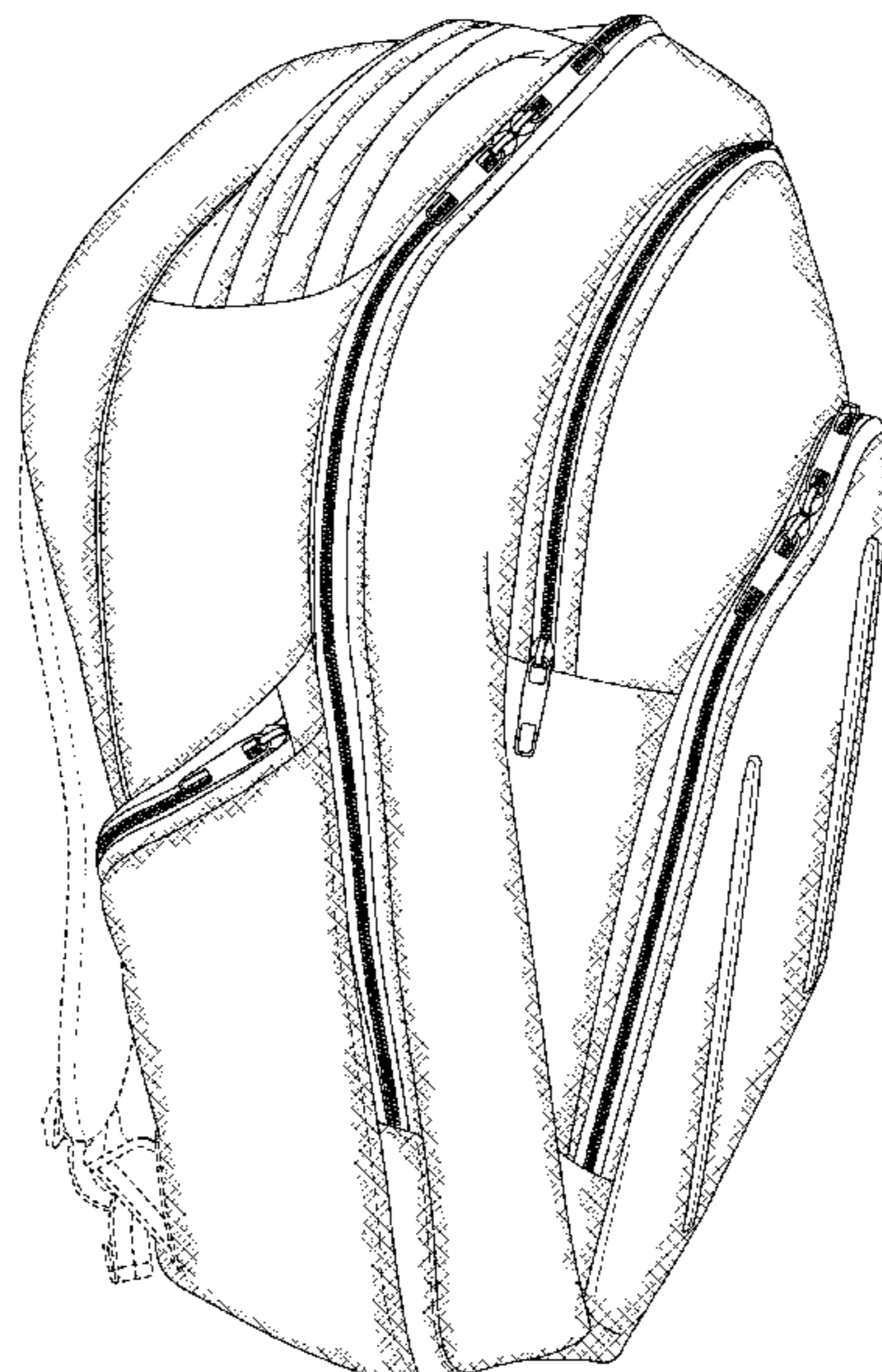
FIG. 6 is a right side view thereof;

FIG. 7 is a top view thereof; and,

FIG. 8 is a bottom view thereof.

The broken lines in the figures show portions of the backpack that form no part of the claimed design.

**1 Claim, 8 Drawing Sheets**



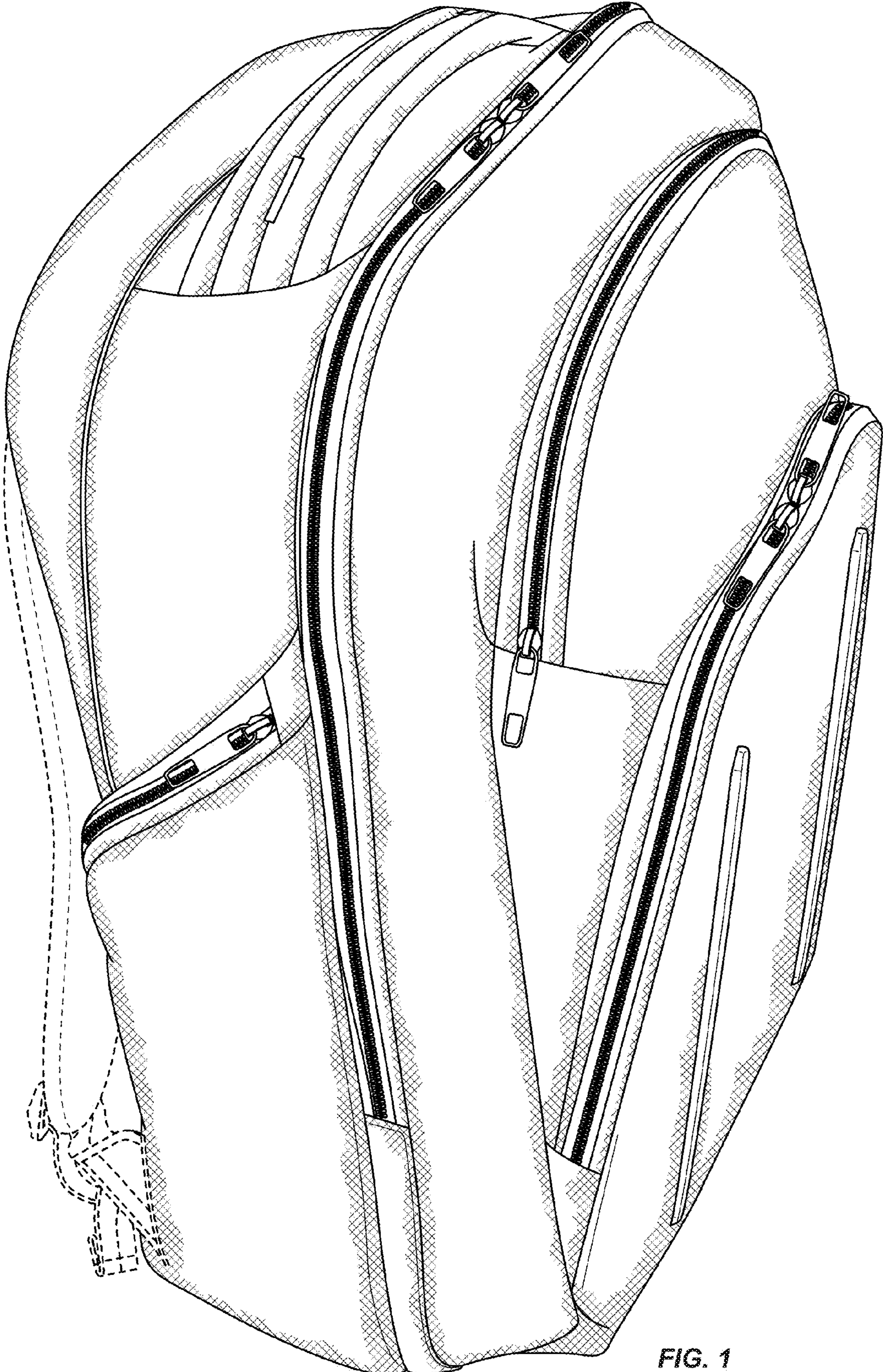


FIG. 1

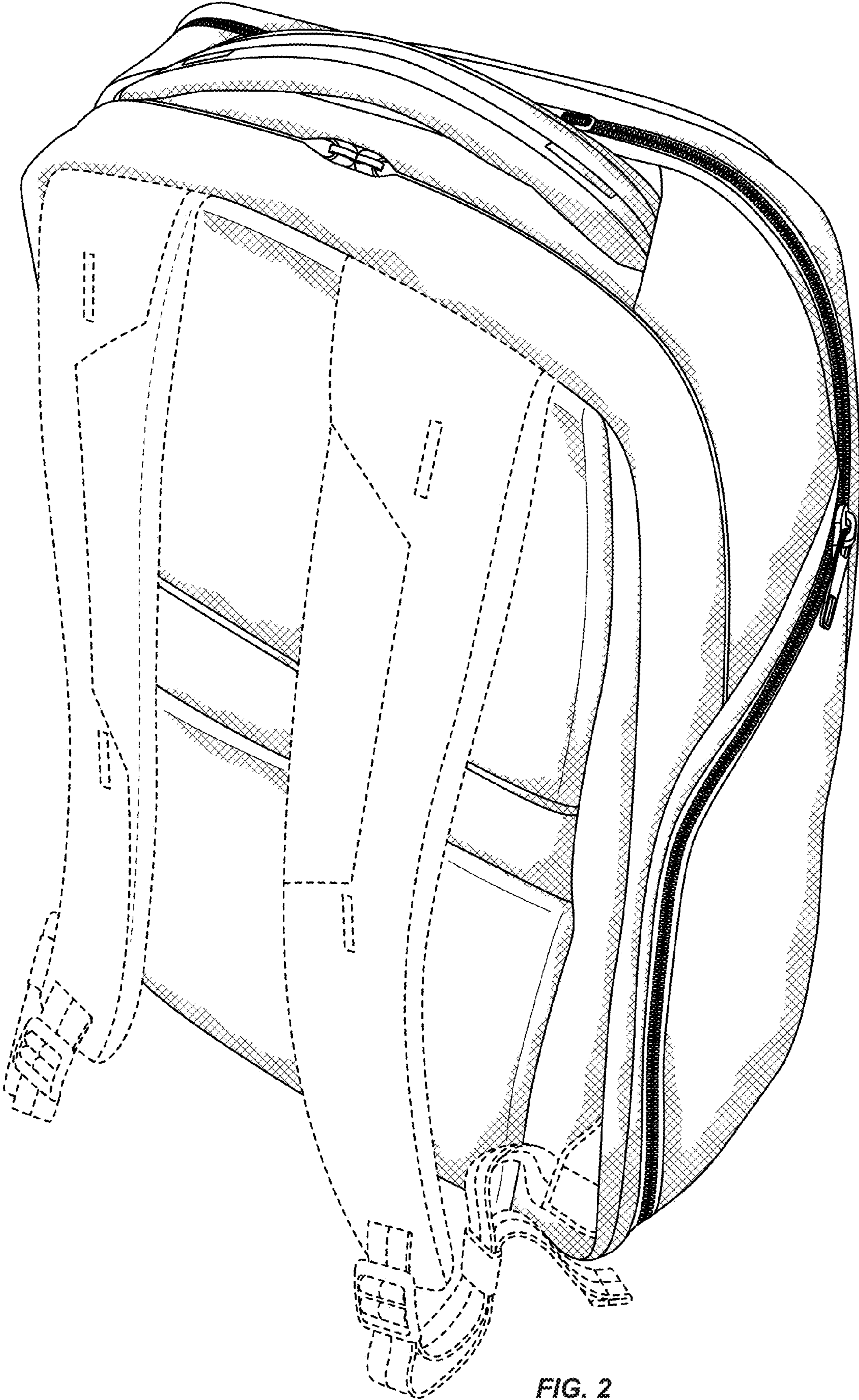


FIG. 2

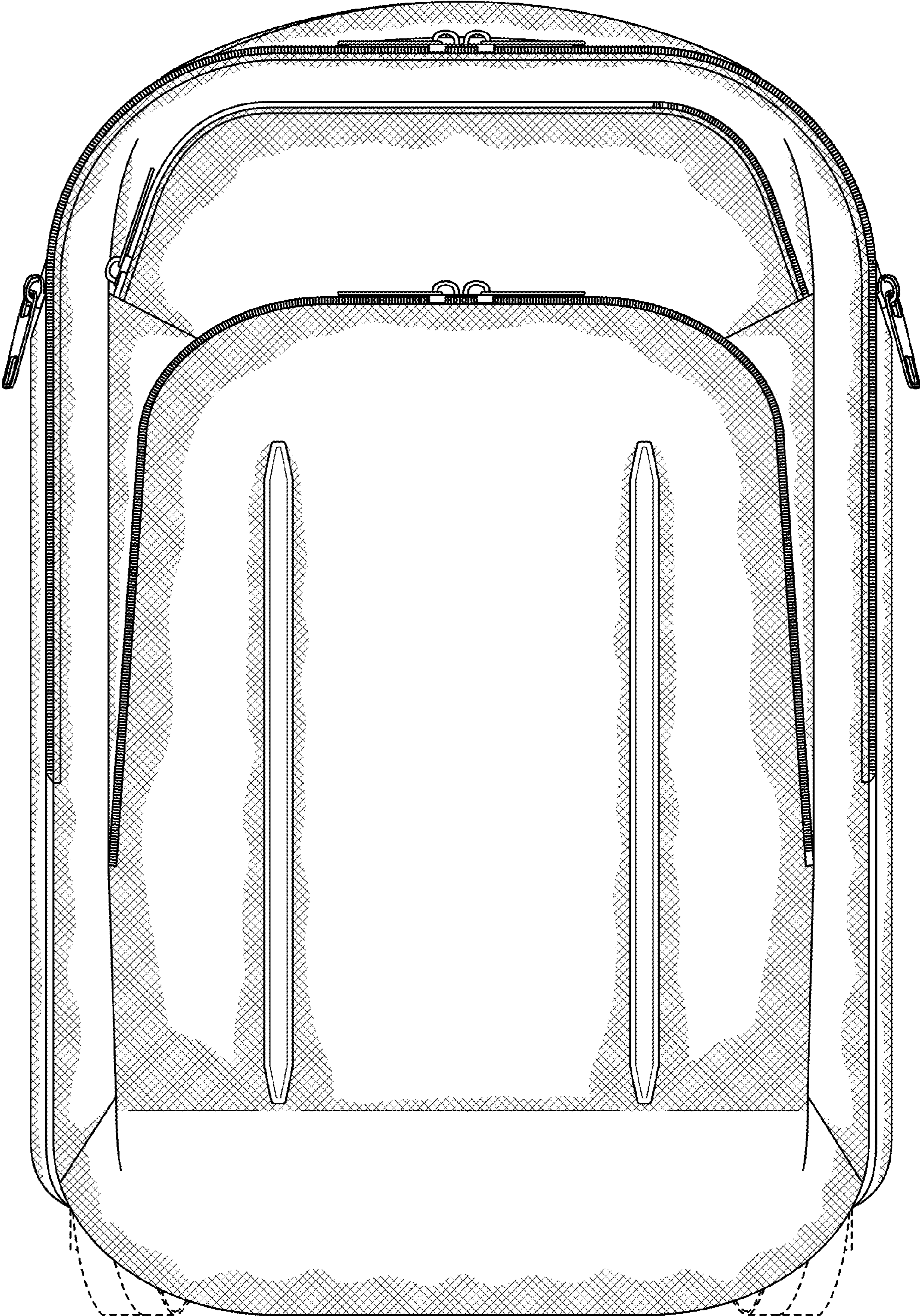


FIG. 3

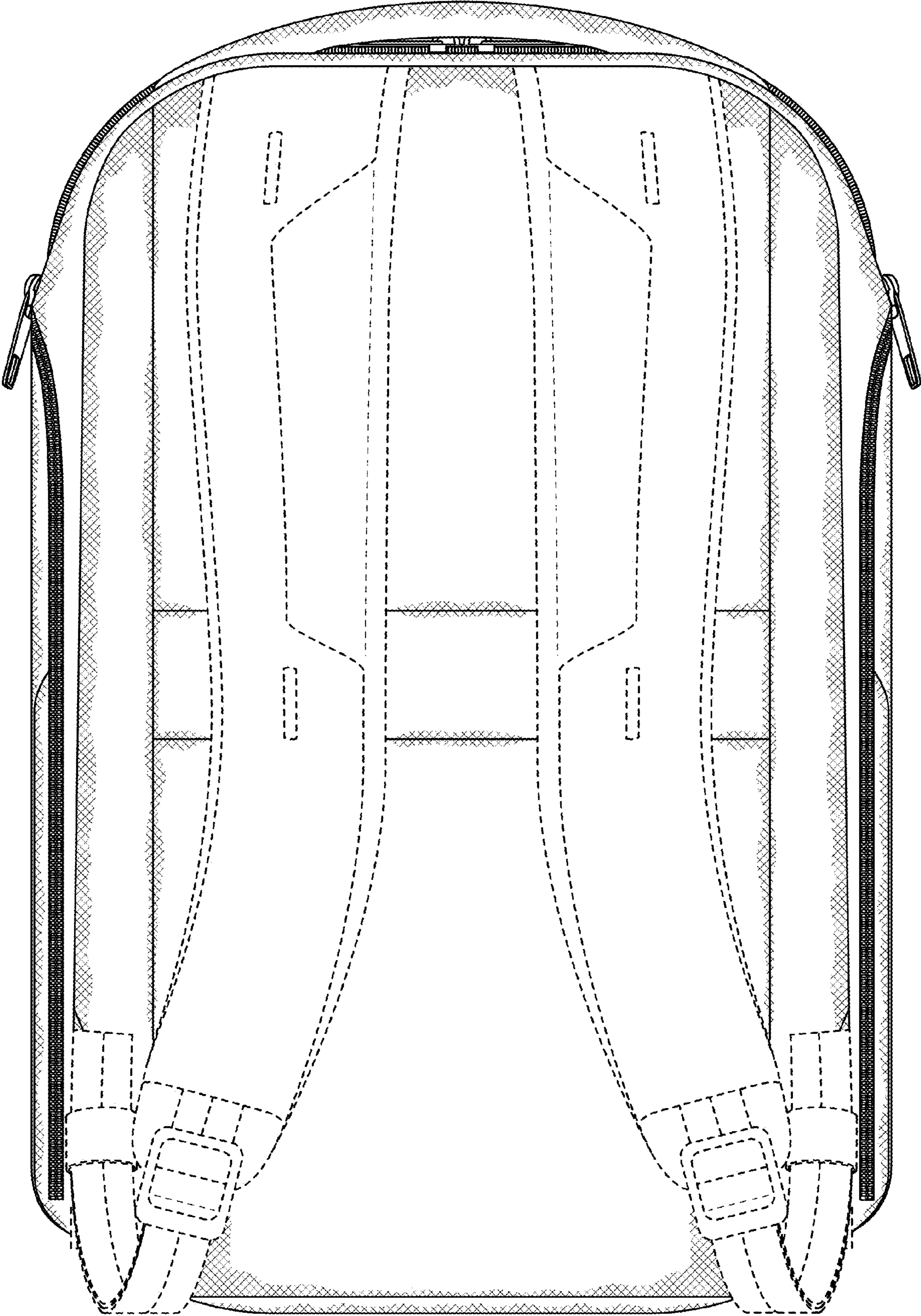


FIG. 4

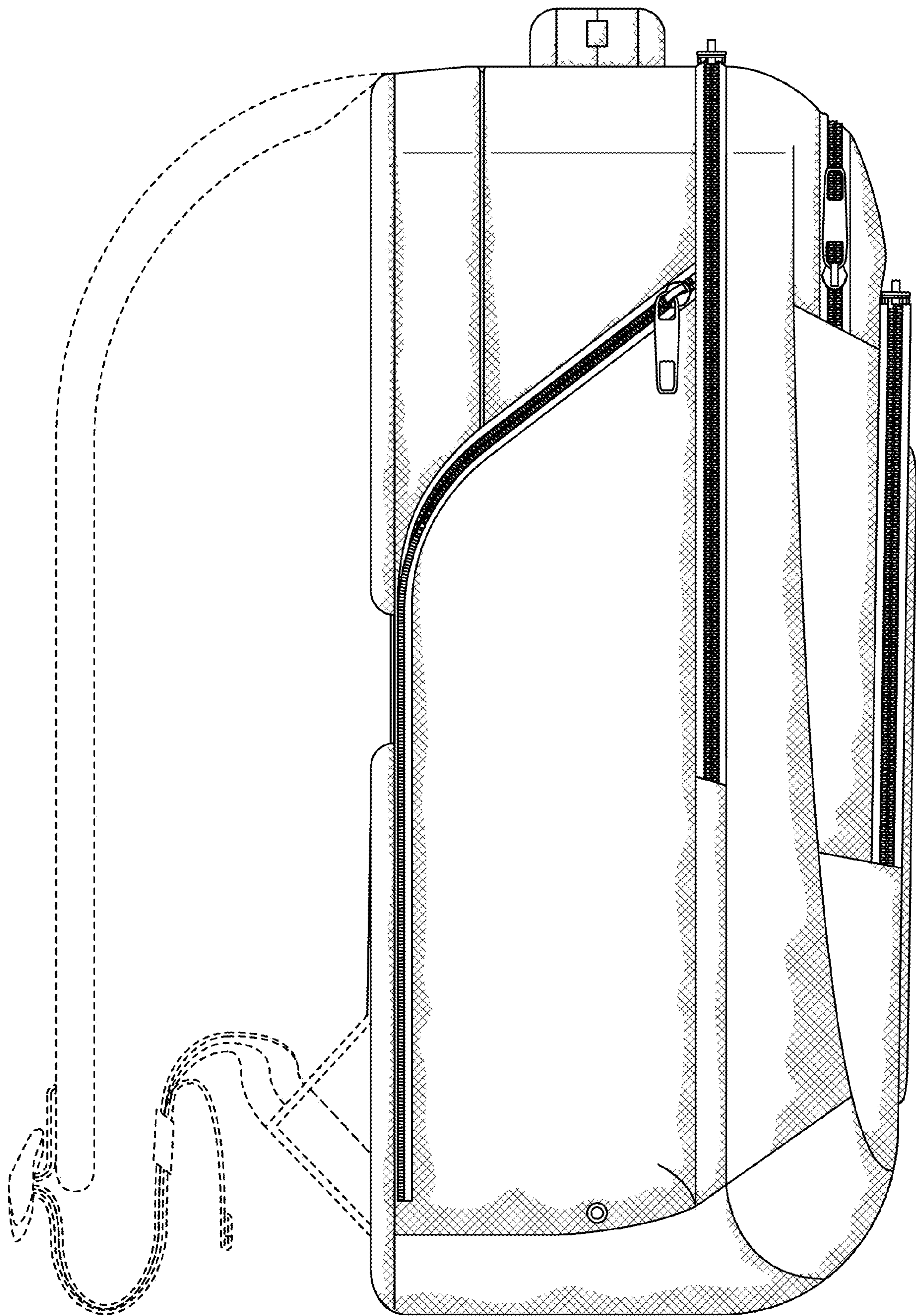


FIG. 5

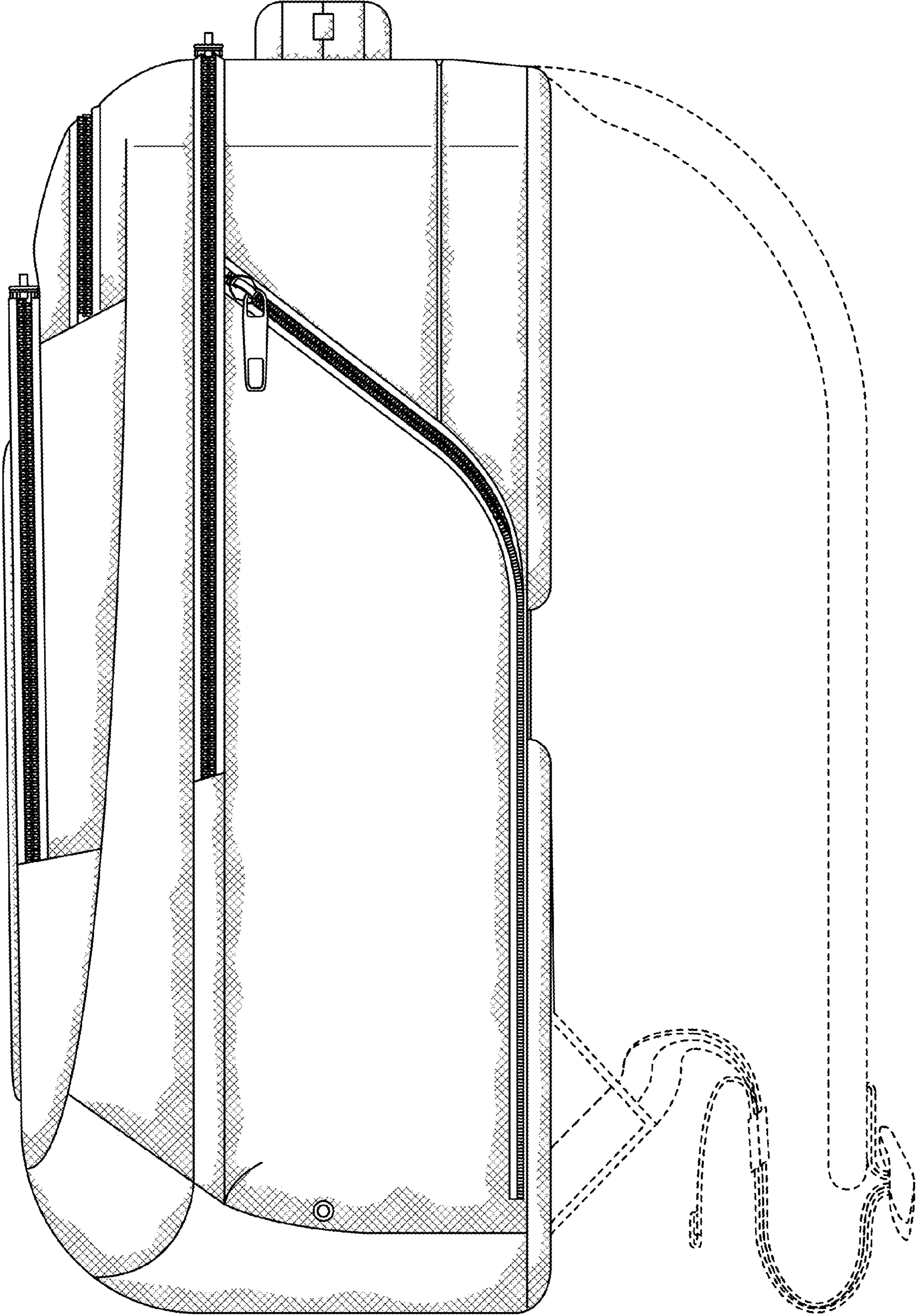


FIG. 6

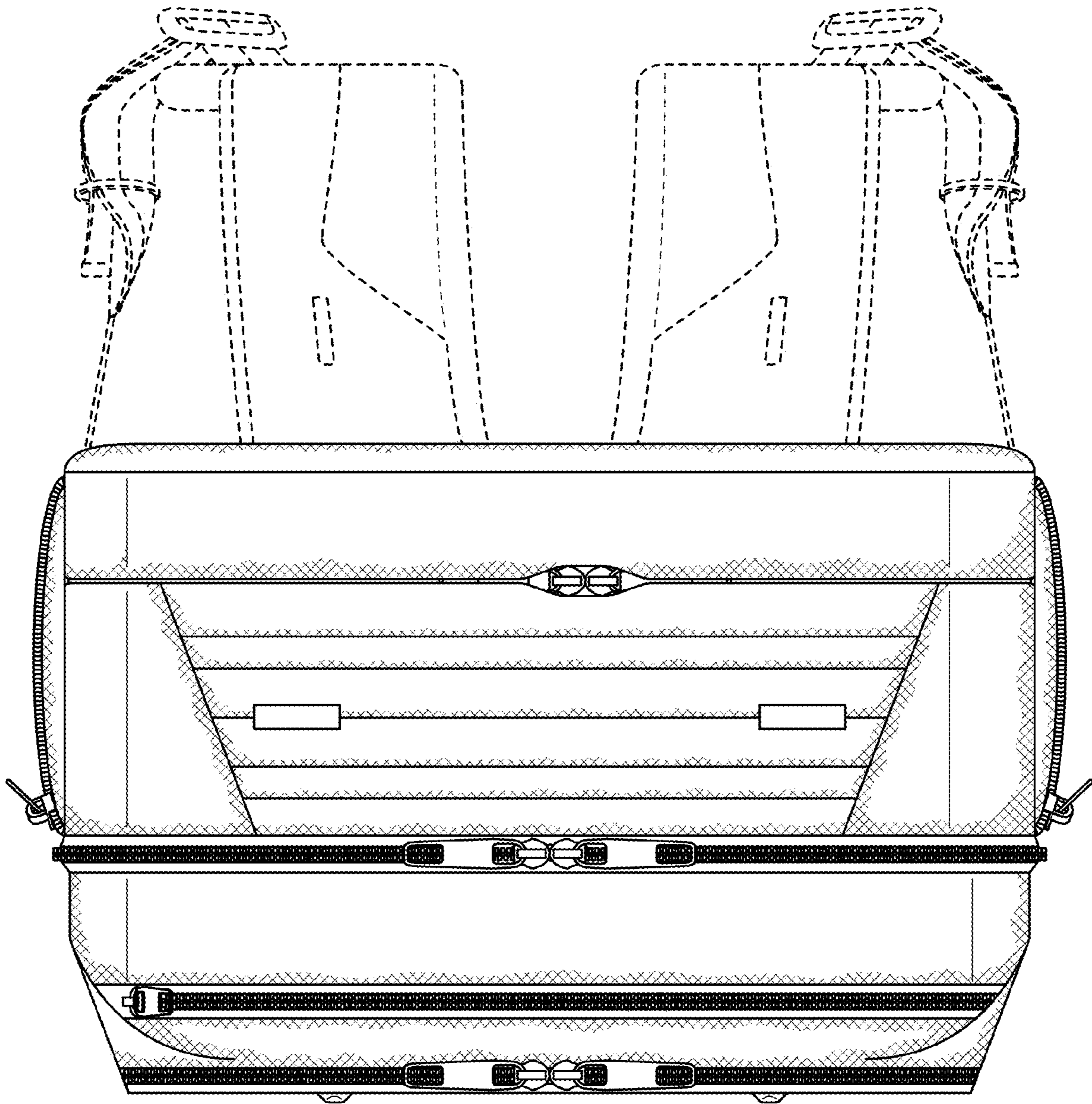


FIG. 7



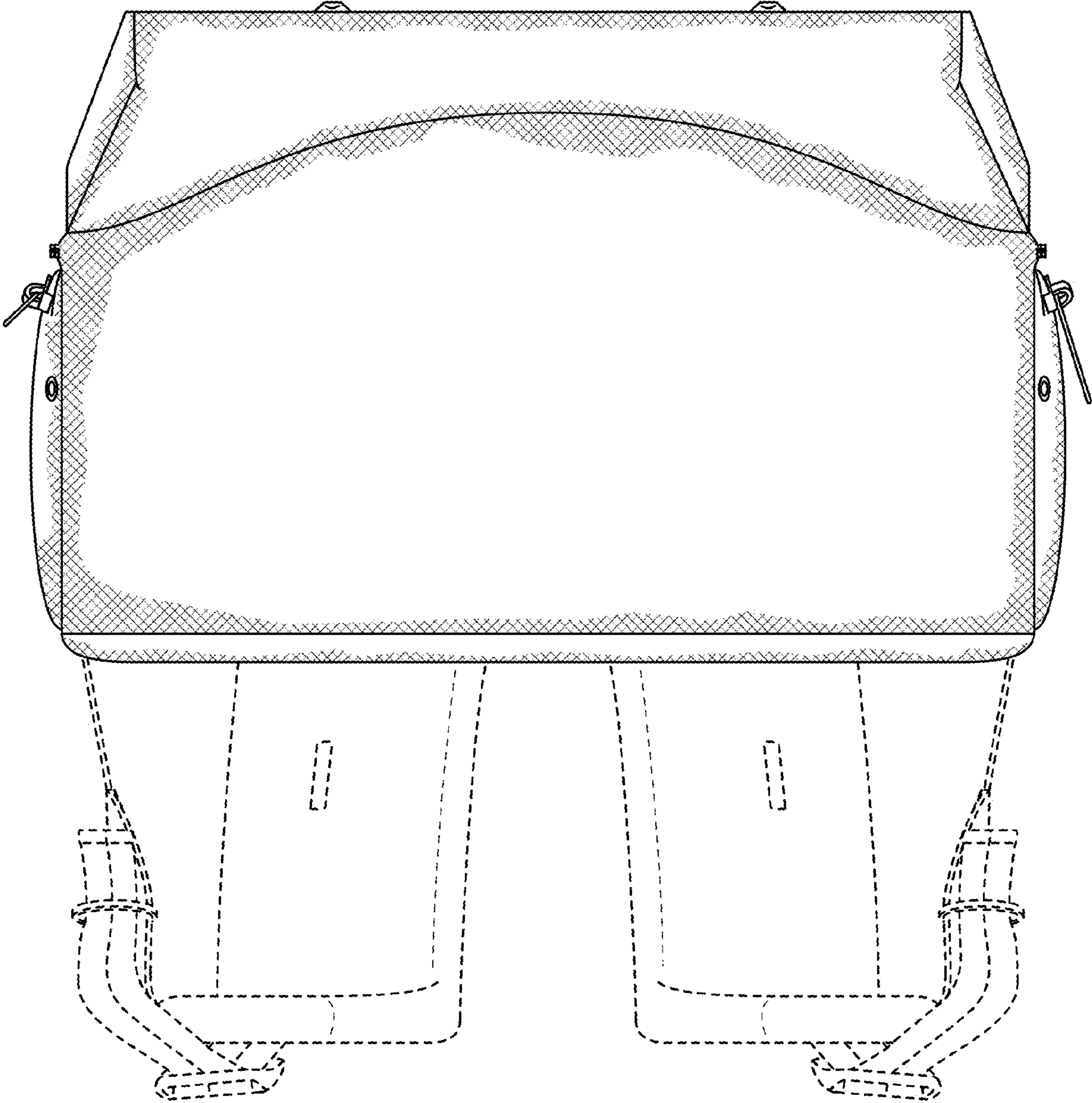


FIG. 8