



US00D901167S

(12) **United States Design Patent** (10) **Patent No.:** **US D901,167 S**
Li et al. (45) **Date of Patent:** **** Nov. 10, 2020**

(54) **TRAVEL CASE FOR ELECTRIC TOOTHBRUSH**
(71) Applicant: **Beijing Xiaomi Mobile Software Co., Ltd.**, Beijing (CN)
(72) Inventors: **Ningning Li**, Beijing (CN); **Tuo Zhou**, Beijing (CN); **Lei Zhang**, Beijing (CN)
(73) Assignee: **Beijing Xiaomi Mobile Software Co., Ltd.**, Beijing (CN)

D273,427 S * 4/1984 Barradas D28/38
D360,525 S * 7/1995 Entwistle D3/273
D411,767 S * 7/1999 Keller D28/83
D485,680 S * 1/2004 Hasenfrantz D3/215
D623,407 S * 9/2010 Raile D3/263
D641,971 S * 7/2011 Shibata D3/206
D731,784 S * 6/2015 McGarry D3/205
D822,374 S * 7/2018 Hung D3/201
D866,164 S * 11/2019 Chen D3/205
2016/0317268 A1 * 11/2016 Dietzel A61L 2/26

(**) Term: **15 Years**

(21) Appl. No.: **35/506,795**

(22) Filed: **Dec. 6, 2018**

(80) **Hague Agreement Data**

Int. Filing Date: **Dec. 6, 2018**
Int. Reg. No.: **DM/200270**
Int. Reg. Date: **Dec. 6, 2018**
Int. Reg. Pub. Date: **Jun. 7, 2019**

(30) **Foreign Application Priority Data**

Jun. 8, 2018 (CN) 2018 3 0288458

(51) **LOC (12) Cl.** **03-01**

(52) **U.S. Cl.**
USPC **D3/205**

(58) **Field of Classification Search**
USPC D3/201, 205, 206, 263, 265, 273, 294,
D3/901, 903, 318, 323, 290, 315, 316;
D4/108; D28/73, 99; D9/738
CPC A45C 5/00; A45C 5/005; A45D 44/18;
B65D 47/00; B65D 47/08; B65D 47/0876
See application file for complete search history.

(56) **References Cited**

U.S. PATENT DOCUMENTS

D104,992 S * 6/1937 Cook D3/206
D259,524 S * 6/1981 Erdman D27/189

OTHER PUBLICATIONS

Amazon, Oral-B Premium Travel case, posted Oct. 22, 2016, [online], [visited Mar. 17, 2020]. Internet, <URL: https://www.amazon.co.uk/Oral-B-Premium-Handpiece-Replacement-Brushes/dp/B01DACNVZK/ref=olp_product_details?ie=UTF8&me=> (Year: 2016).*

Amazon, Poketech electric toothbrush travel case, posted Dec. 14, 2016, [online], [visited Mar. 17, 2020]. Internet, <URL: https://www.amazon.co.uk/Poketech-Electric-Toothbrush-Plastic-Philips/dp/B01MQVUNUB/?th=1> (Year: 2016).*

(Continued)

Primary Examiner — George D. Kirschbaum

Assistant Examiner — Samantha N Wood

(74) *Attorney, Agent, or Firm* — Syncoda LLC; Feng Ma

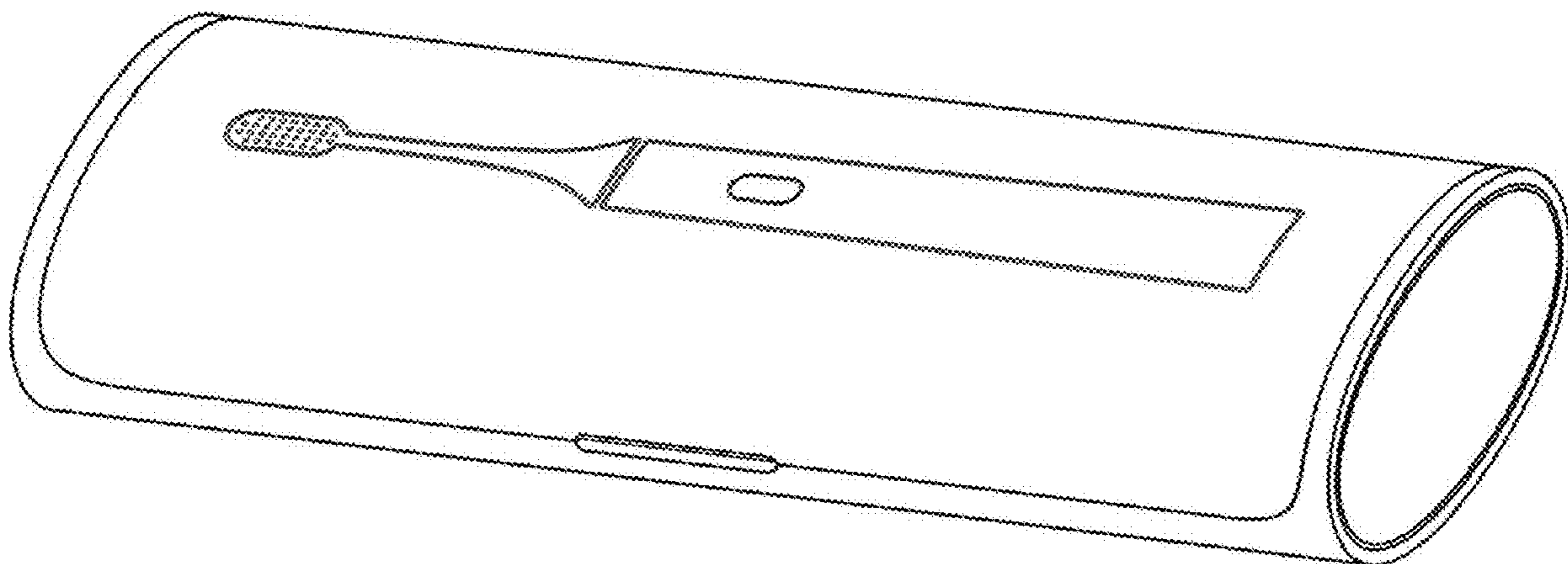
(57) **CLAIM**

The ornamental design for a travel case for electric toothbrush, as shown and described.

DESCRIPTION

- 1.1: Front
- 1.2: Rear
- 1.3: Left side
- 1.4: Right side
- 1.5: Top
- 1.6: Bottom
- 1.7: Perspective

1 Claim, 7 Drawing Sheets



(56)

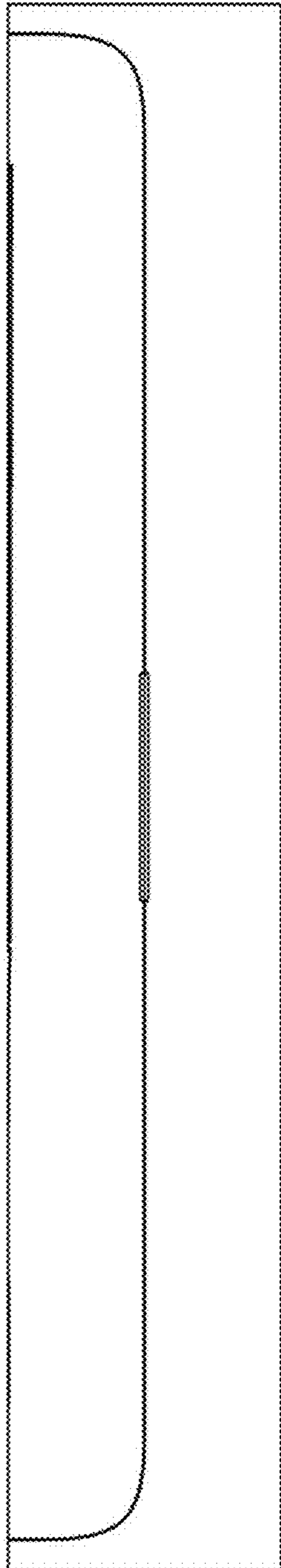
References Cited

OTHER PUBLICATIONS

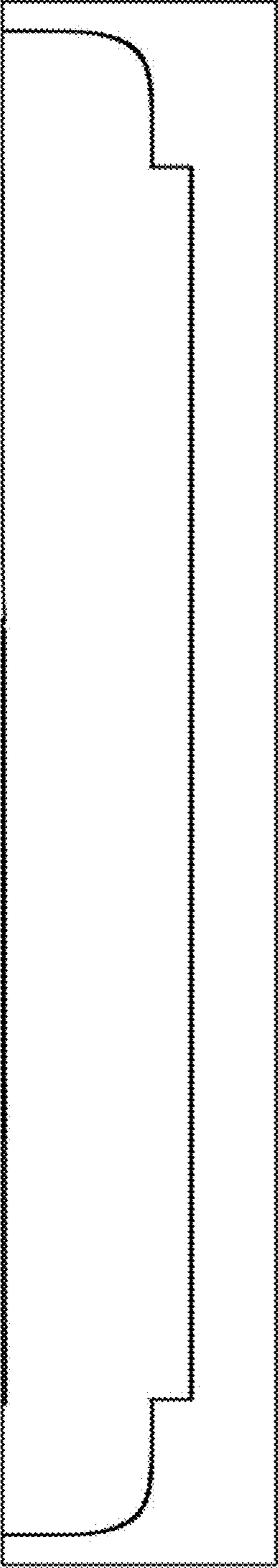
Youtube, Soocare Soocas X3 Toothbrush Travel Case from GearBest, posted May 26, 2017, [online], [visited Mar. 17, 2020]. Internet, <URL: <https://www.youtube.com/watch?v=JbngObDr8CE>> (Year: 2017).*

Indian Patent Office, Office Action Issued in Application No. 312842-001, dated Jan. 21, 2019, 11 pages.

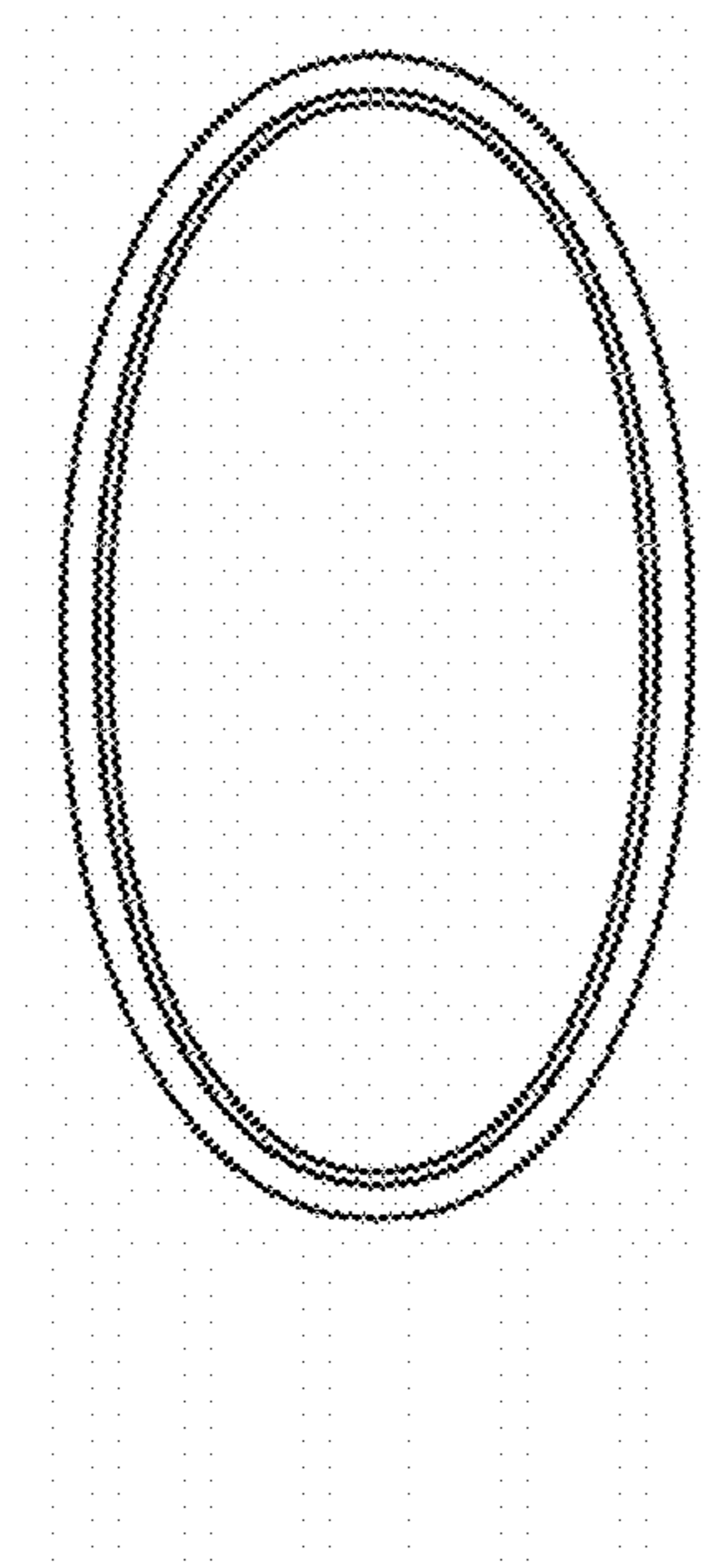
* cited by examiner



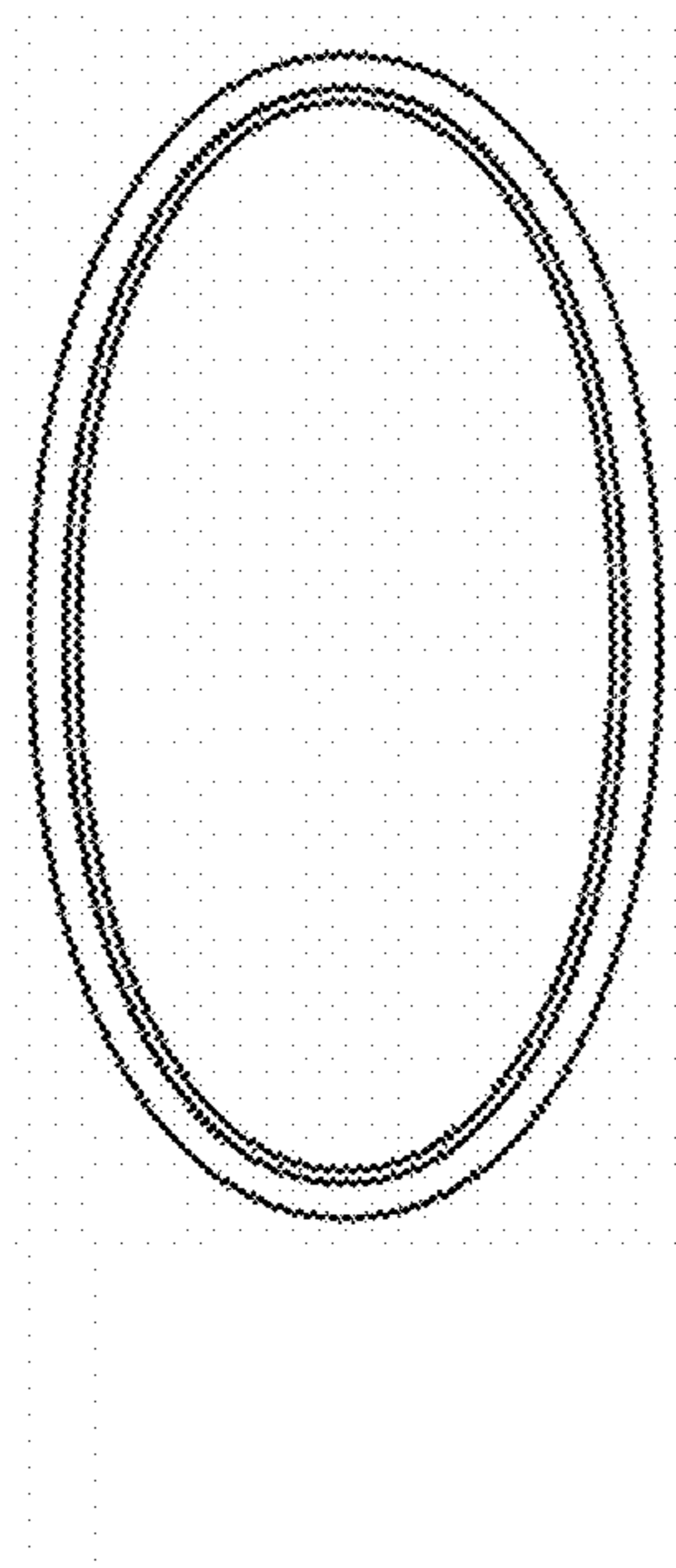
1.1



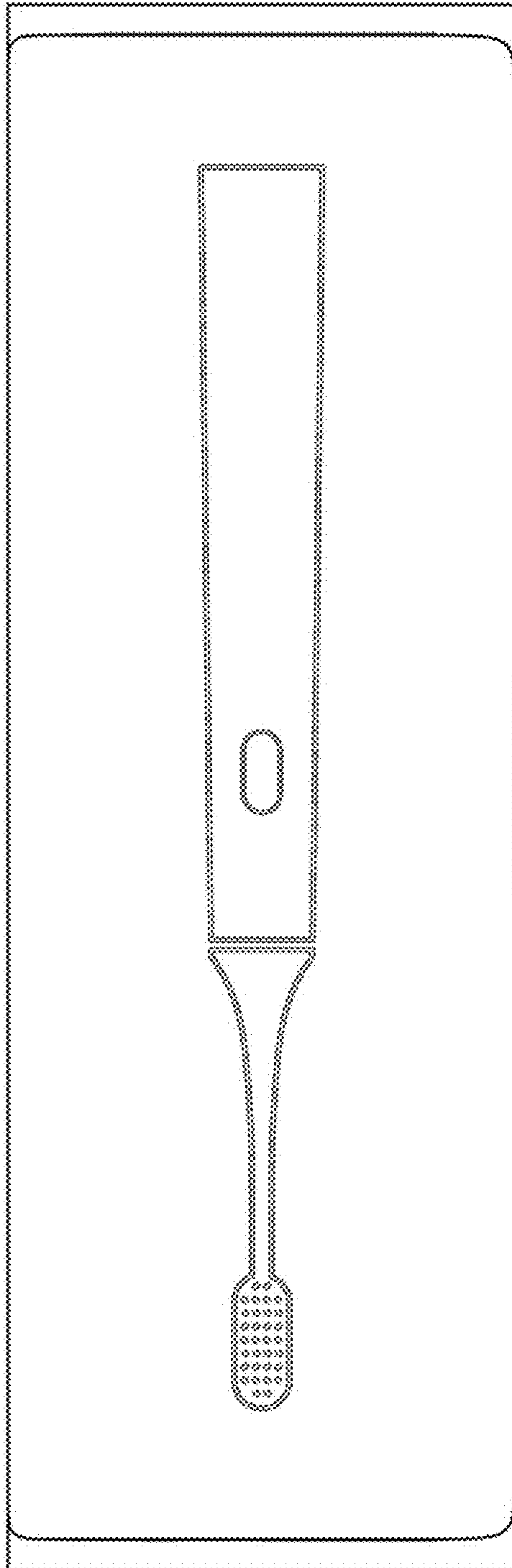
1.2



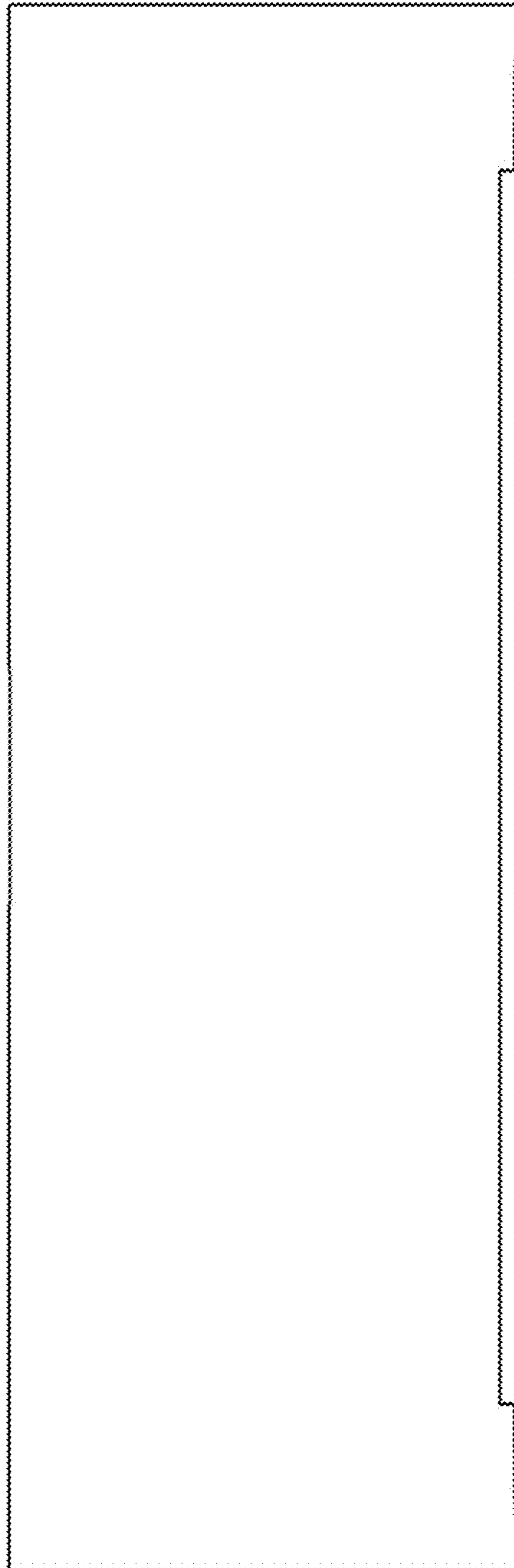
1.3



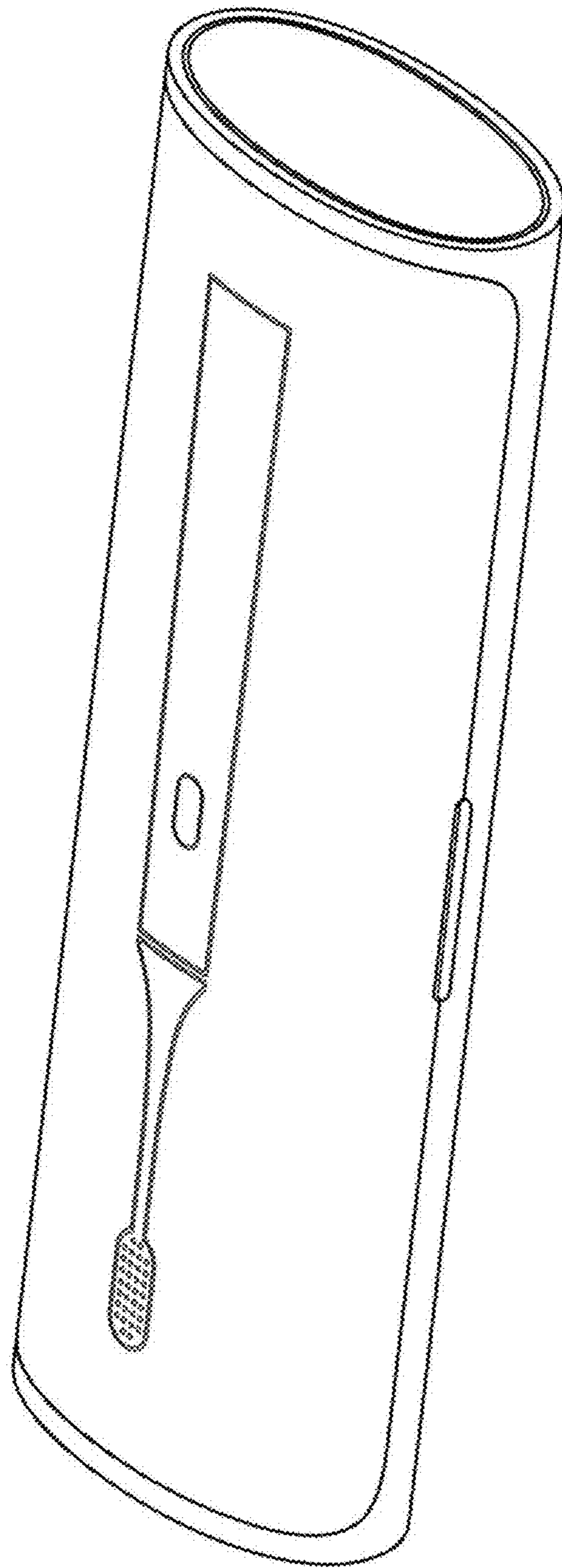
1.4



1.5



1.6



1.7