



US00D901166S

(12) **United States Design Patent**
Schepley et al.

(10) **Patent No.:** **US D901,166 S**

(45) **Date of Patent:** **** Nov. 10, 2020**

(54) **MEDICATION REMINDER CASE SET**

(71) Applicants: **Anna Schepley**, Rockford, IL (US);
James M. Schepley, Rockford, IL (US)

(72) Inventors: **Anna Schepley**, Rockford, IL (US);
James M. Schepley, Rockford, IL (US)

(**) Term: **15 Years**

(21) Appl. No.: **29/699,932**

(22) Filed: **Jul. 30, 2019**

(51) **LOC (12) Cl.** **03-01**

(52) **U.S. Cl.**
USPC **D3/203.3**

(58) **Field of Classification Search**
USPC D3/201, 203.1–203.8, 273, 294
CPC B65D 83/0481; B65D 83/04; B65D
83/0454; B65D 2583/04; A61J 1/00; A61J
1/03; A61J 7/04
See application file for complete search history.

(56) **References Cited**

U.S. PATENT DOCUMENTS

3,334,731	A *	8/1967	Dale	B65D 83/0454 206/534
4,164,301	A *	8/1979	Thayer	B65D 83/0454 206/534
4,261,468	A *	4/1981	Krebs	B65D 83/0454 206/538
4,378,885	A *	4/1983	Leopoldi	B65D 83/0481 206/540
4,389,963	A	6/1983	Pearson		
D278,513	S *	4/1985	Ebeling	D3/203.3
D281,225	S	11/1985	Leman		
4,572,376	A *	2/1986	Wrennall	A61J 7/04 206/534
D298,512	S *	11/1988	Gotlib	D3/203.4
4,793,492	A	12/1988	Halbich		
D304,870	S *	11/1989	Mason	D30/115

4,998,623	A	3/1991	Doull		
D328,703	S *	8/1992	Klumpyan	D3/203.4
D342,671	S *	12/1993	Elliott	D3/203.4
5,782,359	A *	7/1998	McAllister	B65D 41/06 206/1.5
D398,444	S *	9/1998	Ricci	D3/203.2
5,921,395	A *	7/1999	Alexander	B65D 83/0454 206/1.5
6,003,467	A *	12/1999	Shelton-Ferrell	G09F 11/23 116/308
6,126,010	A *	10/2000	Kogen	A45F 3/20 206/218
D451,666	S *	12/2001	Zastrow	D3/203.3
D458,016	S *	6/2002	Christianson	D3/203.4
D463,102	S *	9/2002	Rosado	D3/203.3

(Continued)

Primary Examiner — Steven J Czyz

(74) *Attorney, Agent, or Firm* — Cramer Patent & Design,
PLLC; Aaron R. Cramer

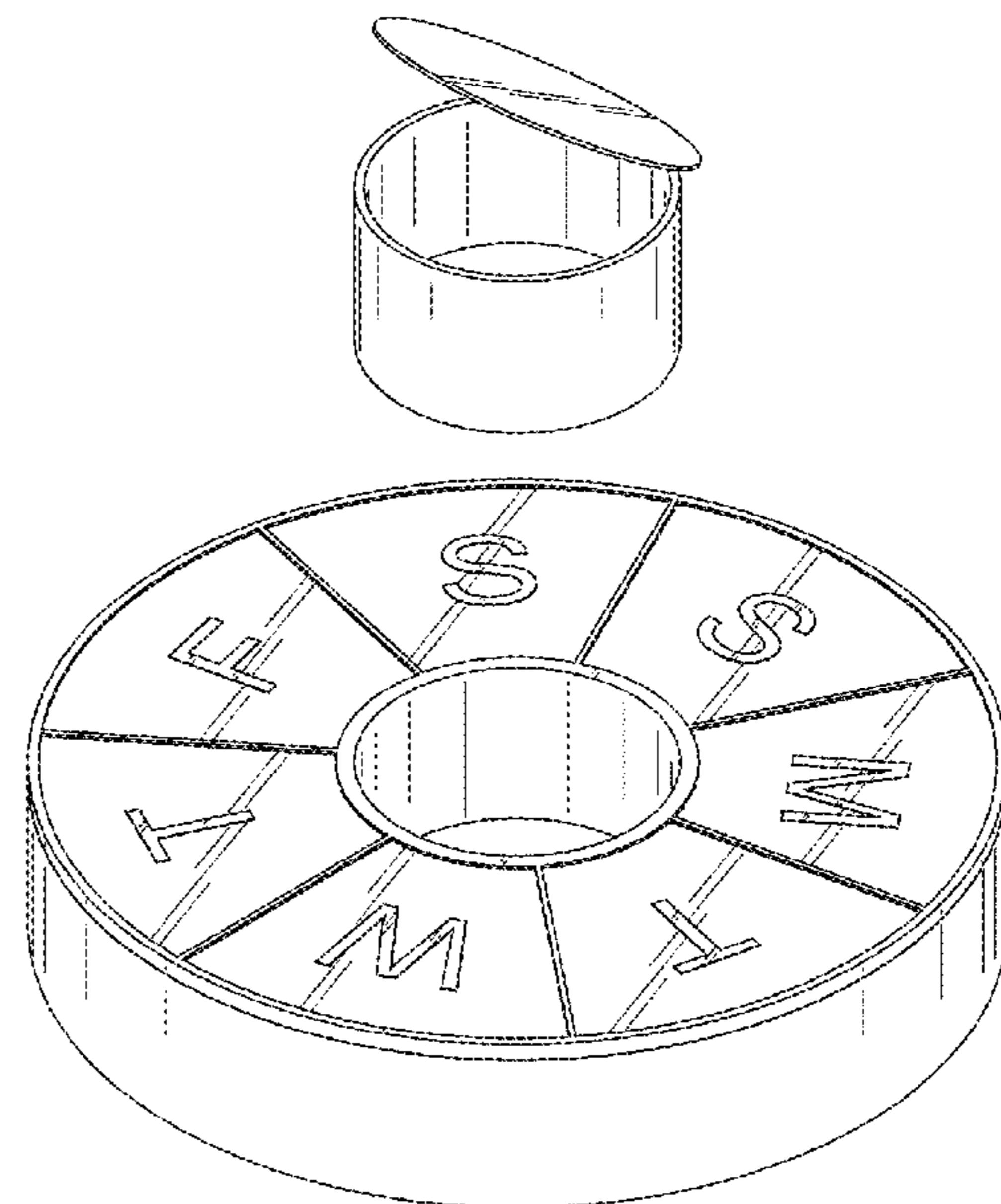
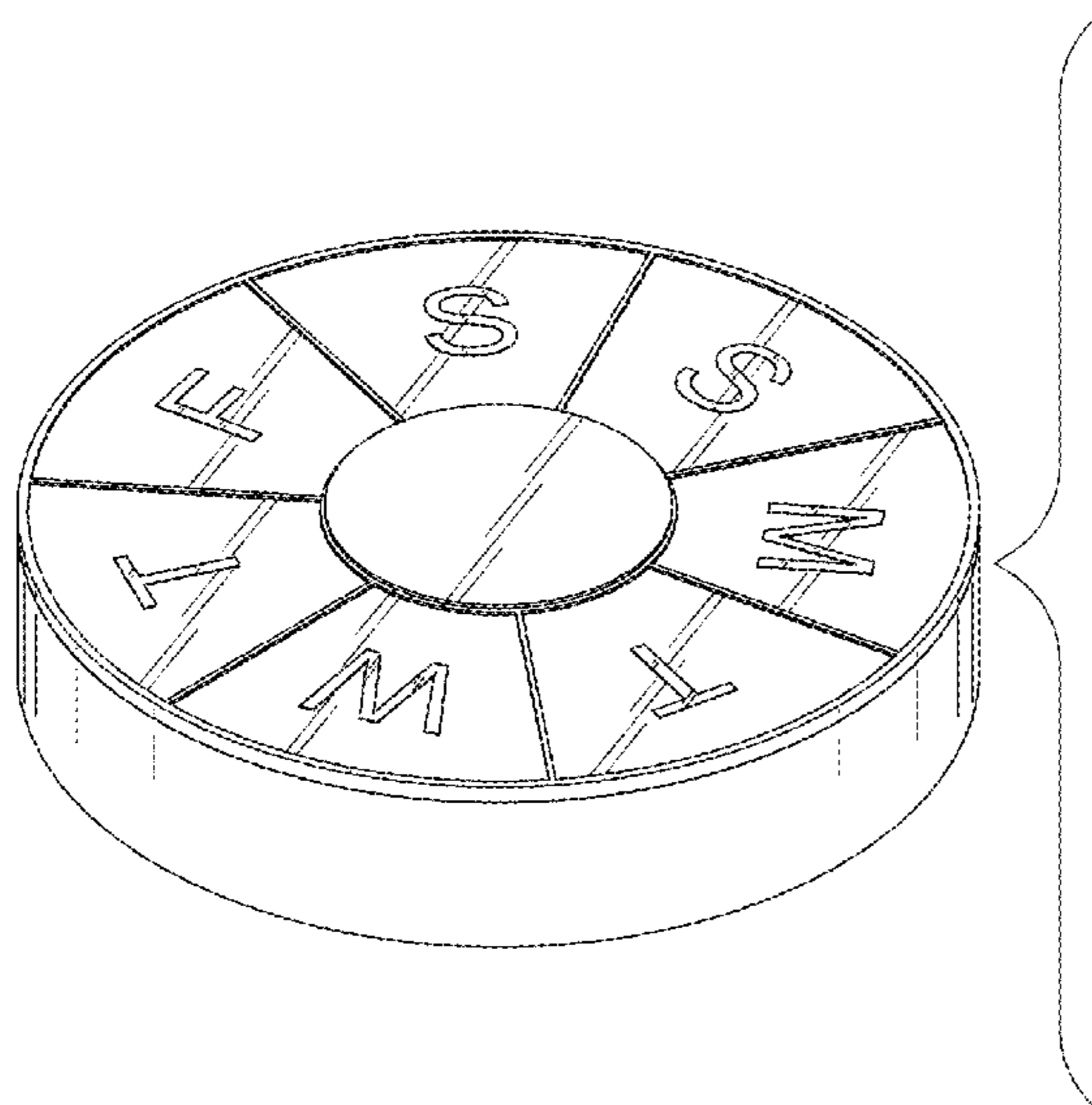
(57) **CLAIM**

The ornamental design for a medication reminder case set,
as shown and described.

DESCRIPTION

FIG. 1 is a perspective top front right view of a medication reminder case set, where an inner case is nested within a center cut-out of an outer case, showing our new design; FIG. 2 is a perspective top rear left view thereof; FIG. 3 is a front elevation view thereof, wherein a rear elevation view, a right side elevation view, and a left side elevation view are an identical image thereof; FIG. 4 is a top plan view thereof; FIG. 5 is a bottom plan view thereof; FIG. 6 is a perspective top front right view of the medication reminder case set, where the inner case is fully removed from the center cut-out of the outer case; and, FIG. 7 is a perspective top rear left view of the medication reminder case set of FIG. 6.

1 Claim, 6 Drawing Sheets



(56)

References Cited

U.S. PATENT DOCUMENTS

D473,786 S * 4/2003 Chue D3/203.4
 D488,618 S * 4/2004 Wekstein D3/203.3
 6,789,497 B1 * 9/2004 Aiken G09F 11/23
 116/308
 D528,782 S 9/2006 Oas
 7,128,213 B2 * 10/2006 Tung A61J 7/04
 206/538
 7,147,127 B2 * 12/2006 Lepke B65D 83/0454
 221/4
 7,200,071 B2 * 4/2007 Brophy A61J 7/0409
 368/28
 D547,940 S * 8/2007 Sandy D3/203.2
 7,336,564 B2 2/2008 Feodoroff
 D563,095 S * 3/2008 Sabbag D3/203.3
 7,543,718 B2 * 6/2009 Simon A61J 7/04
 221/13
 D600,441 S * 9/2009 Estrada D3/203.3
 7,854,326 B1 * 12/2010 Beckett A61J 7/0084
 206/534
 D634,714 S * 3/2011 Kim D13/162

8,136,666 B2 * 3/2012 Goldman B65D 83/0454
 206/538
 8,201,691 B1 * 6/2012 Chowdhury A61J 1/03
 206/534
 D663,113 S * 7/2012 Simms D3/203.3
 D679,086 S 4/2013 Liguori
 D684,355 S 6/2013 Priebe
 D708,434 S * 7/2014 Deeb D3/203.3
 8,770,431 B1 * 7/2014 Glaser B65D 1/34
 220/521
 D717,038 S * 11/2014 Lee D3/203.3
 D746,046 S * 12/2015 Lee D3/203.3
 D779,811 S * 2/2017 Van Lanschot D3/203.3
 D785,314 S * 5/2017 Noble D3/203.2
 D806,380 S * 1/2018 Hines D3/203.2
 9,889,068 B1 2/2018 Bakhoun
 D855,971 S * 8/2019 Moskowitz D3/203.1
 10,653,584 B2 * 5/2020 Brady A61J 7/0445
 2006/0249410 A1 * 11/2006 Vandenbroek A61B 17/105
 206/340
 2007/0138048 A1 * 6/2007 Coe A61J 7/04
 206/528

* cited by examiner

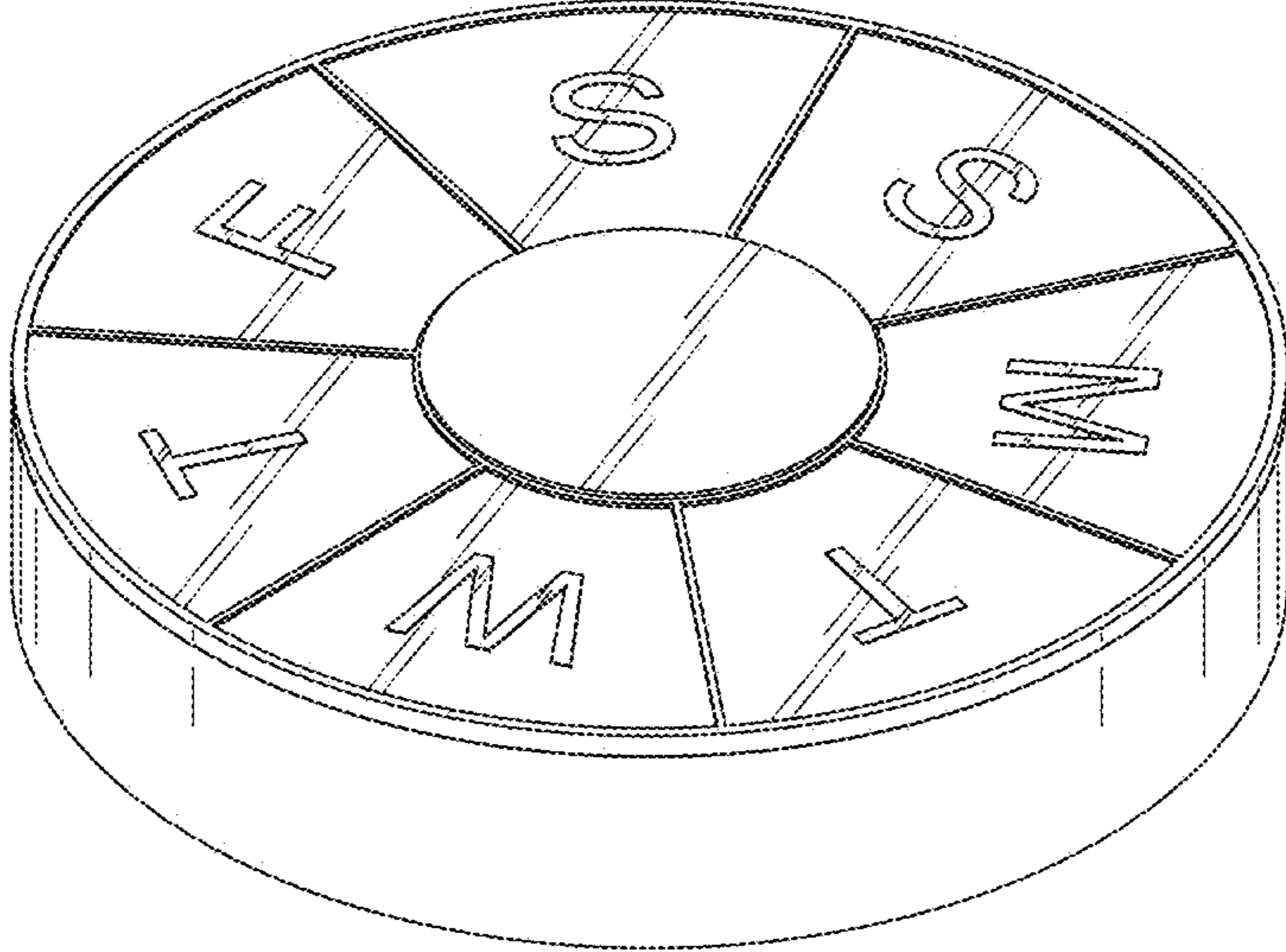


FIG. 1

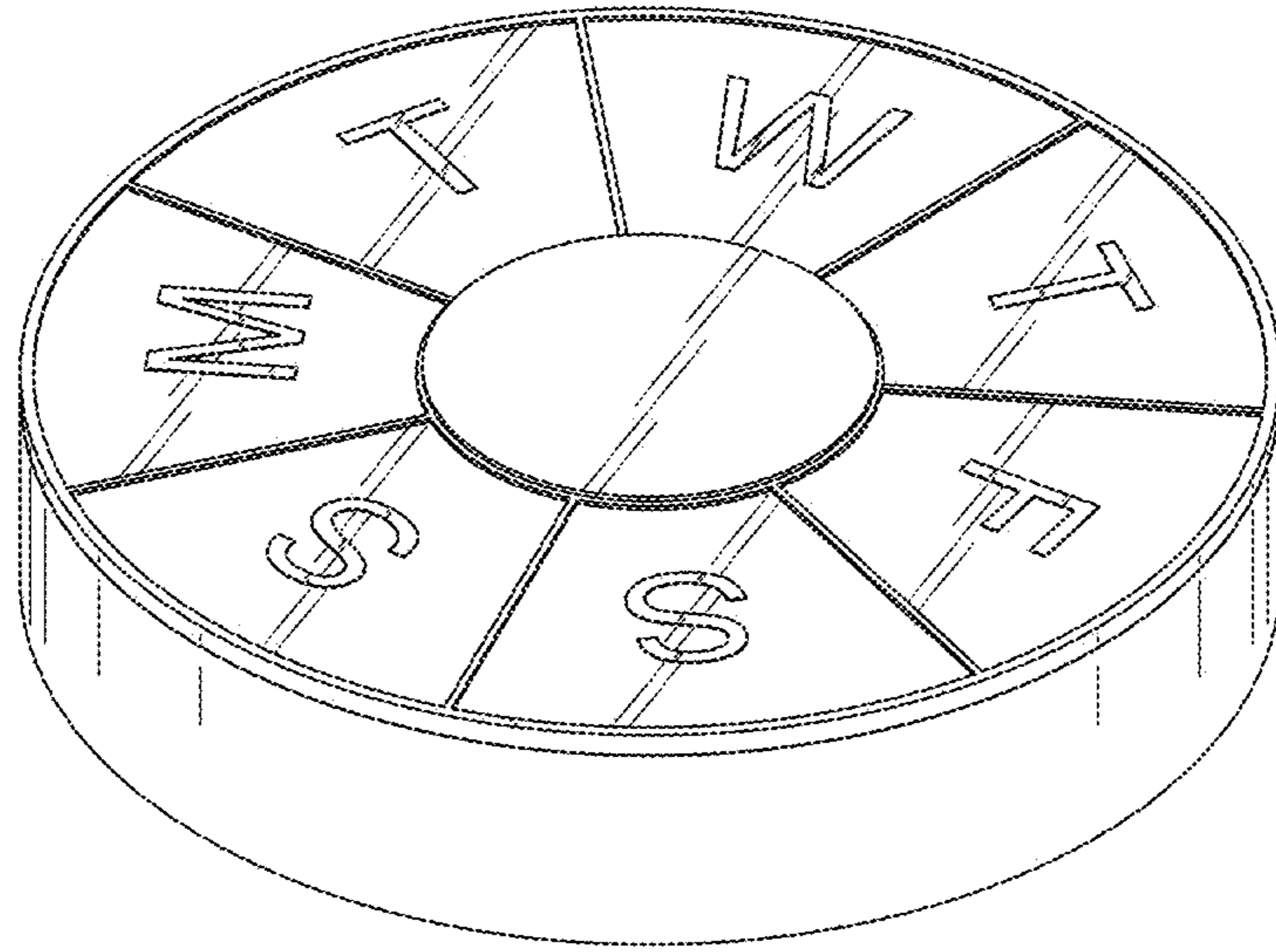


FIG. 2

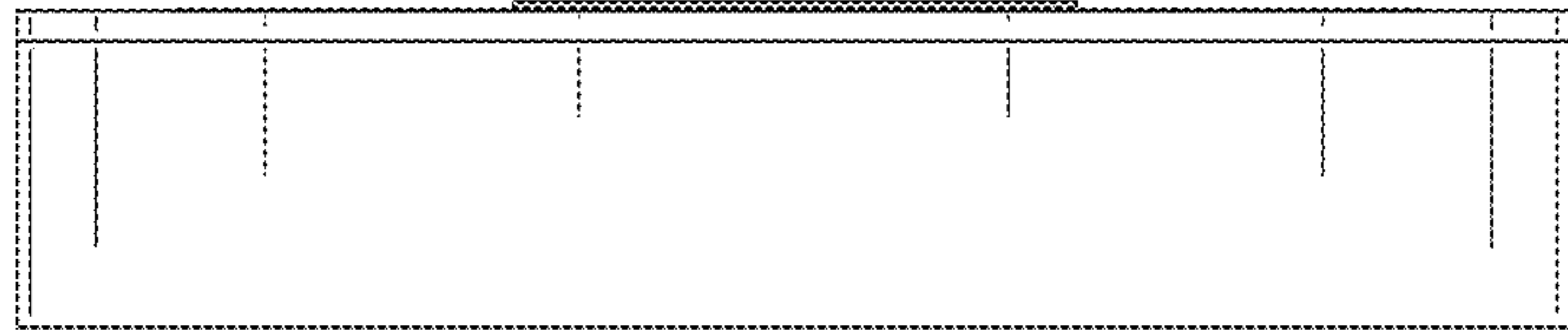


FIG. 3

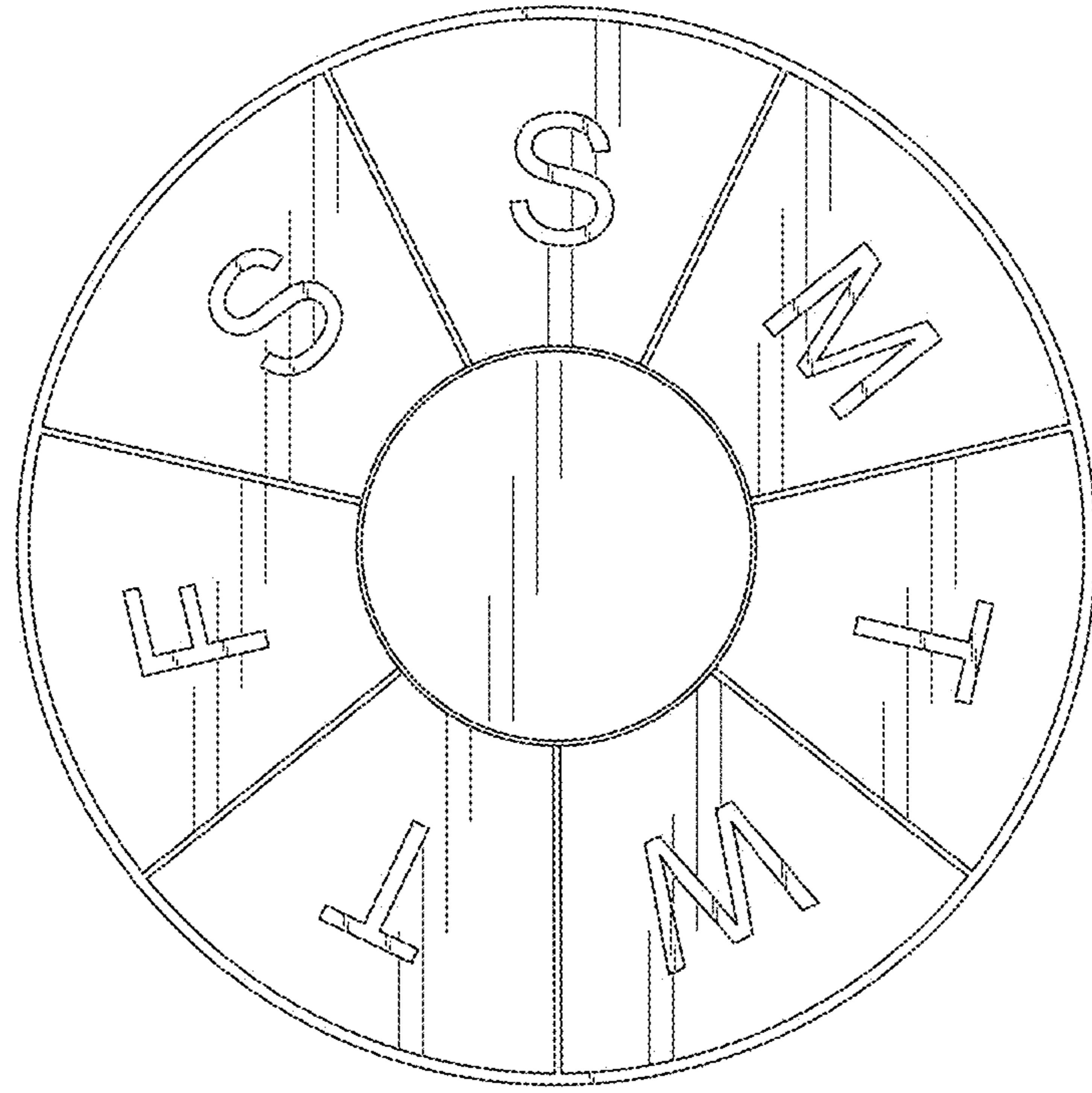


FIG. 4

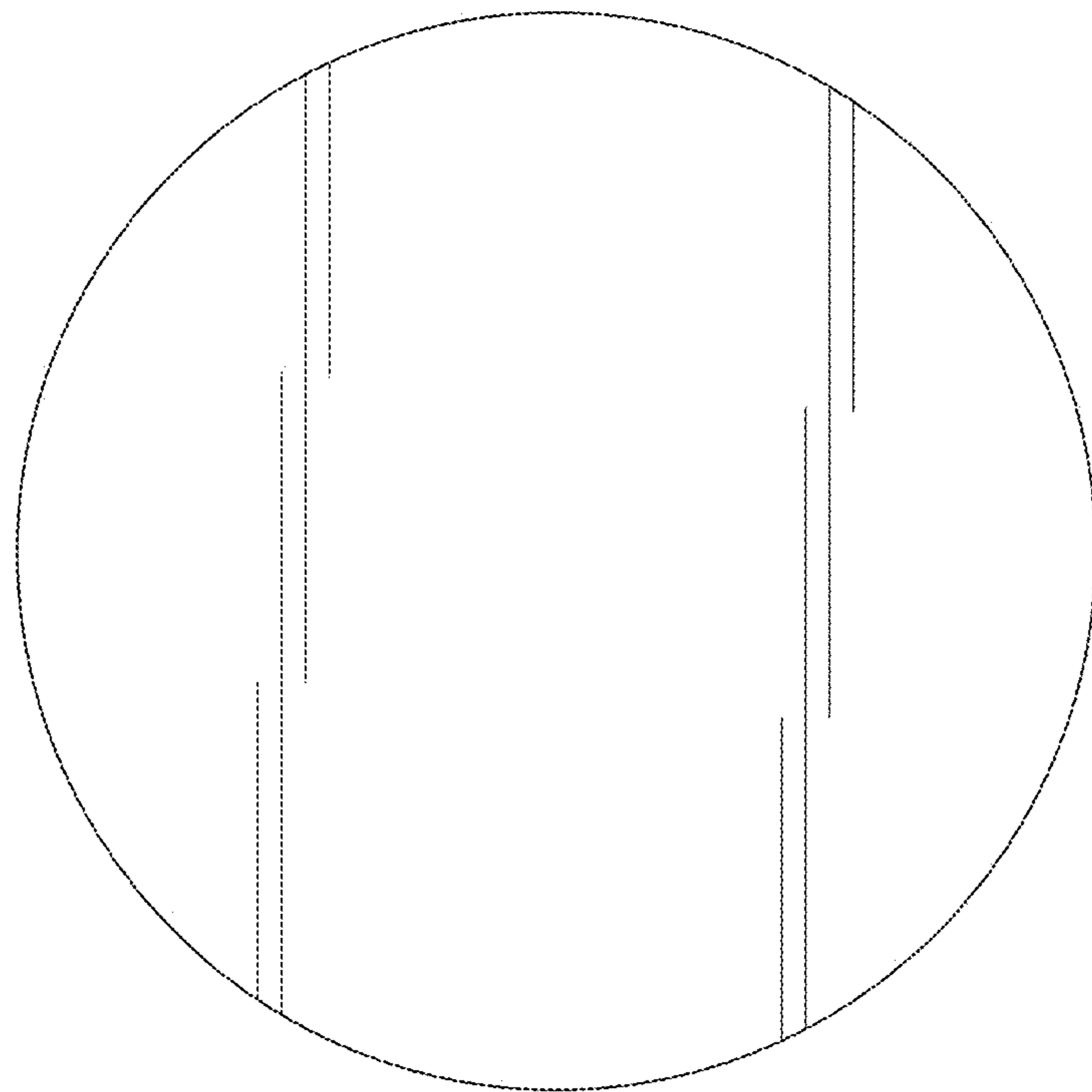


FIG. 5

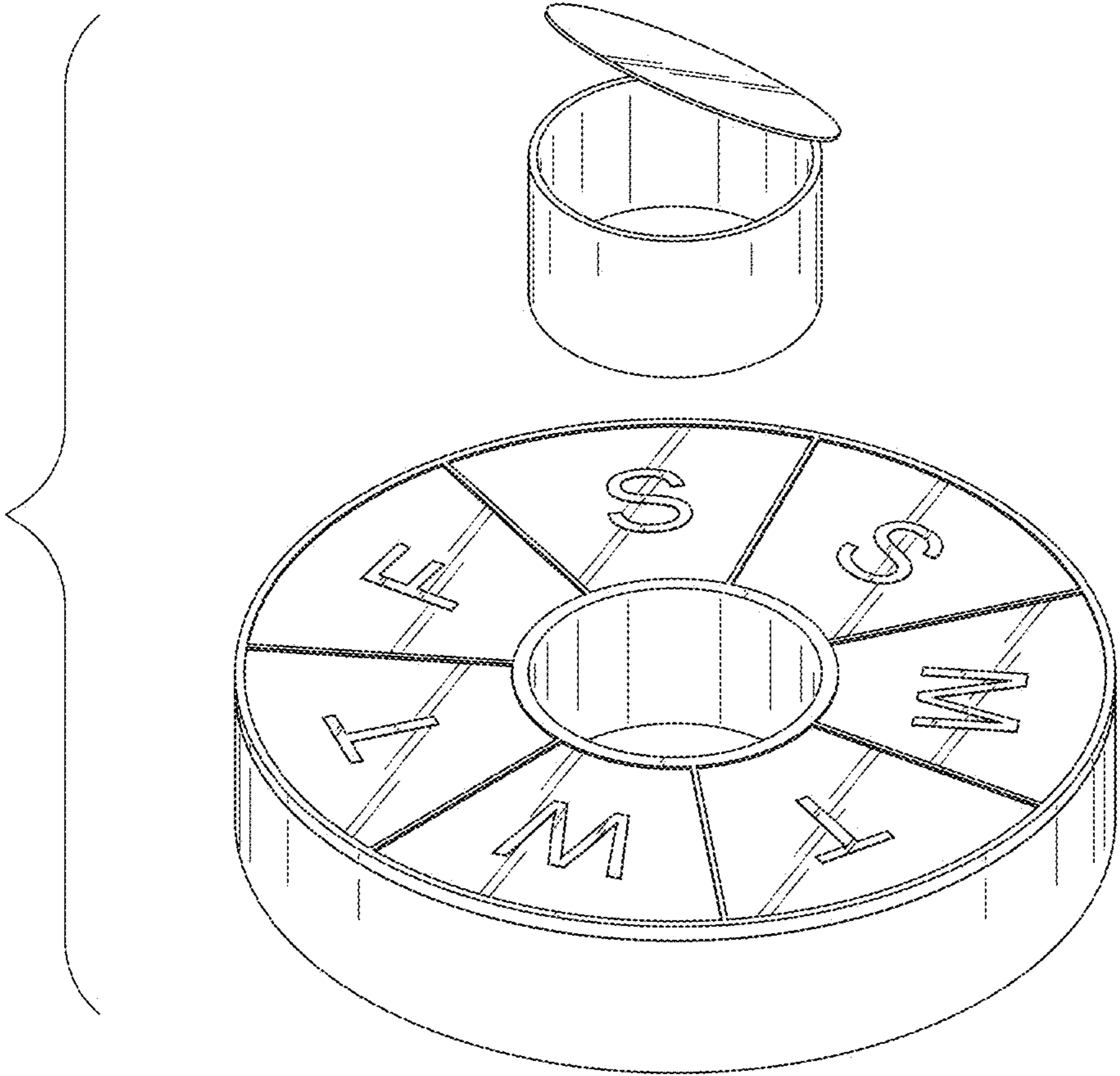


FIG. 6

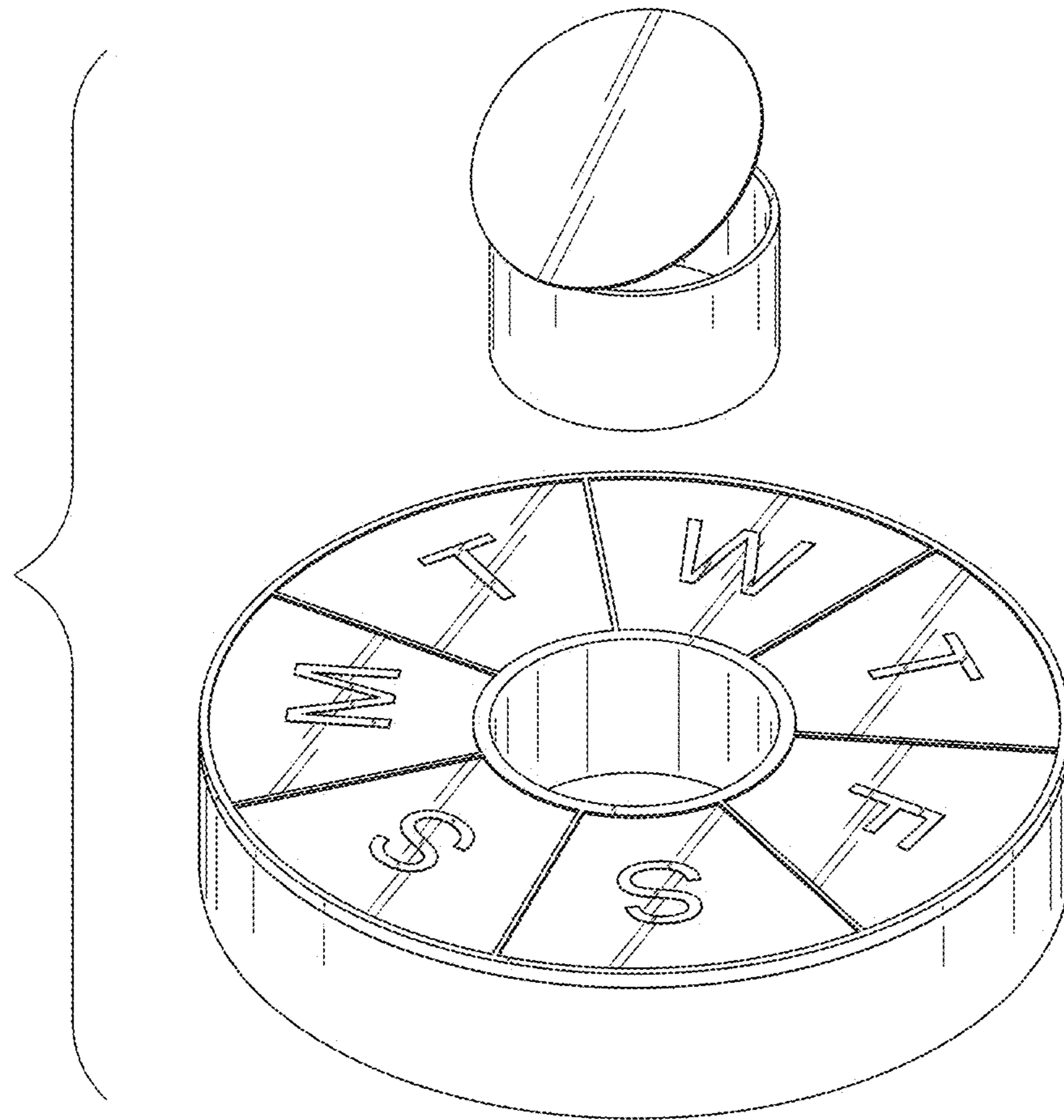


FIG. 7