

US00D901165S

(12) **United States Design Patent**
Adatte et al.

(10) **Patent No.:** **US D901,165 S**

(45) **Date of Patent:** **** Nov. 10, 2020**

(54) **TRAVEL WINDER BOX FOR
TRANSPORTING AND WINDING A
WRISTWATCH**

(71) Applicant: **Xavier Castelli**, Geneva (CH)

(72) Inventors: **Georges Adatte**, Lausanne (CH); **Pablo
Camacho**, Villars-sur-Glane (CH)

(**) Term: **15 Years**

(21) Appl. No.: **35/507,370**

(22) Filed: **Feb. 22, 2019**

(80) **Hague Agreement Data**

Int. Filing Date: **Feb. 22, 2019**

Int. Reg. No.: **DM/202511**

Int. Reg. Date: **Feb. 22, 2019**

Int. Reg. Pub. Date: **Sep. 6, 2019**

(51) **LOC (12) Cl.** **03-01**

(52) **U.S. Cl.**
USPC **D3/201; D9/420**

(58) **Field of Classification Search**
USPC D9/414, 420–422, 426, 428; D3/201,
D3/207, 208, 212, 229, 273, 274, 294,
D3/295, 302
CPC A45C 13/002; A45C 2011/001; H04R
1/1025

See application file for complete search history.

(56) **References Cited**

U.S. PATENT DOCUMENTS

D238,187 S * 12/1975 Carre D27/153
D238,188 S * 12/1975 Carre D27/153
D484,696 S * 1/2004 Au D3/294
D512,218 S * 12/2005 Tagliati D3/273
7,609,512 B2 * 10/2009 Richardson G06F 1/1626
361/679.41
D740,018 S * 10/2015 Zhang D3/201

D817,640 S * 5/2018 Dang D3/294
D818,268 S * 5/2018 Akana D3/294
D846,264 S * 4/2019 Wu D3/201
D864,110 S * 10/2019 Yoshimura D13/108
D868,453 S * 12/2019 Lee D3/201
D873,217 S * 1/2020 Zhang D13/108

(Continued)

OTHER PUBLICATIONS

Time Werke. SwissKubik Travelbox—world’s first travel watchwinder?
Jun. 13, 2019. <http://www.timewerke.com/?p=6804> (Year: 2019).*

(Continued)

Primary Examiner — Darcey E Gottschalk

(57) **CLAIM**

The ornamental design for travel winder box for transporting
and winding a wristwatch, as shown and described.

DESCRIPTION

1. Travel winder box for transporting and winding a wrist-
watch

1.1: Top

1.2: Bottom

1.3: Front

1.4: Back

1.5: Left

1.6: Right

1.7: Perspective

1.8: Perspective

1.9: Perspective view of activated mechanism

1.10: Front view of open box

1.11: Right-hand perspective view of open box

1.12: Left-hand perspective view of open box

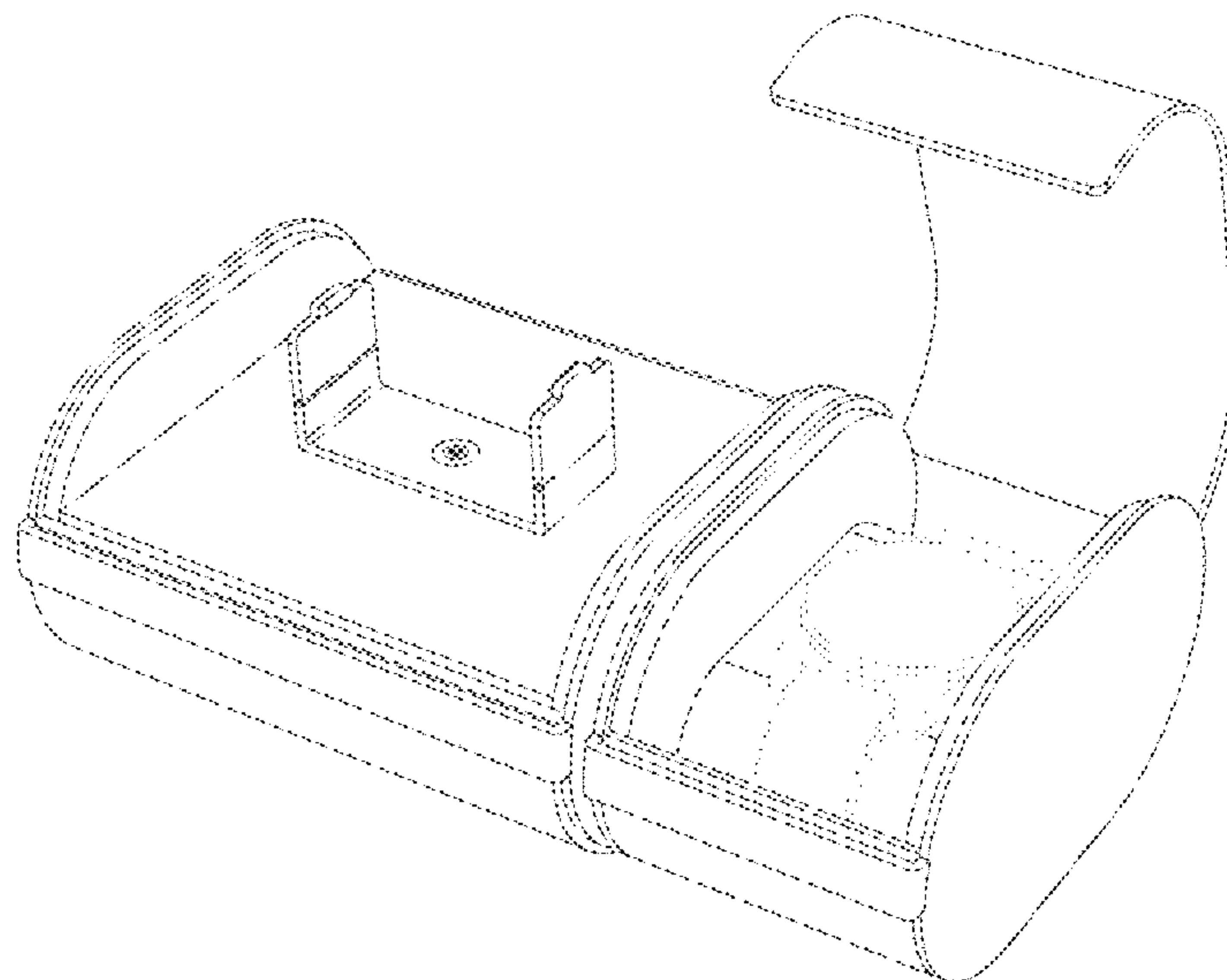
1.13: Perspective view of open box

1.14: Perspective view of activated open box

1.15: Perspective exploded view of box and holder

In the reproductions, the broken line showing of a wrist-
watch depicts environment that forms no part of the claim.

1 Claim, 15 Drawing Sheets



(56)

References Cited

U.S. PATENT DOCUMENTS

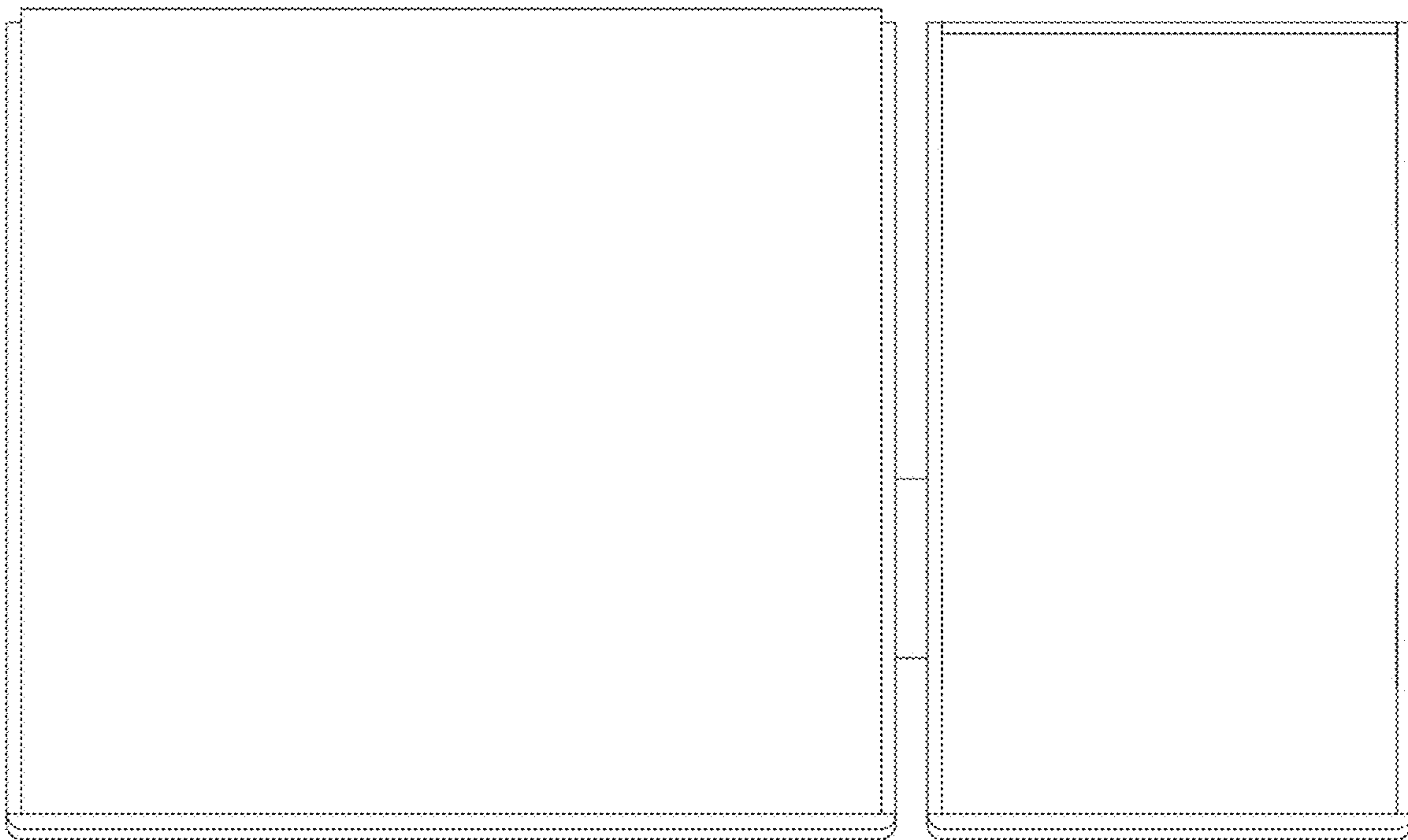
D886,454 S * 6/2020 Williamson D3/294
D888,408 S * 6/2020 Lee D3/201

OTHER PUBLICATIONS

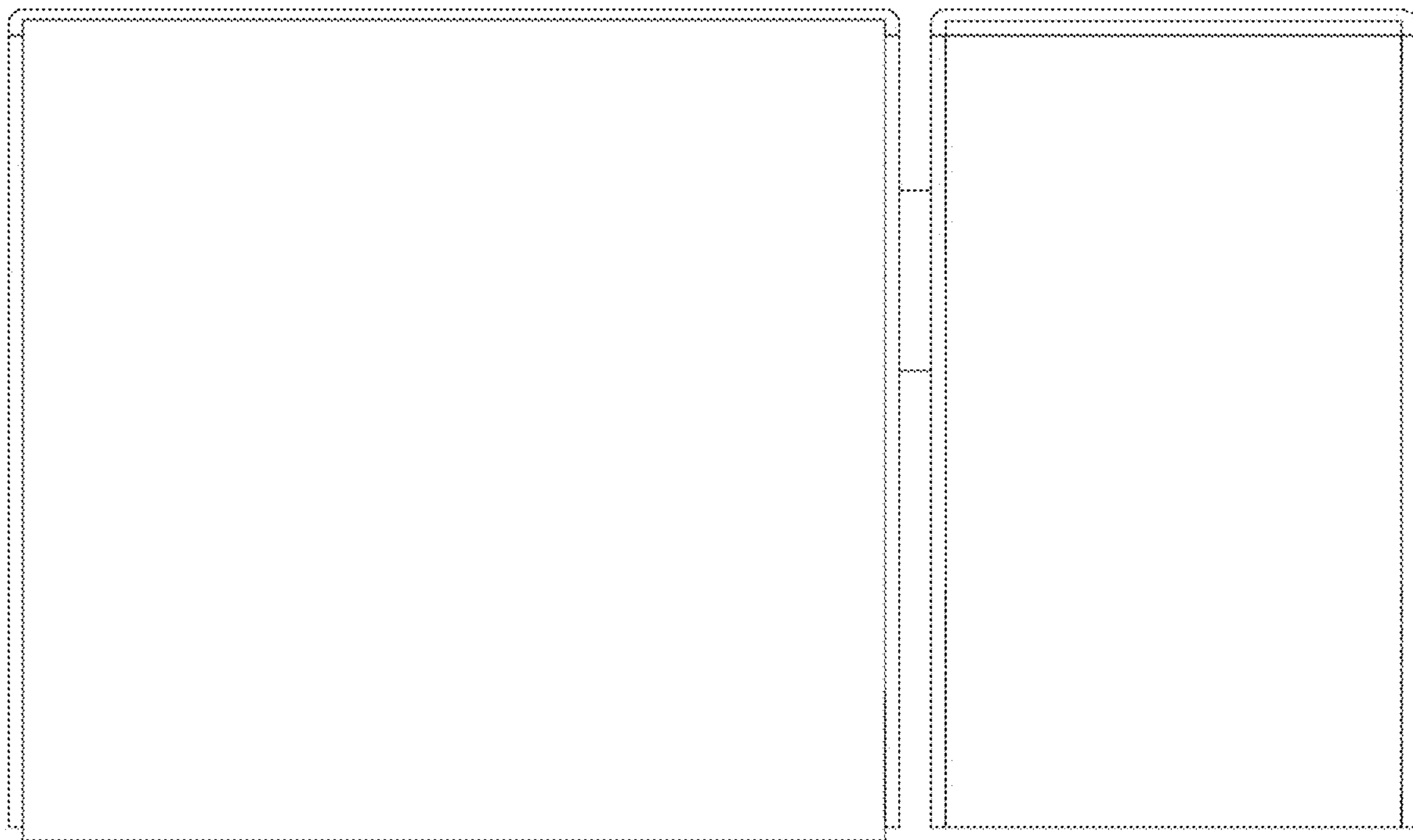
FHS Swiss. First SwissKubik travel watch winder case. Jun. 6, 2019. https://www.fhs.swiss/eng/2019_06_06_06_Swisskubik.html (Year: 2019).*

* cited by examiner

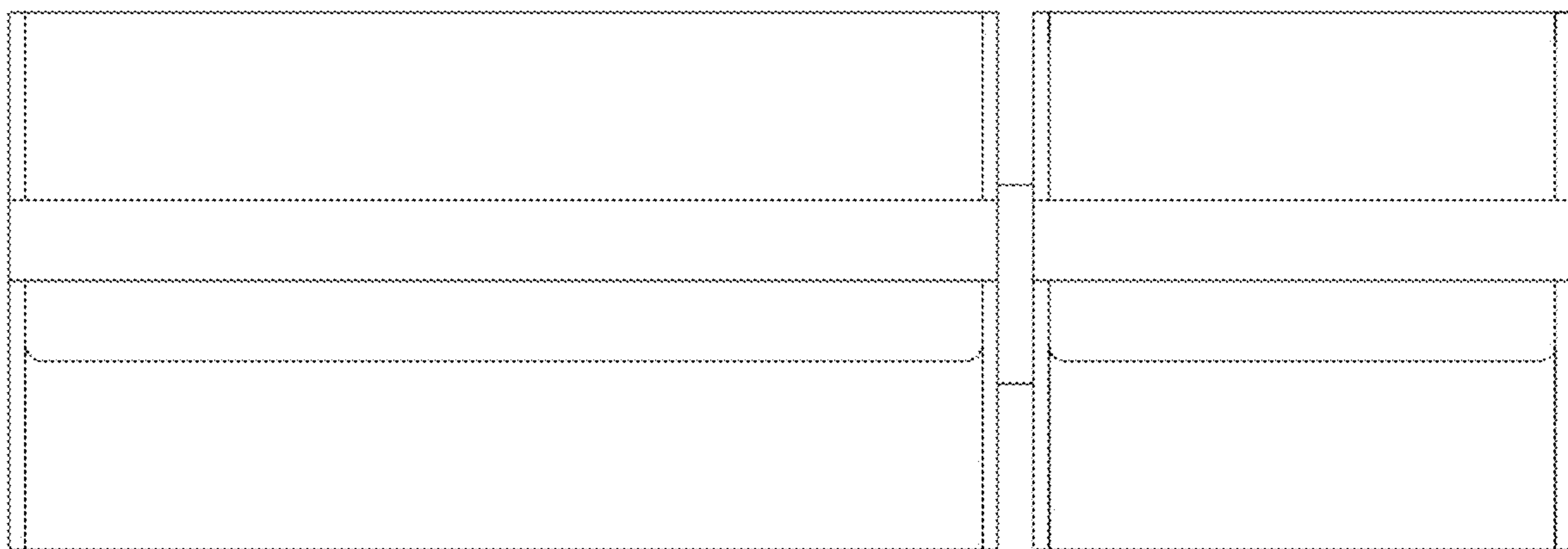
1.1



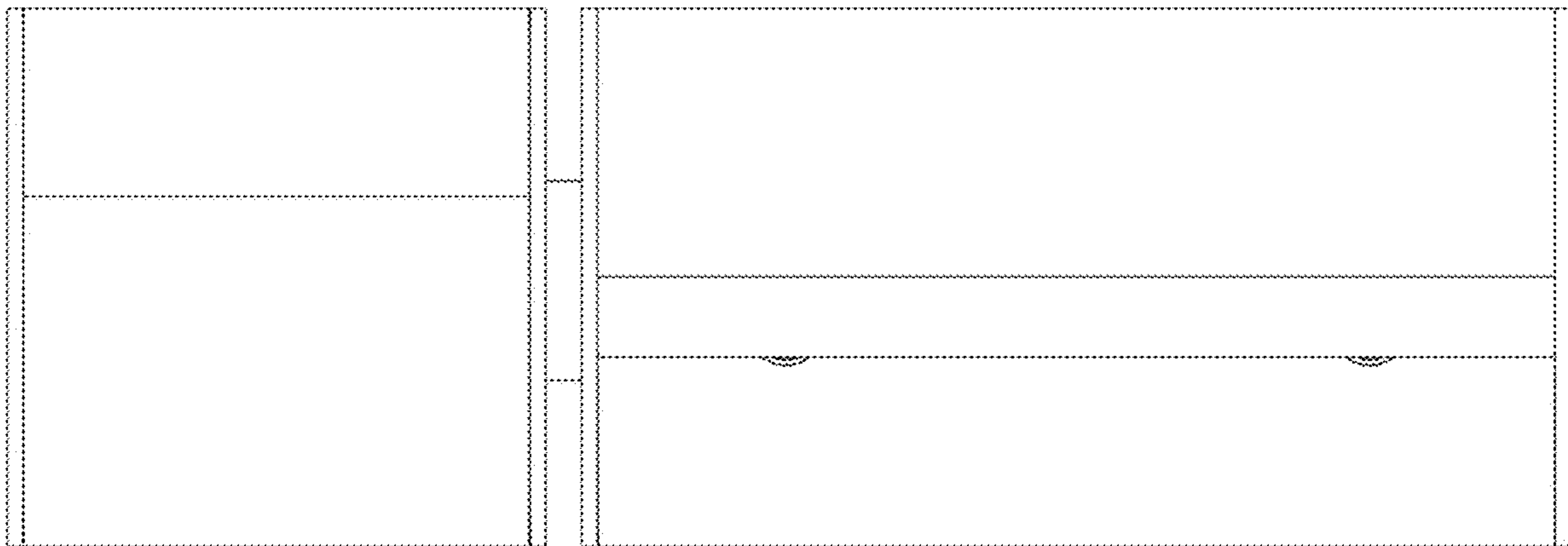
1.2



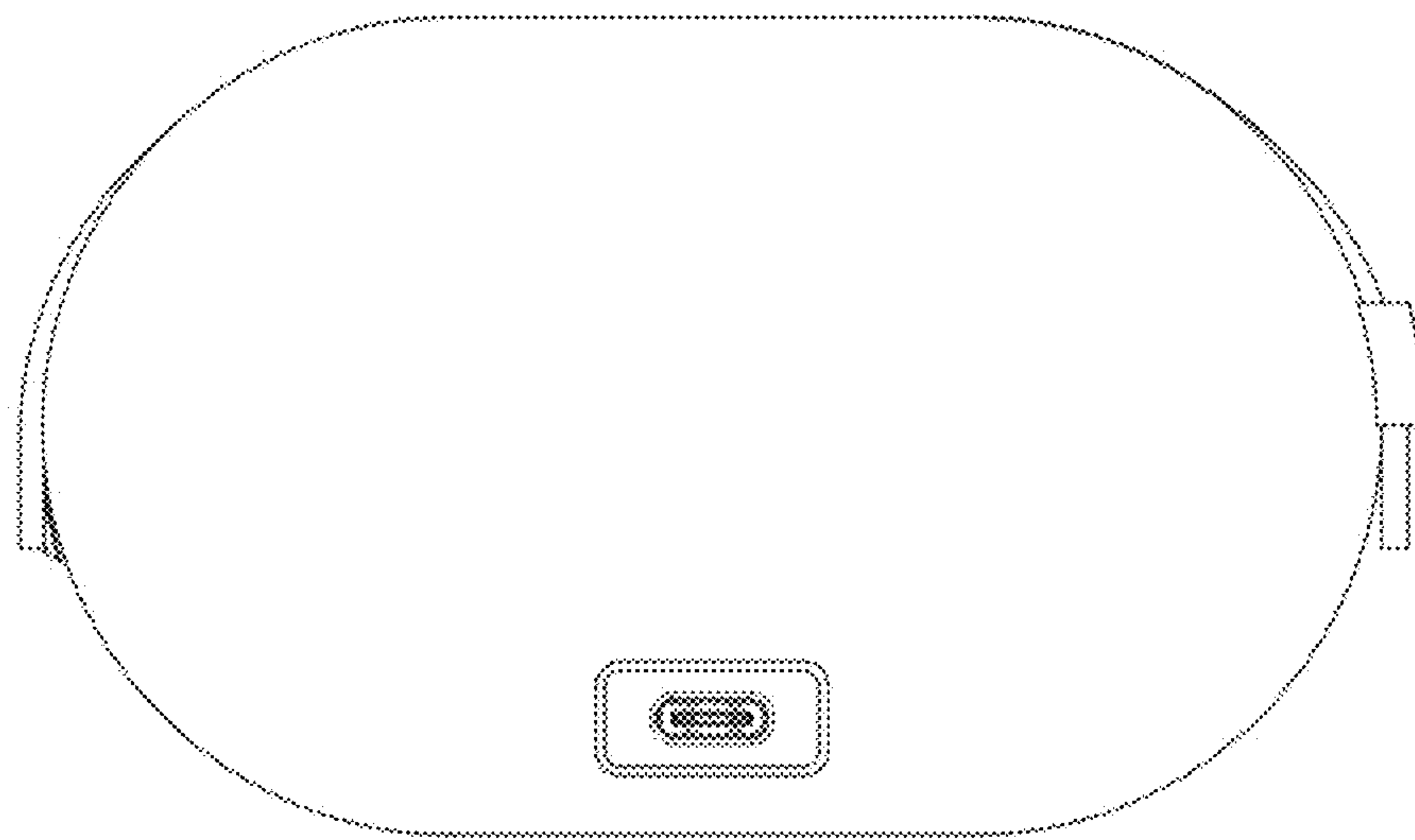
1.3



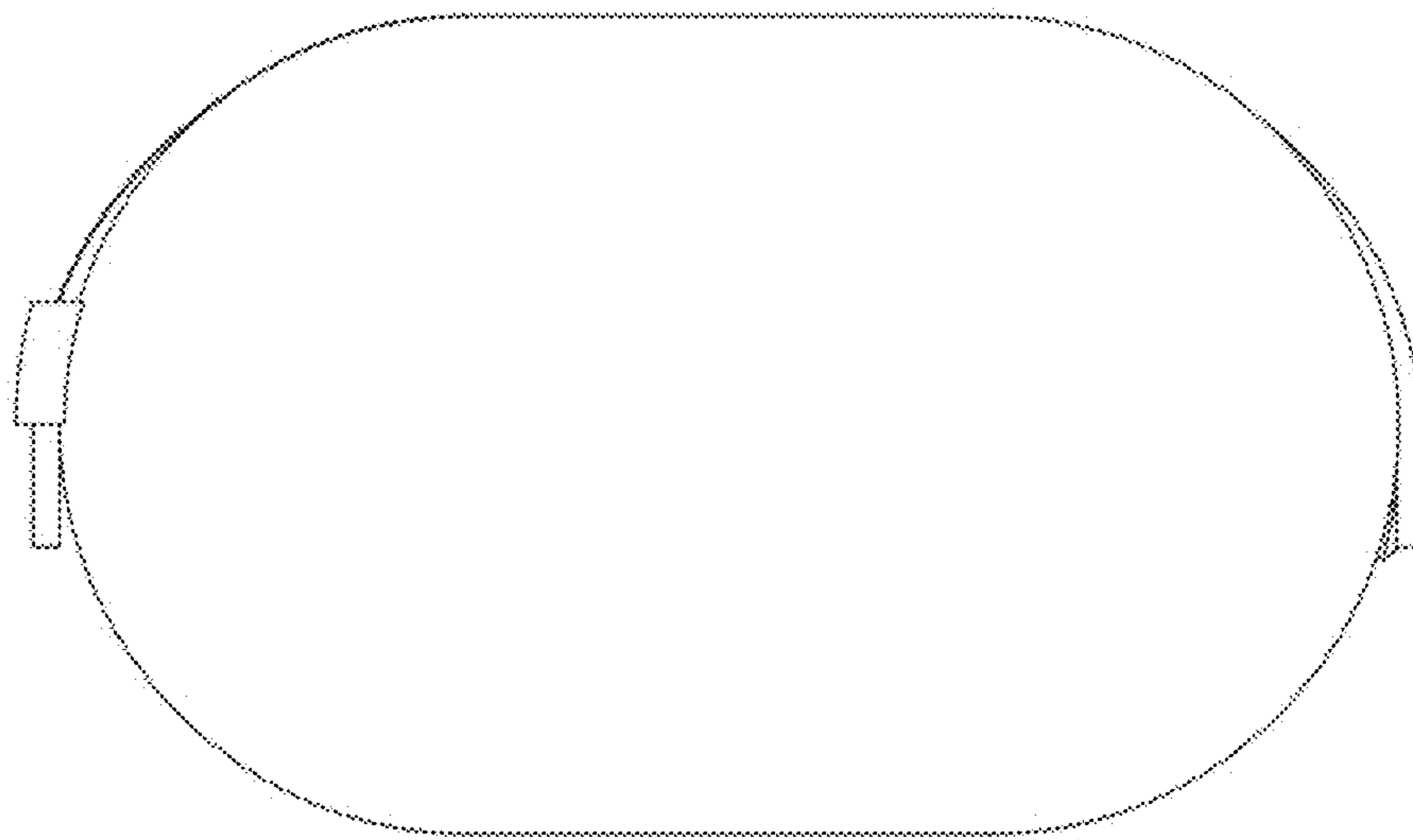
1.4



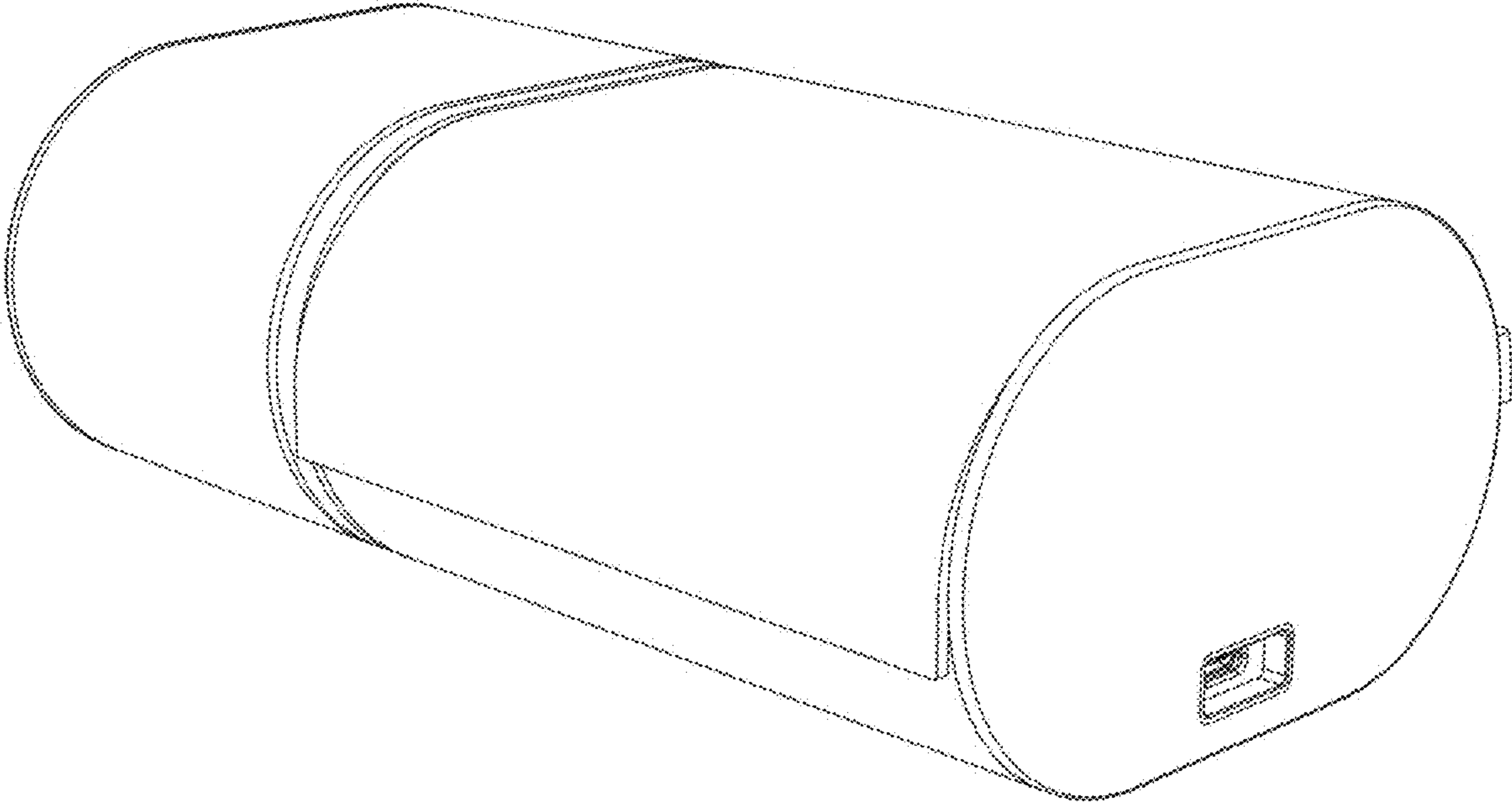
1.5



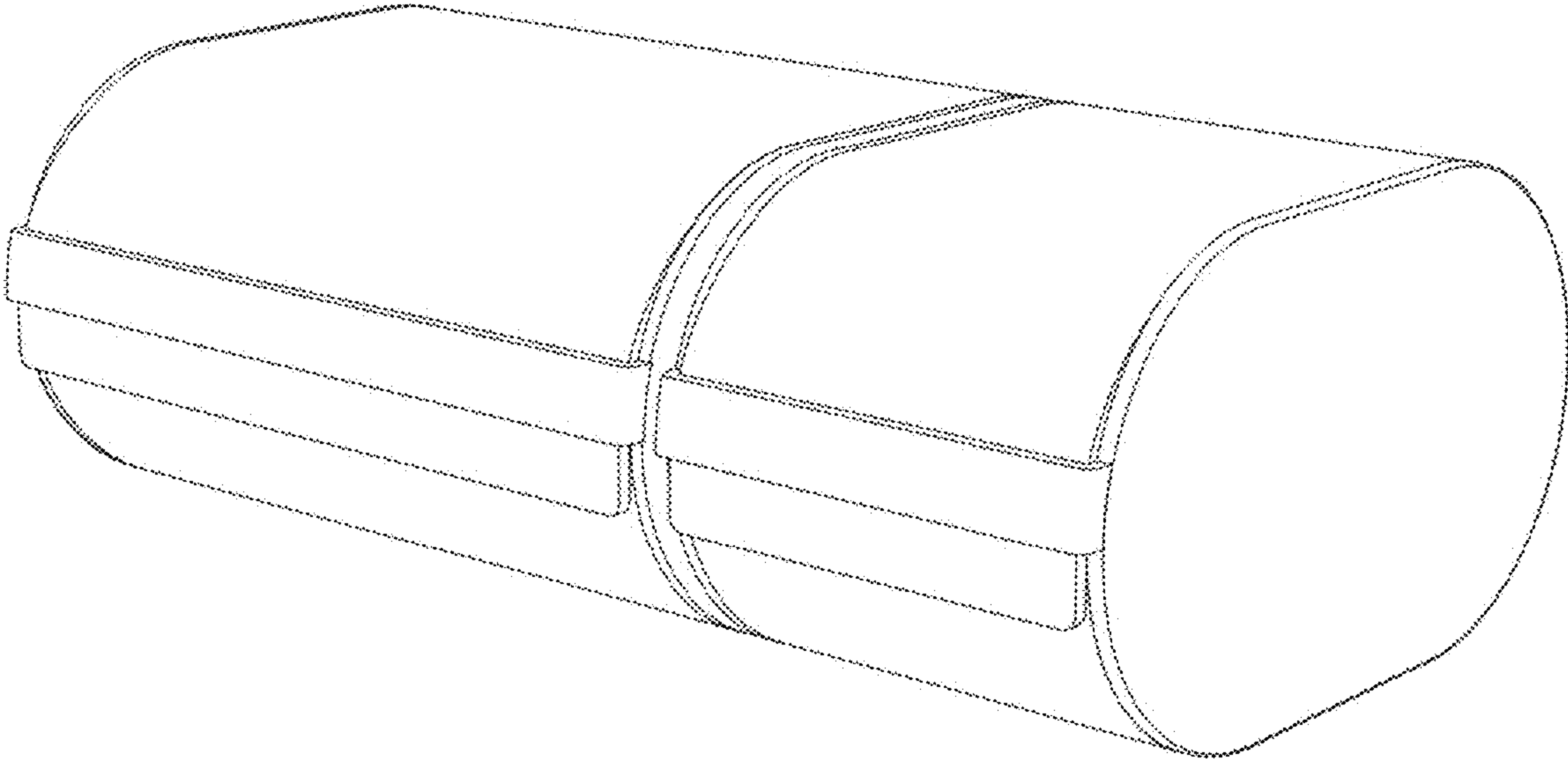
1.6



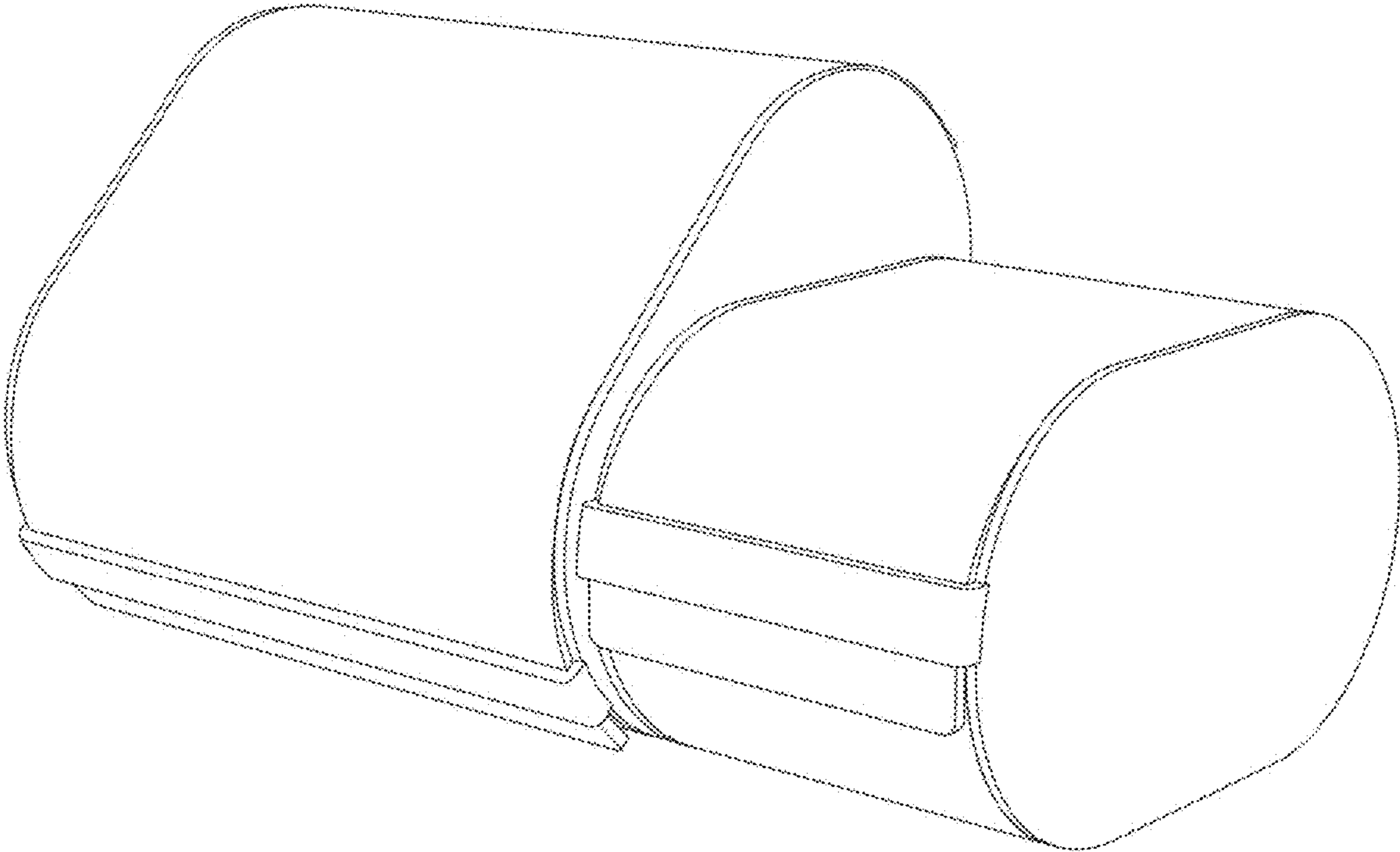
1.7



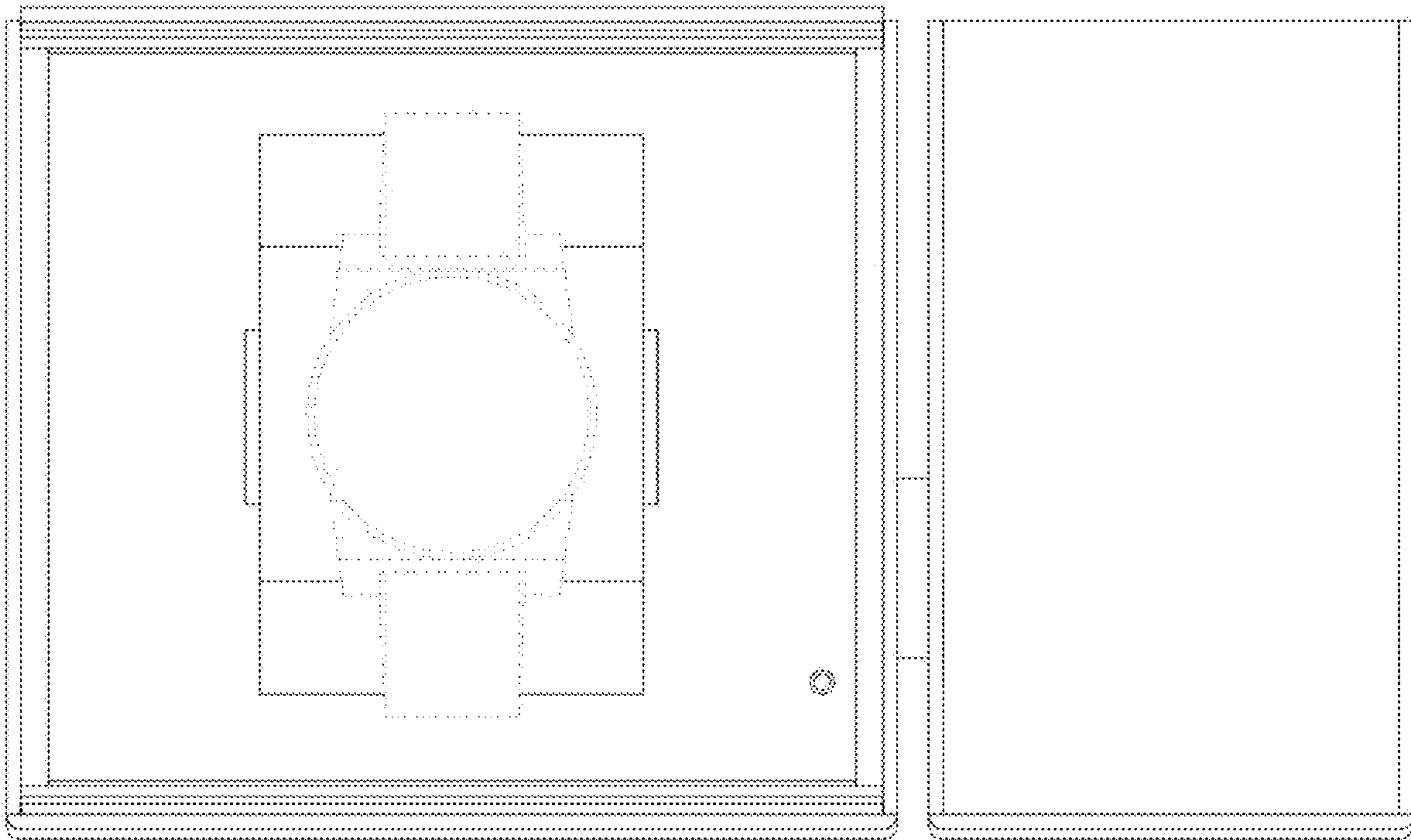
1.8



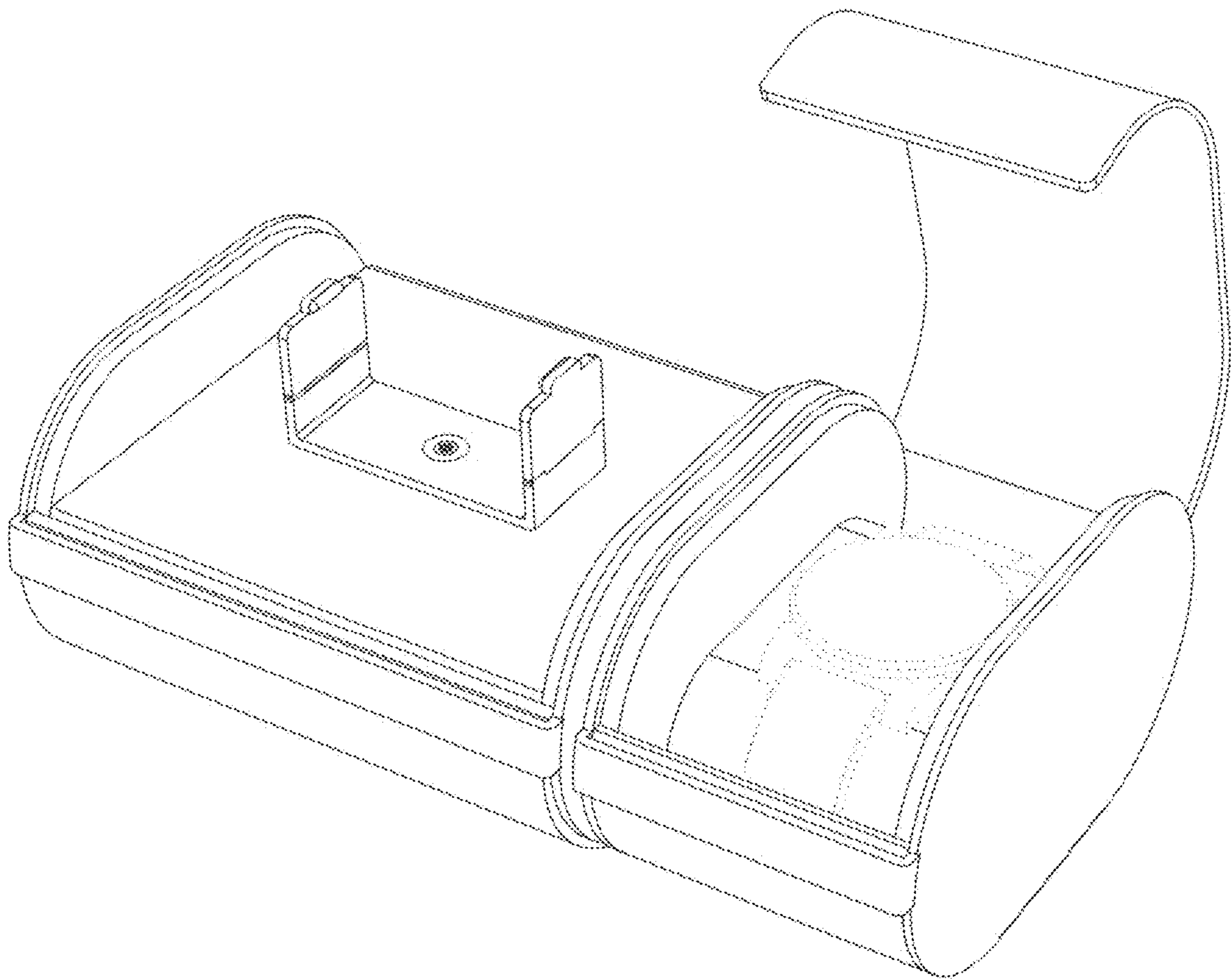
1.9



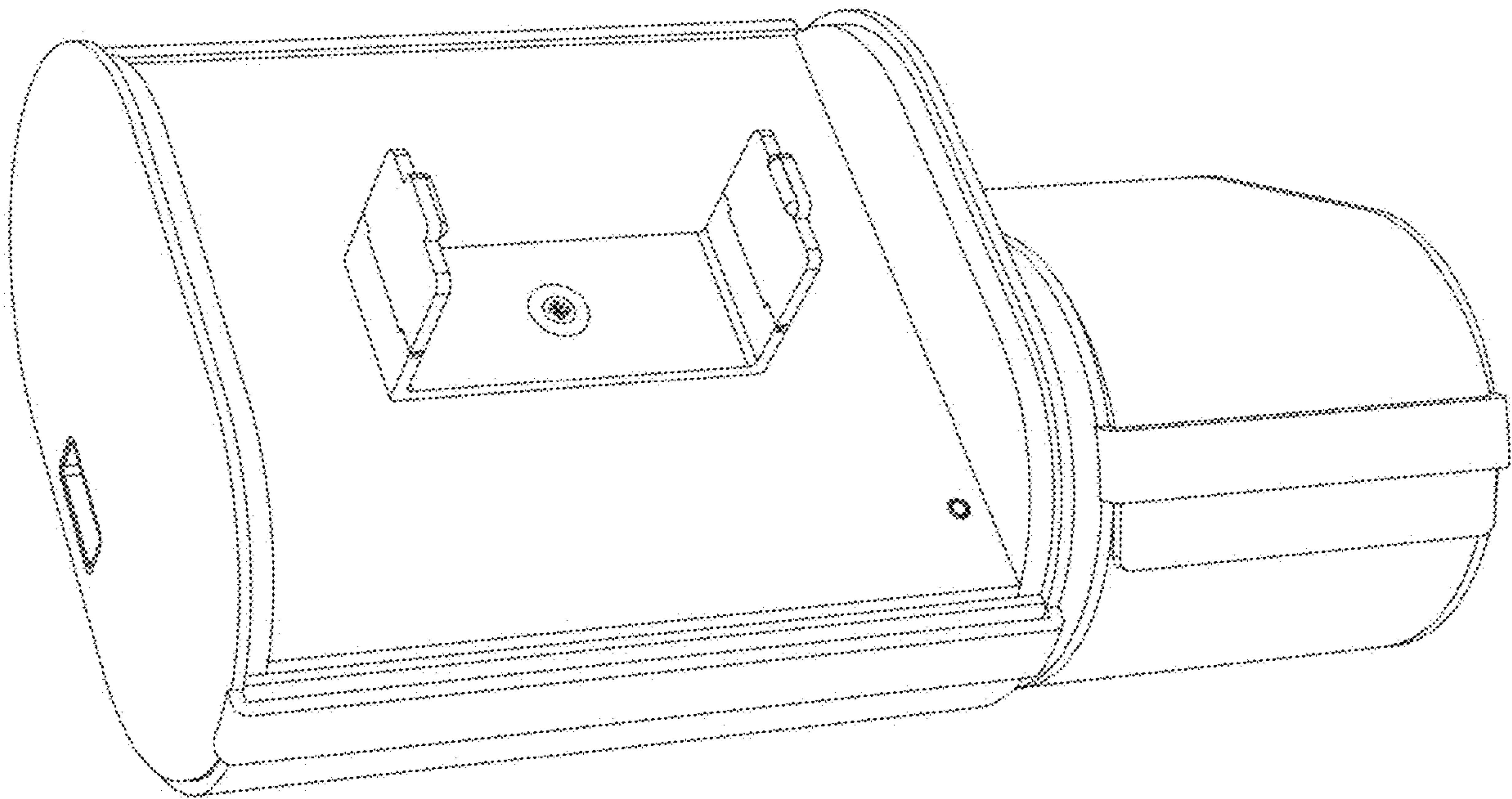
1.10



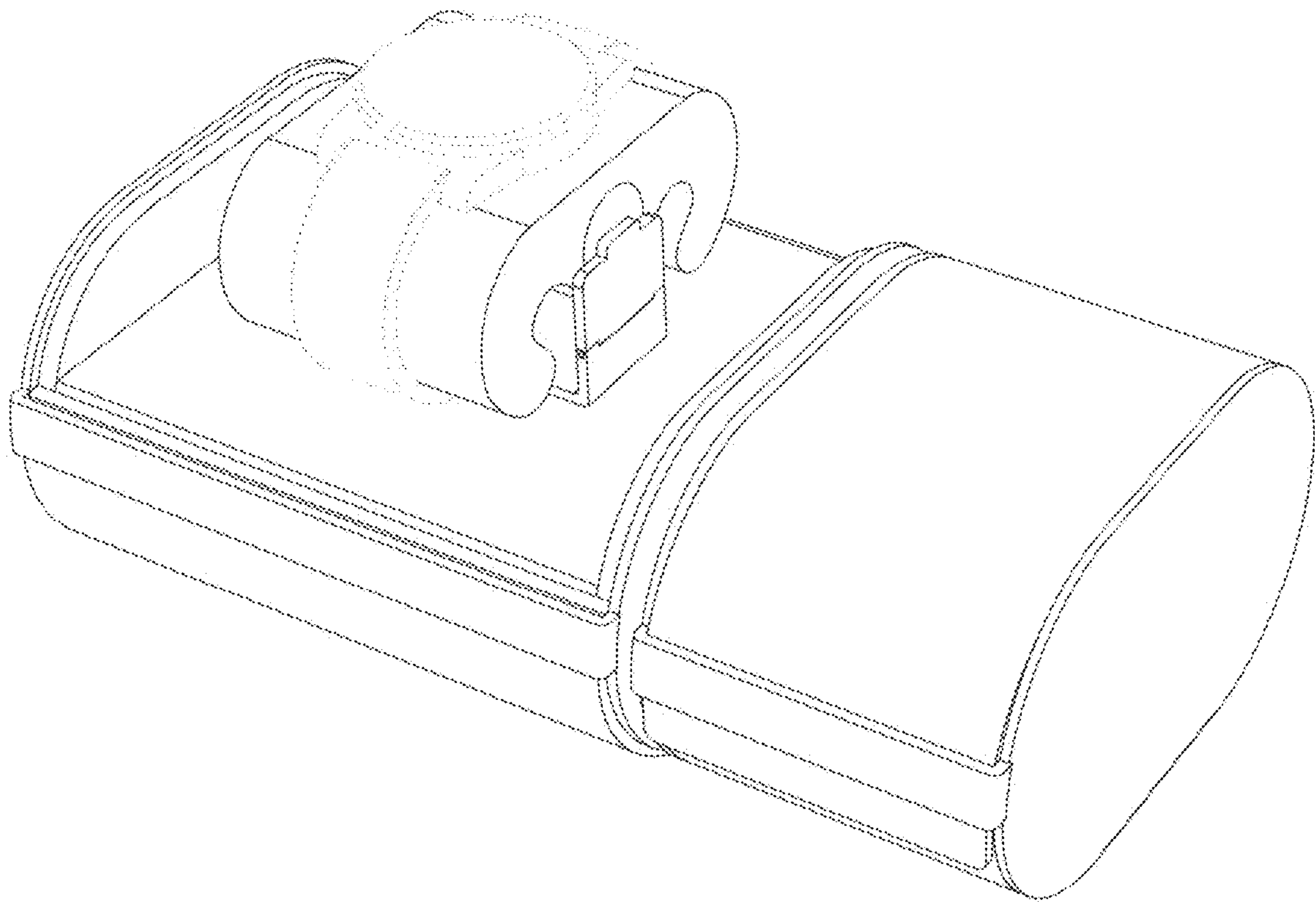
1.11



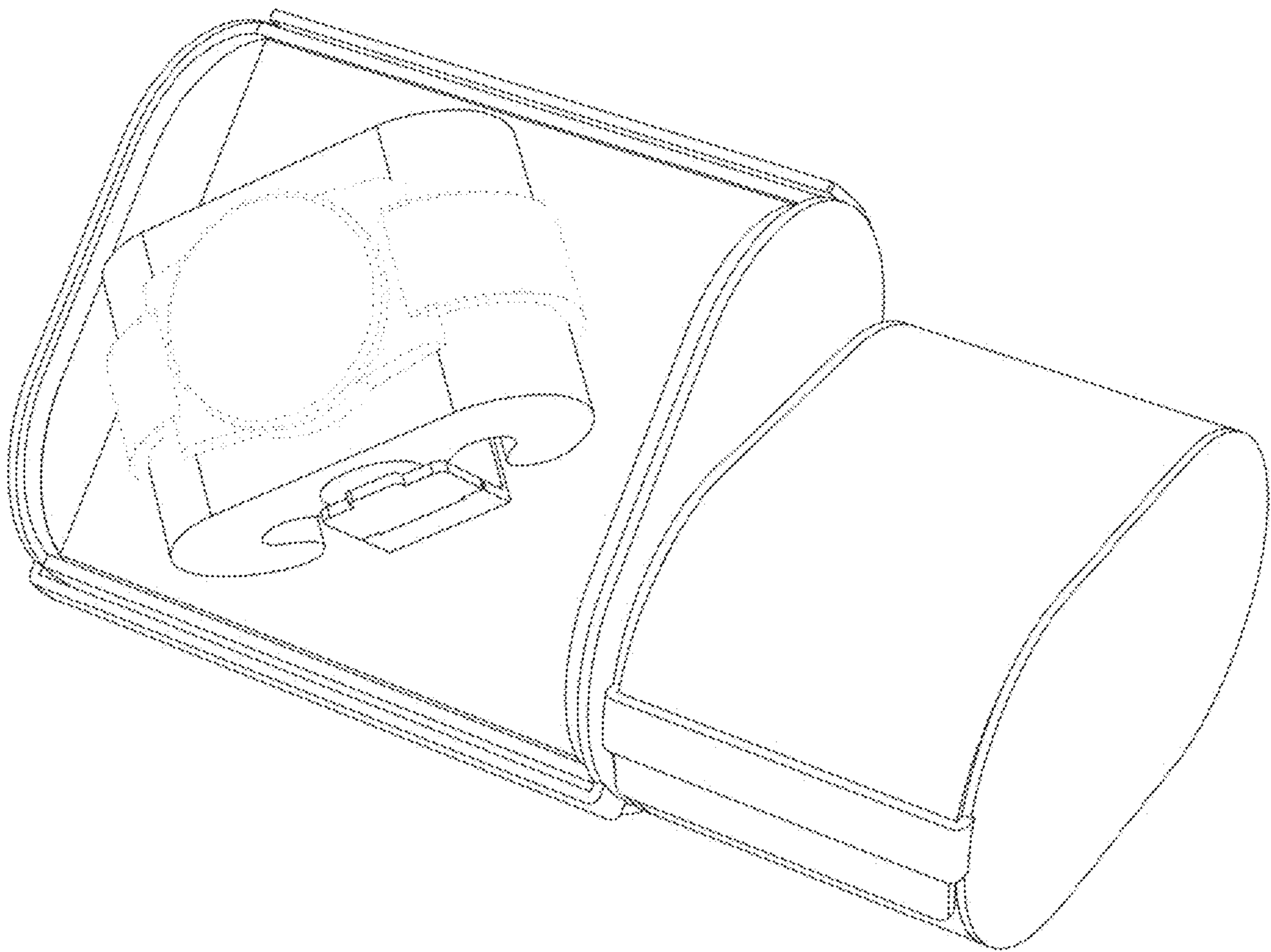
1.12



1.13



1.14



1.15

