



US00D901164S

(12) **United States Design Patent** (10) **Patent No.:** **US D901,164 S**  
**Shur-Rumbaugh** (45) **Date of Patent:** **\*\* Nov. 10, 2020**

(54) **GOLF UMBRELLA**  
(71) Applicant: **Lauren Shur-Rumbaugh**, Long Beach, CA (US)  
(72) Inventor: **Lauren Shur-Rumbaugh**, Long Beach, CA (US)  
(\*\*) Term: **15 Years**  
(21) Appl. No.: **29/669,625**  
(22) Filed: **Nov. 9, 2018**  
(51) **LOC (12) Cl.** ..... **03-03**  
(52) **U.S. Cl.**  
USPC ..... **D3/10**  
(58) **Field of Classification Search**  
USPC ..... D3/5, 6, 10, 17, 201, 202; D6/672, 681, D6/681.1, 681.2, 712; D11/143, 181, 182  
CPC ..... A45B 25/00; A45B 2023/0012; A45B 2200/109; A45B 11/00; E04H 12/22; E04H 12/2215; E04H 17/08  
See application file for complete search history.

D549,525 S \* 8/2007 Kozel ..... D7/620  
D554,478 S \* 11/2007 Robinson ..... D8/356  
D566,480 S \* 4/2008 Lawler ..... D7/620  
D574,670 S \* 8/2008 Grady ..... D6/681.2  
D605,872 S \* 12/2009 Gharst ..... D6/682.1  
D609,494 S \* 2/2010 Jenkins, Sr. .... D3/10  
D618,074 S \* 6/2010 Paetsch ..... D7/701  
8,191,562 B1 \* 6/2012 Sampson ..... A45B 19/04  
135/118  
D685,592 S \* 7/2013 Wright, III ..... D6/552  
D809,774 S \* 2/2018 Brady ..... D3/10  
D809,836 S \* 2/2018 Bailey ..... D6/681.2  
D840,672 S \* 2/2019 Nichols ..... D3/10  
10,309,580 B1 \* 6/2019 Baker ..... F16M 11/2035  
10,329,793 B2 \* 6/2019 Nelson ..... A01K 3/00

(Continued)

*Primary Examiner* — Steven J Czyz  
(74) *Attorney, Agent, or Firm* — Arc IP Law, PC; Joseph J. Mayo

(57) **CLAIM**

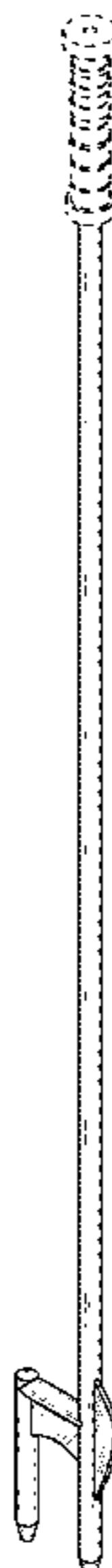
The ornamental design for a golf umbrella, as shown and described.

**DESCRIPTION**

FIG. 1 is an upper perspective view of a golf umbrella.  
FIG. 2 is a lower perspective view of the golf umbrella as shown in FIG. 1.  
FIG. 3 is a left side of the golf umbrella as shown in FIG. 1.  
FIG. 4 is a right side view of the golf umbrella as shown in FIG. 1.  
FIG. 5 is a front view of the golf umbrella as shown in FIG. 1, of which the rear view is a mirror image.  
FIG. 6 is a top view of the golf umbrella as shown in FIG. 1; and,  
FIG. 7 is a bottom view of the golf umbrella as shown in FIG. 1.  
The broken lines shown in the figures depict portions of the article that form no part of the claimed design.

**1 Claim, 6 Drawing Sheets**

(56) **References Cited**  
U.S. PATENT DOCUMENTS  
2,506,321 A \* 5/1950 Vosburgh ..... A45F 3/44  
248/153  
D271,920 S \* 12/1983 Sanker ..... D6/681.1  
D394,300 S \* 5/1998 Samuels ..... D22/147  
6,015,122 A \* 1/2000 Qui ..... G09F 17/00  
248/156  
6,490,823 B1 \* 12/2002 Ibarra ..... A01K 97/10  
248/512  
D476,168 S \* 6/2003 Forrest ..... D6/681.2  
6,575,417 B1 \* 6/2003 Krommenakker .....  
A47G 23/0225  
248/151  
D492,379 S \* 6/2004 Miavitz ..... D21/796  
6,948,694 B1 \* 9/2005 Gilbert ..... F41B 5/14  
124/23.1  
D518,390 S \* 4/2006 Poffenberger ..... D10/46.1



(56)

**References Cited**

U.S. PATENT DOCUMENTS

2010/0200724 A1\* 8/2010 Kukuk ..... A45B 25/00  
248/530  
2015/0364067 A1\* 12/2015 Doria ..... G09F 17/00  
116/173

\* cited by examiner

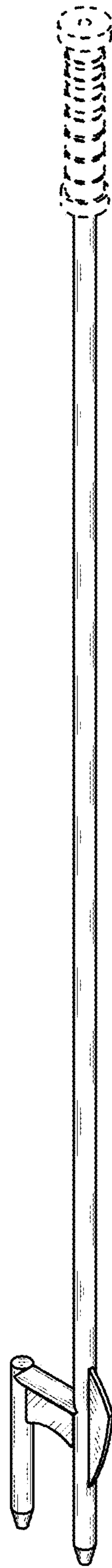


FIG. 1

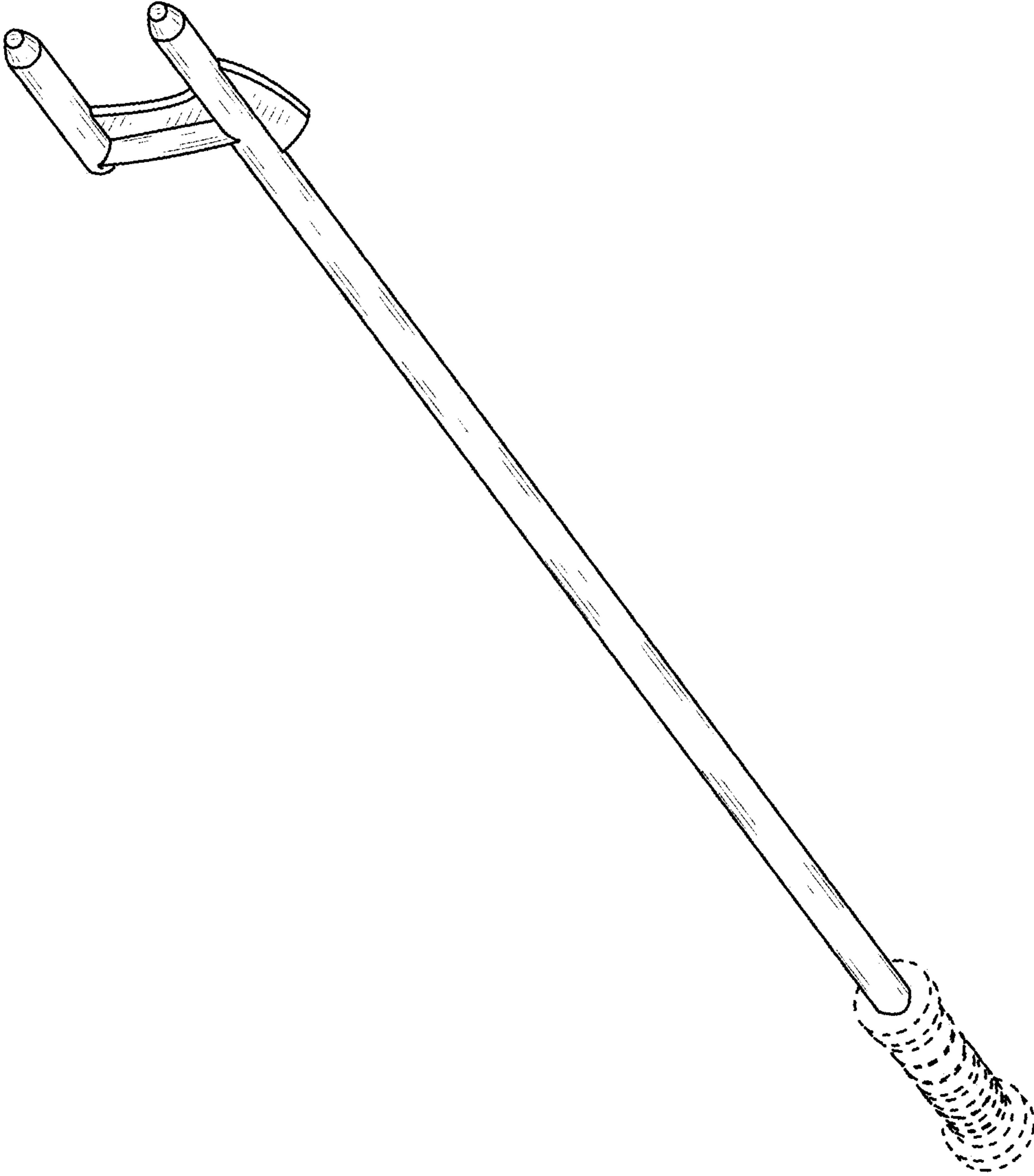


FIG. 2



FIG. 3



FIG. 4

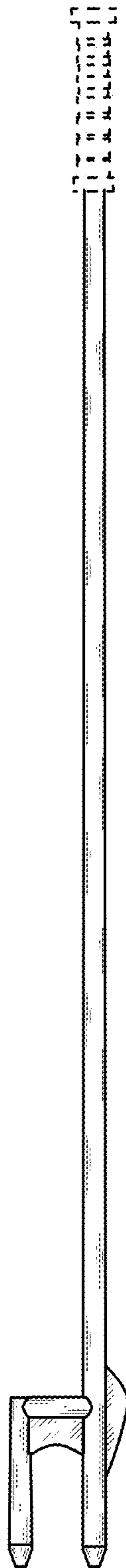


FIG. 5

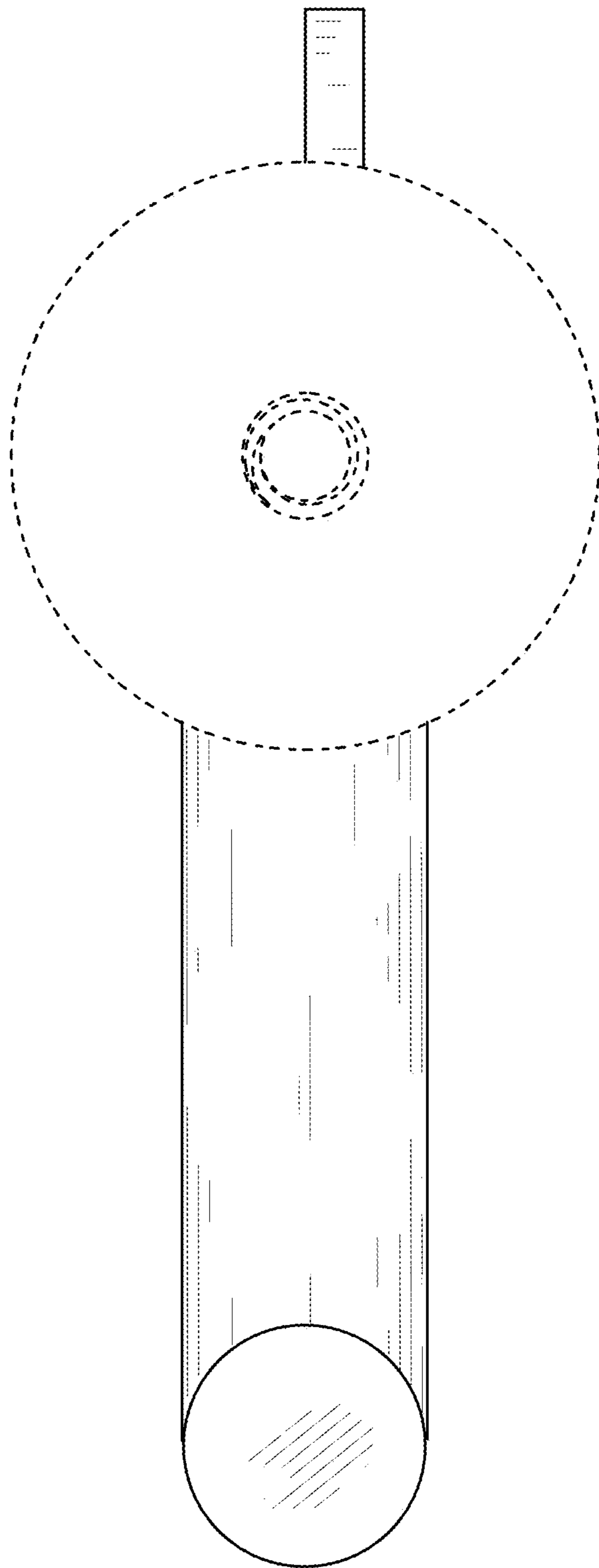


FIG. 6

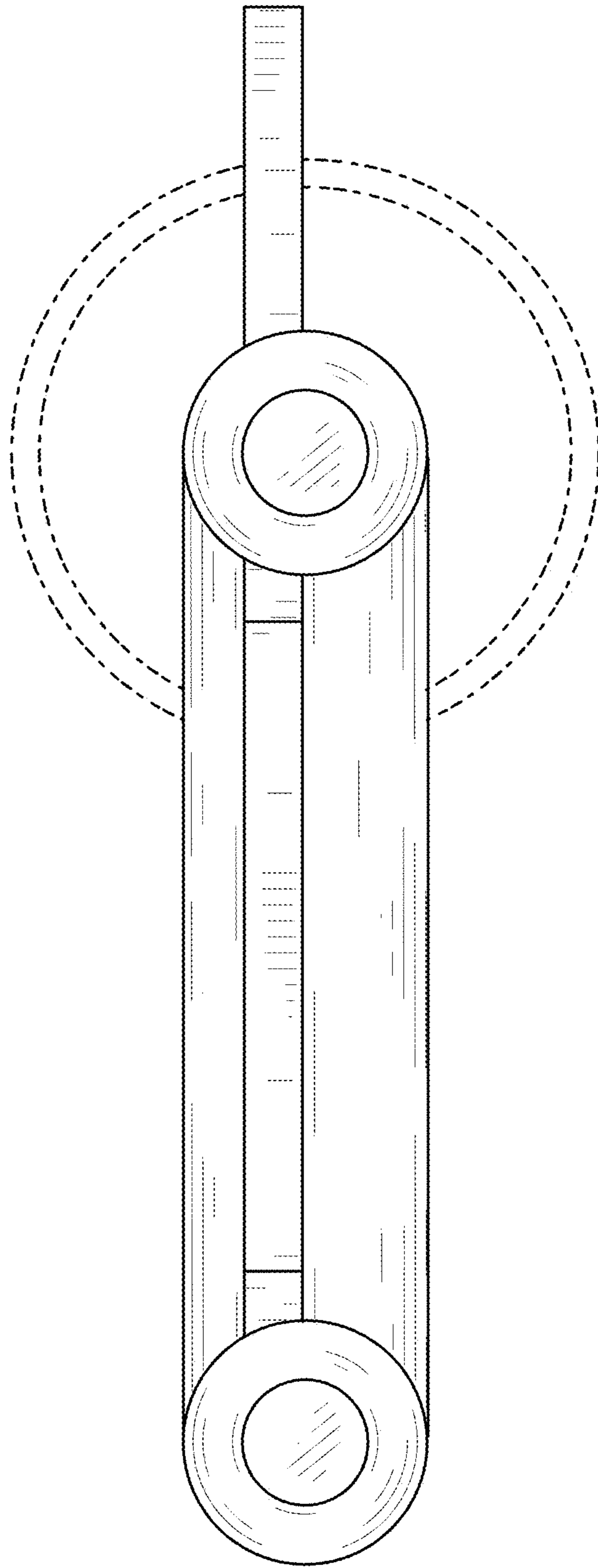


FIG. 7